

[54] HOLDER FOR SMALL ARTICLES

3,876,076 4/1975 Hazelhurst ..... 211/60.1

[76] Inventors: Eugene G. Gerry; Beatrice Gerry,  
both of 2021 Frantz Ave., La Habra,  
Calif. 90631

Primary Examiner—Wallace R. Burke  
Assistant Examiner—Brian N. Vinson  
Attorney, Agent, or Firm—Roy A. Ekstrand

[\*\*] Term: 14 Years

[57] CLAIM

[21] Appl. No.: 31,118

The ornamental design for a holder for small articles, as shown and described.

[22] Filed: Mar. 30, 1987

[52] U.S. Cl. .... D6/512; D6/547;  
D6/553; D6/467

DESCRIPTION

[58] Field of Search ..... D6/418, 458, 462, 466-467,  
D6/512, 552-553, 547, 554; D8/349, 373, 380;  
248/451; 211/13, 4, 7, 60.1, 65

FIG. 1 is a front elevational view of a holder for small articles showing our new design, the rear being a mirror image of that shown;

FIG. 2 is a top plan view thereof;

FIG. 3 is a bottom plan view thereof;

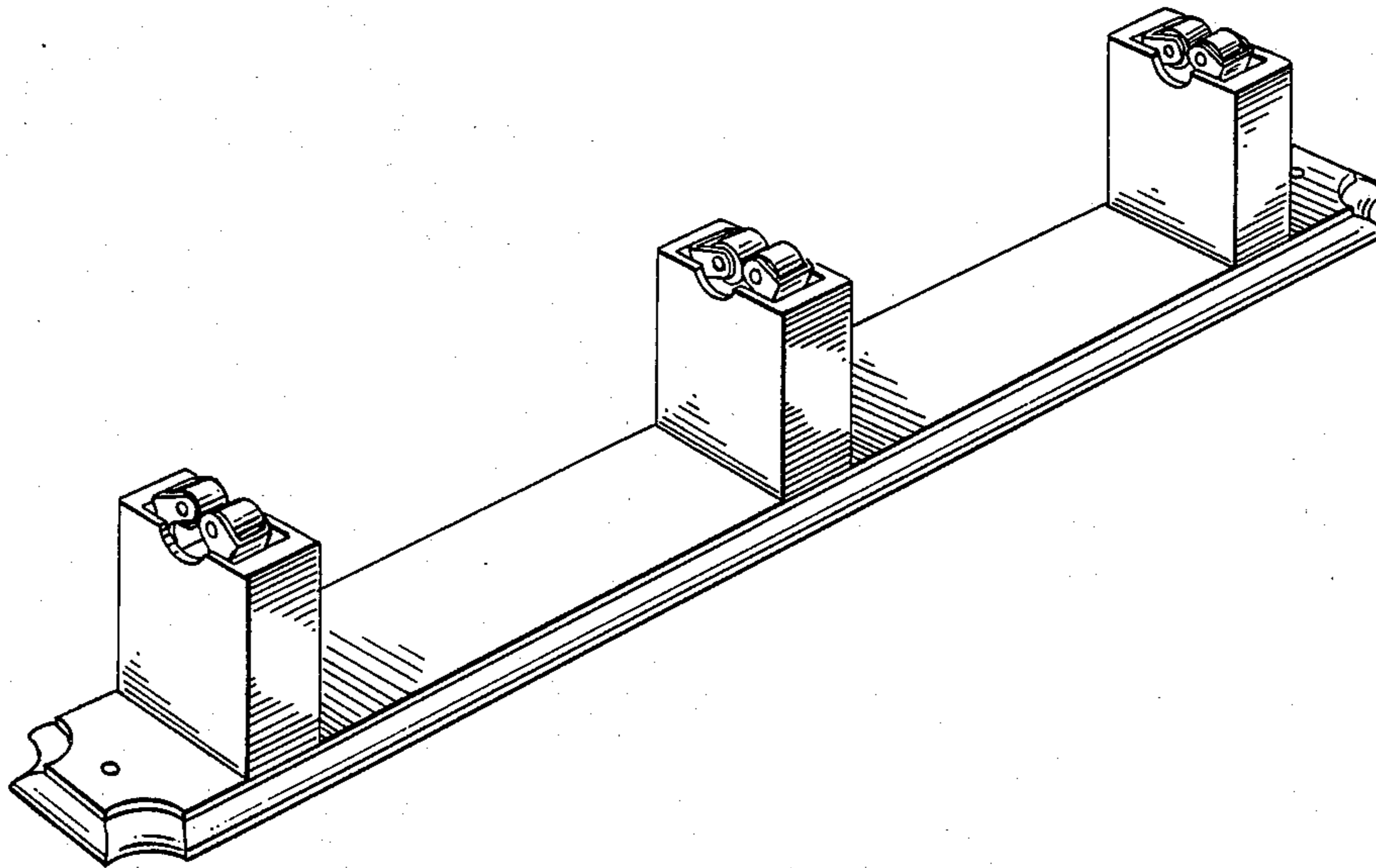
FIG. 4 is a side elevational view thereof, the opposite side being a mirror image of that shown; and,

FIG. 5 is a top, front and side perspective view of an alternate embodiment thereof, the only difference residing in the clamp members being rotated ninety degrees.

[56] References Cited

U.S. PATENT DOCUMENTS

- D. 175,455 8/1955 Bartleman ..... D8/373 X
- D. 241,709 10/1976 Bouche ..... D8/356
- D. 272,785 2/1984 Rumbaugh ..... D8/380 X



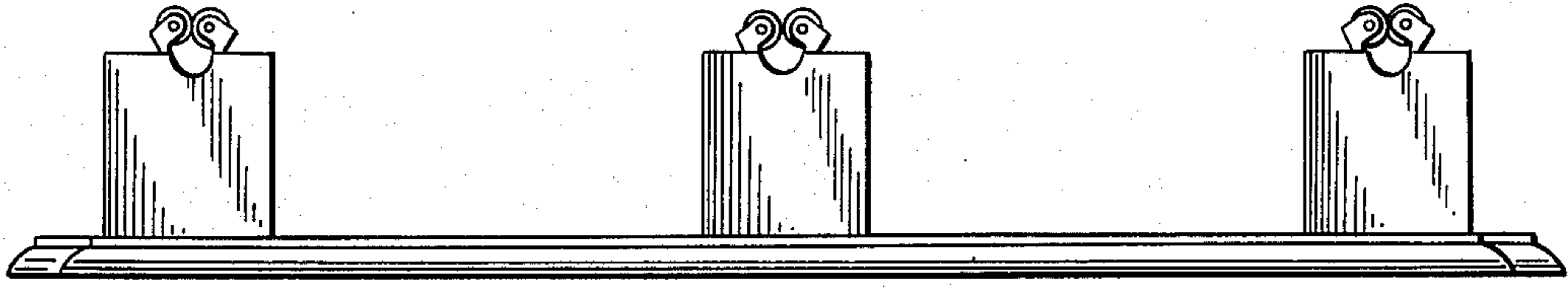


FIG. 1

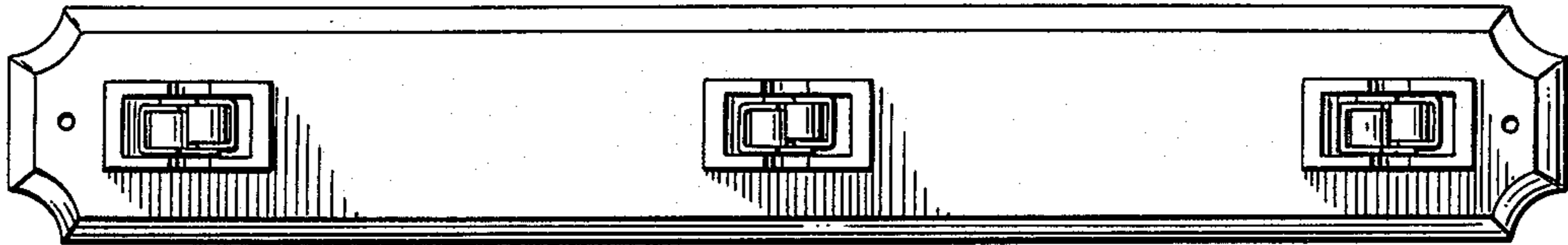


FIG. 2

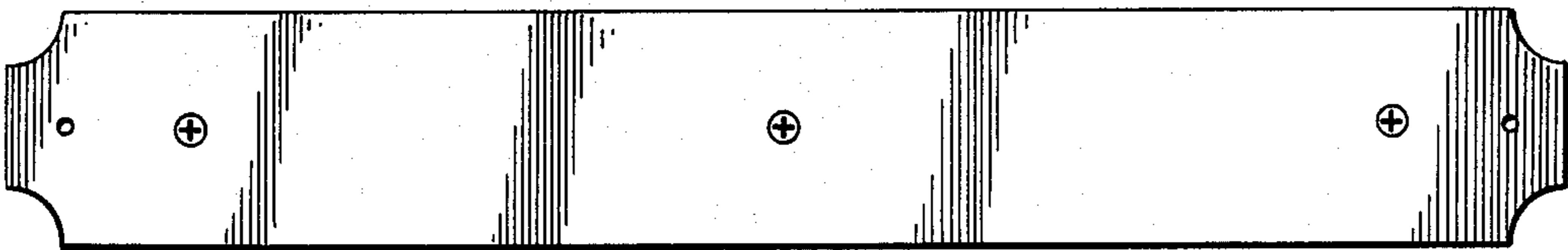


FIG. 3

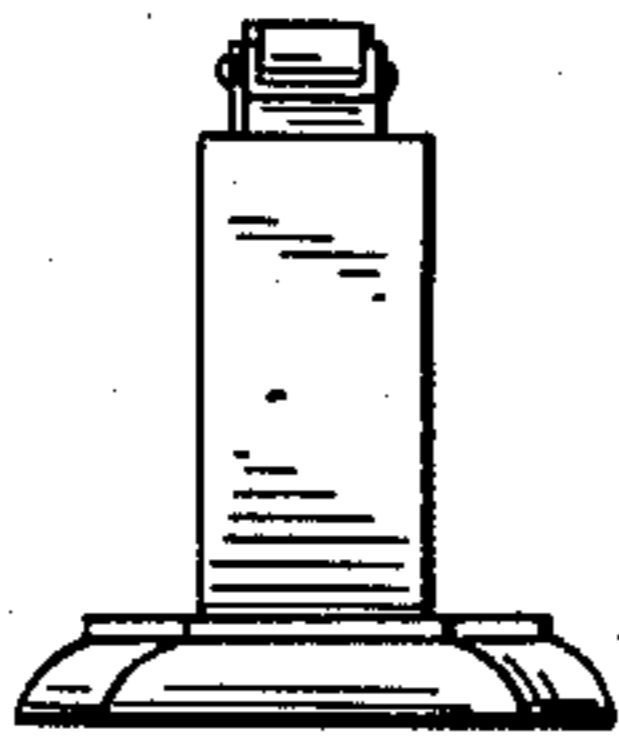


FIG. 4

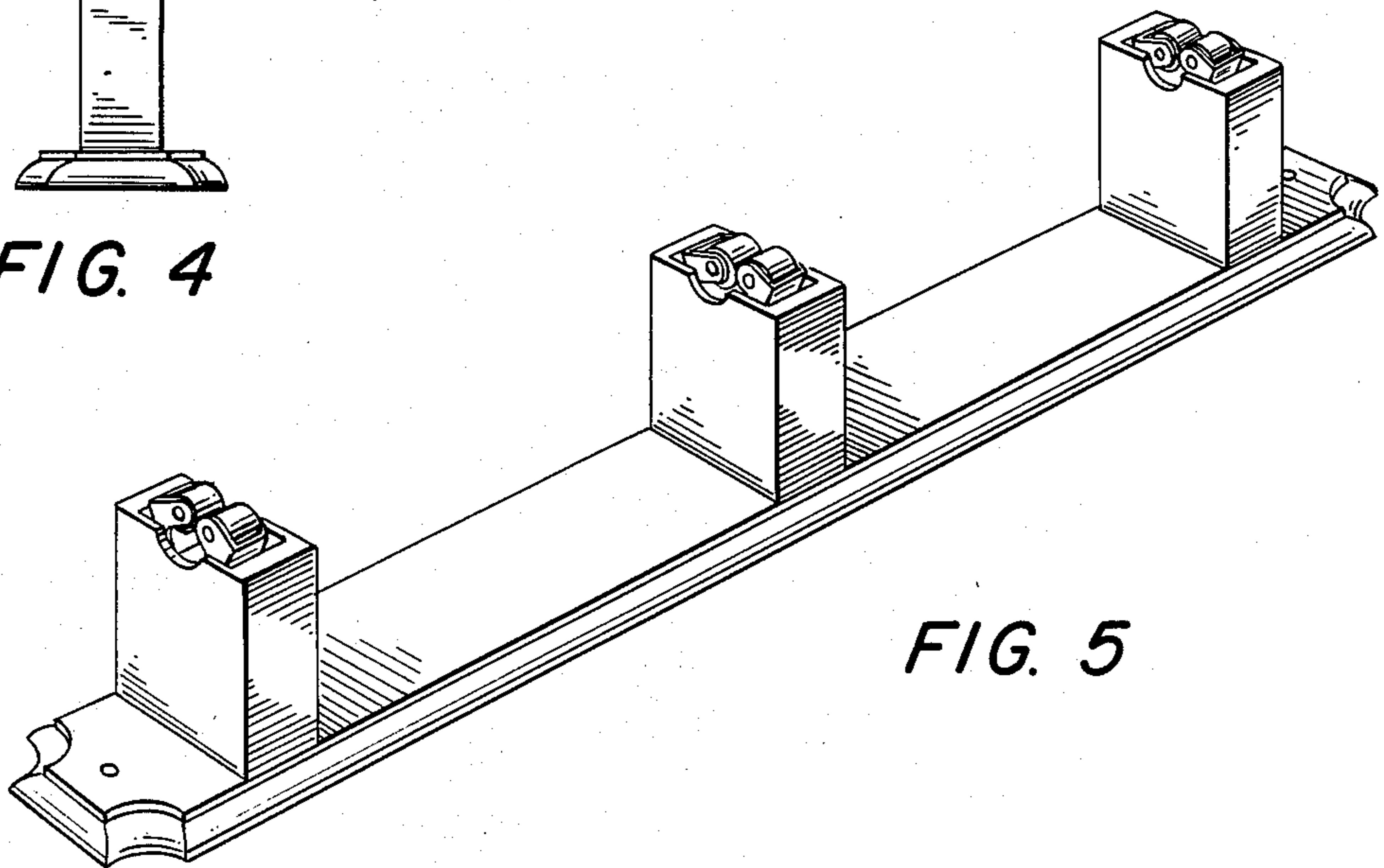


FIG. 5