

[54] TABLET

[75] Inventors: Henry A. Miller, Lake Hopatcong; Michael R. Harris, Hackettstown; Frank Goodhart, Mendham; Mahdi B. Fawzi, Flanders, all of N.J.

[73] Assignee: Warner-Lambert Company, Morris Plains, N.J.

[**] Term: 14 Years

[21] Appl. No.: 111,525

[22] Filed: Oct. 21, 1987

[52] U.S. Cl. D28/2; D28/8.1

[58] Field of Search D28/1, 2, 3, 8.1, 8.2; 424/464, 465, 466, 467, 468, 472, 473, 474; 426/97, 98; 252/92; D1/100, 106, 112, 121, 127, 128, 129, 199

[56]

References Cited

U.S. PATENT DOCUMENTS

D. 283,739	5/1986	Tovey	D28/2
D. 285,490	9/1986	Tovey	D28/2
D. 285,729	9/1986	Tovey	D28/2

Primary Examiner—Wallace R. Burke

Assistant Examiner—Kay H. Chin

Attorney, Agent, or Firm—Ronald A. Daignault

[57]

CLAIM

The ornamental design for a tablet, as shown and described.

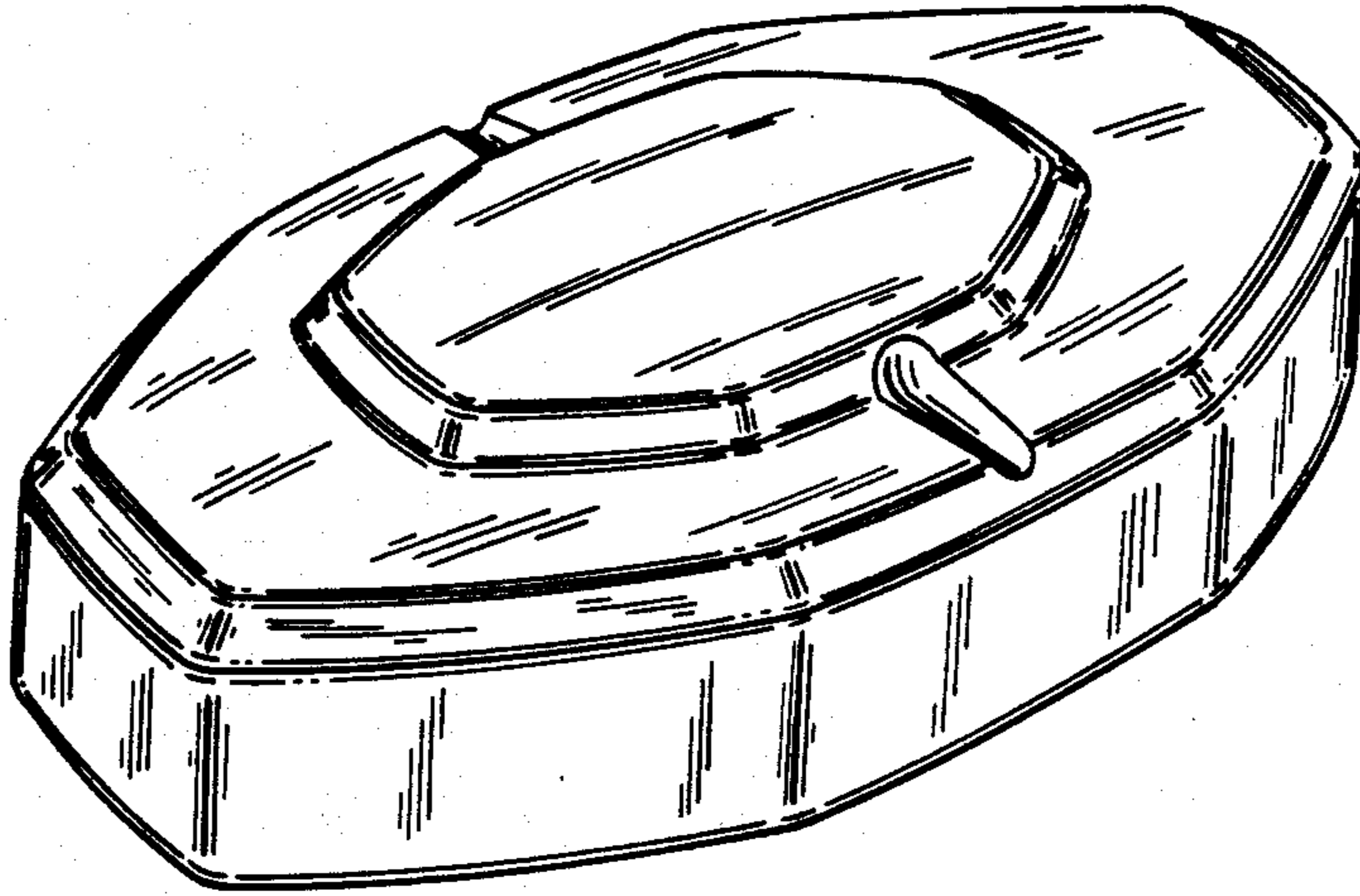
DESCRIPTION

FIG. 1 is an enlarged top perspective view of a tablet showing our new design;

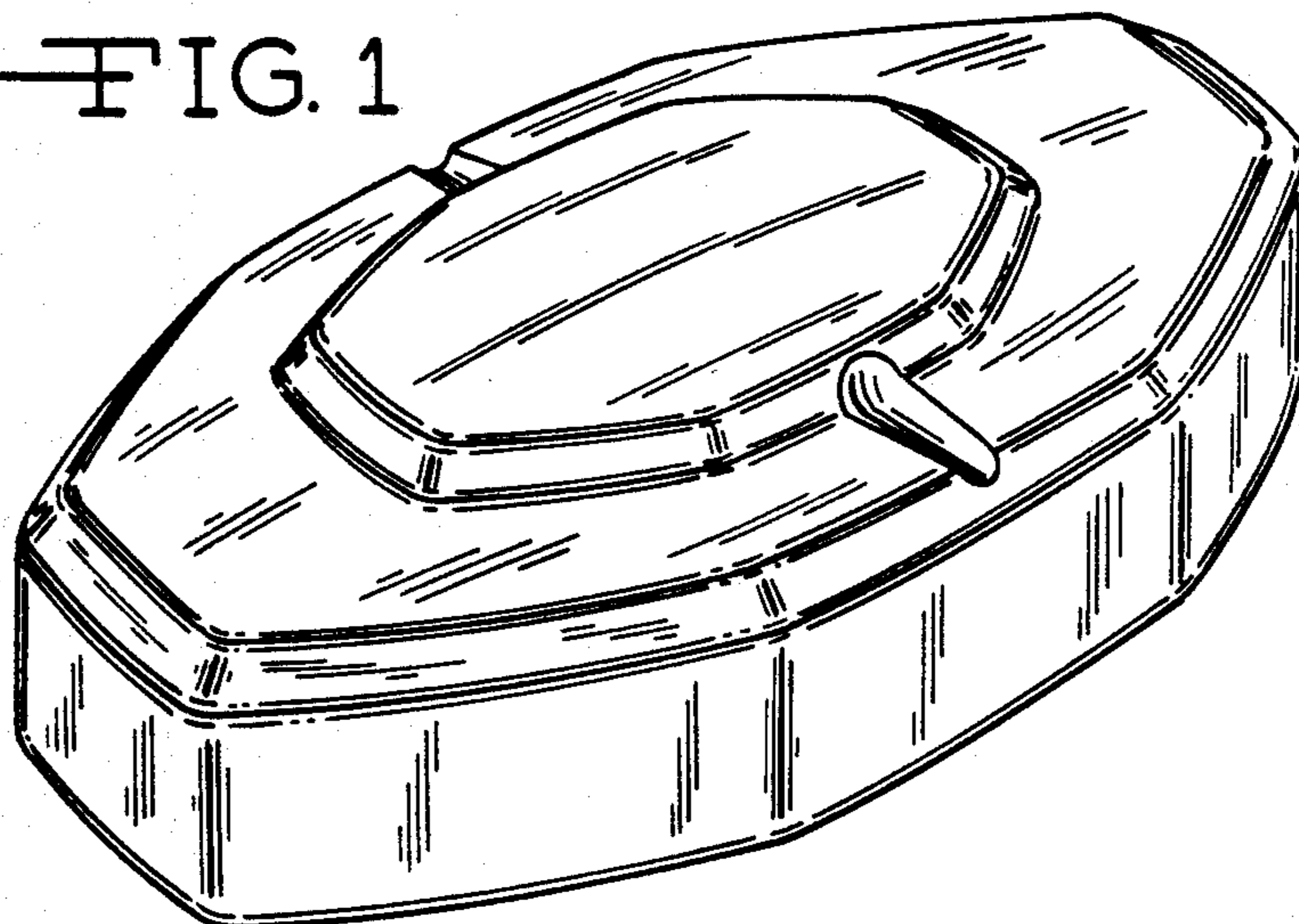
FIG. 2 is a right side elevational view, left side being identical thereto;

FIG. 3 is a top plan view, the bottom plan view being identical therewith;

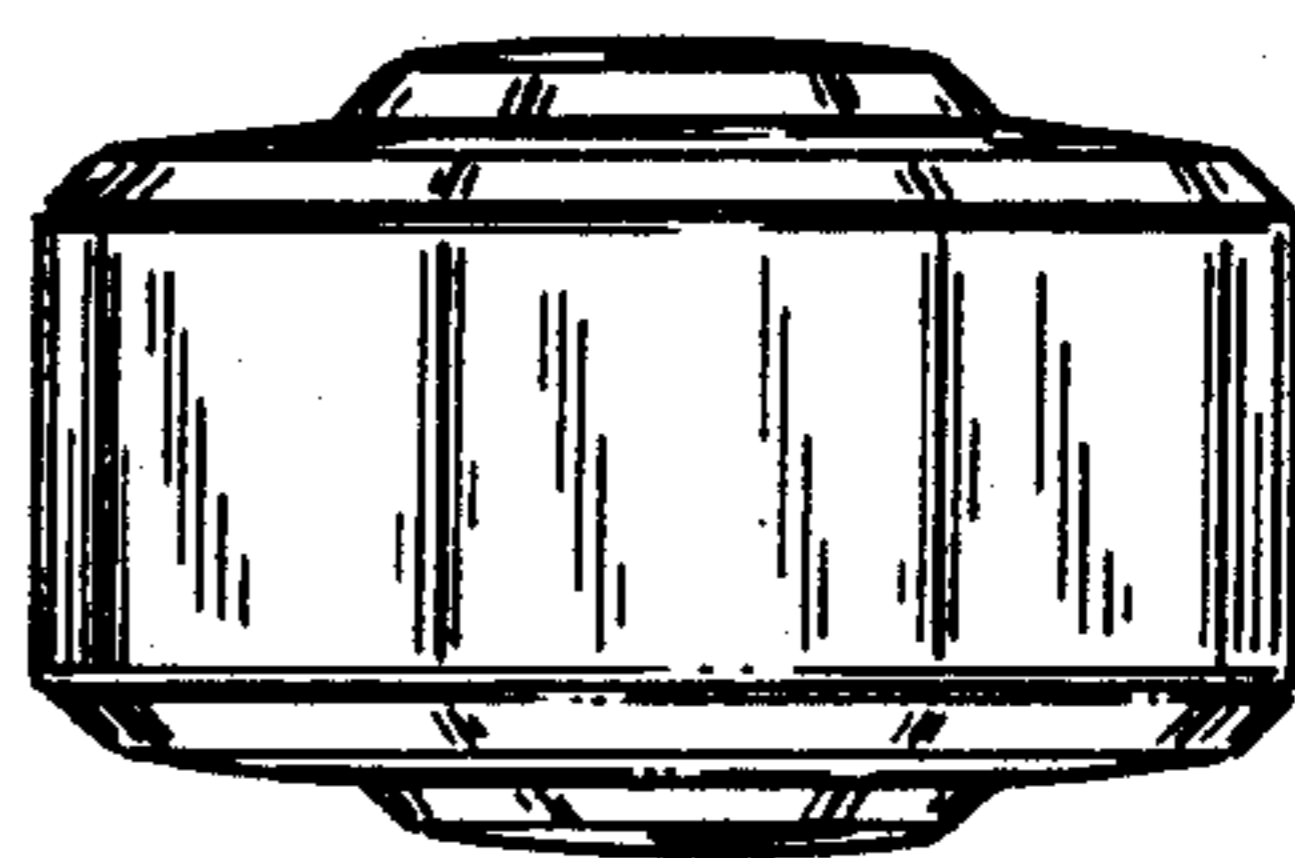
FIG. 4 is a front elevational view, the rear elevation being identical thereto;



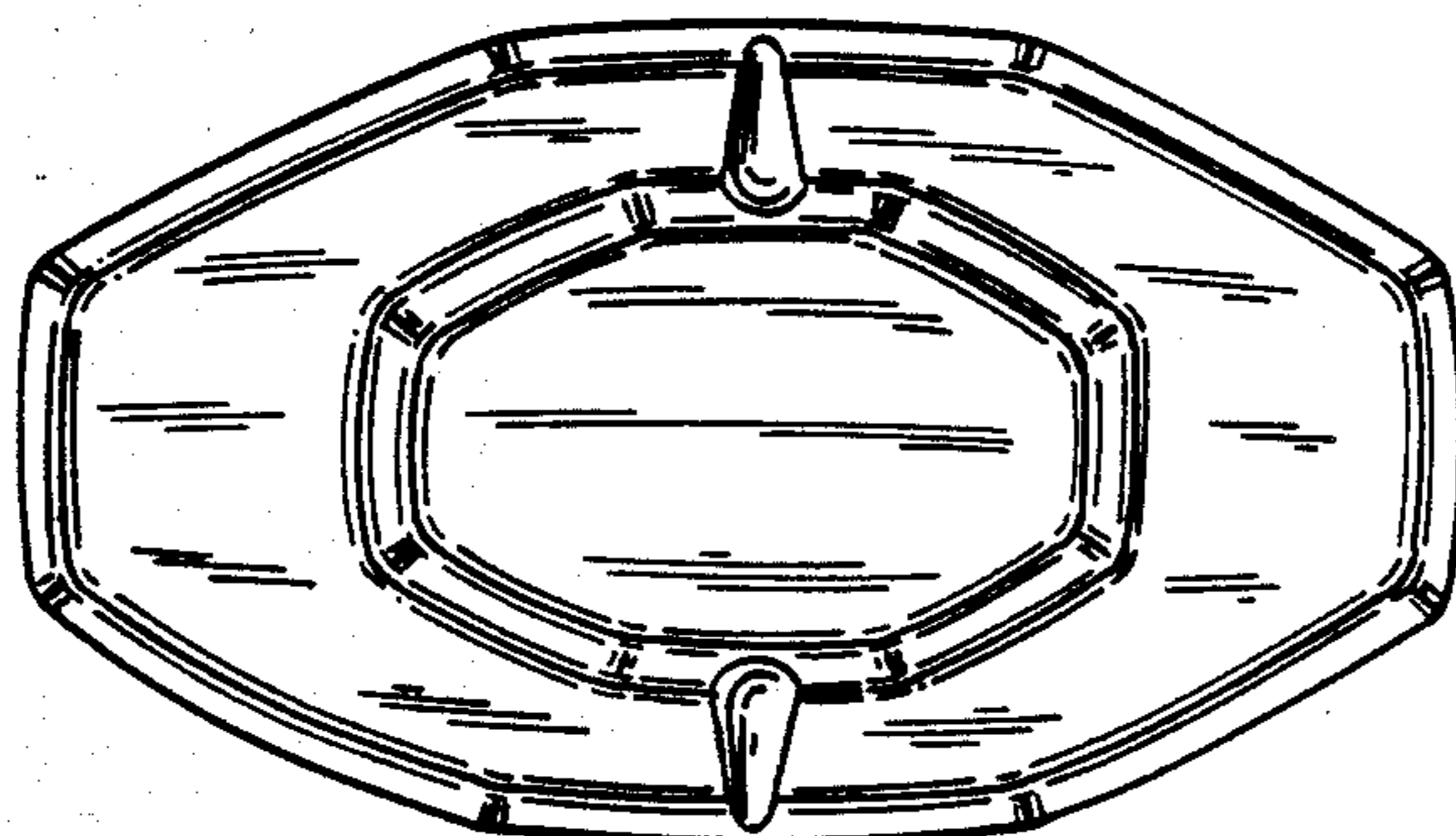
—FIG. 1



—FIG. 2



—FIG. 3



—FIG. 4

