

[54] LIGHT FIXTURE

[75] Inventor: Robert E. Bohler, Aurora, Ill.

[73] Assignee: St. Joe Lighting, Inc., Batavia, Ill.

[*] Notice: The portion of the term of this patent subsequent to Jul. 25, 2003 has been disclaimed.

[**] Term: 14 Years

[21] Appl. No.: 926,381

[22] Filed: Oct. 31, 1986

[52] U.S. Cl. D26/81

[58] Field of Search D26/72, 80-92; 362/806, 404-408, 147, 362, 363

[56] References Cited

U.S. PATENT DOCUMENTS

D. 69,472	2/1926	Balk .	
D. 76,367	9/1928	Aspinwall .	
D. 77,136	12/1928	Villaret .	
D. 242,064	10/1976	Glassman	D26/82
D. 252,350	7/1979	Glassman	D26/05
D. 252,351	7/1979	Glassman	D26/05
D. 252,531	7/1979	Glassman	D26/5
D. 253,308	10/1979	Glassman	D26/81
D. 293,483	12/1987	Glassman	D26/81
1,587,330	1/1929	Kahns et al. .	
3,582,643	6/1971	Heise	240/108
3,831,022	8/1974	Porter et al.	240/78 F
4,477,866	10/1984	Goralnik	326/427

OTHER PUBLICATIONS

Norwell Hand Crafted Lighting Catalog, 1981, p. 83 Chandelier K-21/H.
Thomas Lighting Catalog, # M-177 ©1980, inside

front cover, Chandelier M-2467; p. 44; Chandelier M-2110.

Nulco Manufacturing Corp. Catalog, No. 10, pp. 62-67, 75-77 and 95.

Hinkley Lighting Catalog No. 84R, pp. 6, 40 and 42.

Hi-Lite Mfg. Co., Inc. Catalog, p. 44.

Lighting from World Imports Catalog Number Nine, pp. 4-7.

World Imports Supplement #12, pp. 5-7.

Progress Lighting Ideas Book, Catalog 118, pp. 62, 63, and 66 (1985).

Progress Lighting Ideas Book 116 pp. 45 and 48 (1980).

Progress Lighting Ideas Book 115, p. 46 (1978).

Primary Examiner—Susan J. Lucas

[57] CLAIM

The ornamental design for a light fixture, as shown and described.

DESCRIPTION

FIG. 1 is an elevational view of a light fixture showing my new design;

FIG. 2 is a top plan view thereof;

FIG. 3 is a bottom plan view thereof;

FIG. 4 is a cross-sectional view thereof as taken along line 4-4 of FIG. 2;

FIG. 5 is a greatly enlarged cross-sectional view thereof as taken along line 5-5 of FIG. 1;

FIG. 6 is an elevational view of a second embodiment of my new design;

FIG. 7 is a bottom plan view thereof;

FIG. 8 is a cross-sectional view thereof as taken along line 8-8 of FIG. 7.

The chain is shown in broken lines for illustrative purposes only.

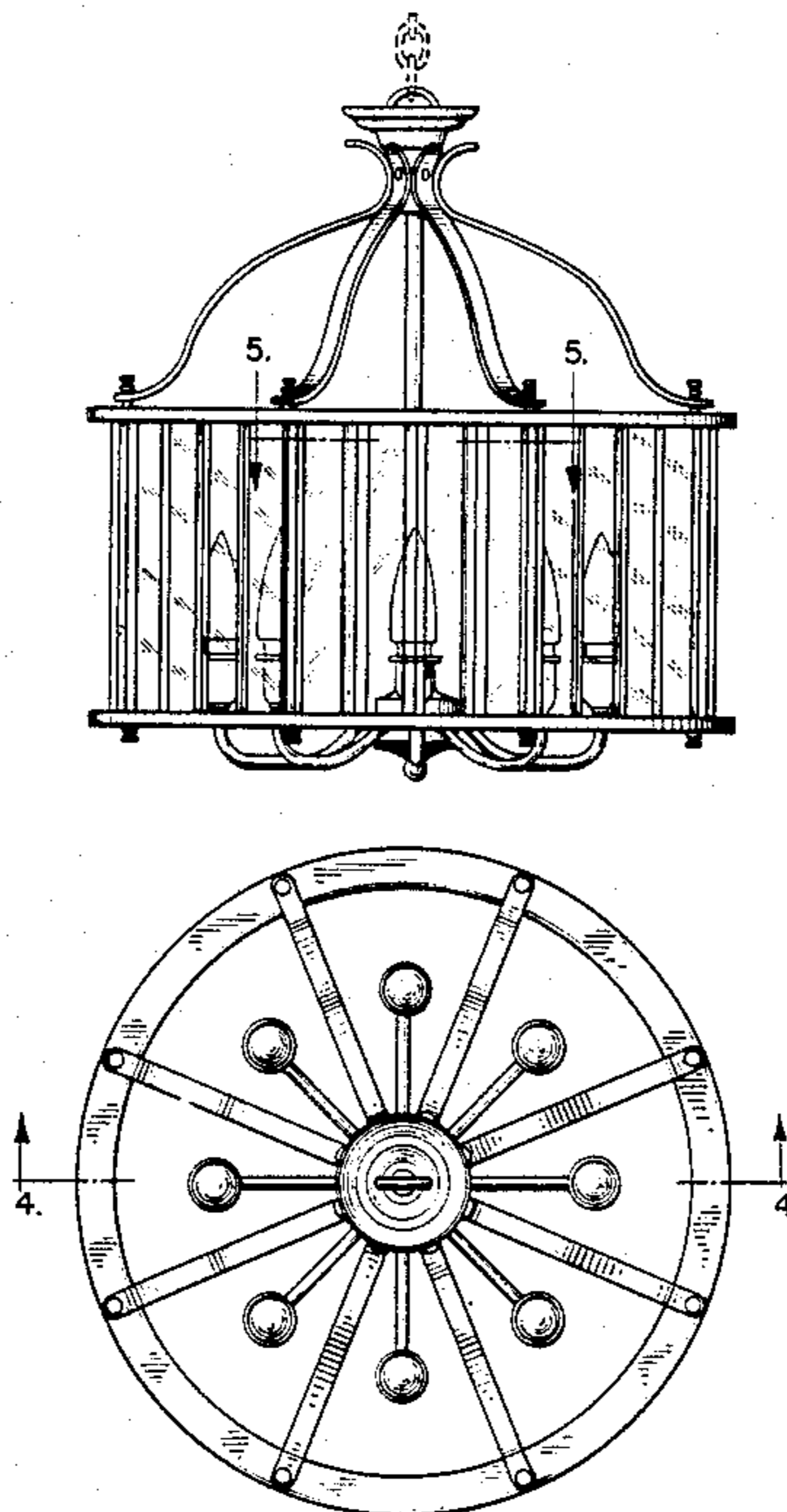


FIG. 1

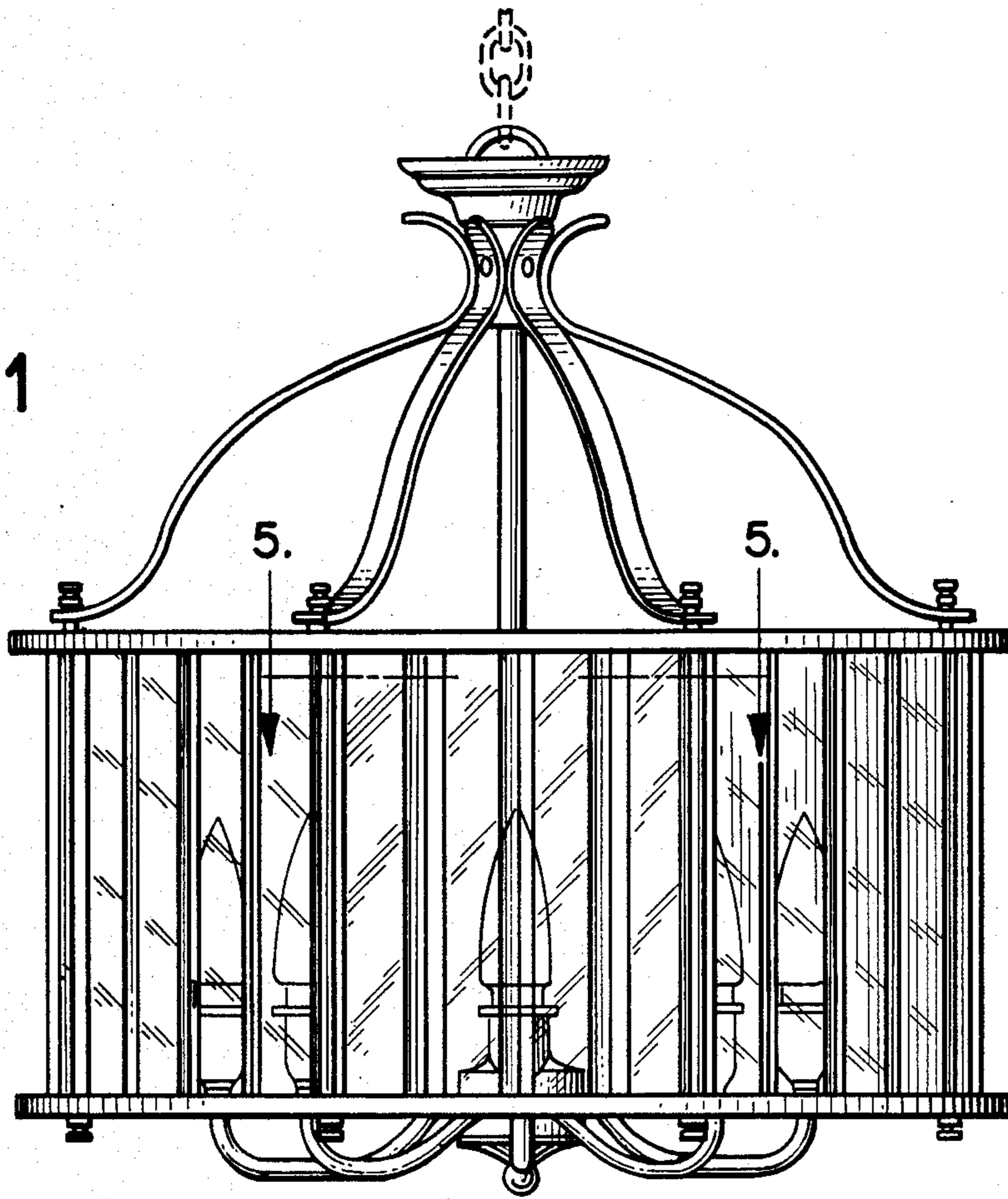


FIG. 2

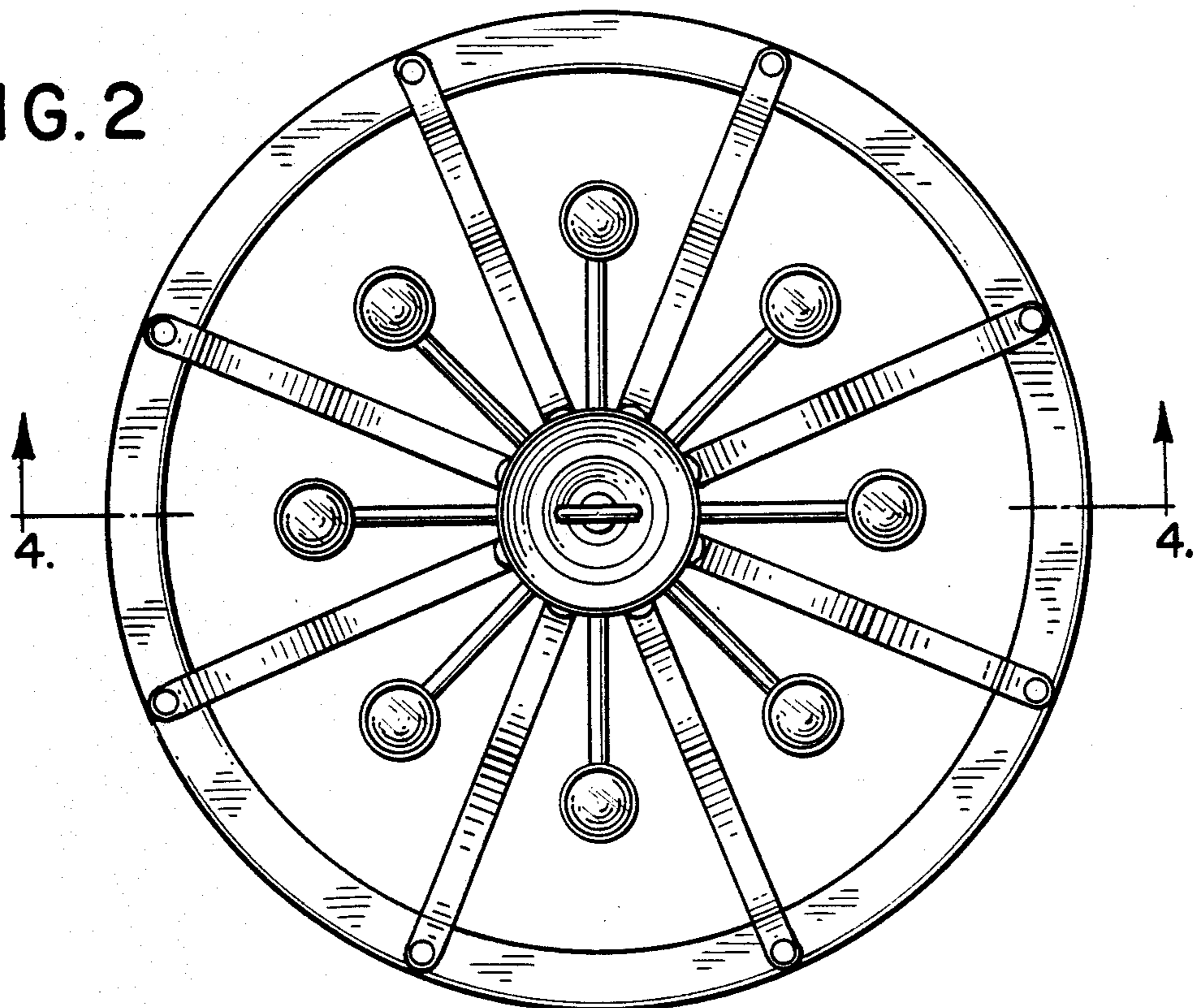


FIG. 3

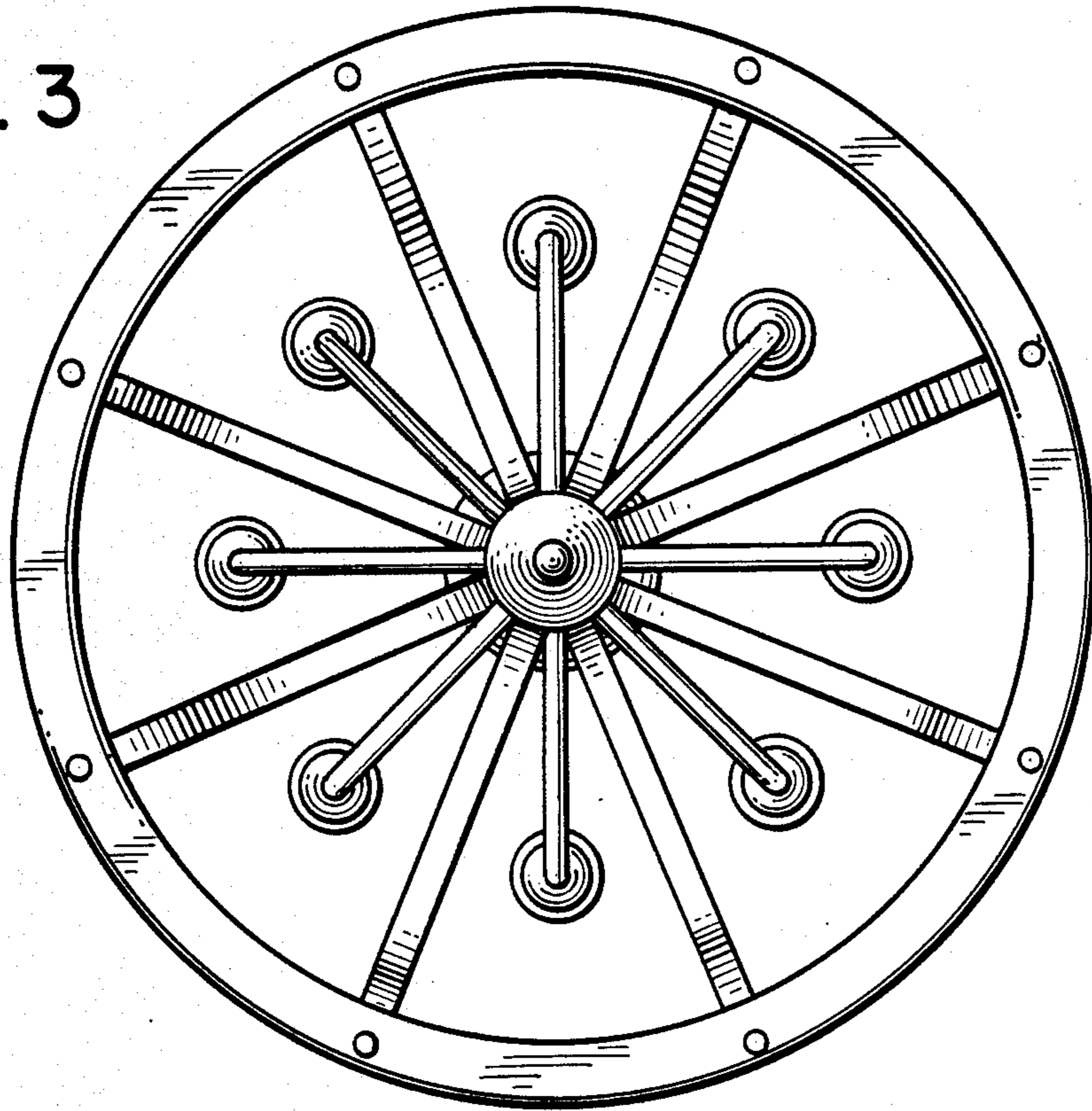


FIG. 6

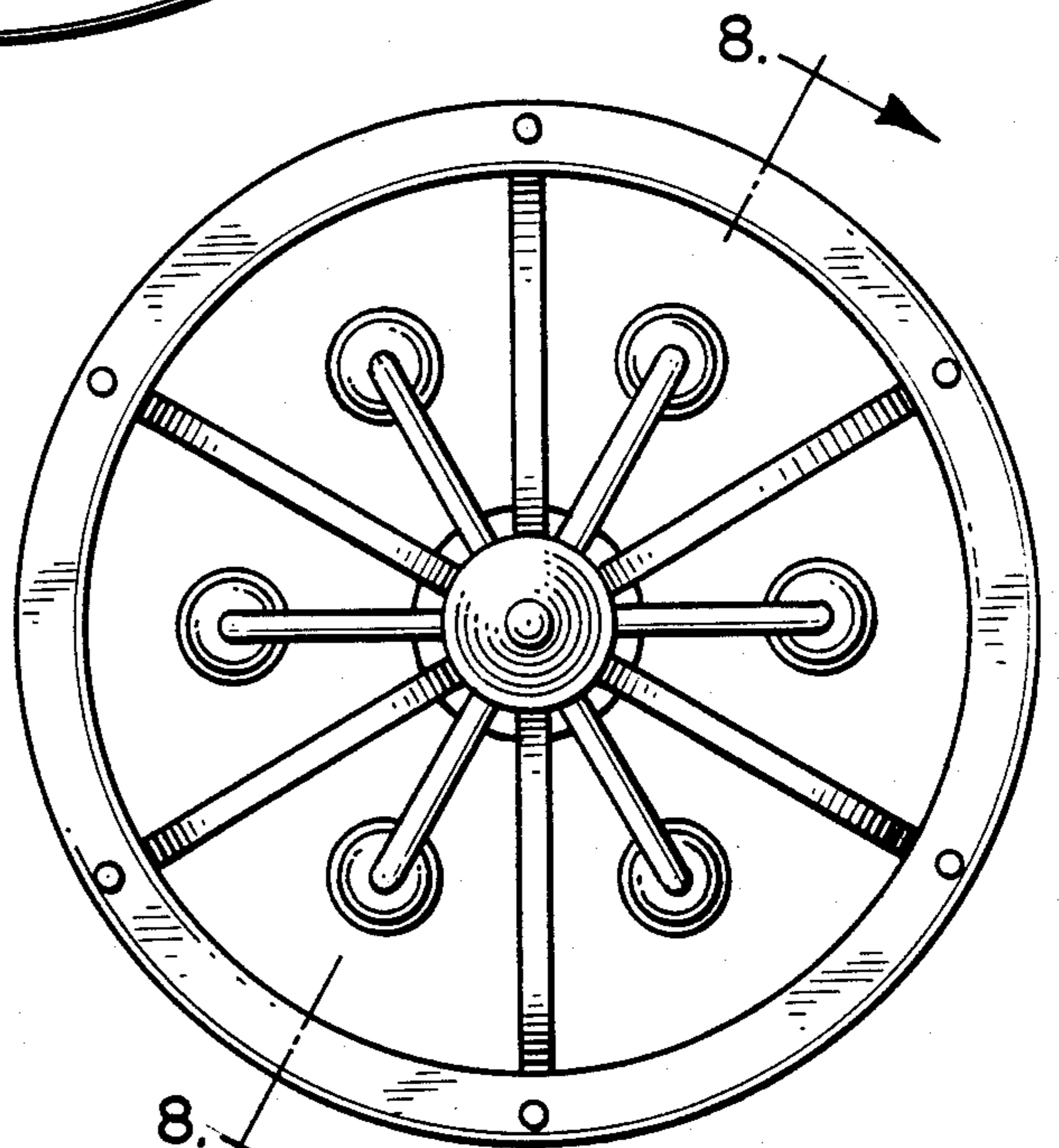
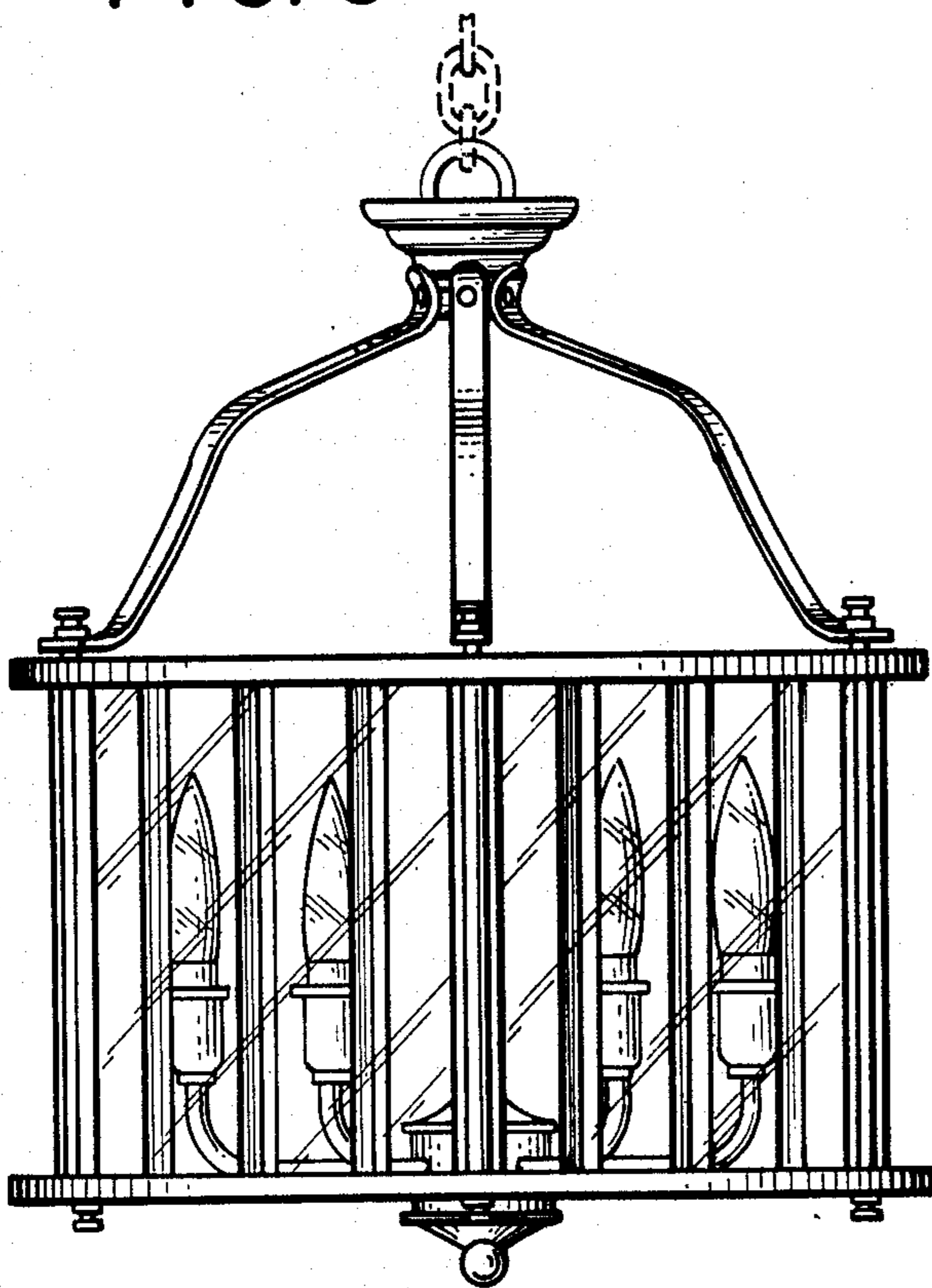


FIG. 7

FIG. 4

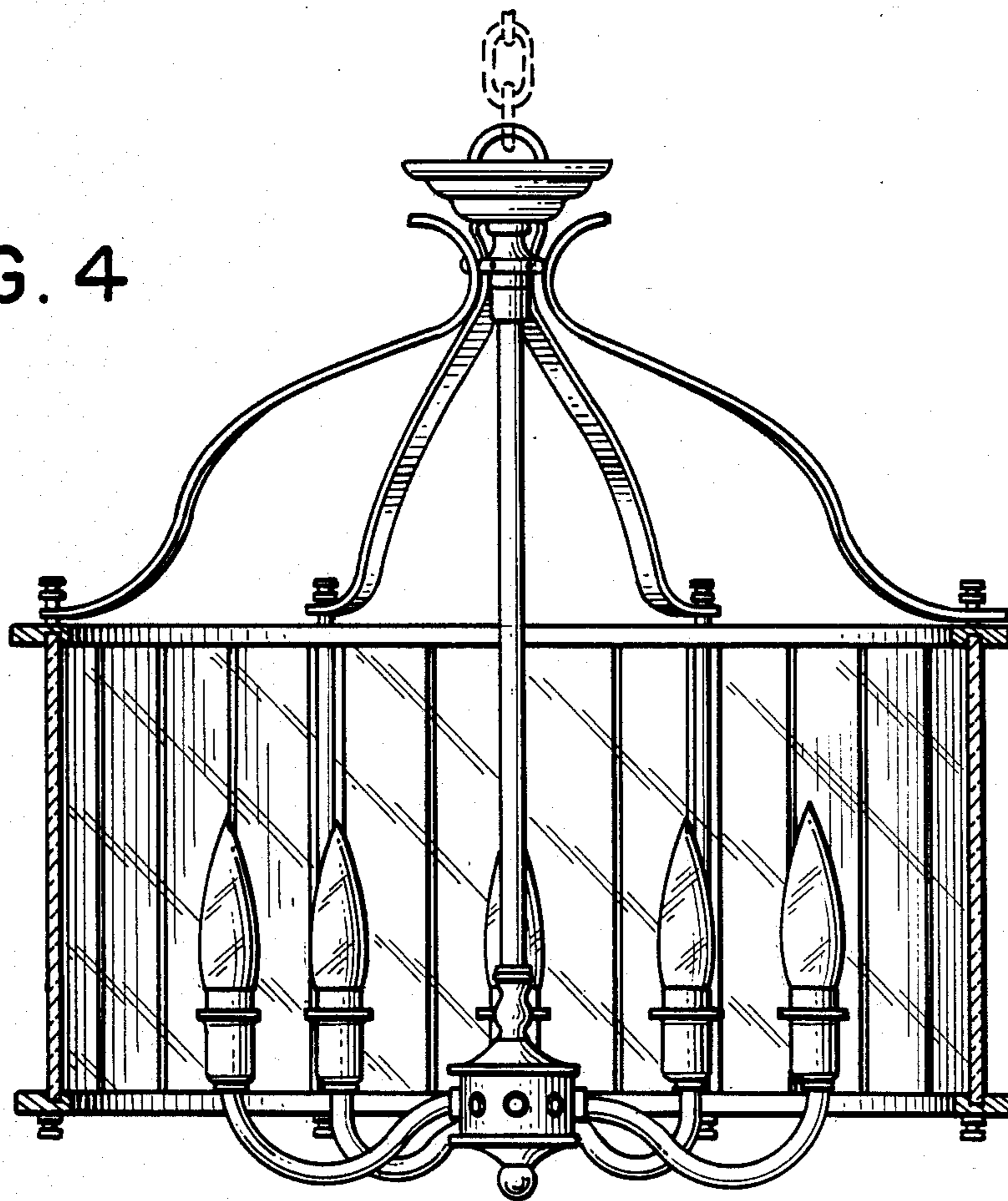


FIG. 5

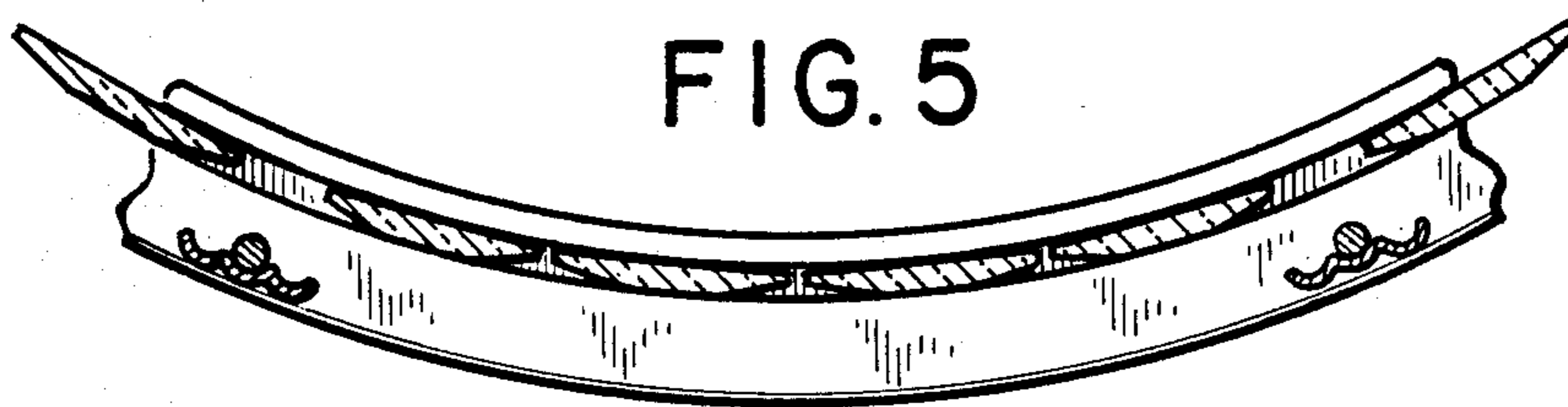


FIG. 8

