

[54] COMPACT FLUORESCENT LAMP

[75] Inventors: Wallace T. MacDonald, Tewksbury, Mass.; Robert E. Cassidy, Seabrook, N.H.; Harish Gandhi, Salem, Mass.

[73] Assignee: North American Philips Lighting Corp., New York, N.Y.

[**] Term: 14 Years

[21] Appl. No.: 924,084

[22] Filed: Oct. 28, 1986

[52] U.S. Cl. D26/3

[58] Field of Search D26/1, 2, 3; 313/315, 313/317, 318, 110, 113, 116, 491, 493, 567, 569, 25; 315/56, 57, 58, 73

[56] References Cited

U.S. PATENT DOCUMENTS

D. 287,407	12/1986	Fujita et al.	D26/3 X
3,355,612	11/1967	Peek, Jr.	313/318 X
4,461,973	7/1984	Kaufman et al.	315/56

Primary Examiner—Susan J. Lucas
Attorney, Agent, or Firm—Ernestine C. Bartlett

[57] CLAIM

The ornamental design for a compact fluorescent lamp, as shown and described.

DESCRIPTION

FIG. 1 is an elevational view of a compact fluorescent lamp showing our new design, the lamp being circularly symmetrical;

FIG. 2 is a top plan view thereof; and

FIG. 3 is a bottom plan view thereof.

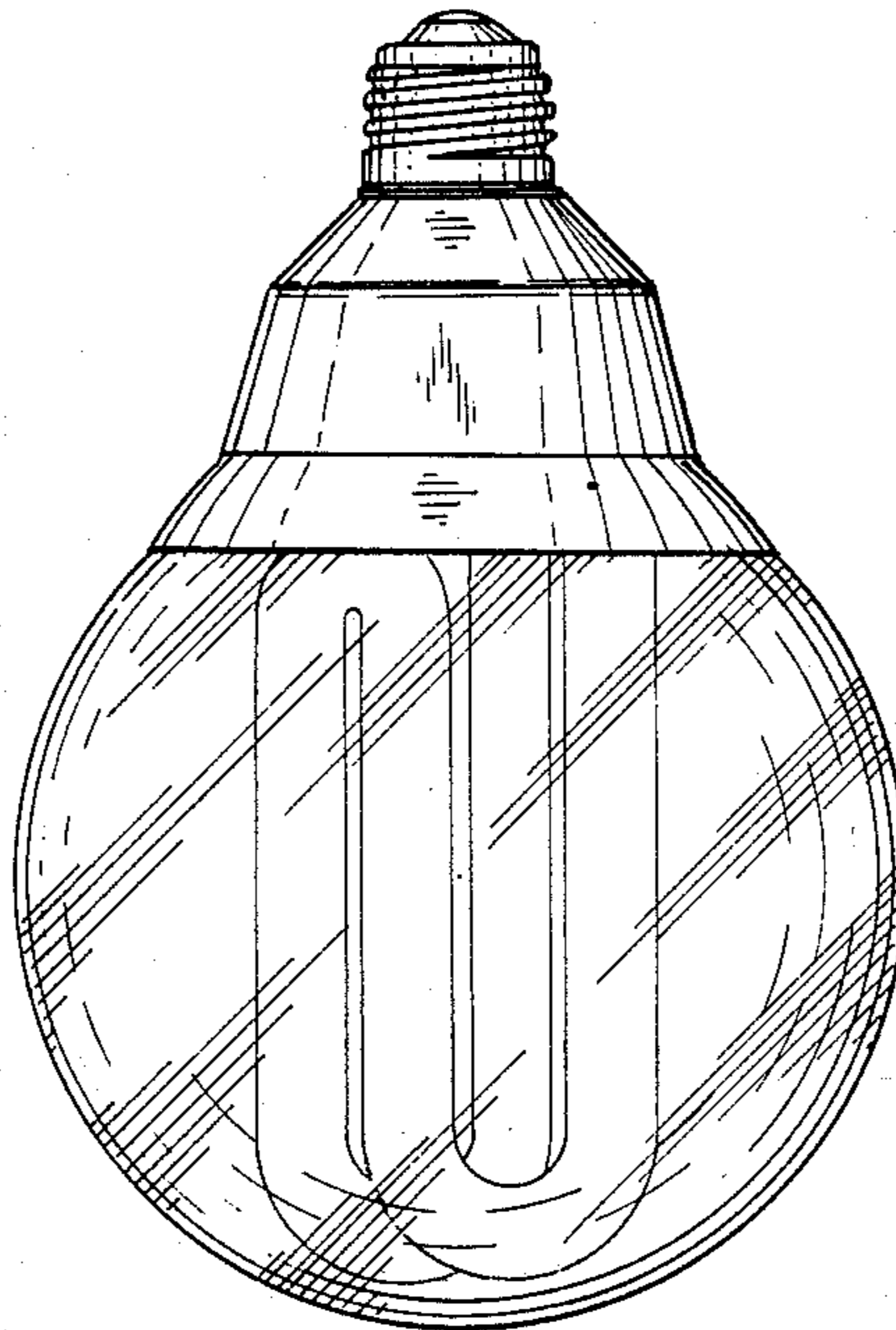


FIG. 1

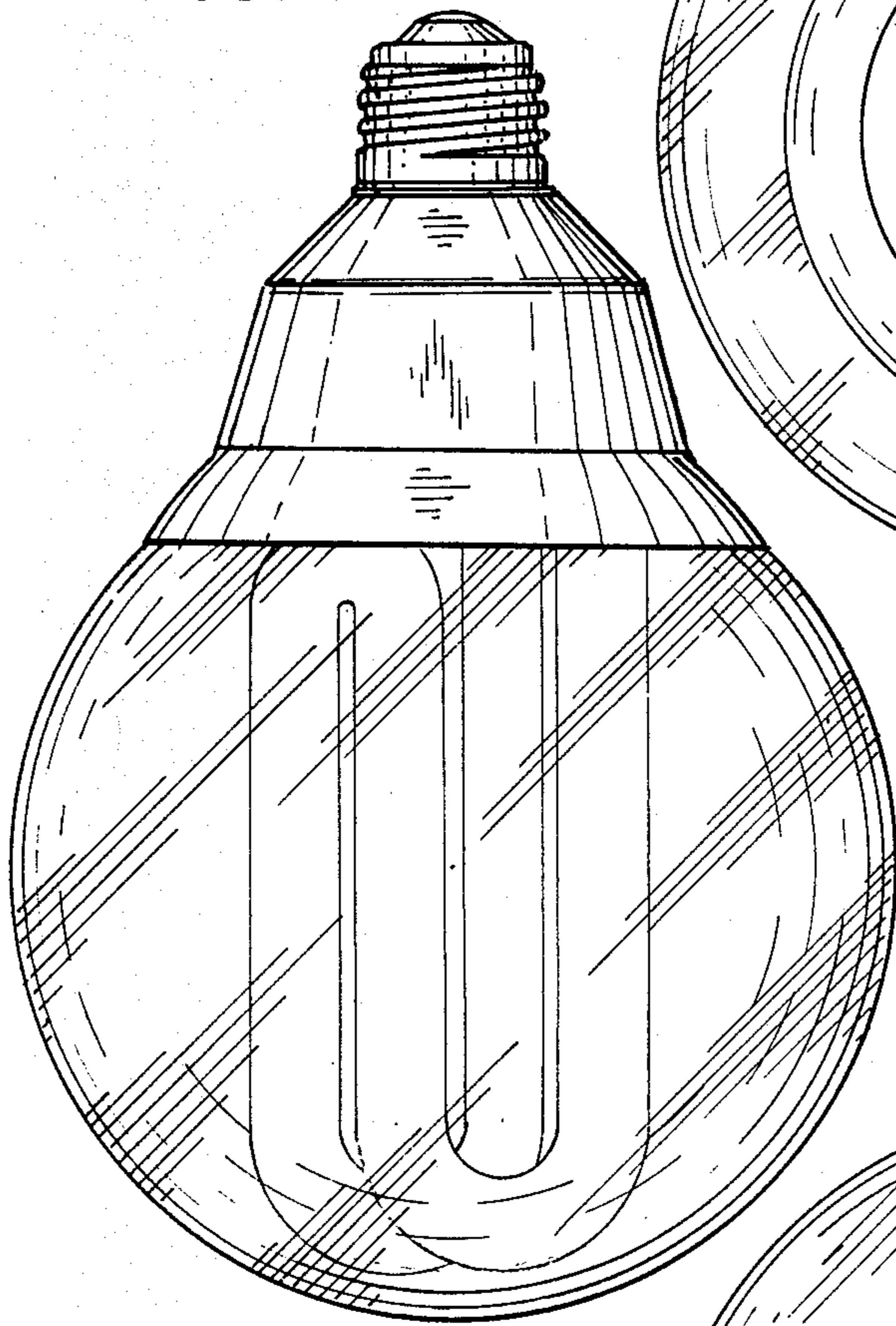


FIG. 2

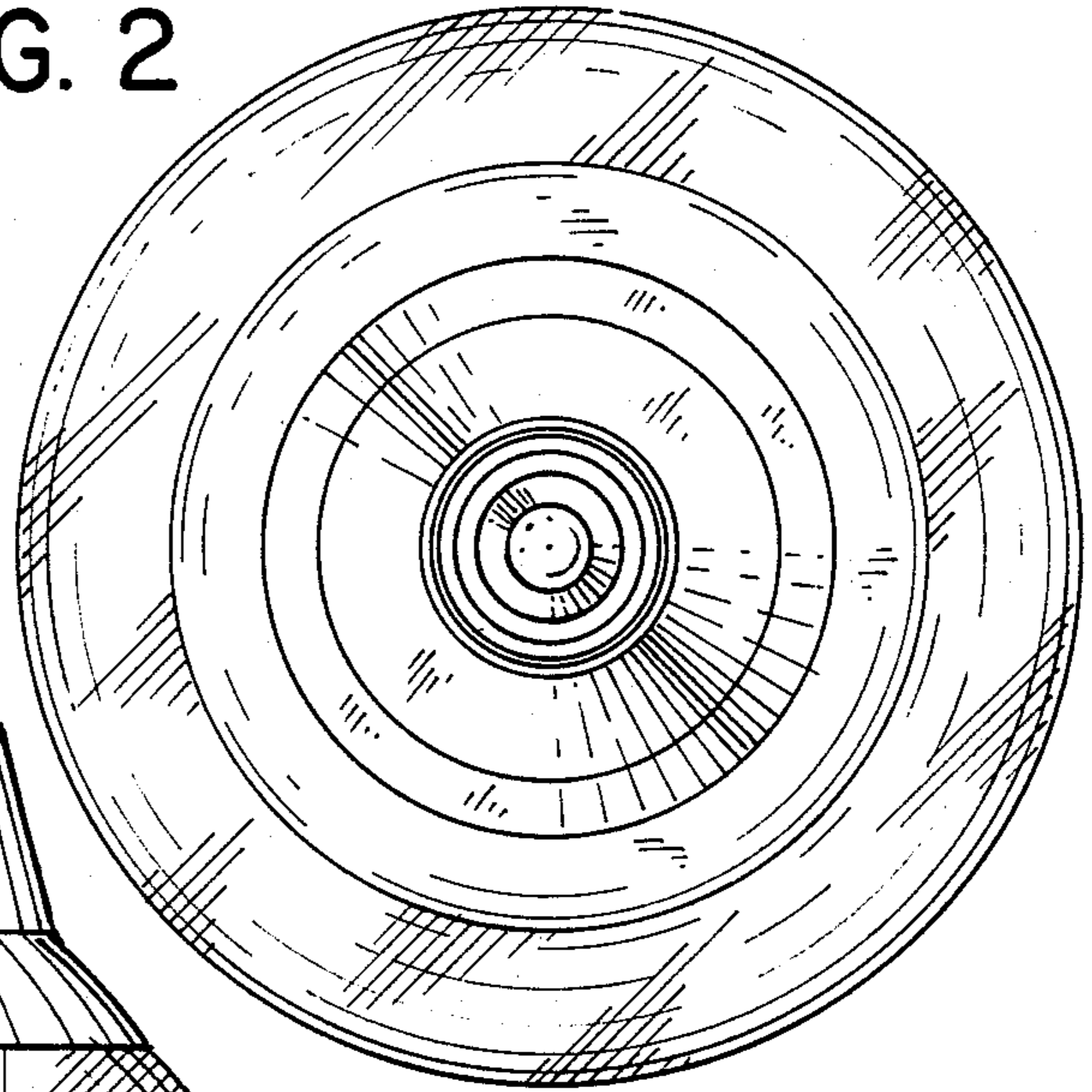


FIG. 3

