

[54] COMPACT FLUORESCENT REFLECTOR LAMP

[75] Inventors: Wallace T. MacDonald, Tewksbury, Mass.; Robert E. Cassidy, Seabrook, N.H.; Harish F. Gandhi, Salem, Mass.; Antonius J. M. Van Hees, Veldhoven, Netherlands; Frederik H. Alkema, Nuenen, both of Netherlands

[73] Assignee: North American Philips Lighting Corp., New York, N.Y.

[**] Term: 14 Years

[21] Appl. No.: 924,085

[22] Filed: Oct. 28, 1986

[52] U.S. Cl. D26/3

[58] Field of Search D26/1, 2, 3; 313/315, 313/317, 318, 110, 113, 116, 491, 493, 567, 569, 25; 315/56, 57, 58, 73

[56] References Cited

U.S. PATENT DOCUMENTS

D. 221,156	7/1971	Dorman et al.	D26/2
D. 274,656	7/1984	Nanba et al.	D26/3
2,556,059	6/1951	Braunsdorff	313/318 X
4,748,380	5/1988	MacDonald et al.	315/57

FOREIGN PATENT DOCUMENTS

726568	5/1932	France	313/110
--------	--------	--------------	---------

Primary Examiner—Susan J. Lucas
Attorney, Agent, or Firm—Ernestine C. Bartlett

[57] CLAIM

The ornamental design for a compact fluorescent reflector lamp, as shown and described.

DESCRIPTION

FIG. 1 is an elevational view of a compact fluorescent reflector lamp showing our new design, the lamp being circularly symmetrical;
FIG. 2 is a top plan view thereof; and
FIG. 3 is a bottom plan view thereof.

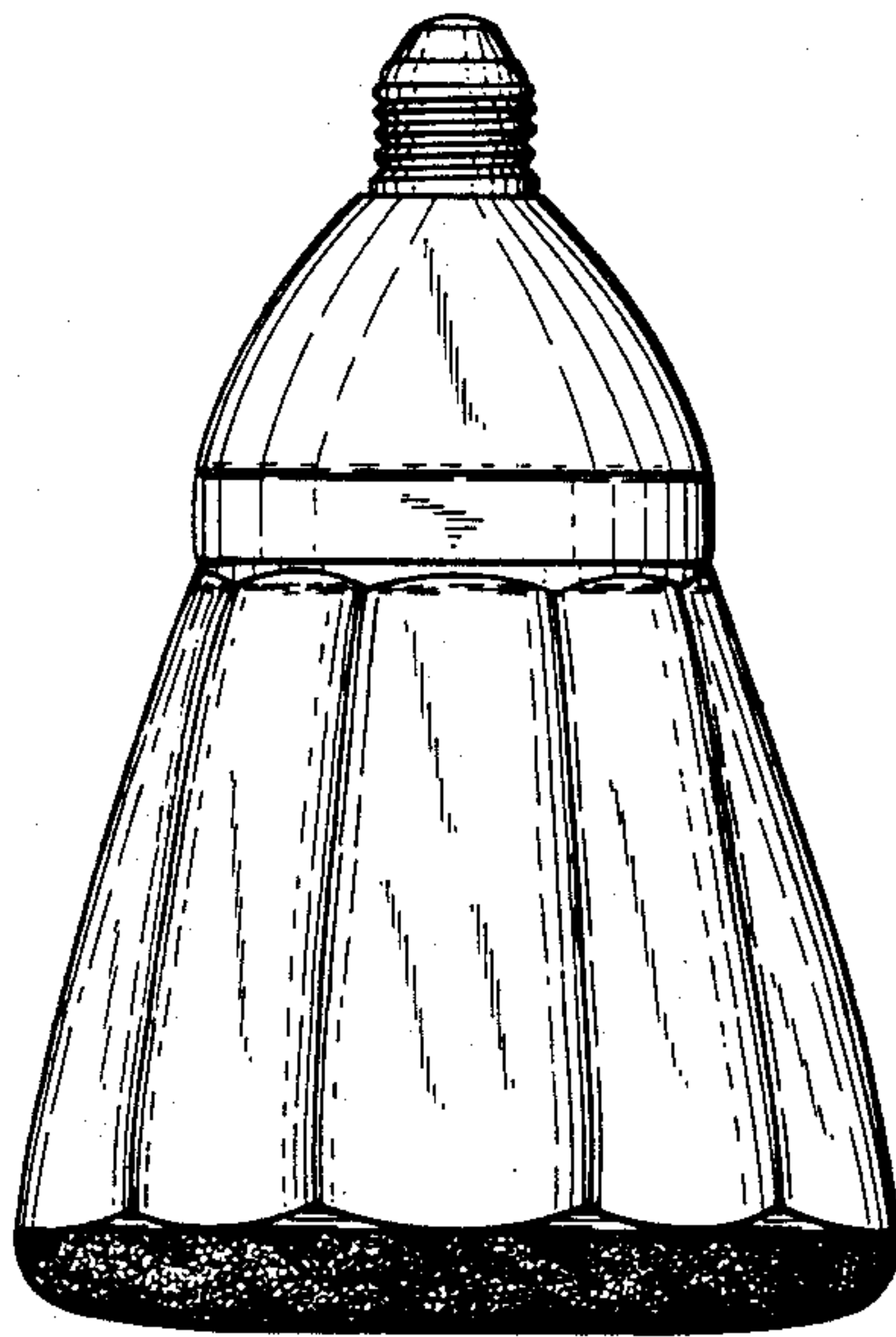


FIG. 1

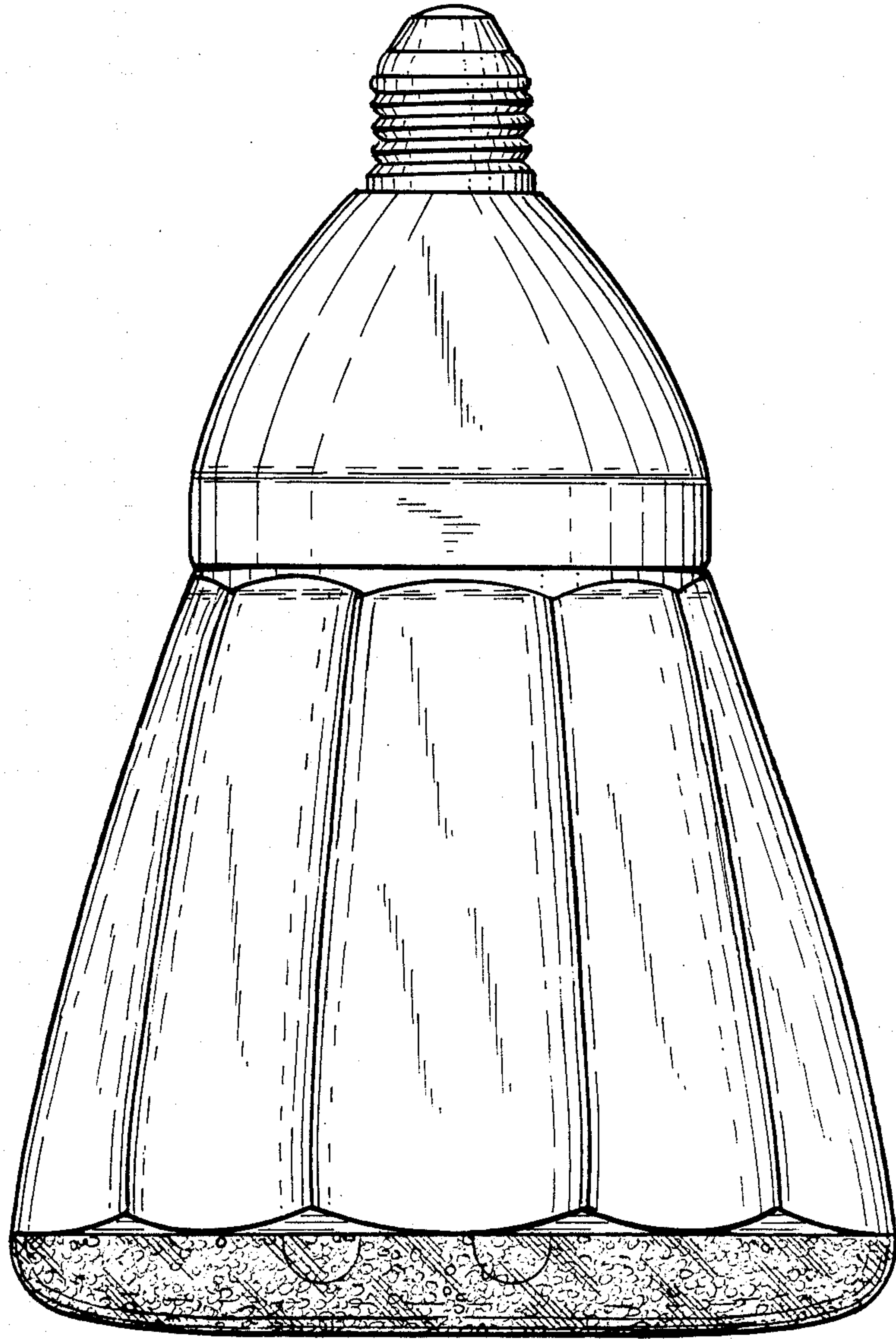


FIG. 2

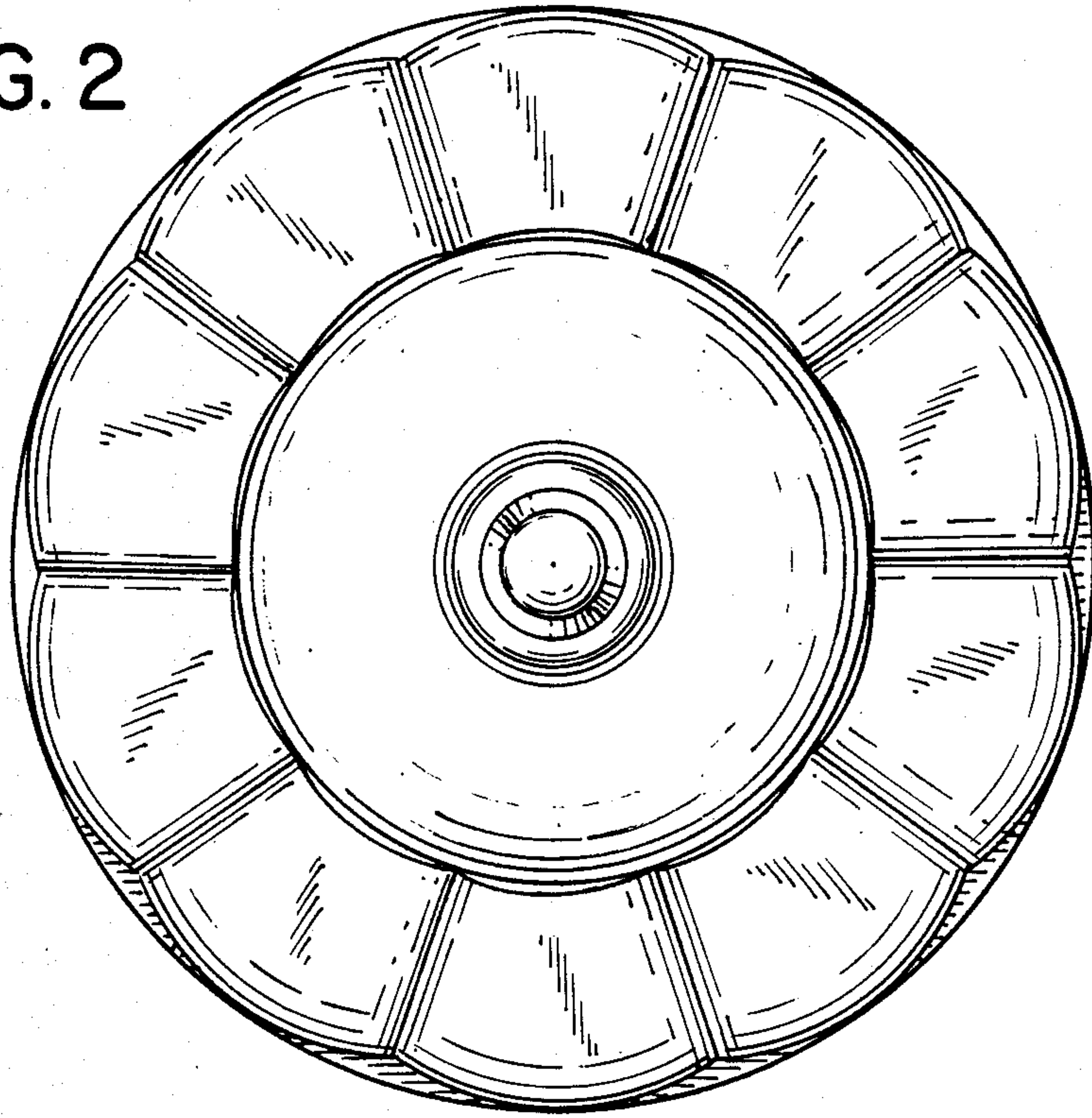


FIG. 3

