

[54] COMBINED CONTAINER AND COVER FOR DENTAL RESTORATIVE COMPONENTS

[75] Inventor: Robert D. Holewinski, Lakehurst, N.J.

[73] Assignee: Johnson & Johnson Consumer Products, Inc., New Brunswick, N.J.

[\*\*] Term: 14 Years

[21] Appl. No.: 934,529

[22] Filed: Jan. 12, 1987

[52] U.S. Cl. .... D24/31

[58] Field of Search ..... D24/31; 206/570-572, 206/369, 368, 364-366, 438, 557-558, 562-564; D9/341, 345, 347, 423-425, 455, 456; D3/74; D6/396; 433/77

[56] References Cited

U.S. PATENT DOCUMENTS

- D. 287,760 1/1987 Discko, Jr. .... D24/31 X
- D. 288,234 2/1987 Blatherwick et al. .... D24/31
- D. 288,482 2/1987 Blatherwick et al. .... D24/31

- D. 293,024 12/1987 Holewinski et al. .... D24/31
- 4,153,160 5/1979 Leigh ..... 206/570 X

Primary Examiner—Wallace R. Burke  
Assistant Examiner—Stella M. Reid

[57] CLAIM

The ornamental design for a combined container and cover for dental restorative components, as shown.

DESCRIPTION

FIG. 1 is a perspective view of a combined container and cover for dental restorative components, showing my new design;  
FIG. 2 is a side elevational view thereof, the opposite side being identical thereto;  
FIG. 3 is a top plan view thereof;  
FIG. 4 is a front elevational view thereof;  
FIG. 5 is a rear elevational view thereof; and  
FIG. 6 is a bottom plan view thereof.  
FIG. 7 is an exploded perspective view of the container thereof, with the broken-line showing of various articles placed in the container being for illustrative purposes only and forming no part of the claimed design.

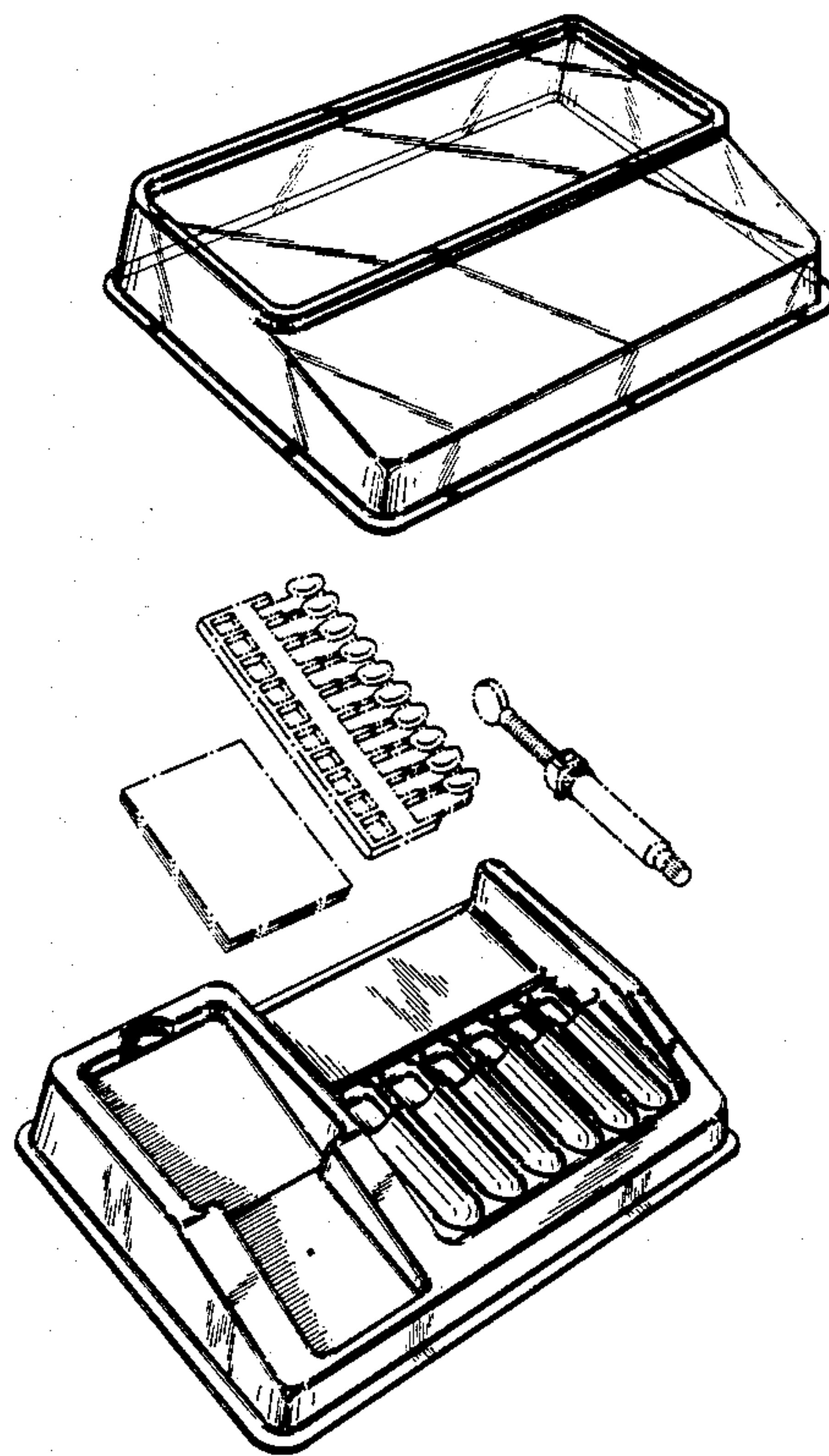


FIG-1

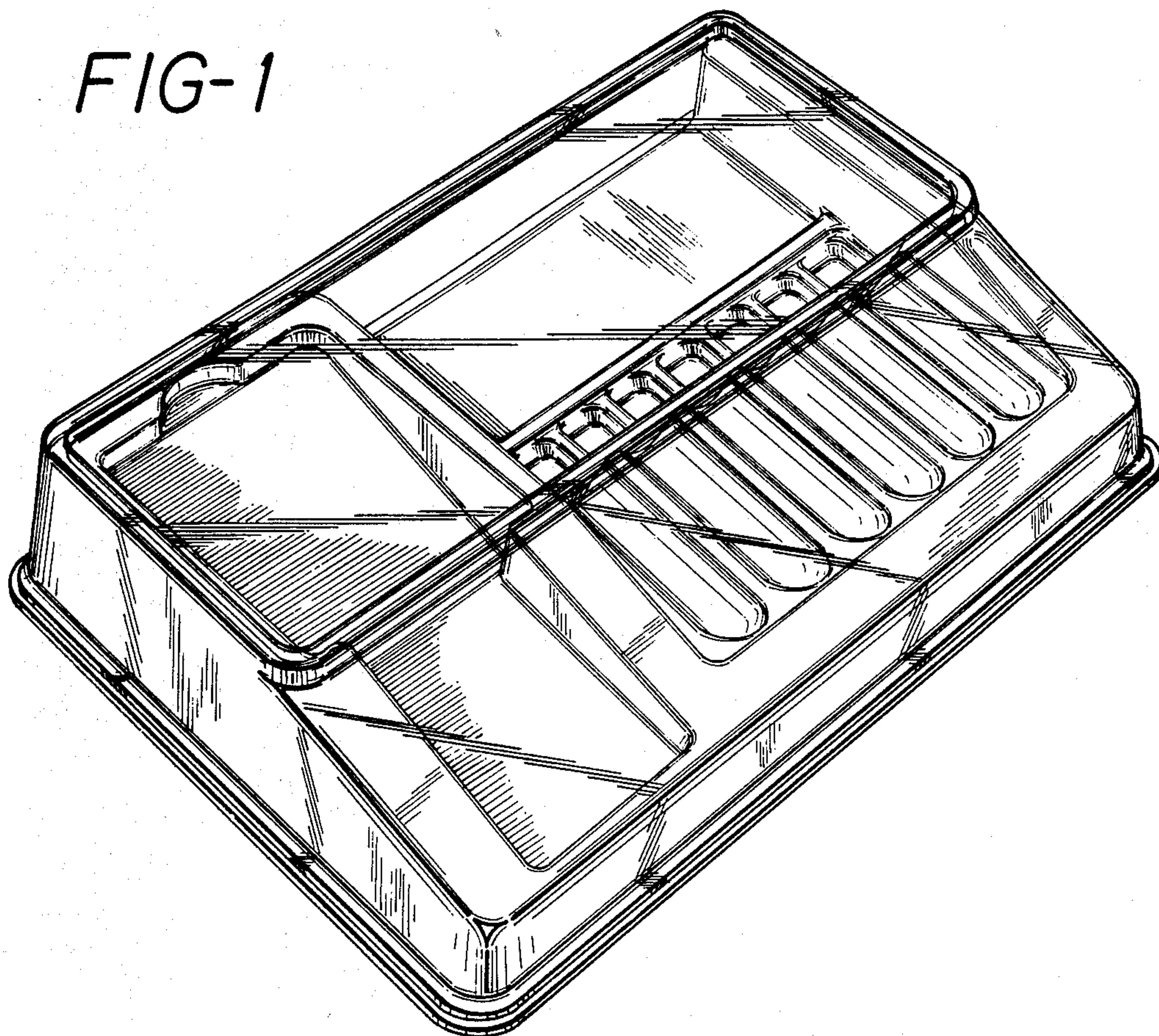


FIG-2

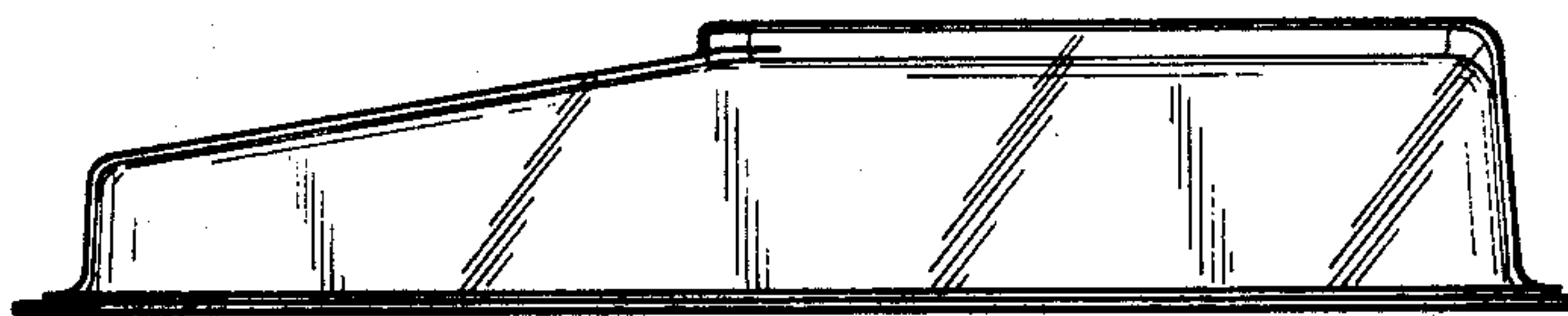




FIG-3

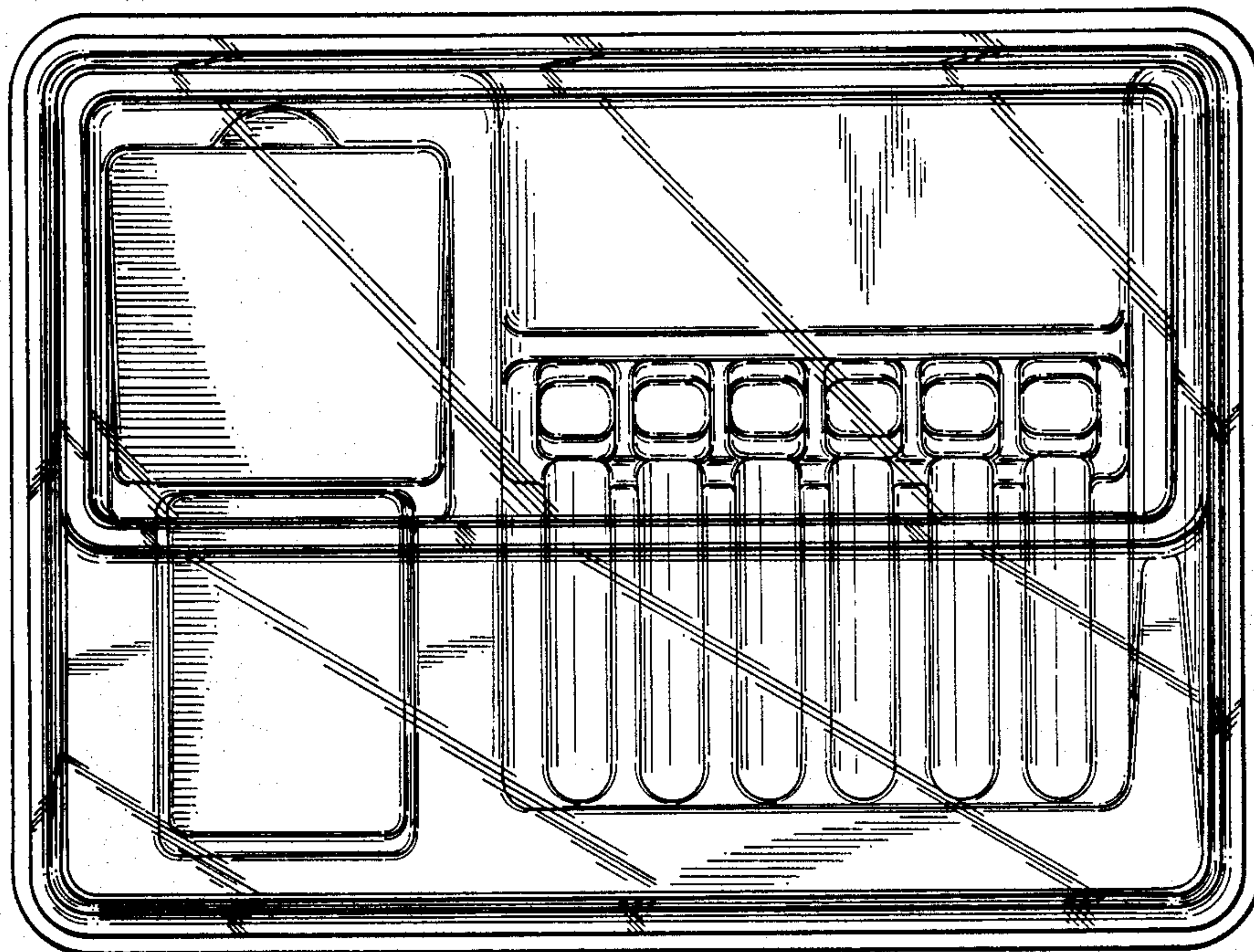


FIG-4

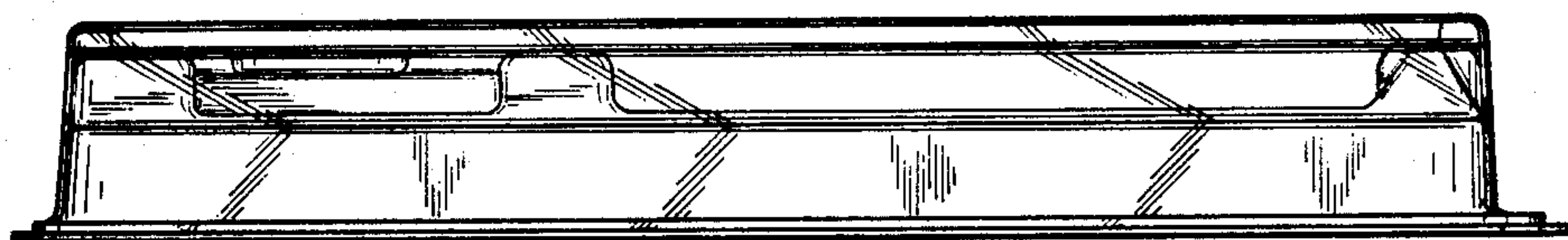


FIG-5

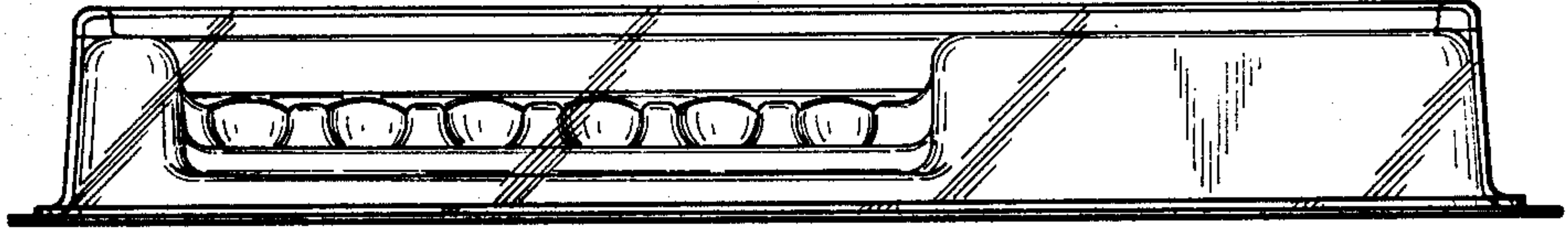


FIG-6

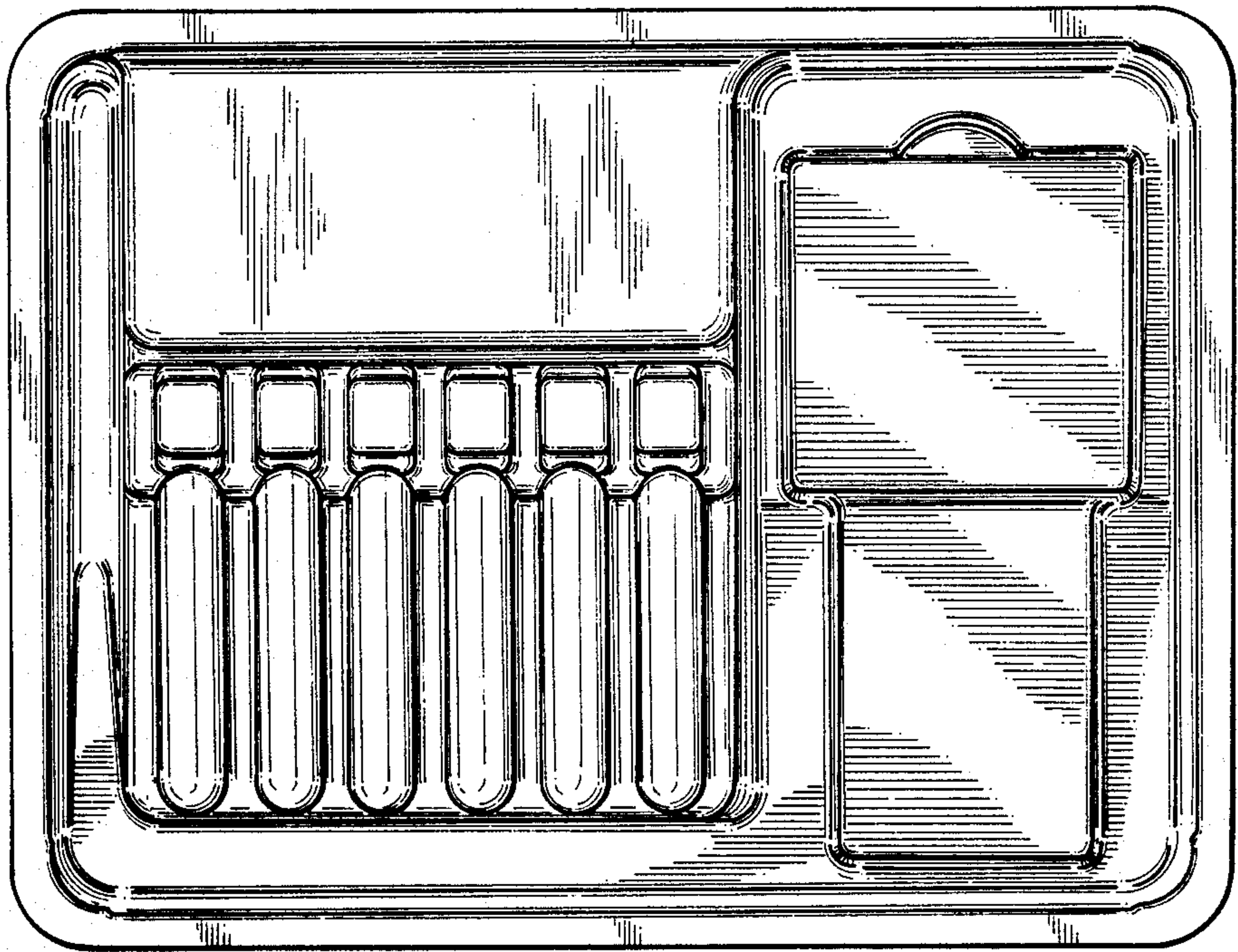




FIG-7

