

[54] WATER EJECTING GUN OR SIMILAR ARTICLE

[76] Inventor: Aqee Kao, No. 47, Wu Hsun St., Ta Wu Lun Industrial Park, Keelung, Taiwan

[\*\*] Term: 14 Years

[21] Appl. No.: 138,017

[22] Filed: Dec. 28, 1987

[52] U.S. Cl. .... D23/223; D23/226

[58] Field of Search ..... D23/213, 223, 224, 225, D23/226, 227; 222/79; 239/532, 525-527

[56] References Cited

U.S. PATENT DOCUMENTS

D. 243,532	3/1977	Fyffe	.....	D23/223
D. 287,993	1/1987	Crow	.....	D23/223
3,174,660	3/1965	Bundy	.....	222/79
3,361,300	1/1968	Kaplan	.....	239/526
4,784,330	11/1988	Hammelmann	.....	239/526

Primary Examiner—James M. Gandy

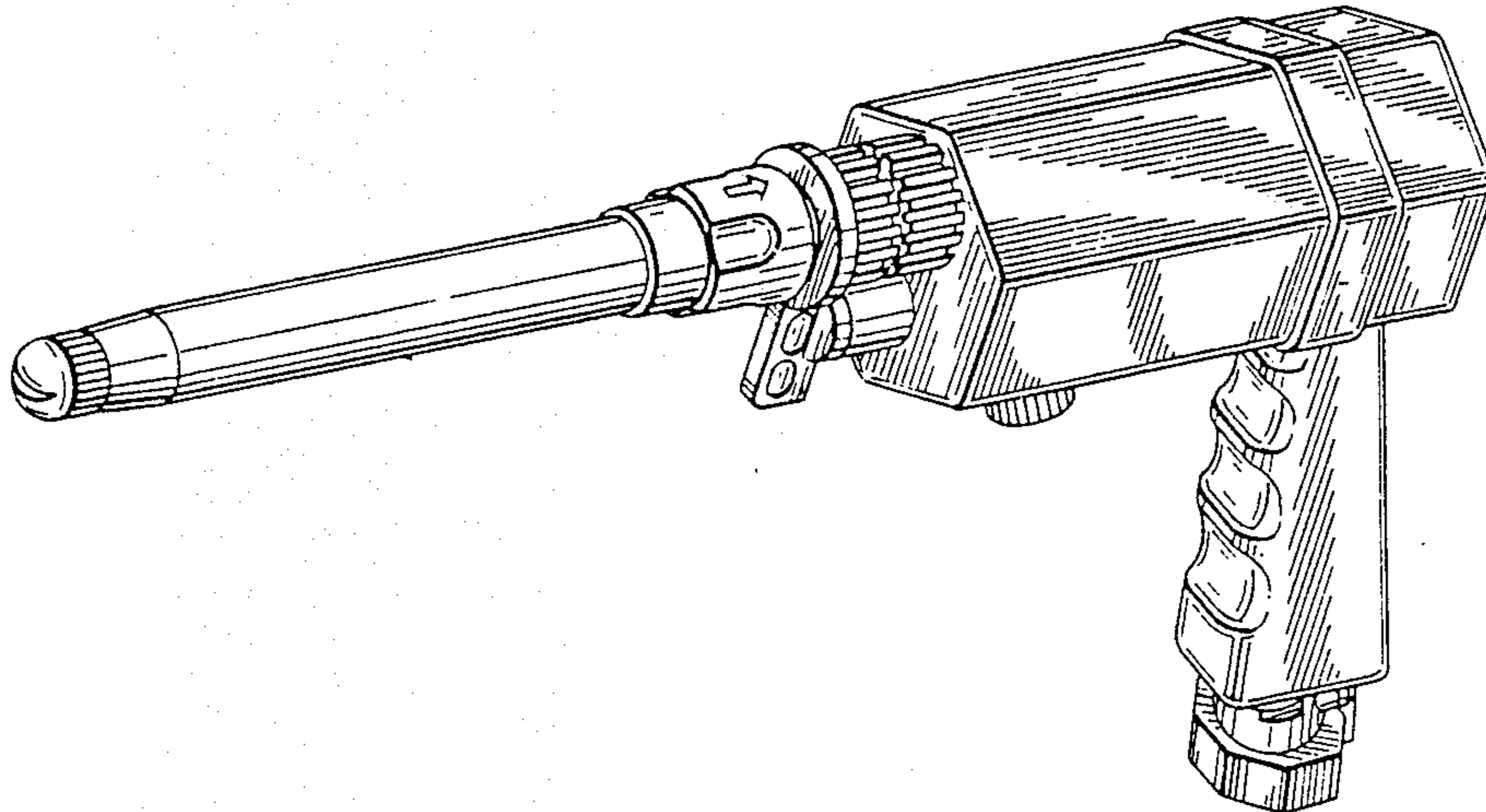
Assistant Examiner—Lisa Lichtenstein  
Attorney, Agent, or Firm—Marshall & Melhorn

[57] CLAIM

The ornamental design for a water ejecting gun or similar article, as shown and described.

DESCRIPTION

FIG. 1 is a right side elevational view of a water ejecting gun or similar article showing my new design; FIG. 2 is a left side elevational view thereof; FIG. 3 is a front elevational view thereof; FIG. 4 is a rear elevational view thereof; FIG. 5 is a top plan view thereof; FIG. 6 is a bottom plan view thereof; FIG. 7 is a perspective view thereof; FIG. 8 is a perspective view of a water ejecting gun or similar article showing a second embodiment of my new design, the sole difference being that the nozzle is formed of two sections; and FIG. 9 is a perspective view of a water ejecting gun or similar article, showing a third embodiment of my new design, the sole difference being that the nozzle is formed of three sections.



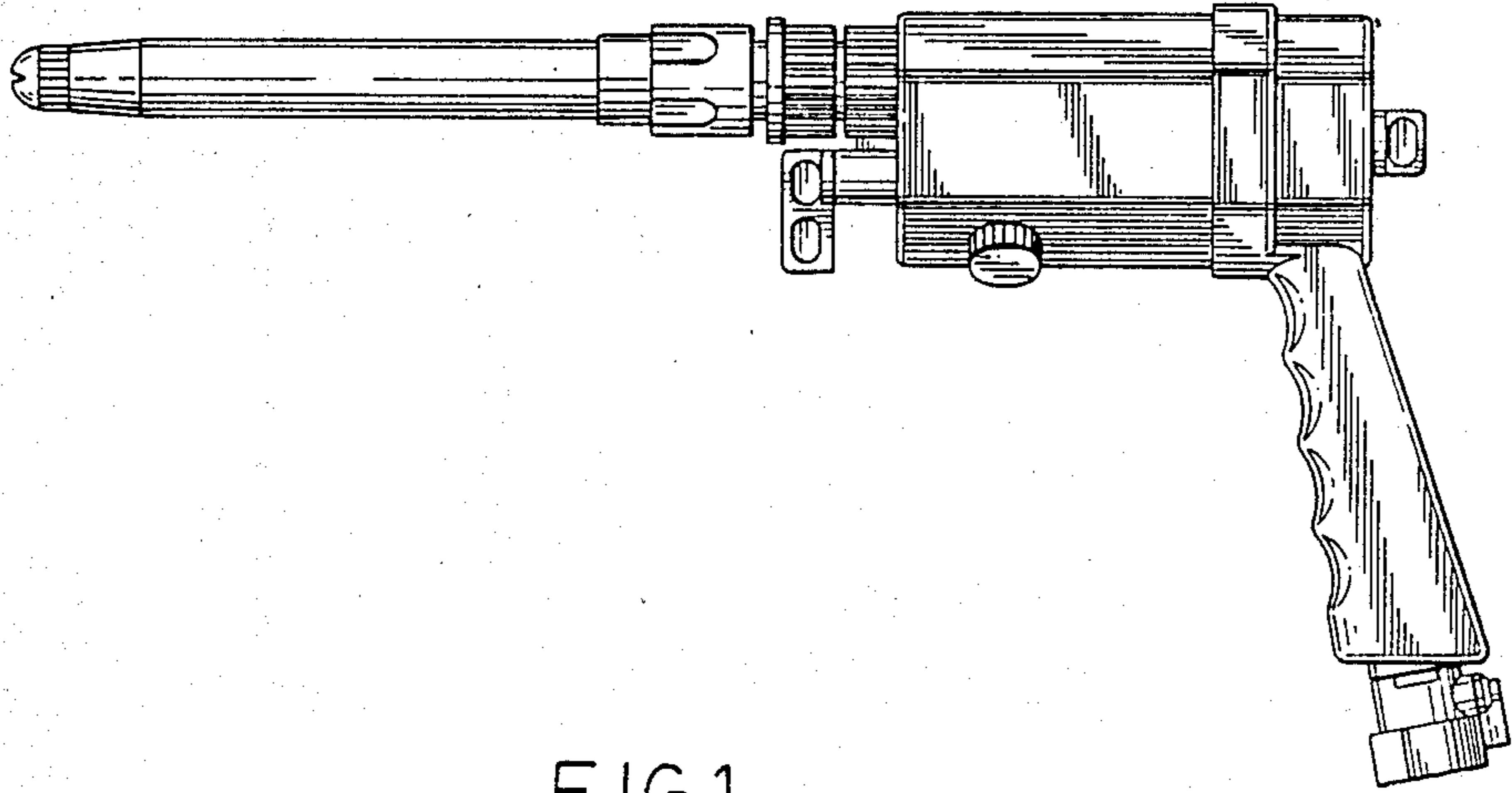


FIG. 1

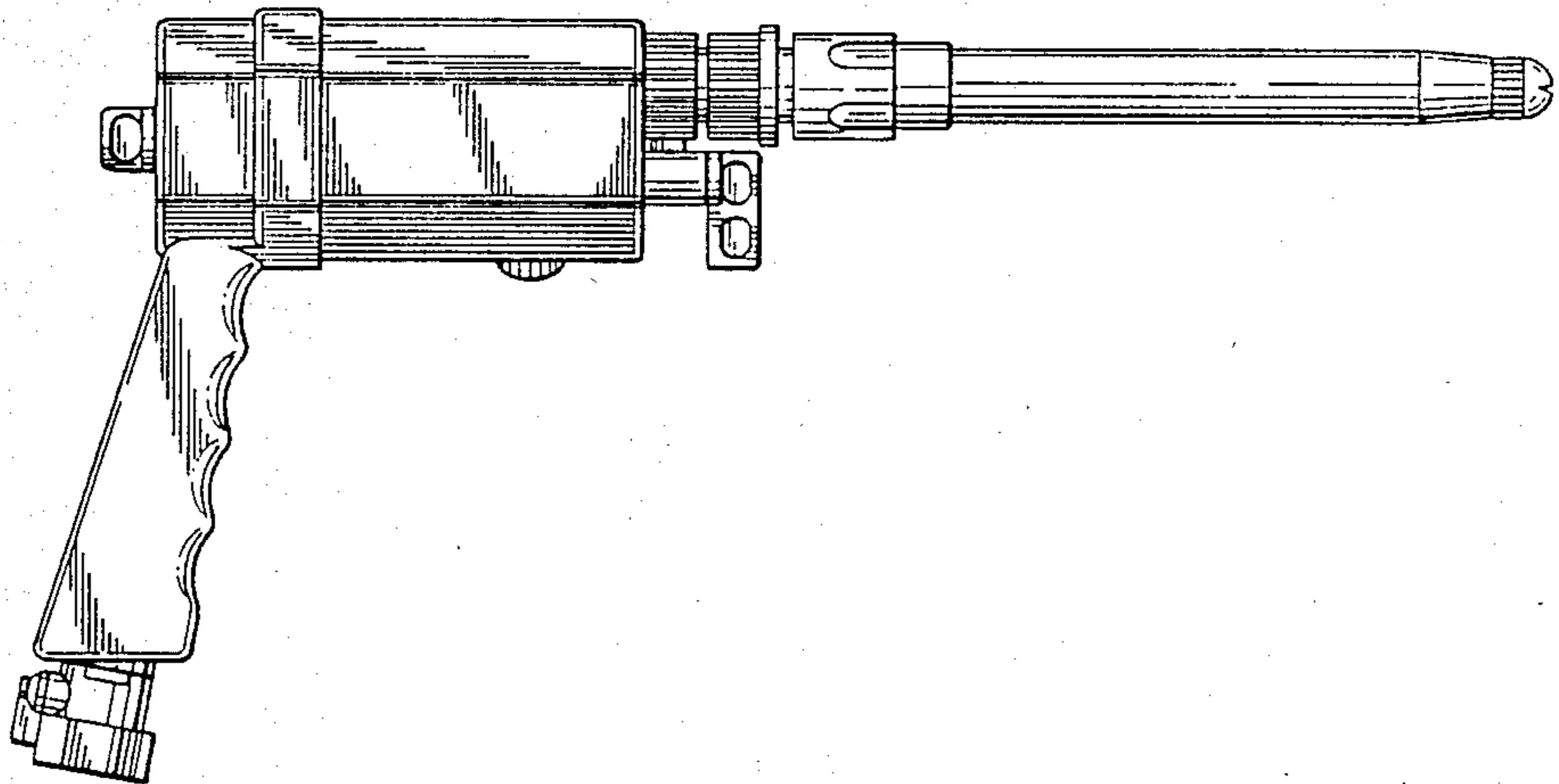


FIG. 2

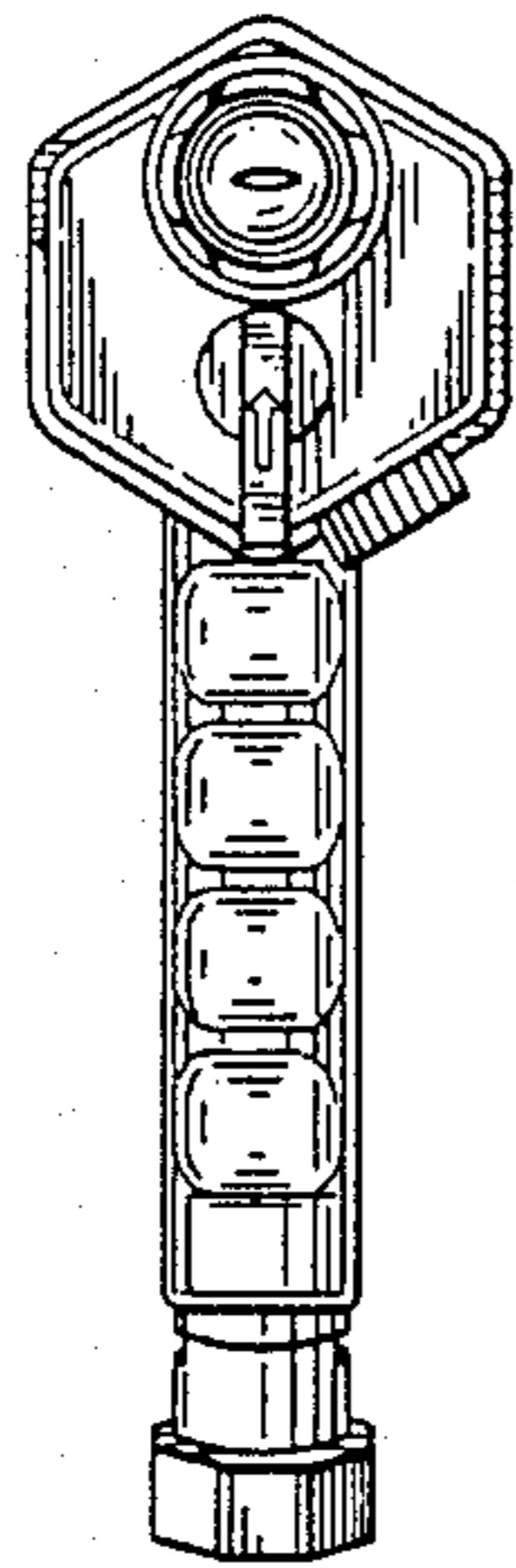


FIG. 3

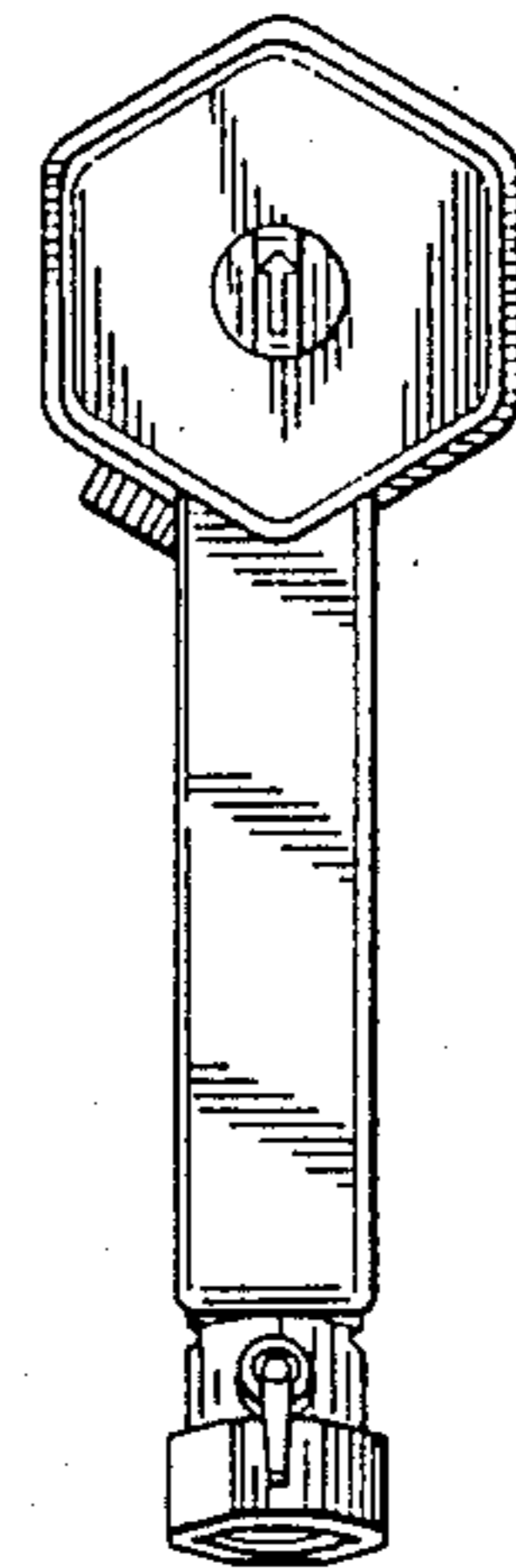


FIG. 4

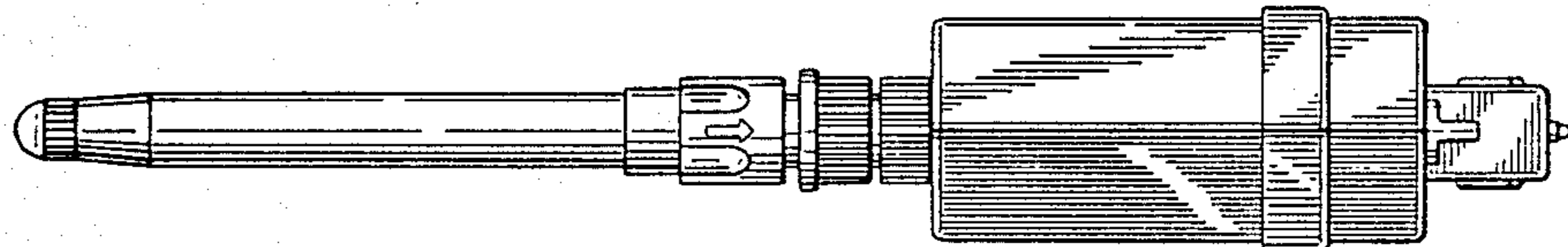


FIG. 5

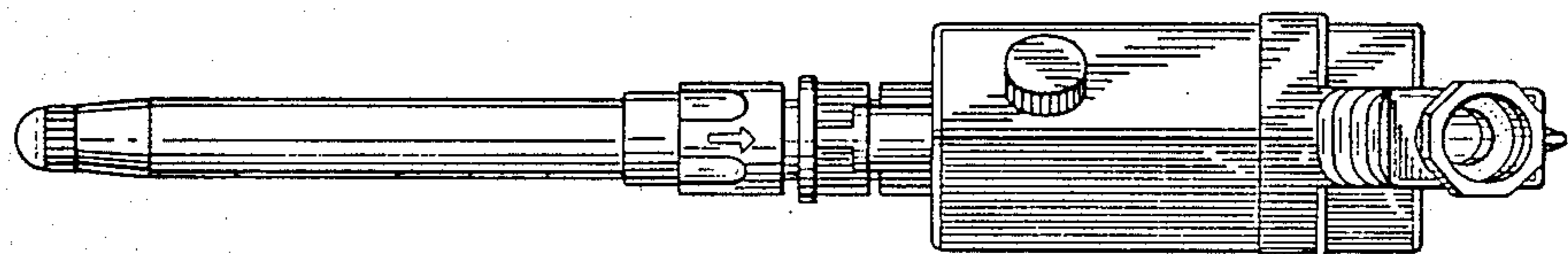


FIG. 6

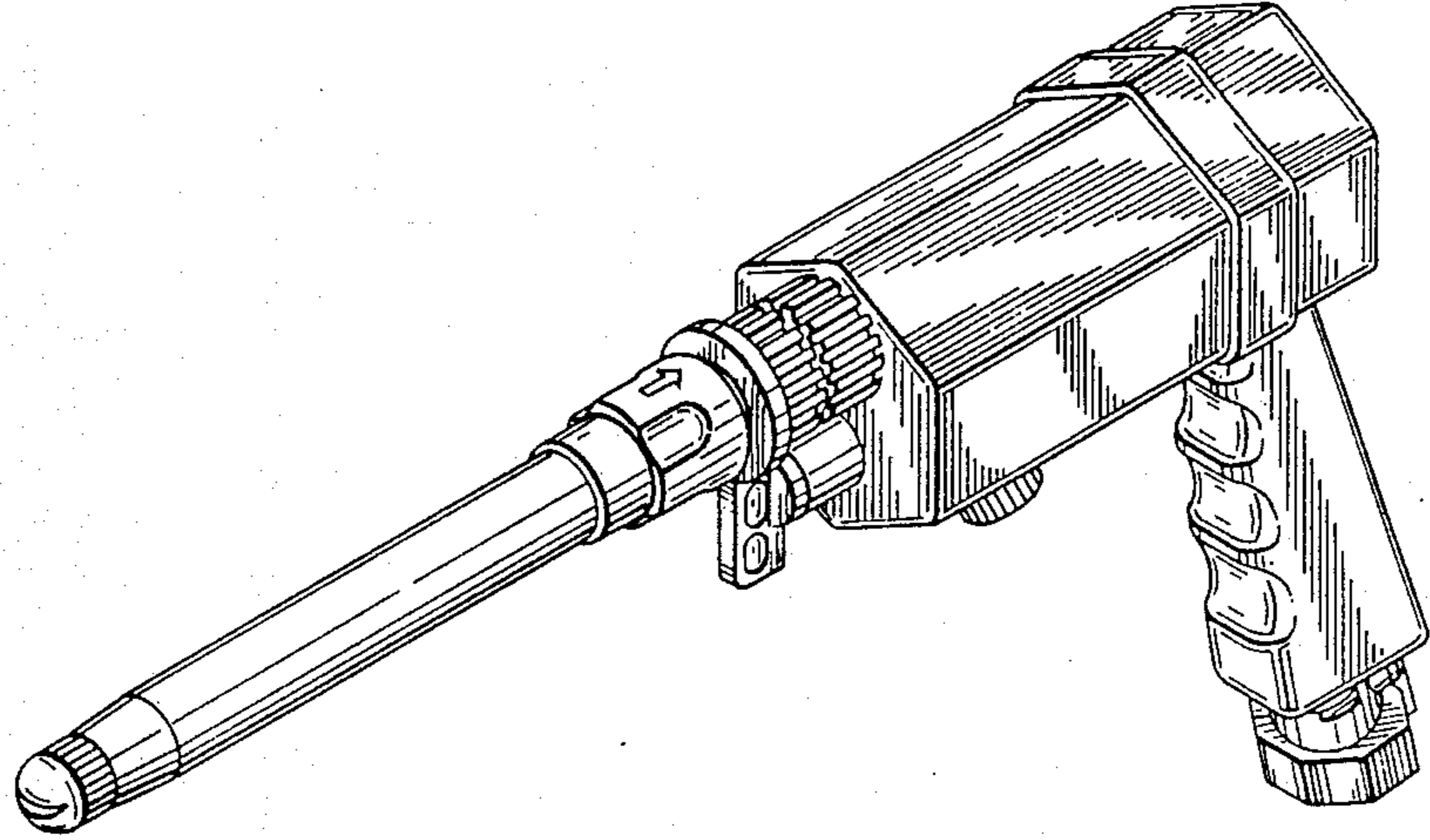


FIG.7

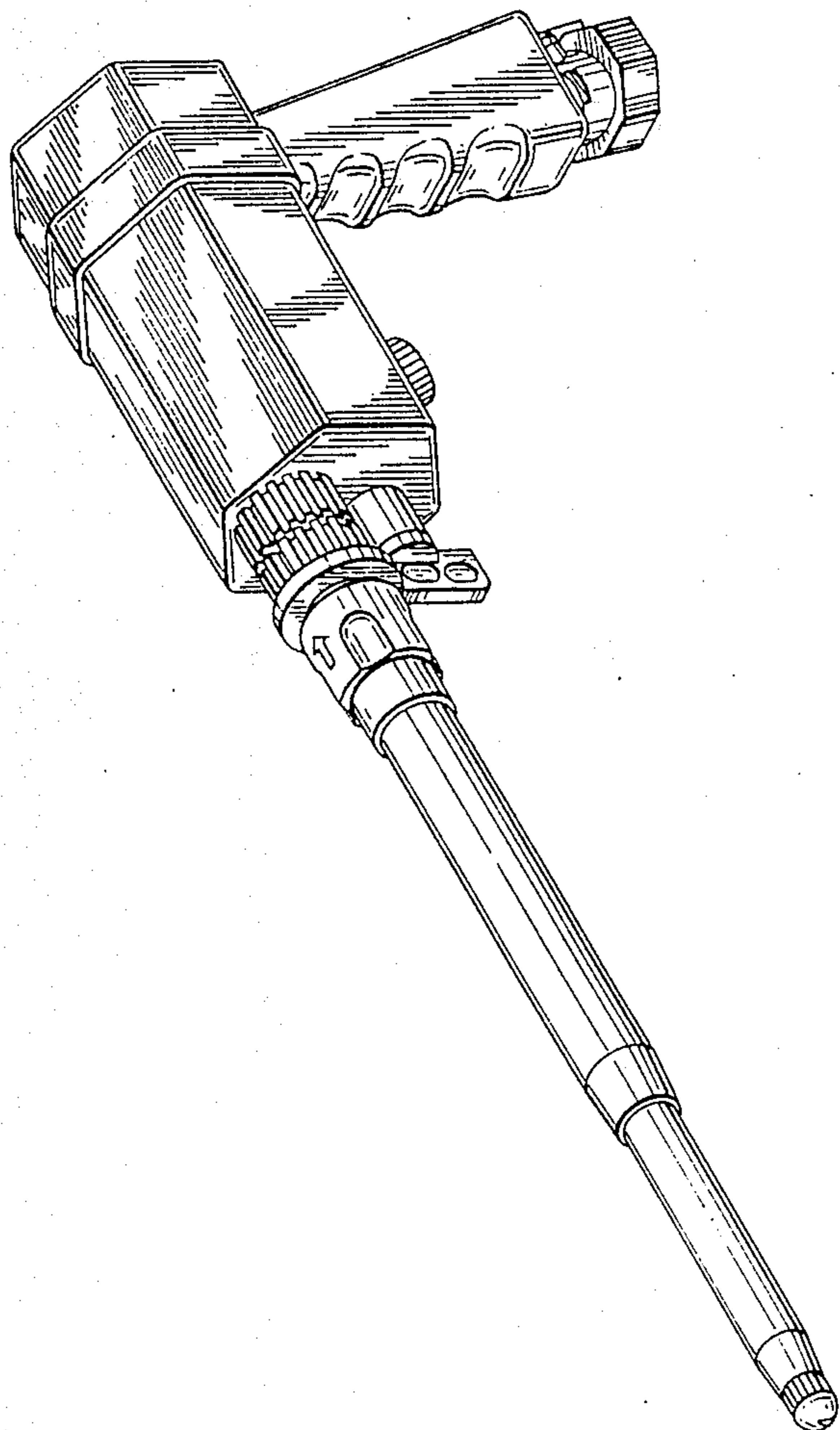


FIG. 8

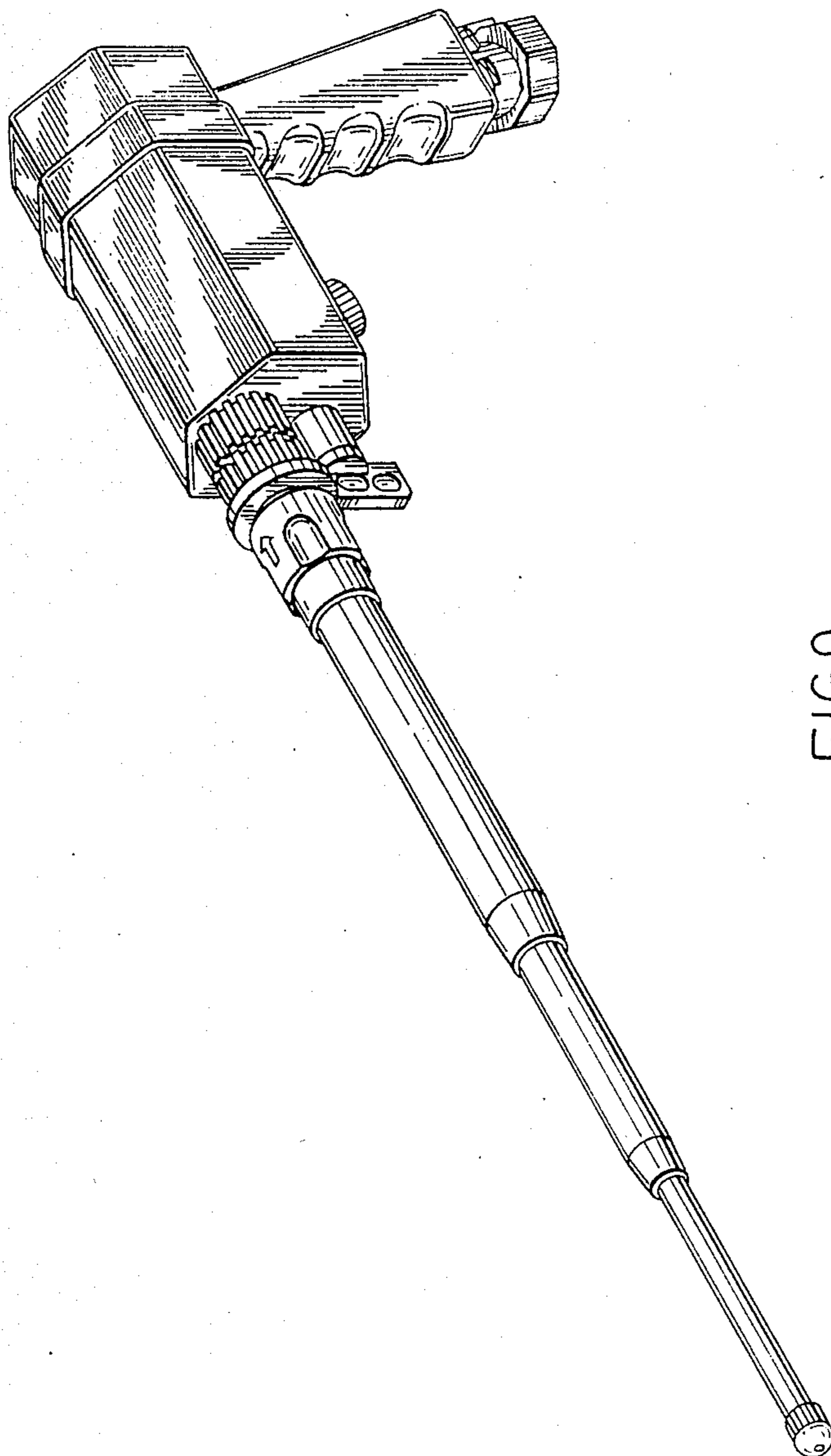


FIG. 9