

[54] TIP-PROOF SPRINKLER STAND

[76] Inventor: John W. Locklair, Jr., 1864
Charleston Hwy., Cayce, S.C. 29033

[**] Term: 14 Years

[21] Appl. No.: 43,240

[22] Filed: Apr. 27, 1987

[52] U.S. Cl. D23/221; D23/214

[58] Field of Search D23/213, 214, 219, 221;
239/200, 273, 558

[56] References Cited

U.S. PATENT DOCUMENTS

D. 232,089	7/1974	Margrill	D23/214
D. 241,542	9/1976	Thurston	D23/214
D. 269,200	5/1983	MacKay et al.	D23/221
993,498	5/1911	Bolitho	239/558
4,562,963	1/1986	Butler	239/273

FOREIGN PATENT DOCUMENTS

707574	4/1954	United Kingdom	239/273
1409946	10/1975	United Kingdom	239/273

Primary Examiner—James M. Gandy
Assistant Examiner—Lisa Lichtenstein
Attorney, Agent, or Firm—Benoni O. Reynolds

[57] CLAIM

The ornamental design for a tip-proof sprinkler stand, as shown and described.

DESCRIPTION

FIG. 1 is a top plan view of a tip-proof sprinkler stand showing my new design;
FIG. 2 is a right side elevational view, the left side being a mirror image thereof;
FIG. 3 is a front elevational view thereof;
FIG. 4 is a bottom plan view thereof; and
FIG. 5 is a rear elevational view thereof.

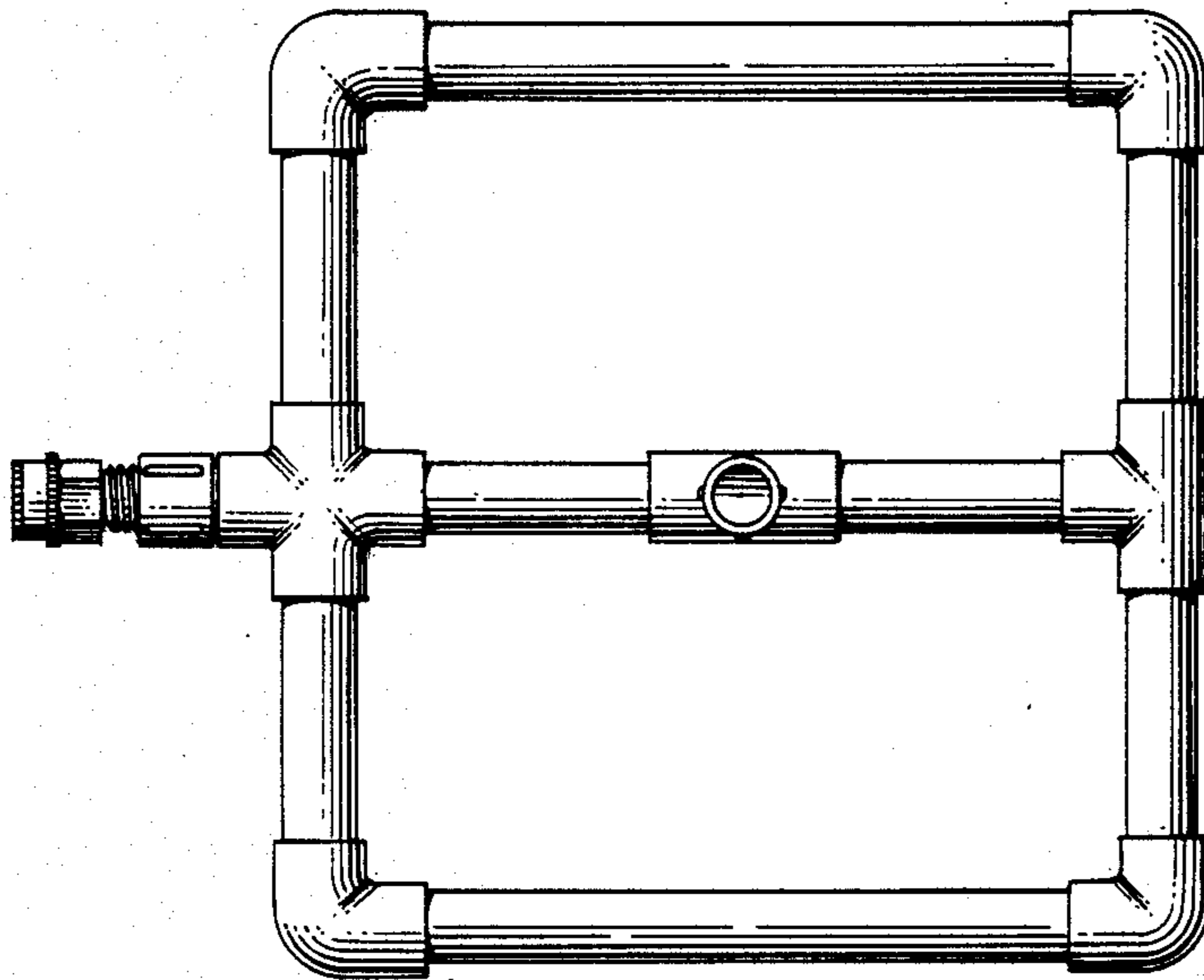


FIG. 1.

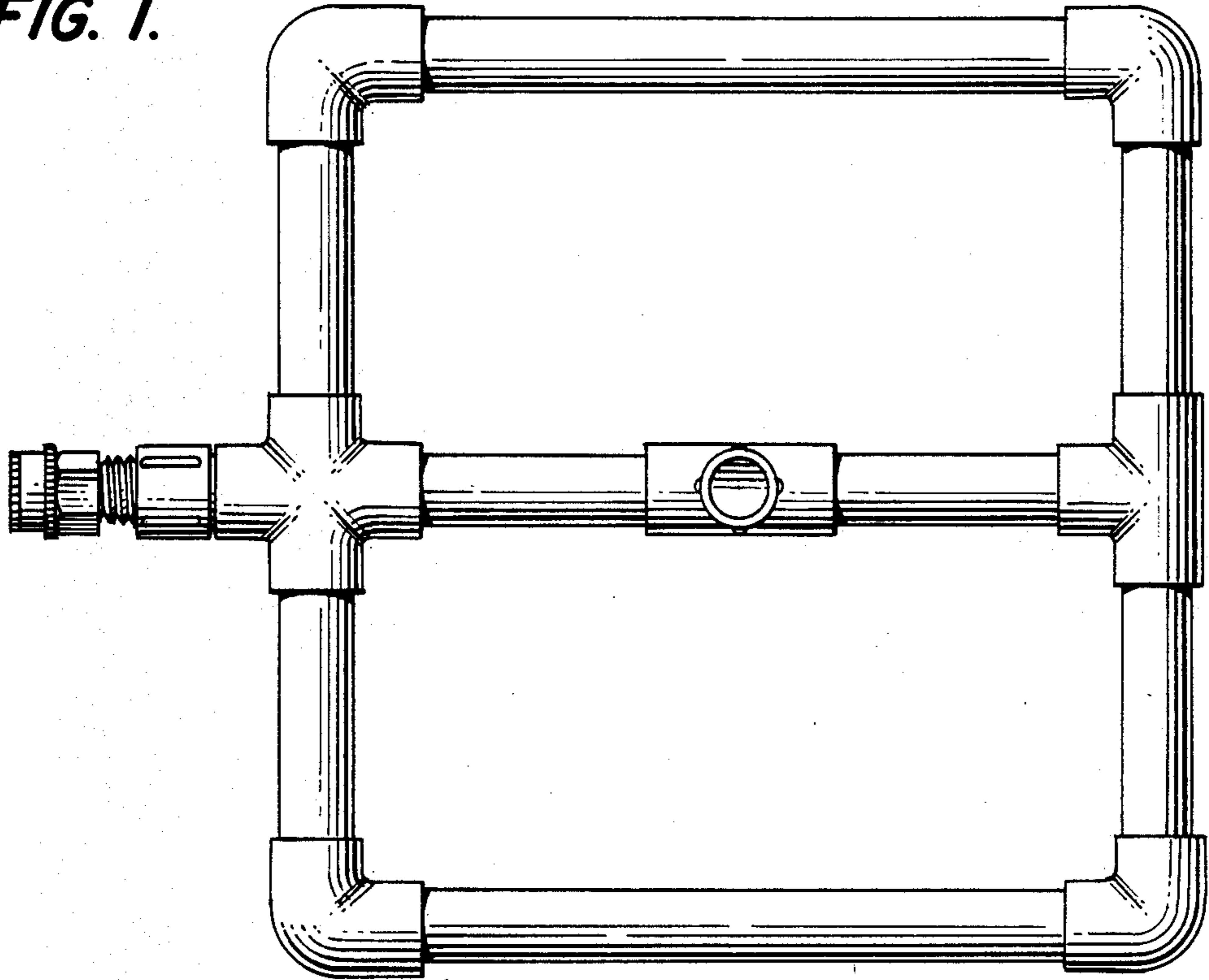


FIG. 2.

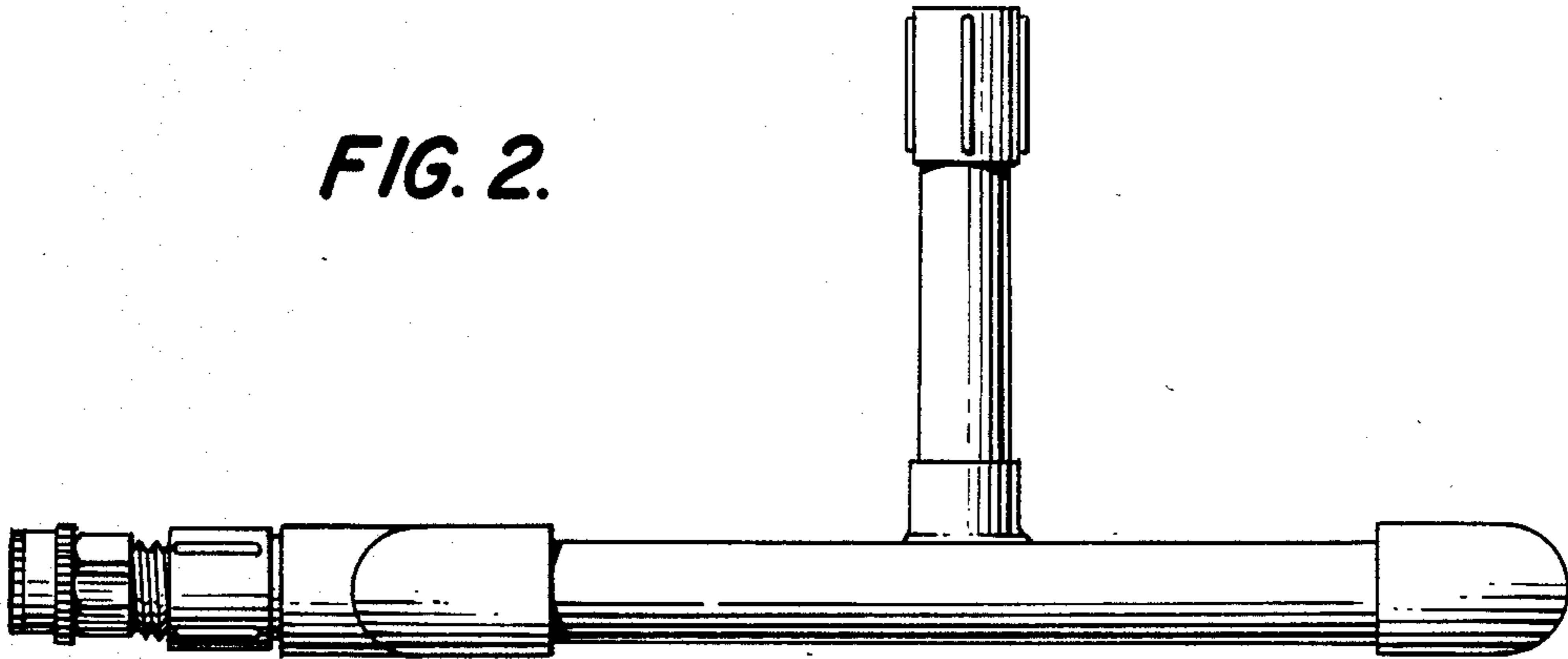


FIG. 3.

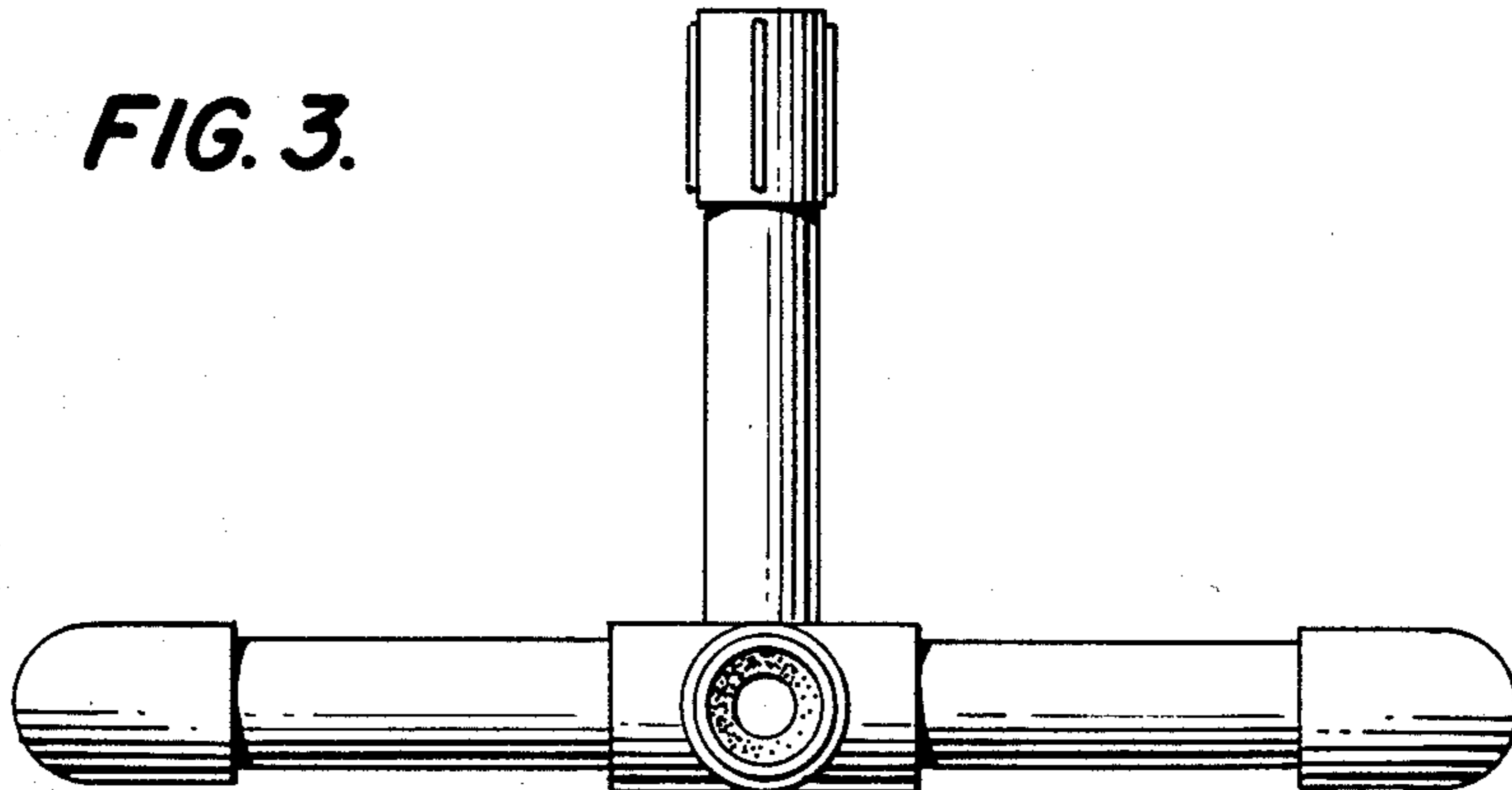


FIG. 4.

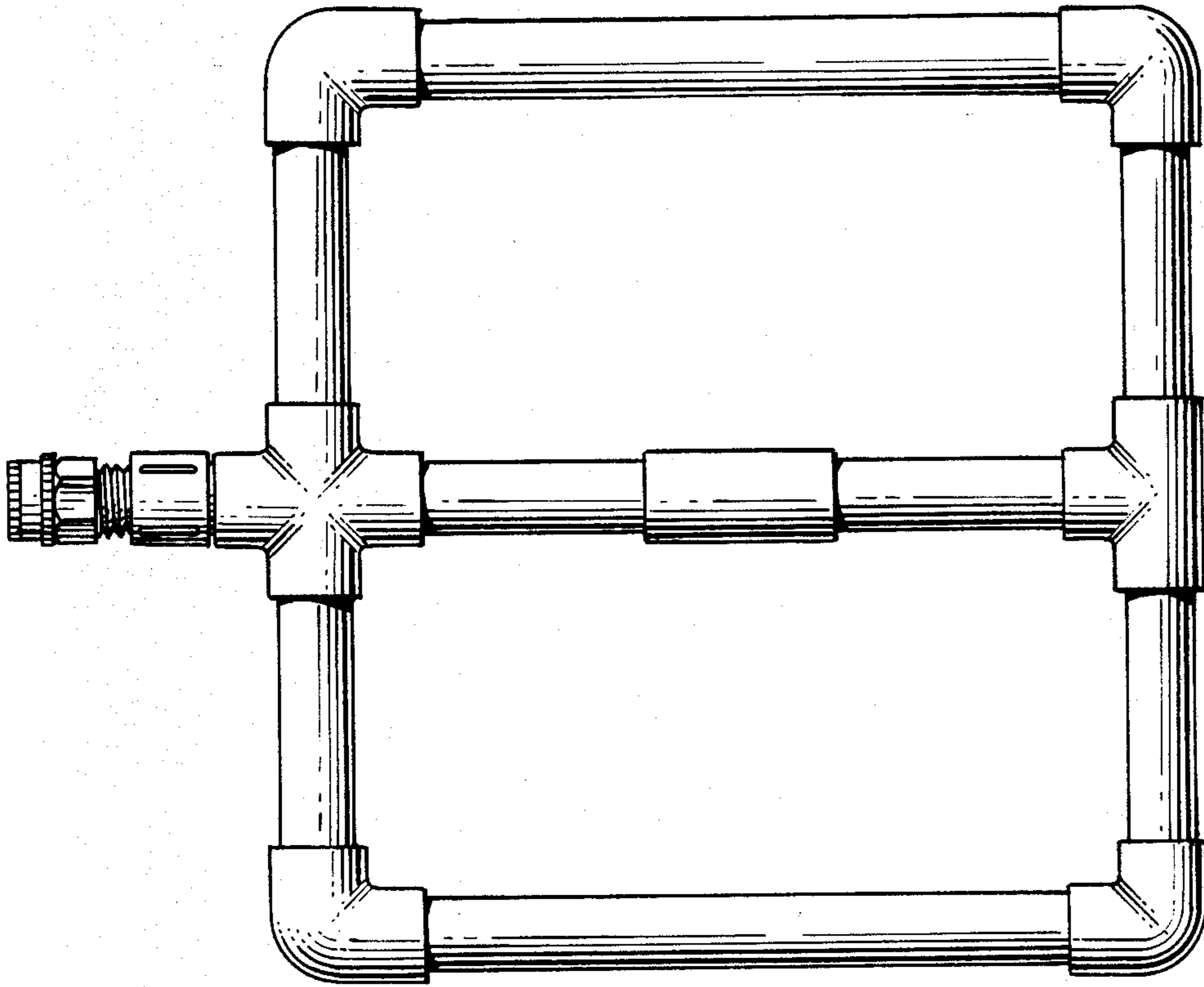


FIG. 5.

