

[54] INFLOW WATER TREATMENT ADAPTER FOR CHEMICAL TOILETS

[76] Inventors: Dwayne G Carreau; Pierre R. Carreau, both of P.O. Box 7343, South Lake Tahoe, Calif. 95731

[**] Term: 14 Years

[21] Appl. No.: 110,769

[22] Filed: Oct. 19, 1987

[52] U.S. Cl. D23/207

[58] Field of Search 210/435, 446, 448; D23/207, 208

[56] References Cited

U.S. PATENT DOCUMENTS

D. 201,797	8/1965	Johnson	D23/208
D. 275,594	9/1984	Hewson	D23/208
D. 295,887	5/1888	Hopkins	D23/207
D. 297,159	8/1888	Kool	D23/207
663,765	12/1900	Küchmann	210/446
2,670,851	3/1954	Curtis	210/435
2,685,969	8/1954	Curtis	210/435

2,798,613 7/1957 Tinker 210/446

FOREIGN PATENT DOCUMENTS

949019	2/1949	France	210/435
2061292	3/1972	France	210/446

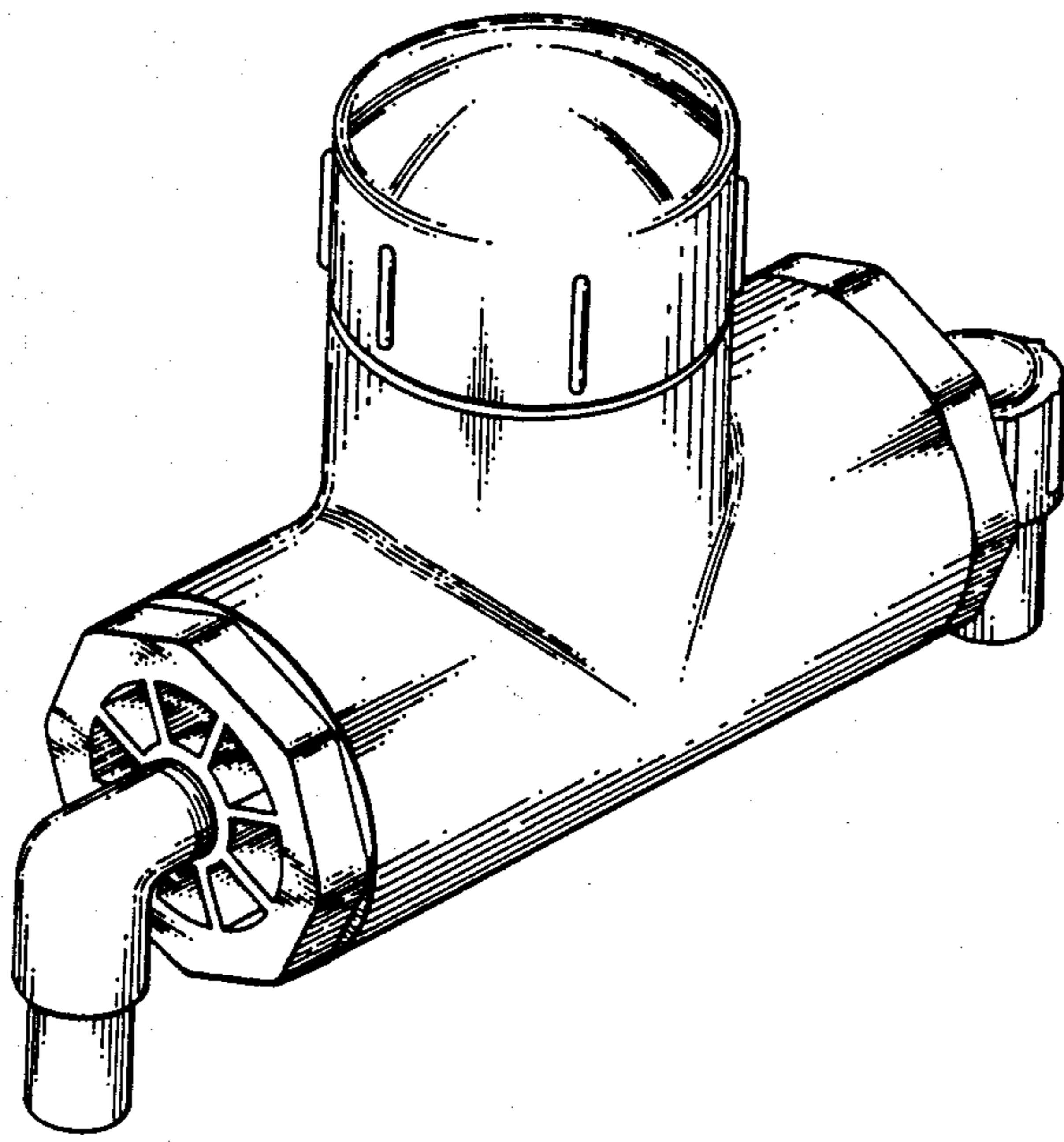
Primary Examiner—James M. Gandy
Assistant Examiner—Lisa Lichtenstein
Attorney, Agent, or Firm—Lothrop & West

[57] CLAIM

The ornamental design for an inflow water treatment adapter for chemical toilets, as shown and described.

DESCRIPTION

FIG. 1 is a left front perspective of an inflow water treatment adapter for chemical toilets, showing our new design;
FIG. 2 is a side elevational view, the opposite side elevational view being substantially a mirror image, thereof;
FIG. 3 is a top plan view, thereof;
FIG. 4 is a bottom plan view, thereof;
FIG. 5 is an elevational view of one end, thereof; and, FIG. 6 is an elevational view of the other end.



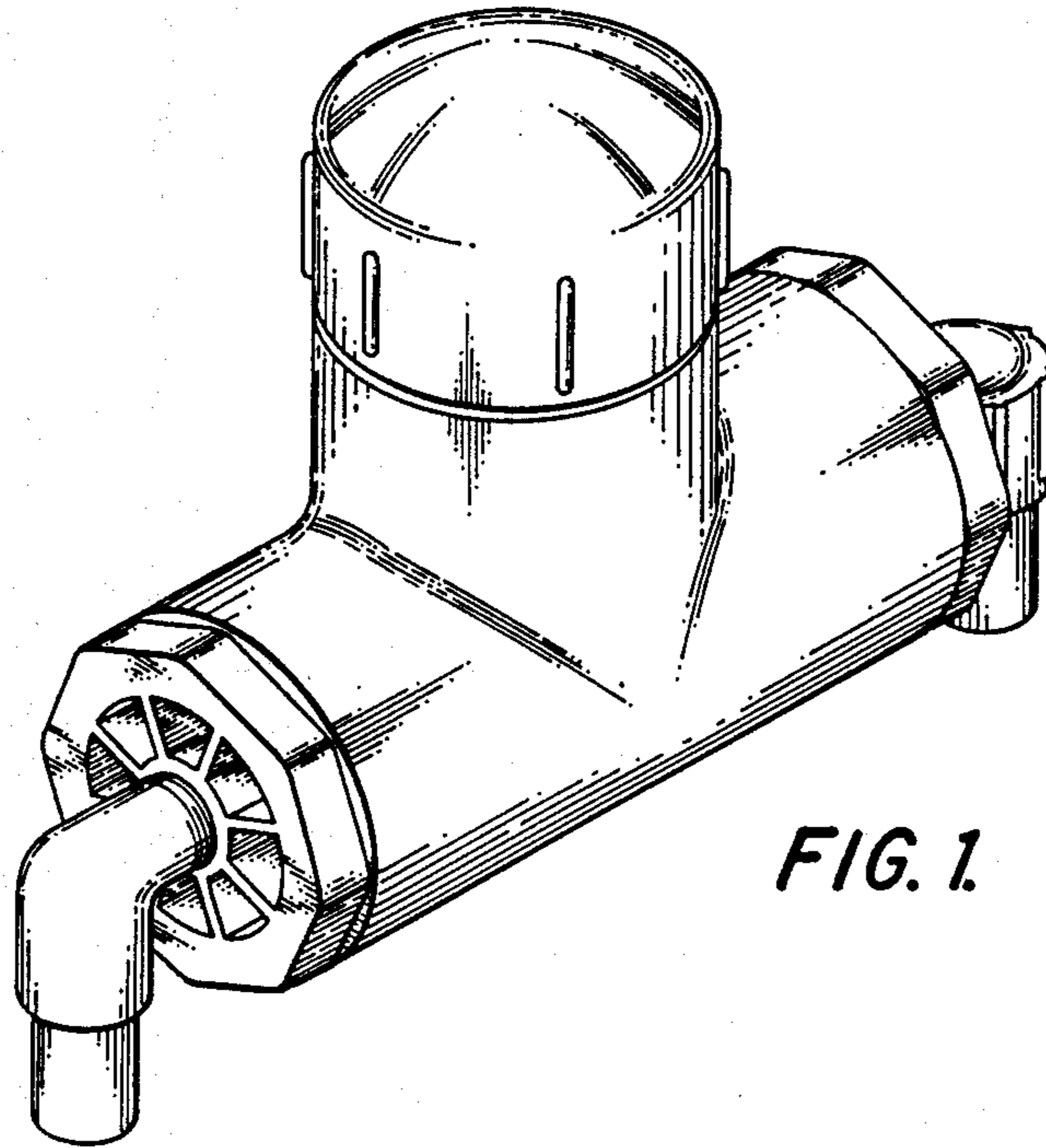


FIG. 1.

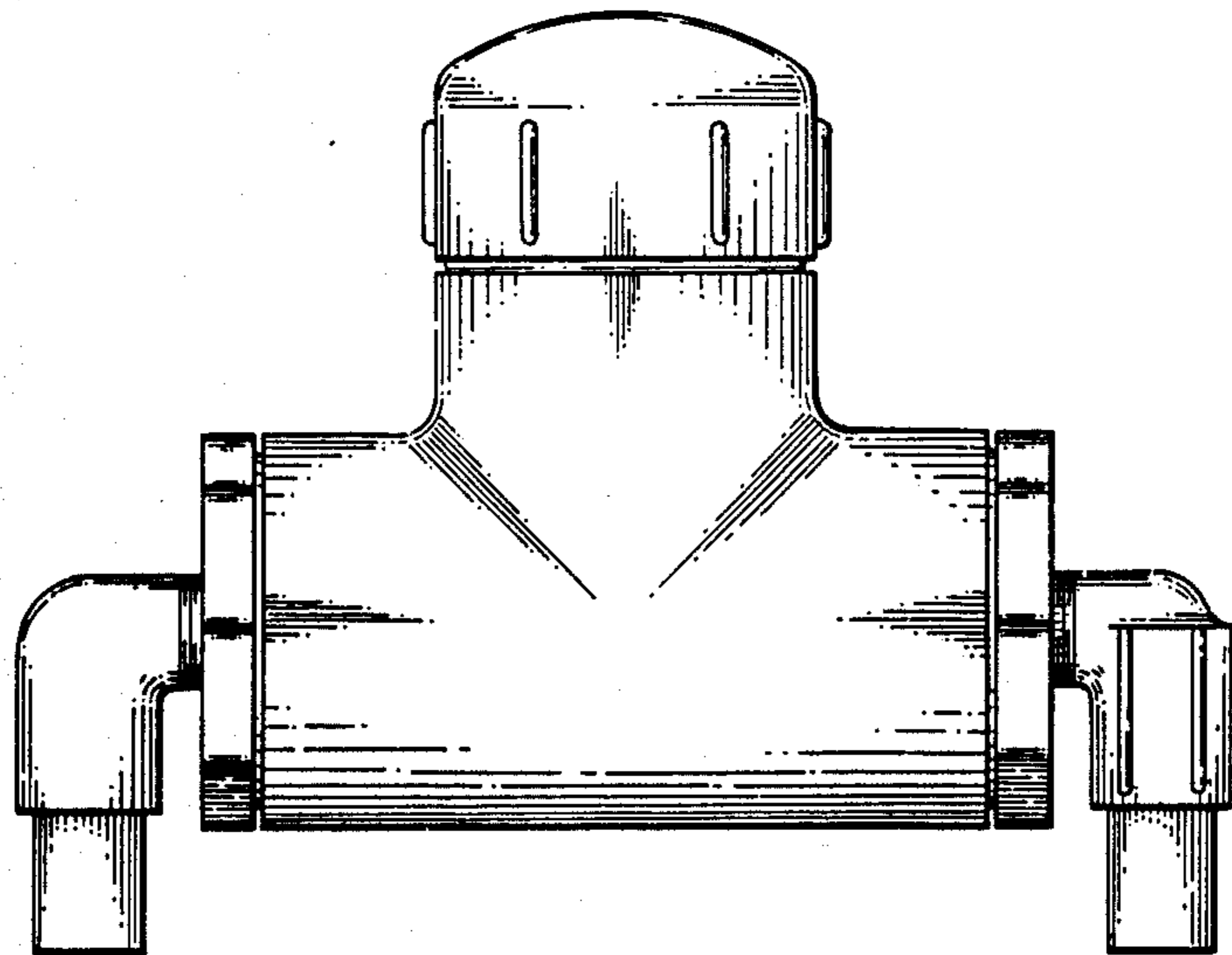


FIG. 2.

FIG. 3.

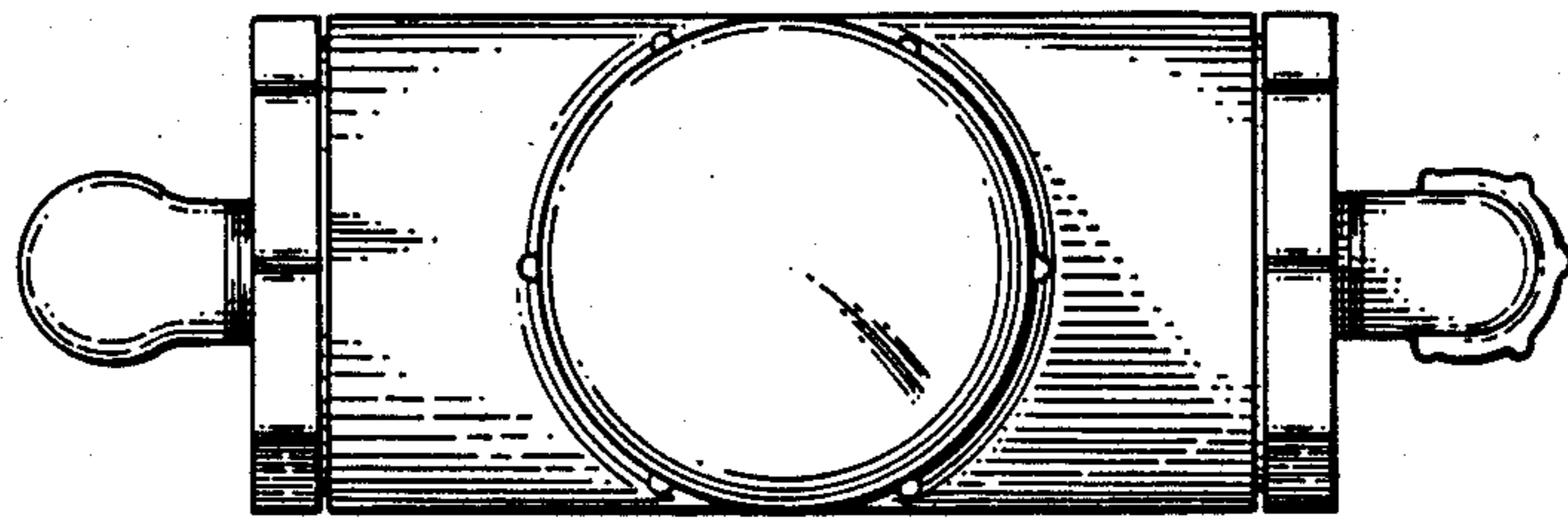


FIG. 4.

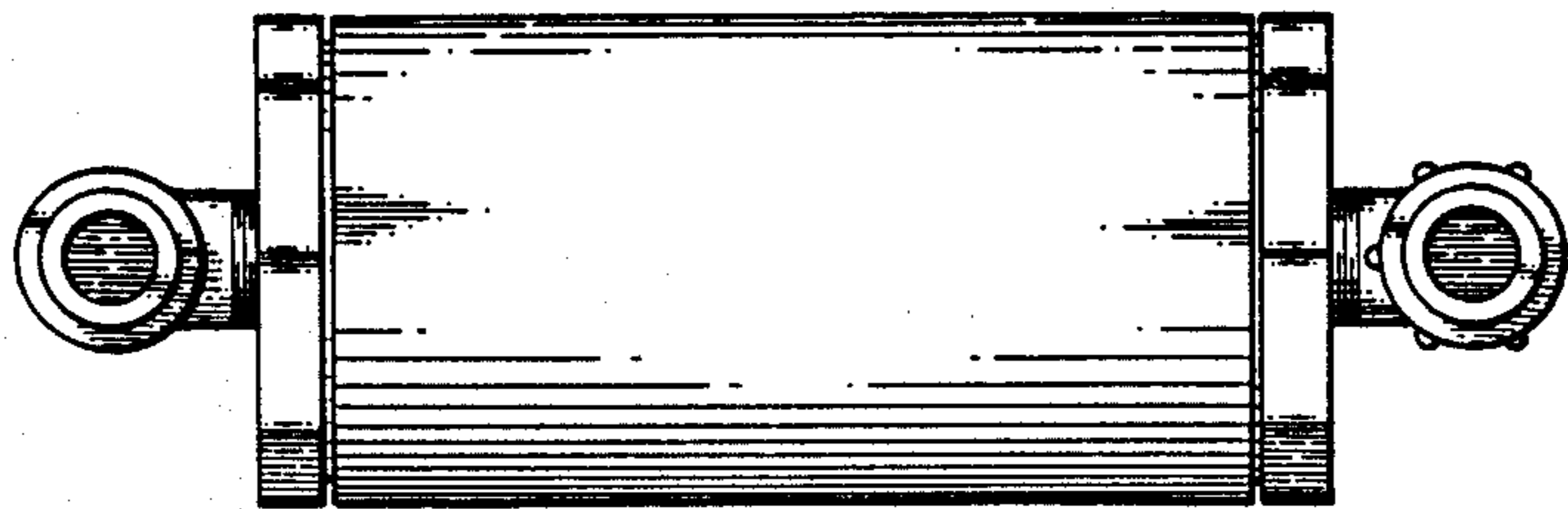


FIG. 5.

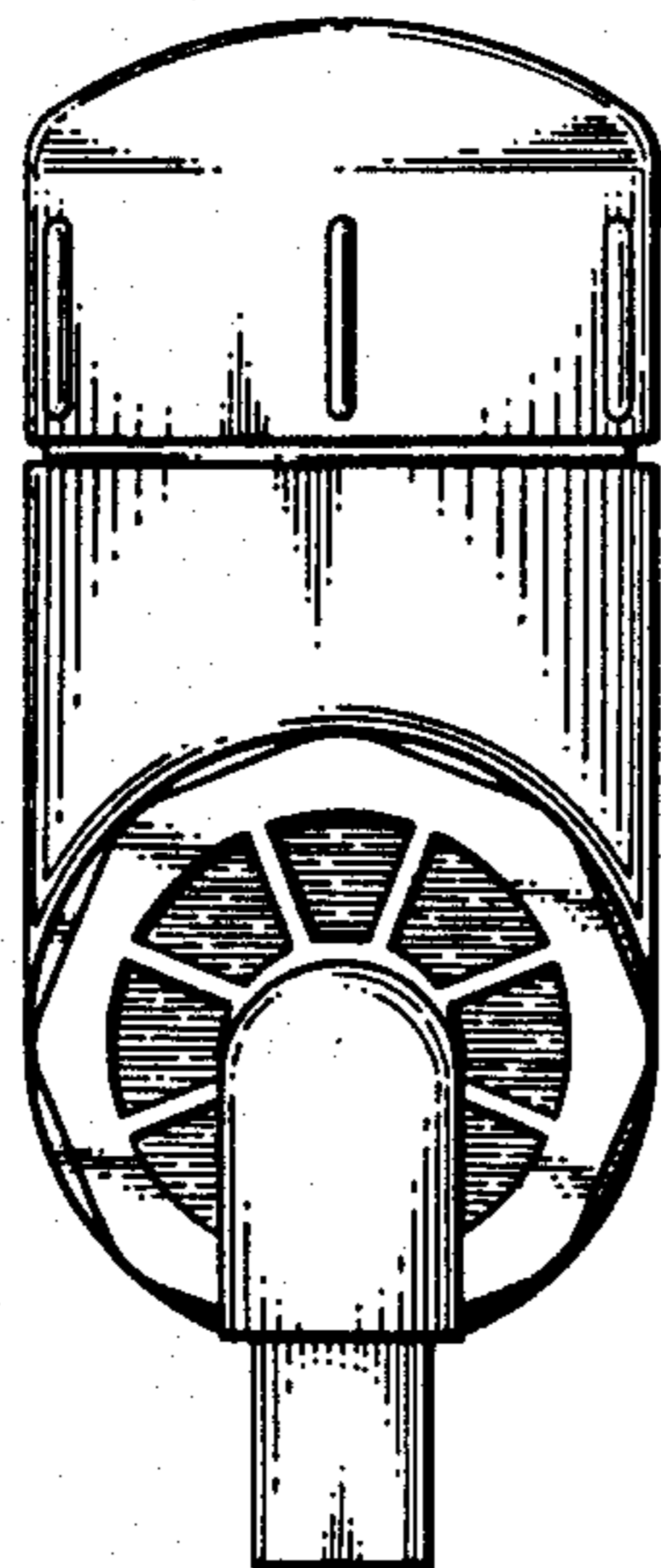


FIG. 6.

