

[54] COMBINED FIREARM CARRYING HANDLE AND SIGHT

4,128,042 12/1978 Atchisson ..... 89/138  
4,663,878 5/1987 Beretta ..... 42/100

[75] Inventor: Joseph L. Lee, Woodbridge, Conn.

Primary Examiner—A. Hugo Word

[73] Assignee: O.F. Mossberg and Sons, Inc., North Haven, Conn.

Assistant Examiner—Doris Clark

Attorney, Agent, or Firm—McCormick, Paulding & Huber

[\*\*] Term: 14 Years

[57] CLAIM

[21] Appl. No.: 910,187

The ornamental design for a combined firearm carrying handle and sight, as shown and described.

[22] Filed: Sep. 22, 1986

[52] U.S. Cl. .... D22/108; D22/109

DESCRIPTION

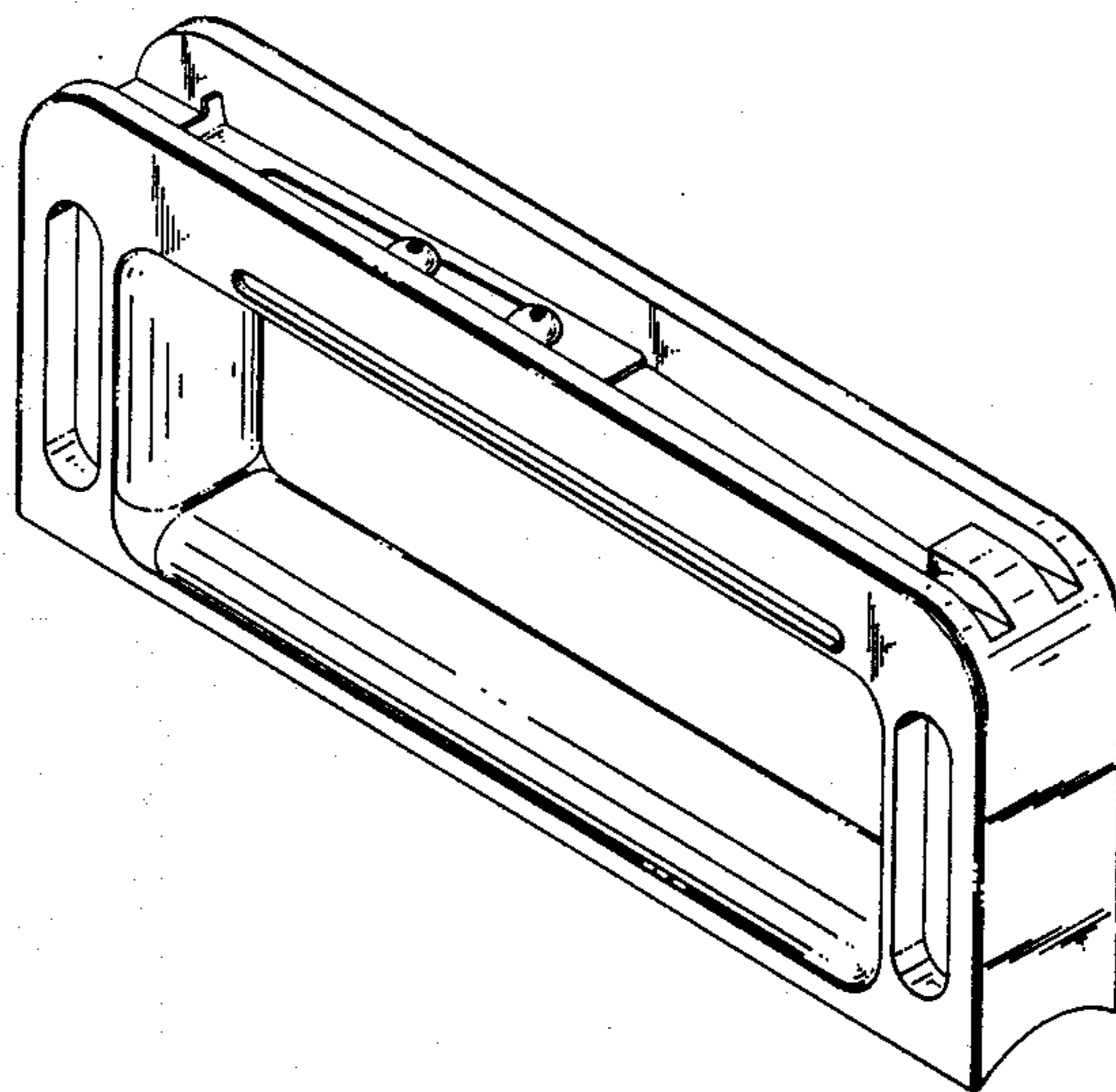
[58] Field of Search ..... D22/108, 109, 110, 103; 89/1.42, 138, 128, 191.01; 42/100, 77, 71.01, 75.01, 75.02, 75.03, 77, 105, 101

FIG. 1 is a top perspective view of a combined firearm carrying handle and sight, embodying my new design; FIG. 2 is a side elevational view thereof; the opposite side being a mirror image thereof; FIG. 3 is a top plan view thereof; FIG. 4 is a bottom plan view thereof; FIG. 5 is rear end view thereof; FIG. 6 is a front end view thereof.

[56] References Cited

U.S. PATENT DOCUMENTS

D. 285,236 8/1986 Brunton ..... D22/108  
3,939,589 2/1976 Tellie ..... 42/100



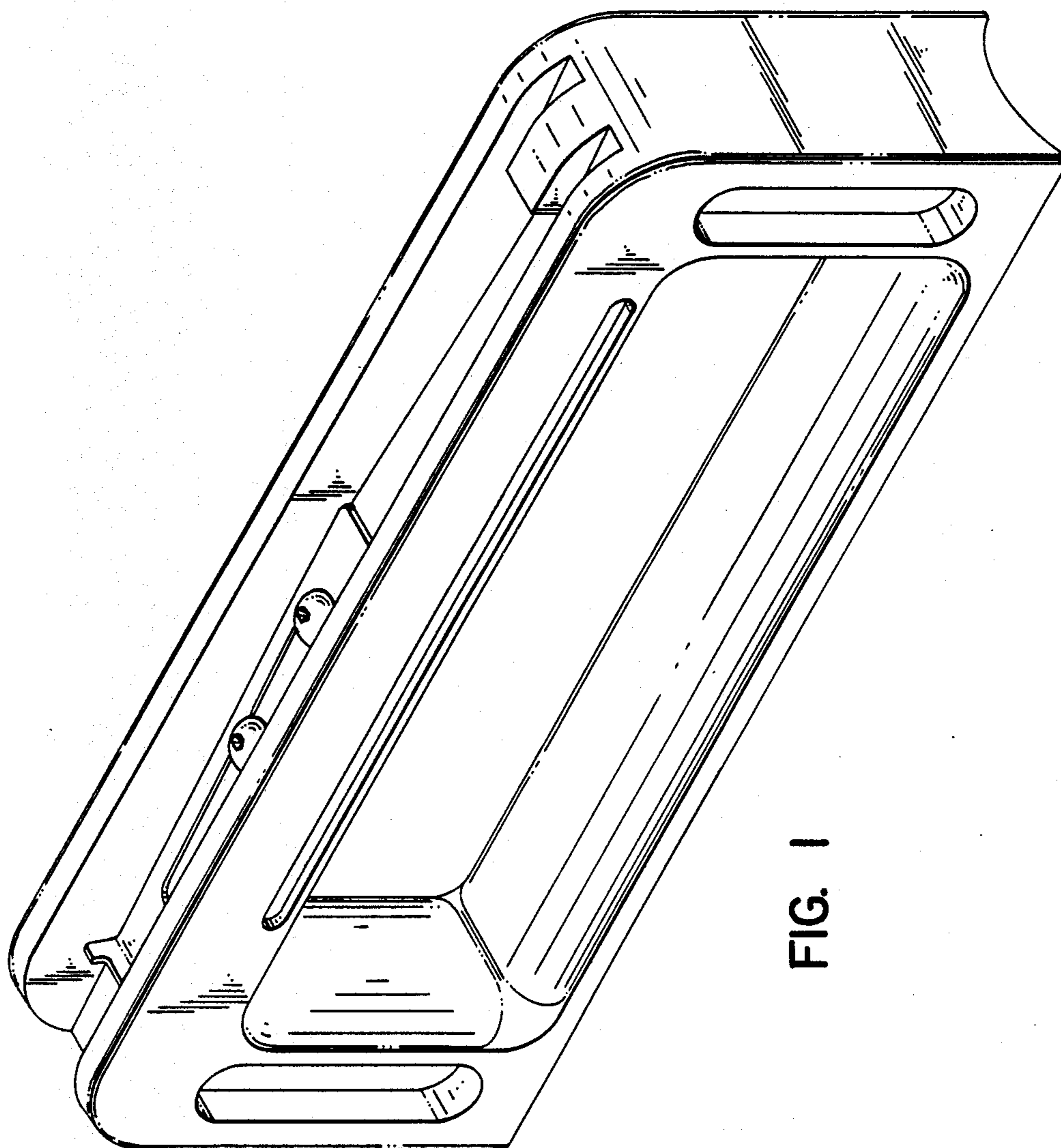


FIG. 1

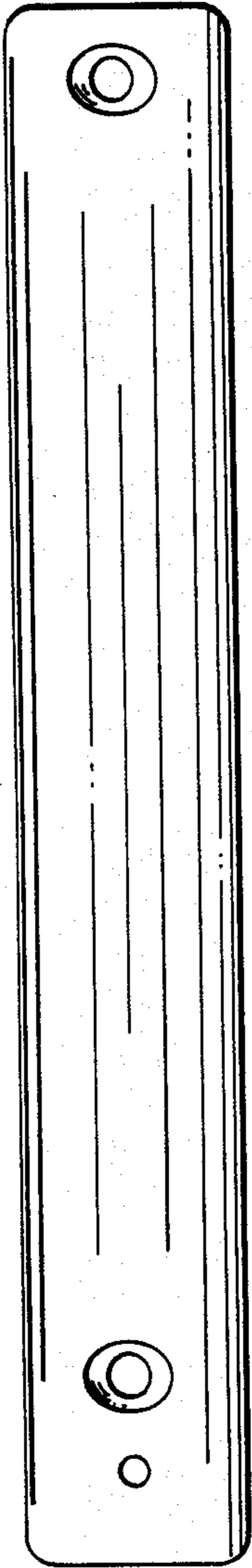


FIG. 4

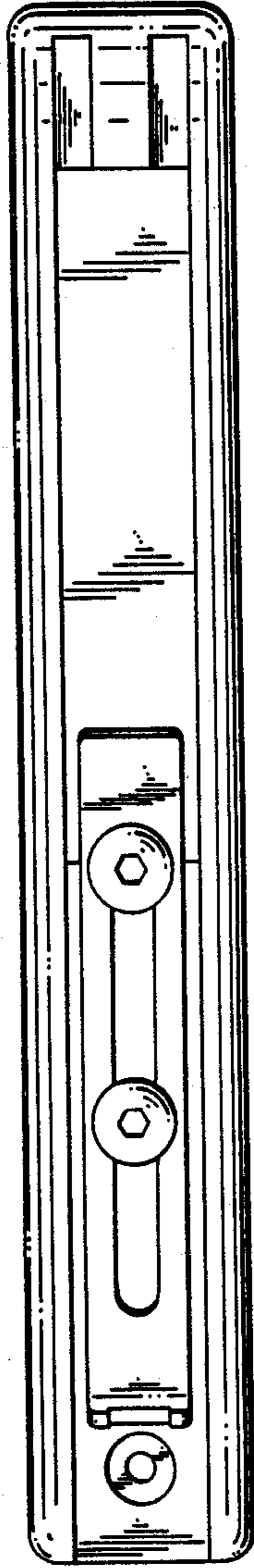


FIG. 3

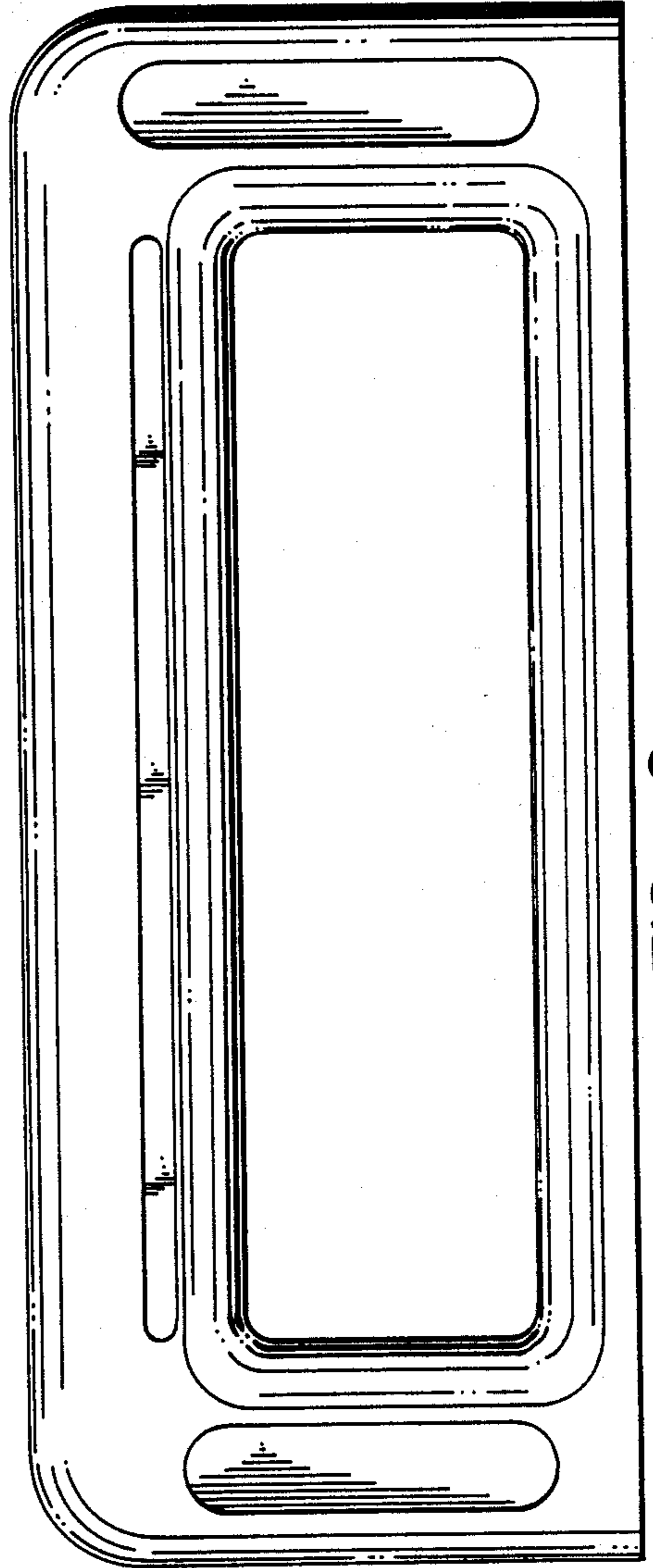


FIG. 2

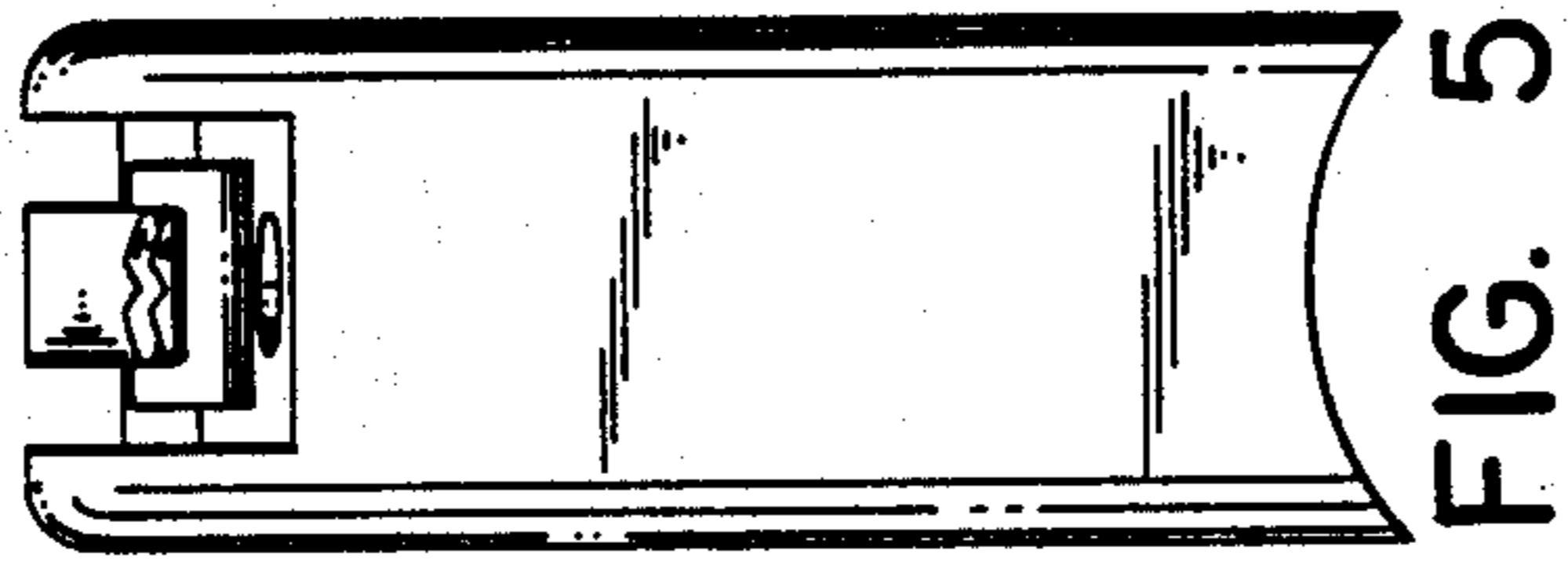


FIG. 5

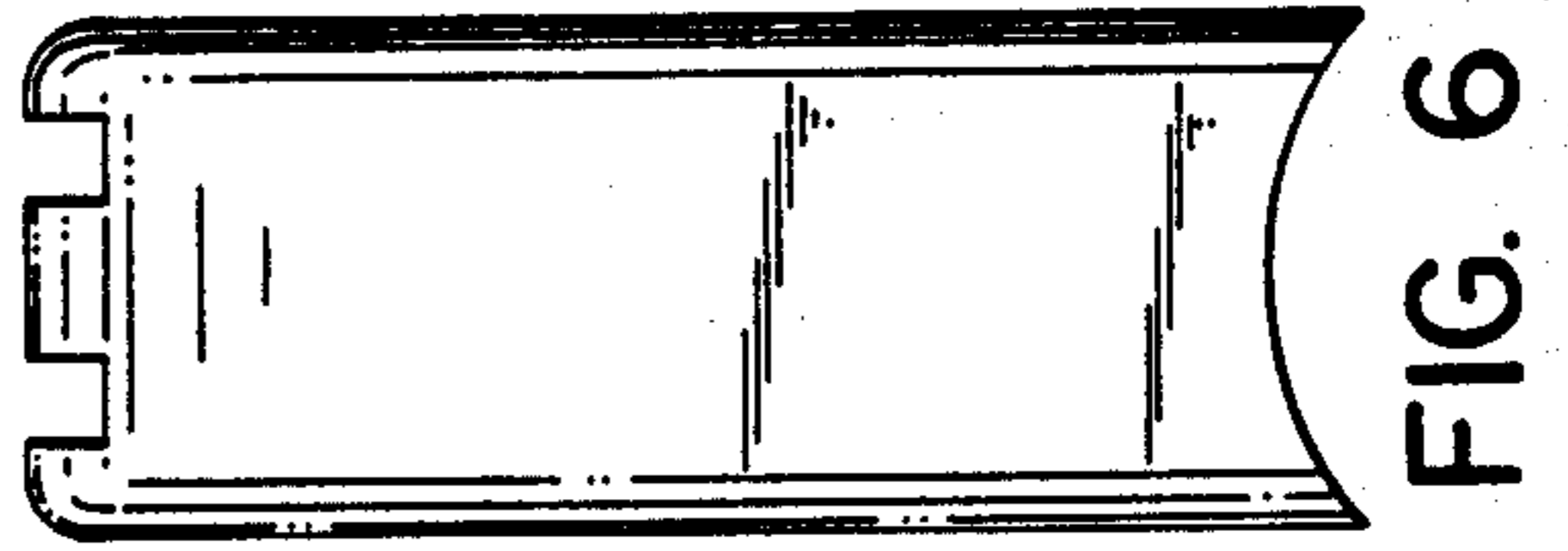


FIG. 6