

[54] SINGLE WHEEL SKATE OR SIMILAR ARTICLE

1,632,997 6/1927 Connolly 288/11.19
4,155,565 5/1979 De Caussin D21/226

[76] Inventor: Chuan-Hai Huang, No. 13, Lane 2, Chang Shou St., Shu Lin Town, Taipei Hsien, Taiwan

Primary Examiner—Charles A. Rademaker
Attorney, Agent, or Firm—Saidman, Sterne, Kessler & Goldstein

[**] Term: 14 Years

[57] CLAIM

[21] Appl. No.: 101,958

The ornamental design for single wheel skate or similar article, as shown and described.

[22] Filed: Sep. 28, 1987

DESCRIPTION

[52] U.S. Cl. D21/226

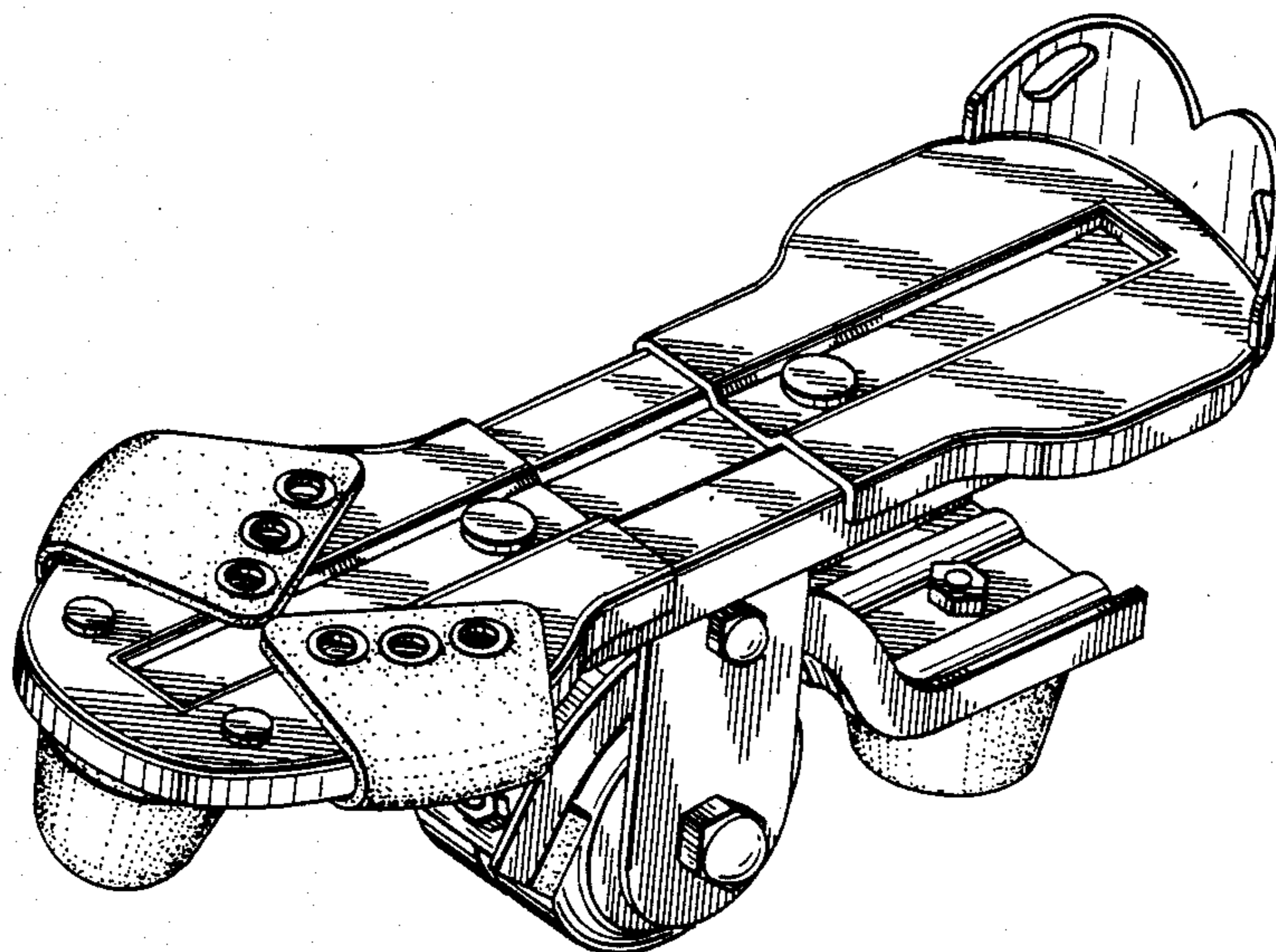
[58] Field of Search D21/226, 227;
280/11.1 R, 11.19, 11.2, 11.3, 11.27

FIG. 1 is a right side elevational view of single wheel skate or similar article, showing my new design; FIG. 2 is a left side elevational view thereof; FIG. 3 is a front elevational view thereof; FIG. 4 is a rear elevational view thereof; FIG. 5 is a top plan view thereof; FIG. 6 is a bottom plan view thereof; and FIG. 7 is a perspective view thereof.

[56] References Cited

U.S. PATENT DOCUMENTS

D. 263,517 3/1982 Ellington D21/226
301,606 7/1884 Johnson 280/11.19



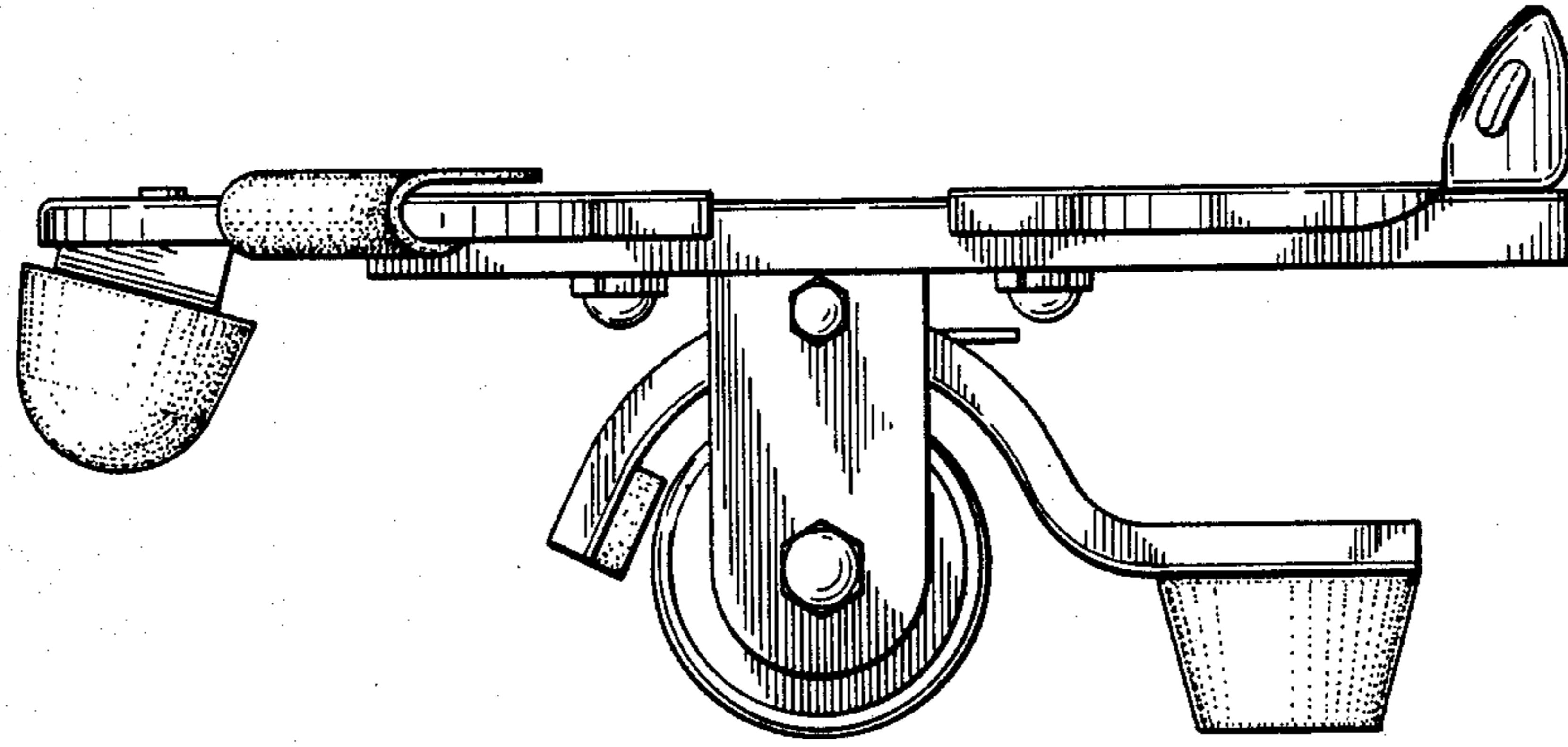


FIG. 1

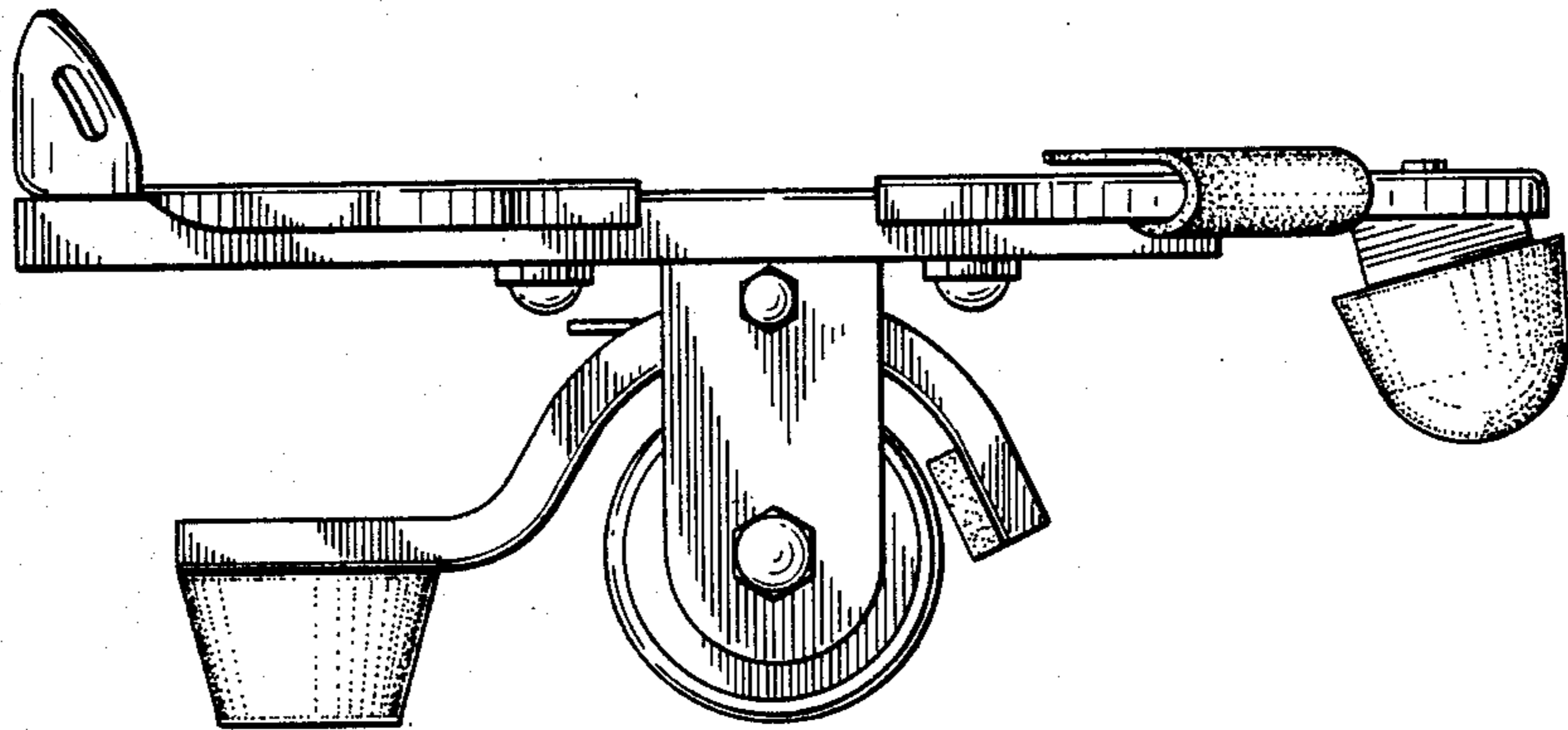


FIG. 2

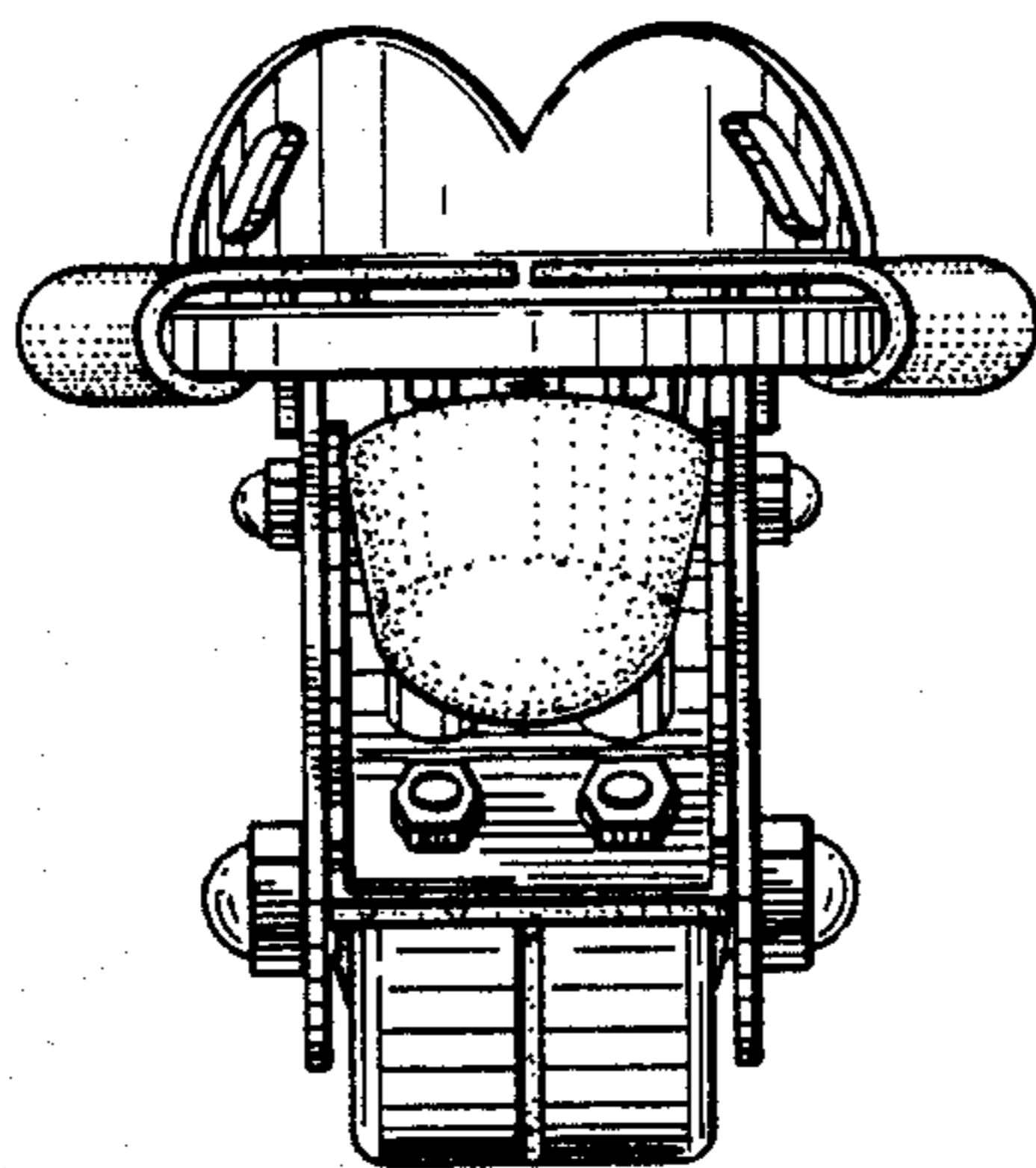


FIG. 3

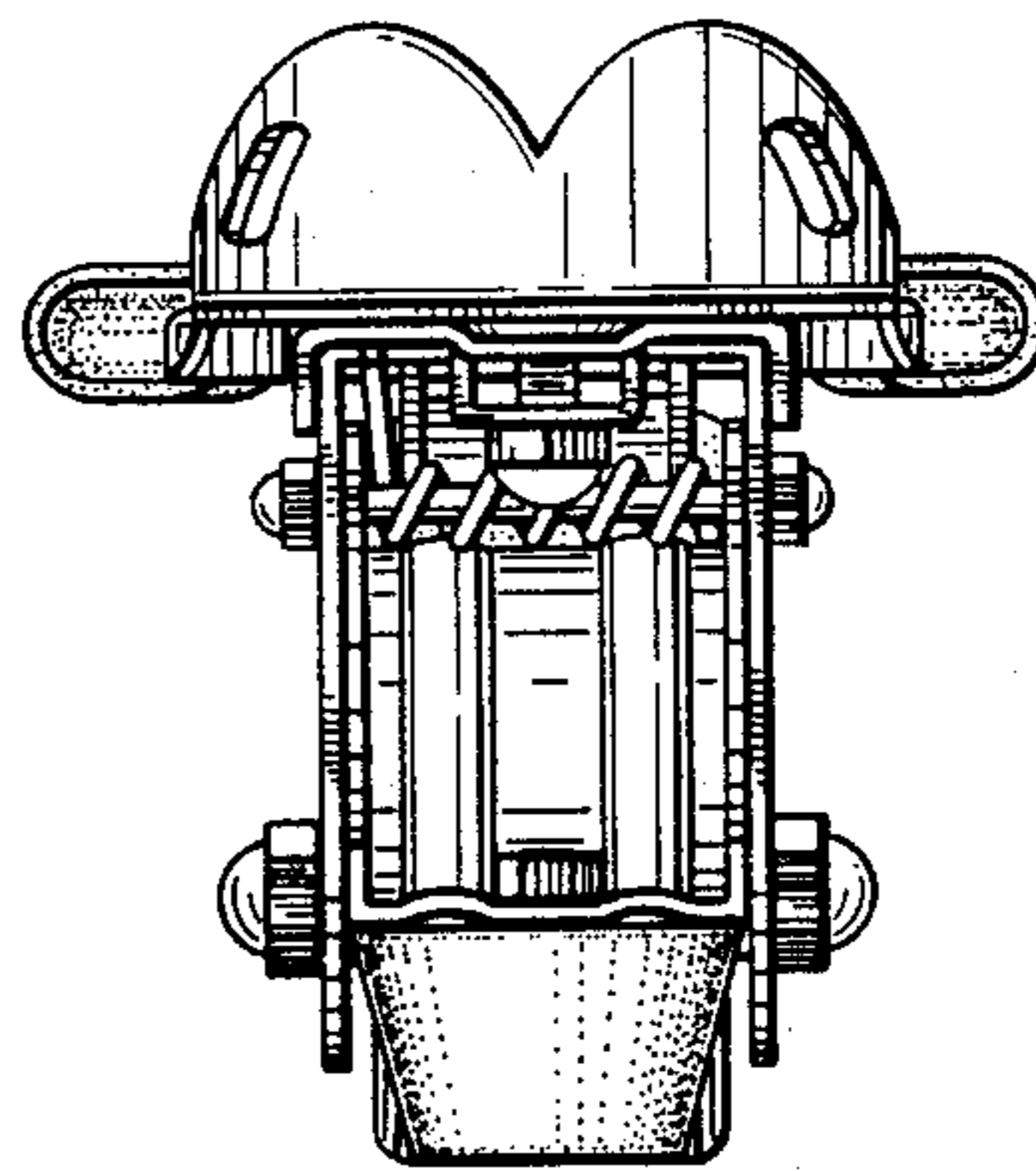


FIG. 4

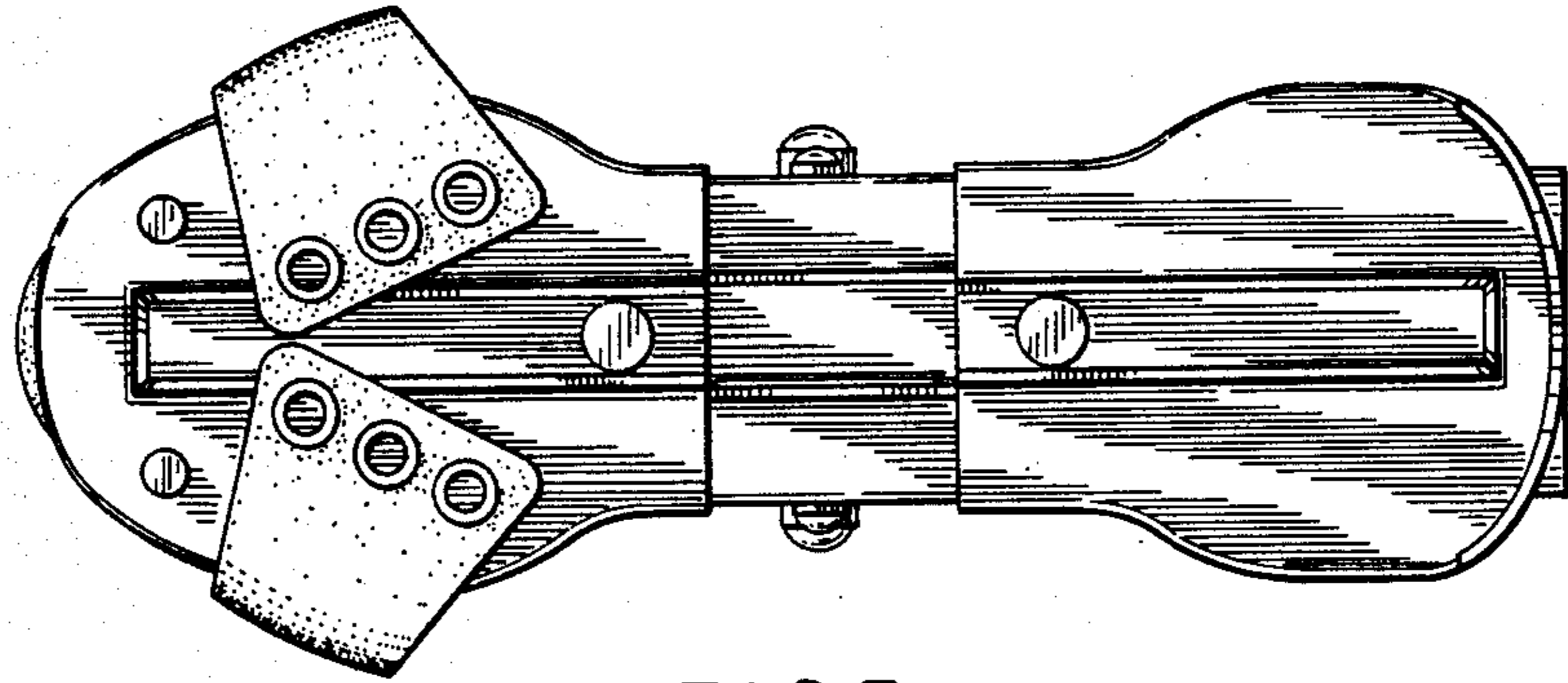


FIG. 5

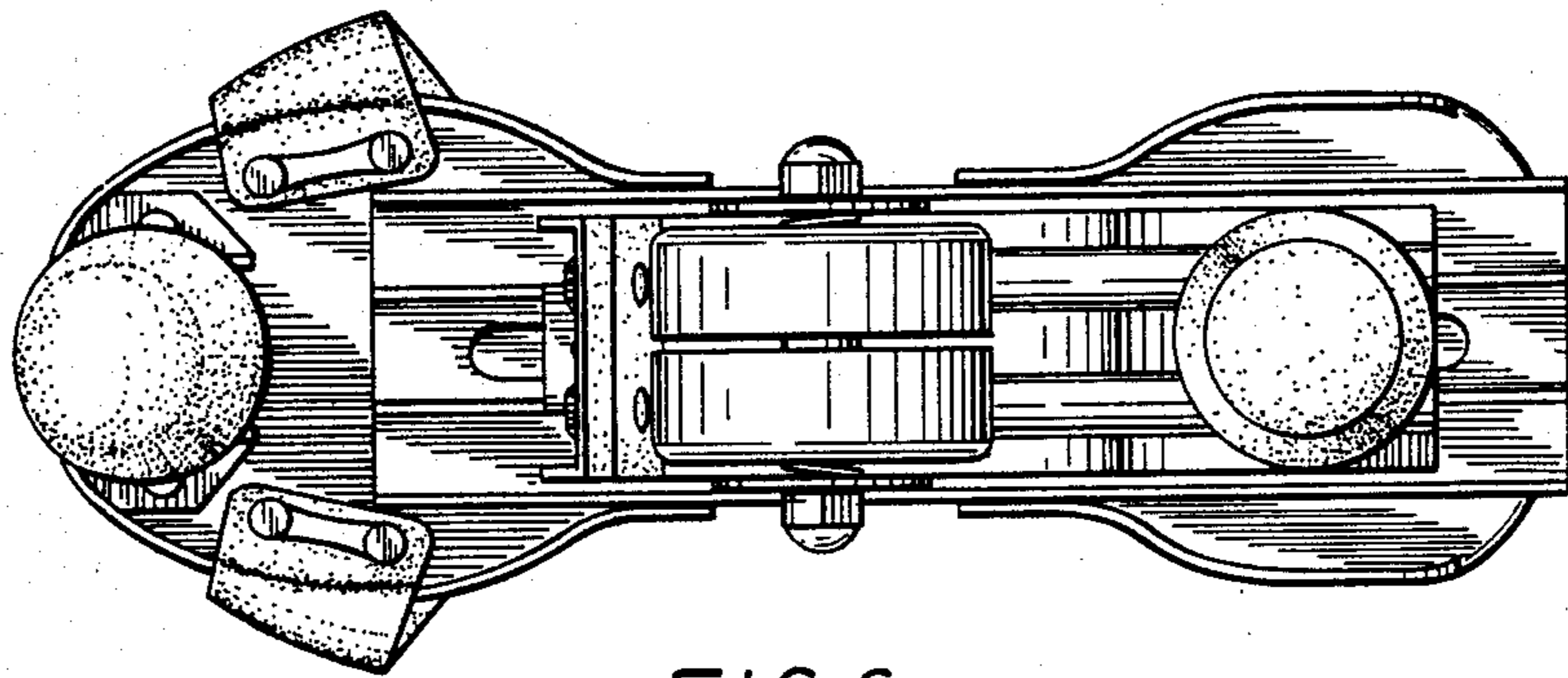


FIG. 6

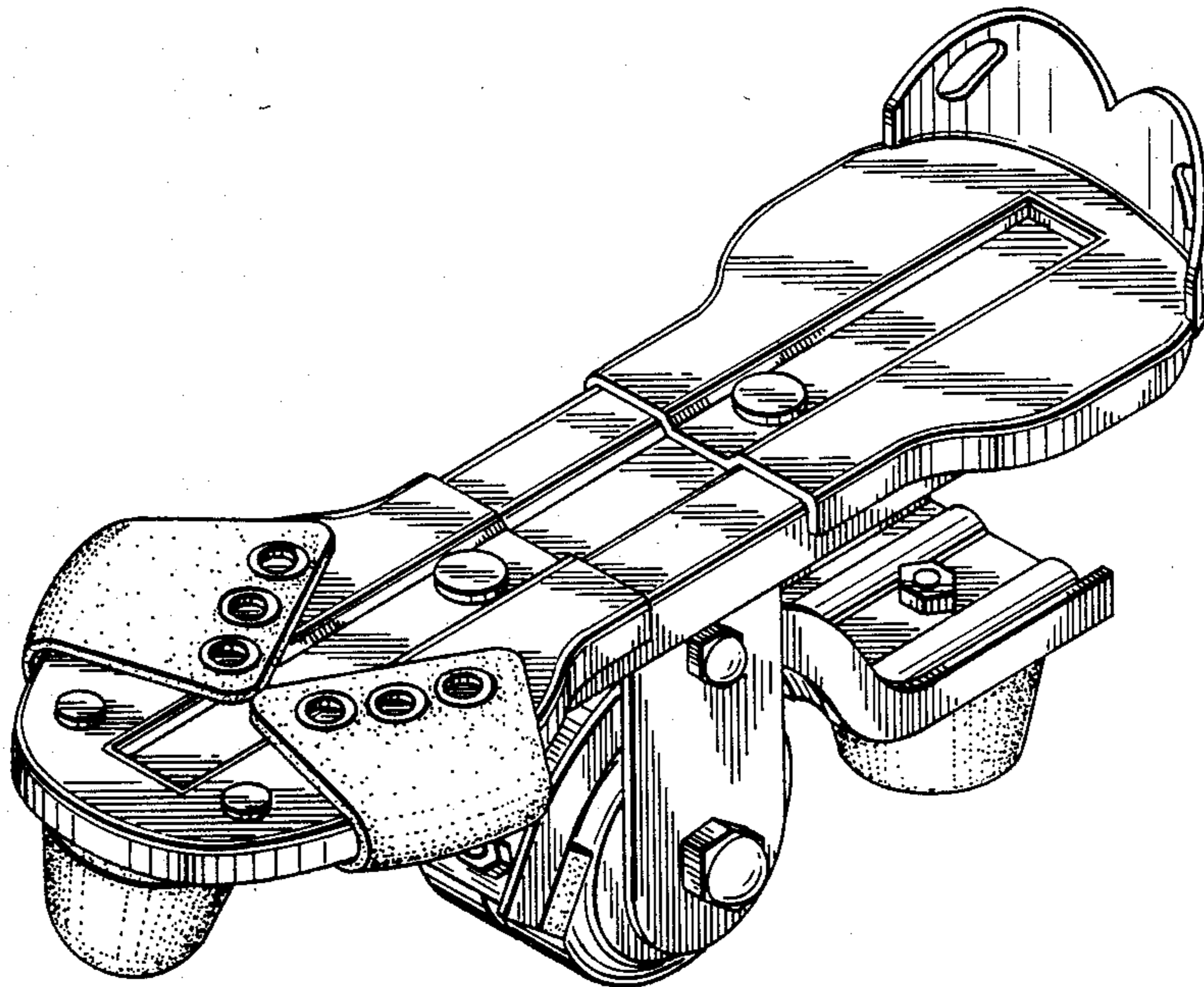


FIG. 7