

[54] RECONFIGURABLE TOY JET-PLANE

[75] Inventor: Takayuki Ishizawa, Souka, Japan

[73] Assignee: Takara Co., Ltd., Tokyo, Japan

[\*\*] Term: 14 Years

[21] Appl. No.: 14,675

[22] Filed: Feb. 13, 1987

[30] Foreign Application Priority Data

Dec. 5, 1986 [JP] Japan ..... 61-481140

[52] U.S. Cl. .... D21/150; D21/87; D21/166

[58] Field of Search ..... D21/81-89, D21/150, 166; 446/30-31, 40-45, 61-67, 71-77, 487; D12/319-321

[56] References Cited

U.S. PATENT DOCUMENTS

- D. 219,042 10/1970 King et al. .... D21/87 .
- D. 278,643 4/1985 Ogawa ..... D21/150
- D. 279,017 5/1985 Boudreaux ..... D21/87
- D. 294,046 2/1988 Doi ..... D21/150
- D. 294,049 2/1988 Ohno ..... D21/150

Primary Examiner—Charles A. Rademaker  
Attorney, Agent, or Firm—Price, Gess & Ubell

[57] CLAIM

The ornamental design for a reconfigurable toy jet-plane, as shown and described.

DESCRIPTION

FIG. 1 is a front perspective view of a reconfigurable toy jet-plane showing my new design;  
 FIG. 2 is a front elevational view thereof;  
 FIG. 3 is a right side elevational view thereof, the side opposite being a mirror image;  
 FIG. 4 is a rear elevational view thereof;  
 FIG. 5 is a top plan view thereof;  
 FIG. 6 is a bottom plan view thereof;  
 FIG. 7 is another front perspective view of the design shown in FIGS. 1 through 6 in a humanoid robot configuration;  
 FIG. 8 is a front elevational view thereof;  
 FIG. 9 is a right side elevational view thereof, the side opposite being a mirror image;  
 FIG. 10 is a rear elevational view thereof;  
 FIG. 11 is a top plan view thereof; and  
 FIG. 12 is a bottom plan view thereof.

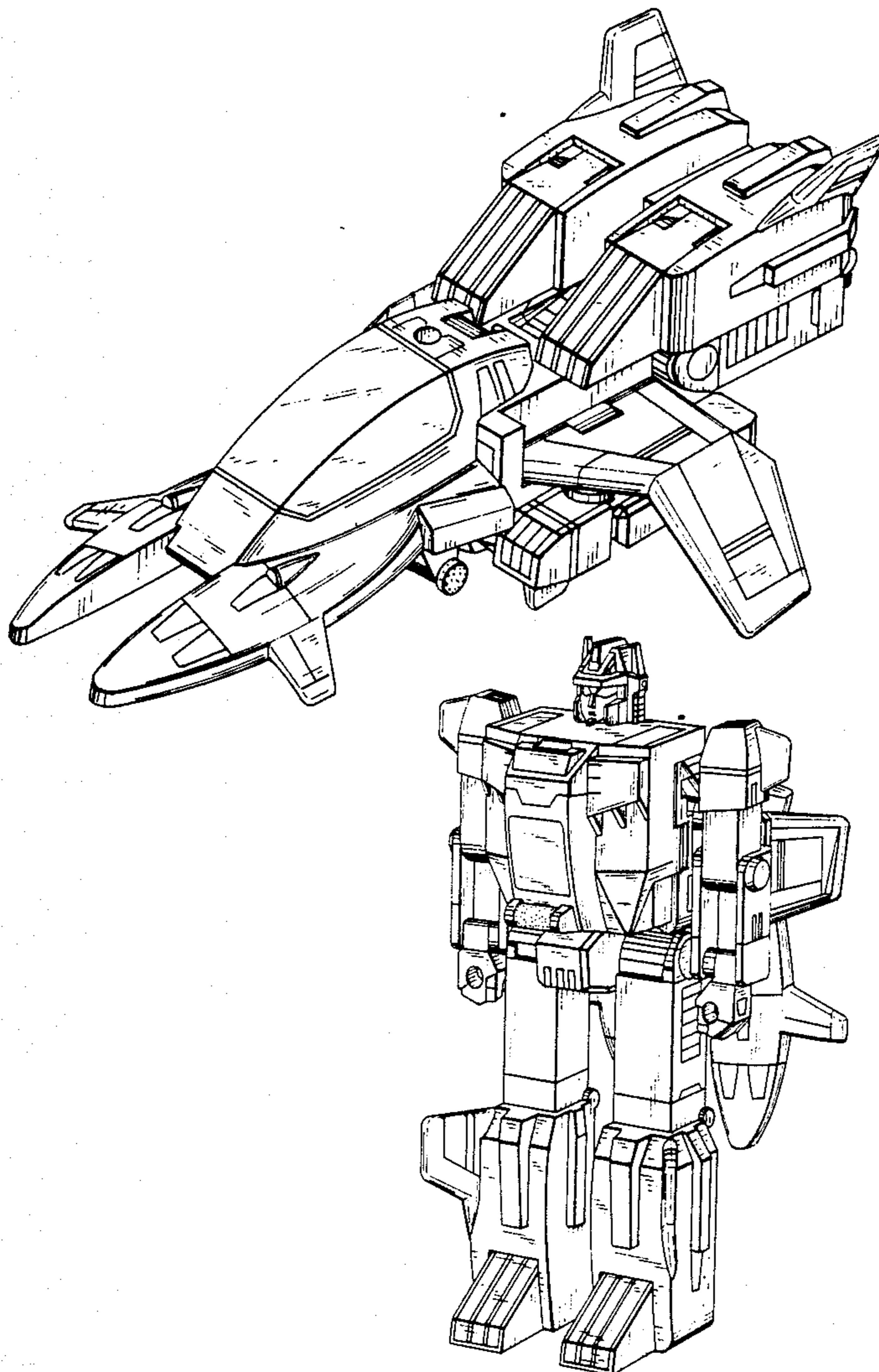


FIG. 1

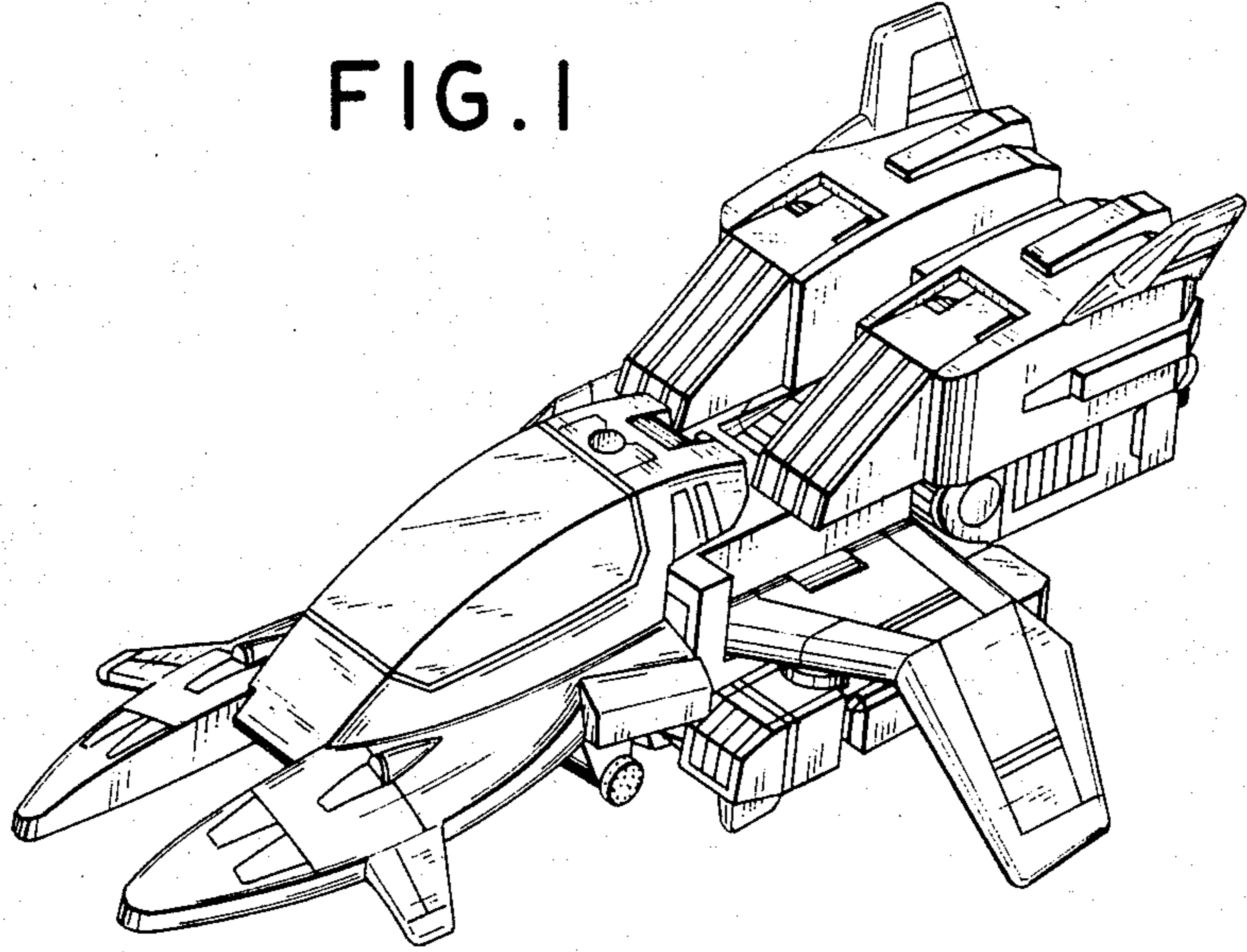


FIG. 2

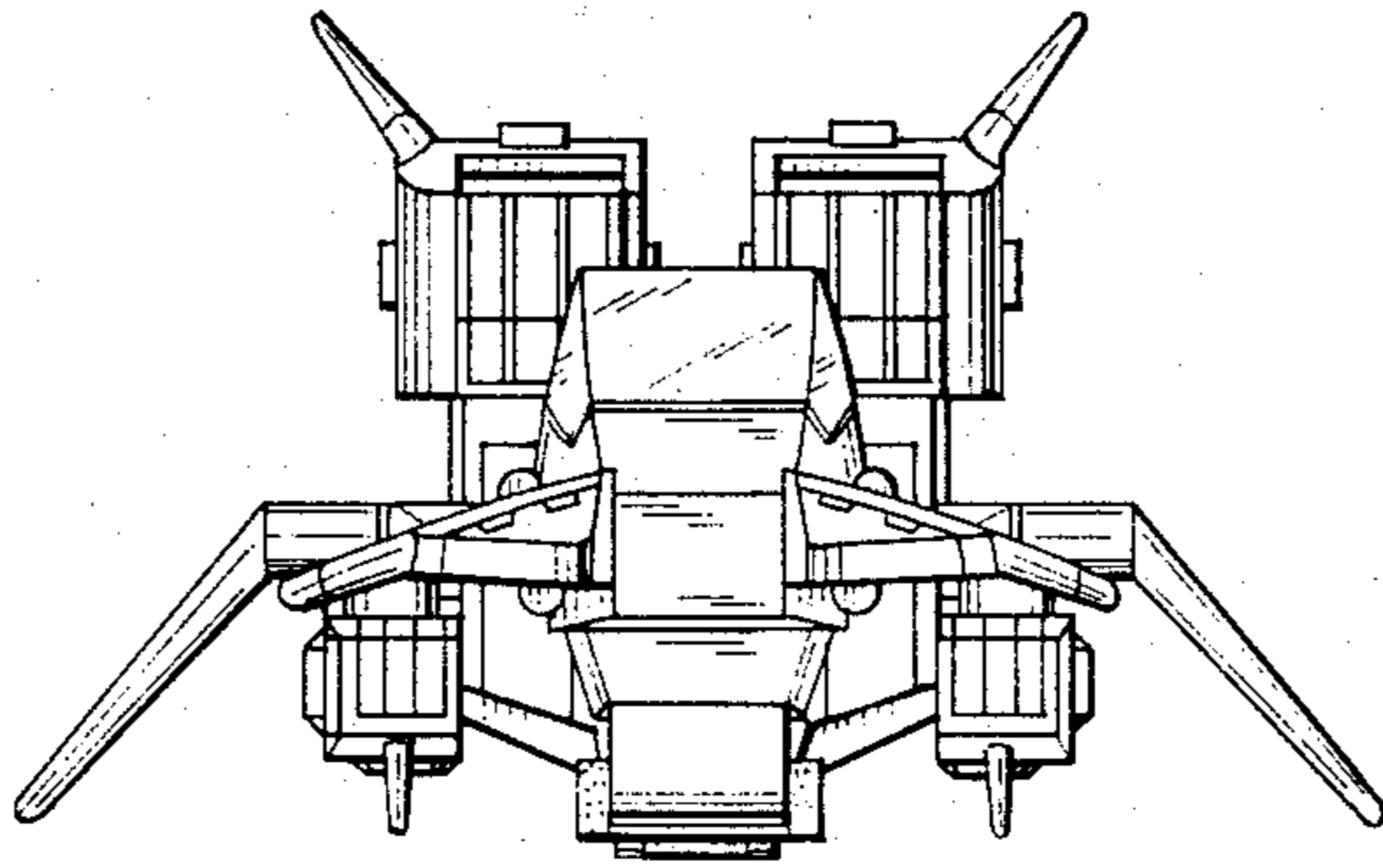


FIG. 3

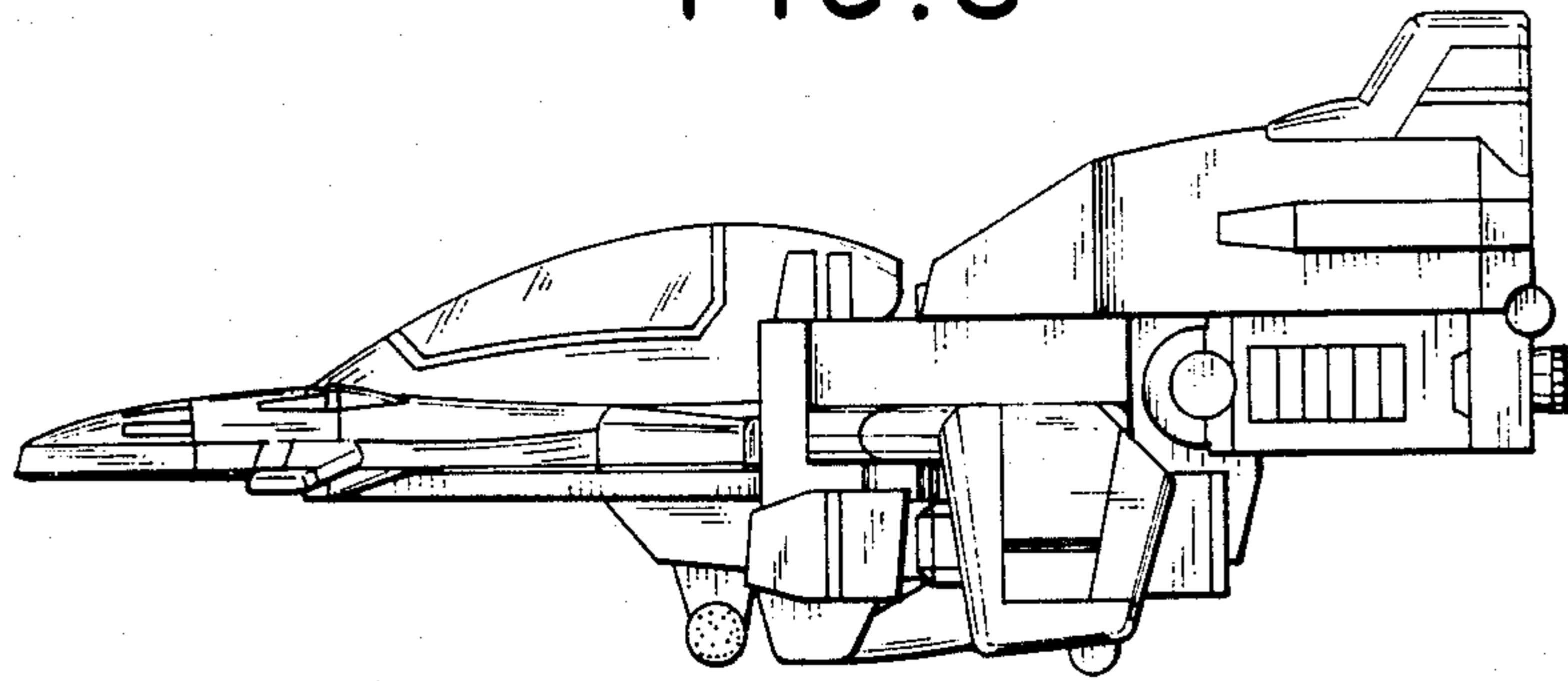


FIG. 4

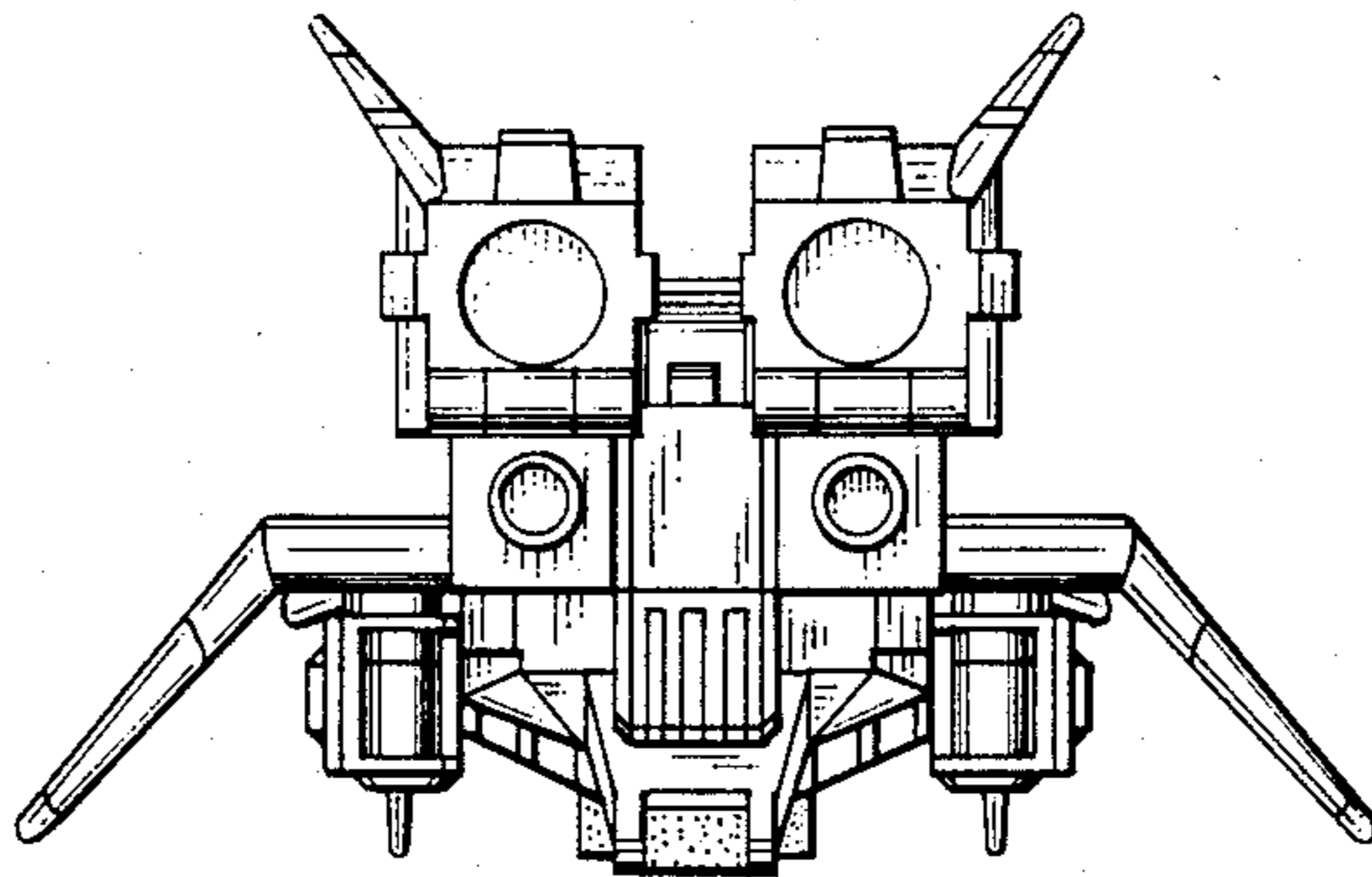


FIG. 5

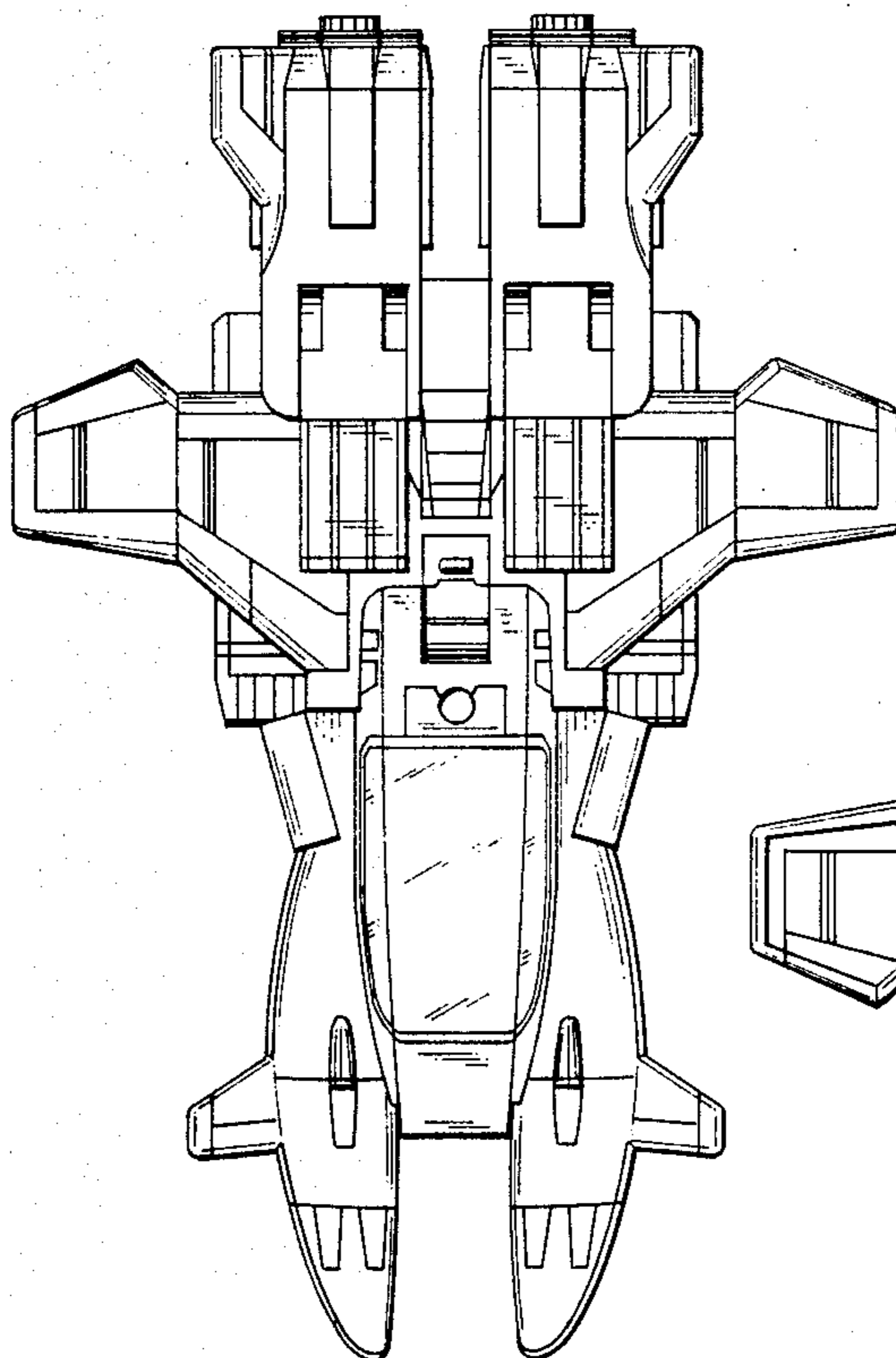


FIG. 6

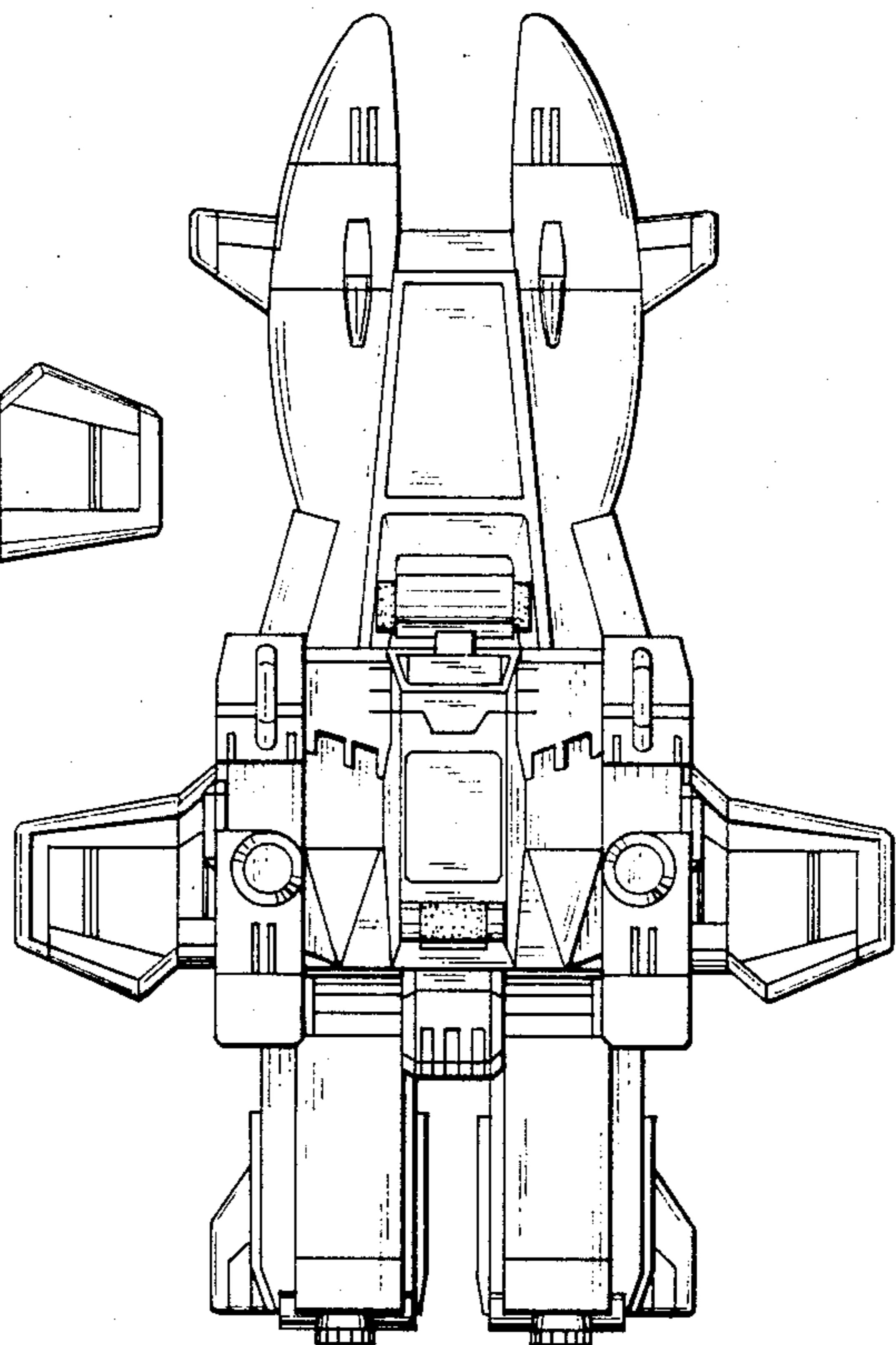


FIG. 7

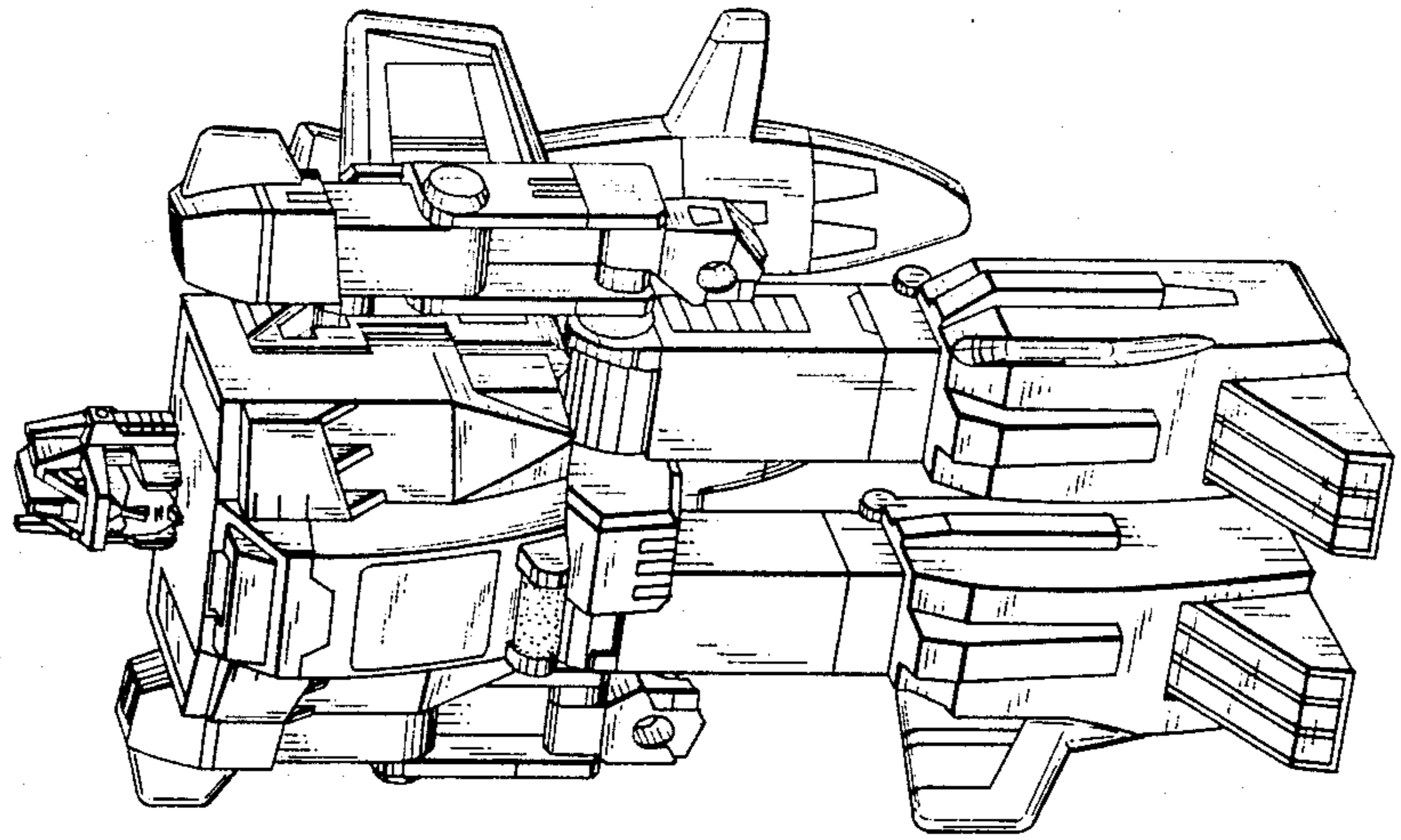


FIG. 8

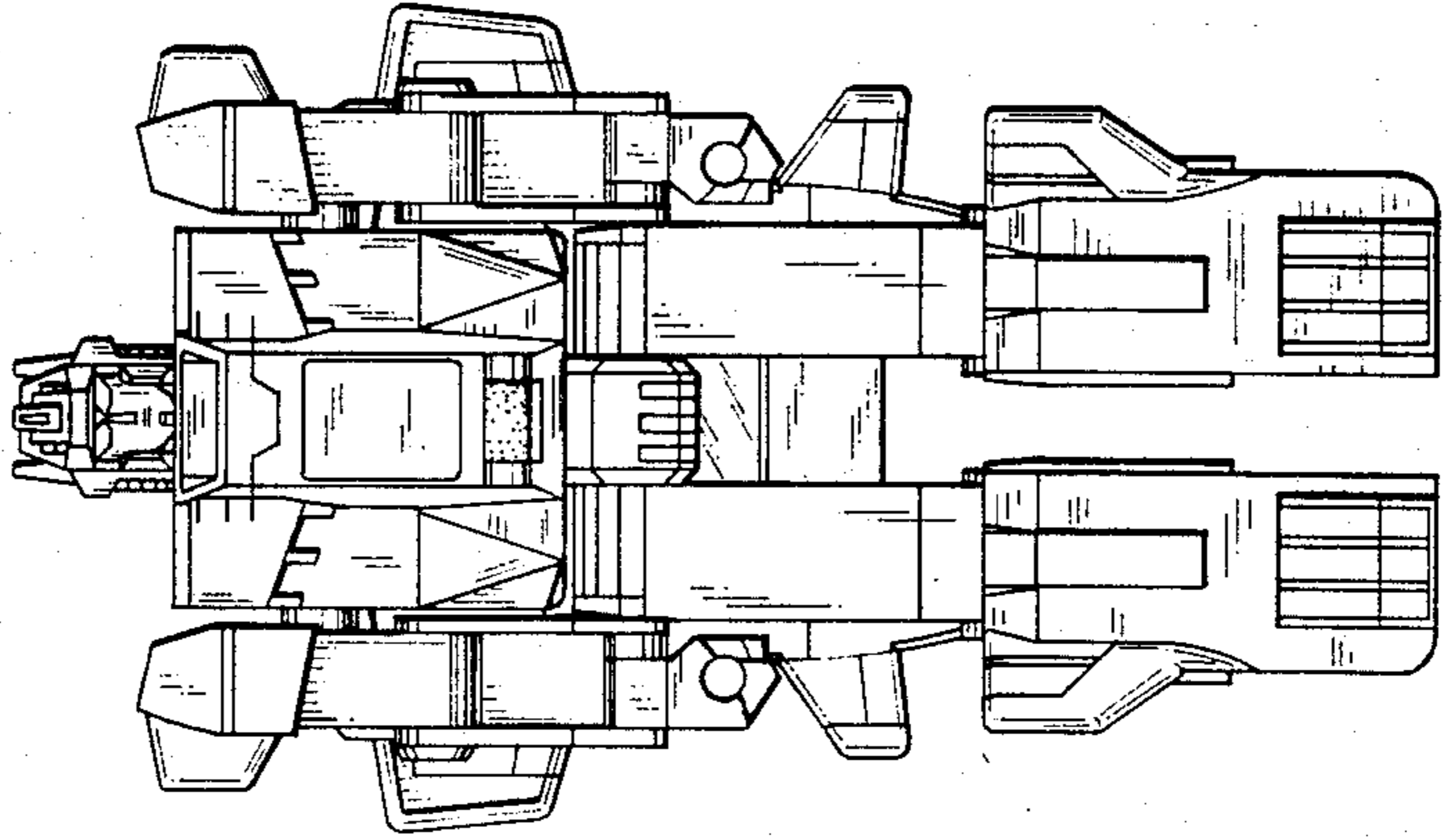


FIG. 9

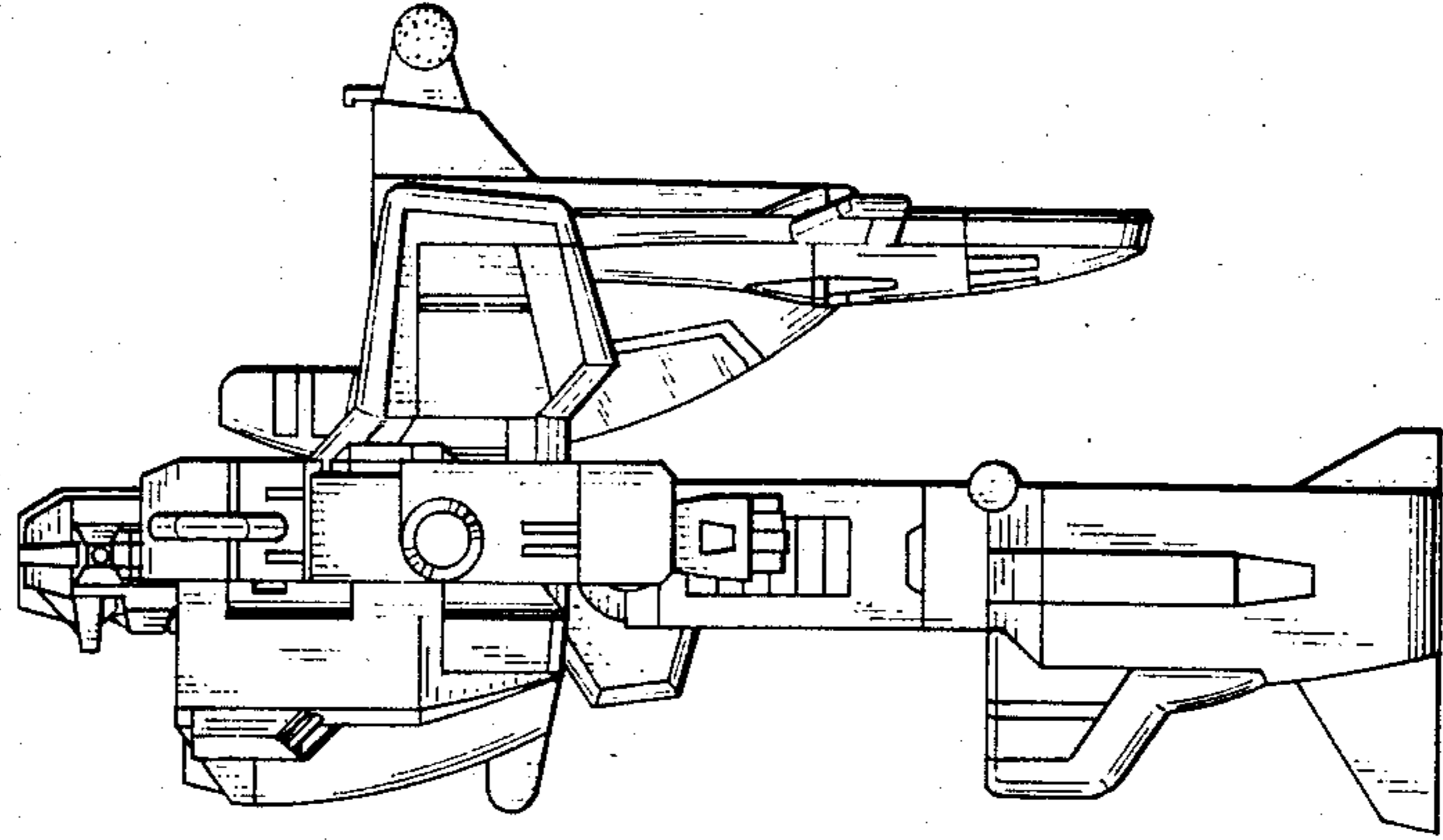


FIG.10

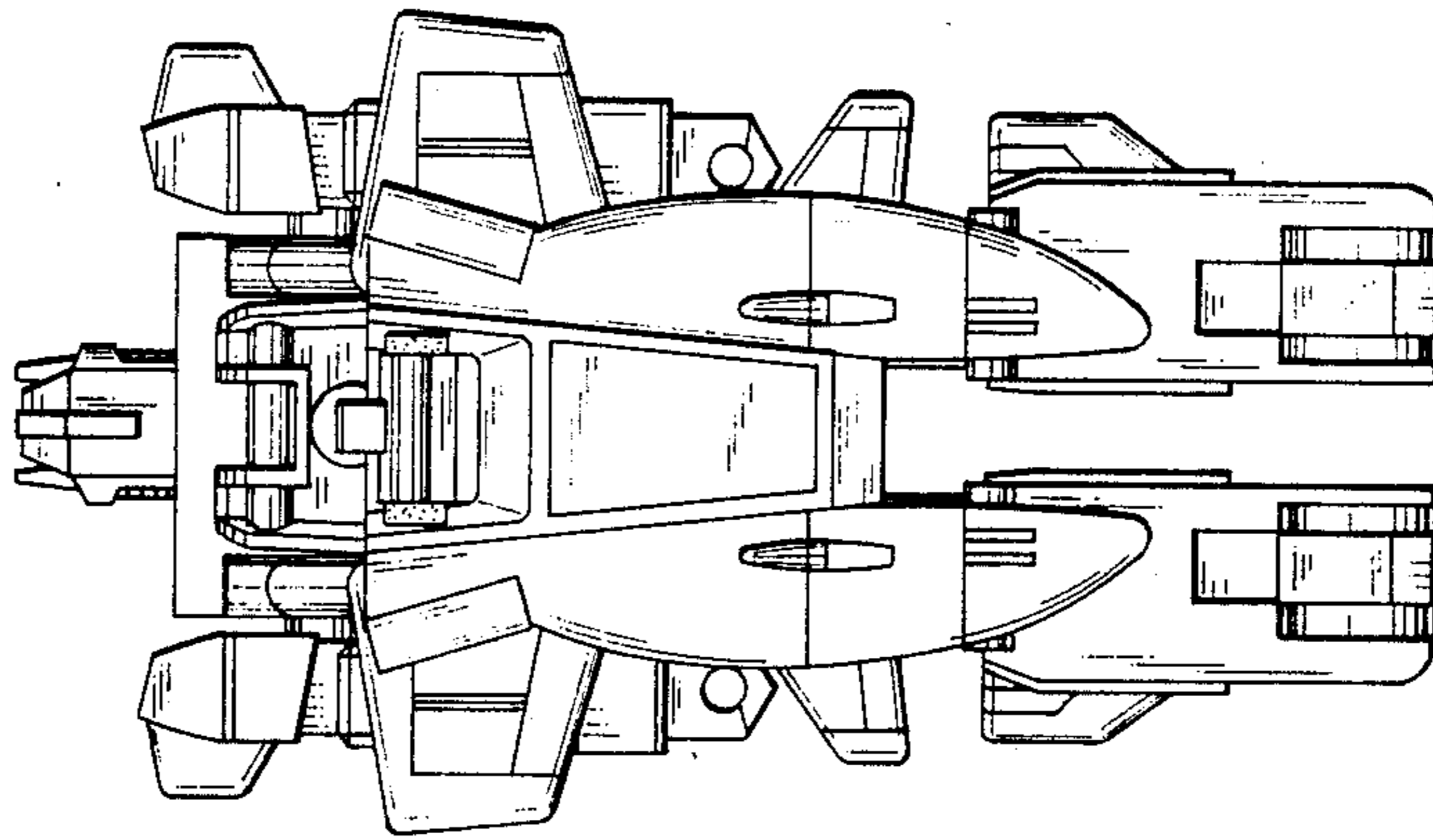


FIG.11

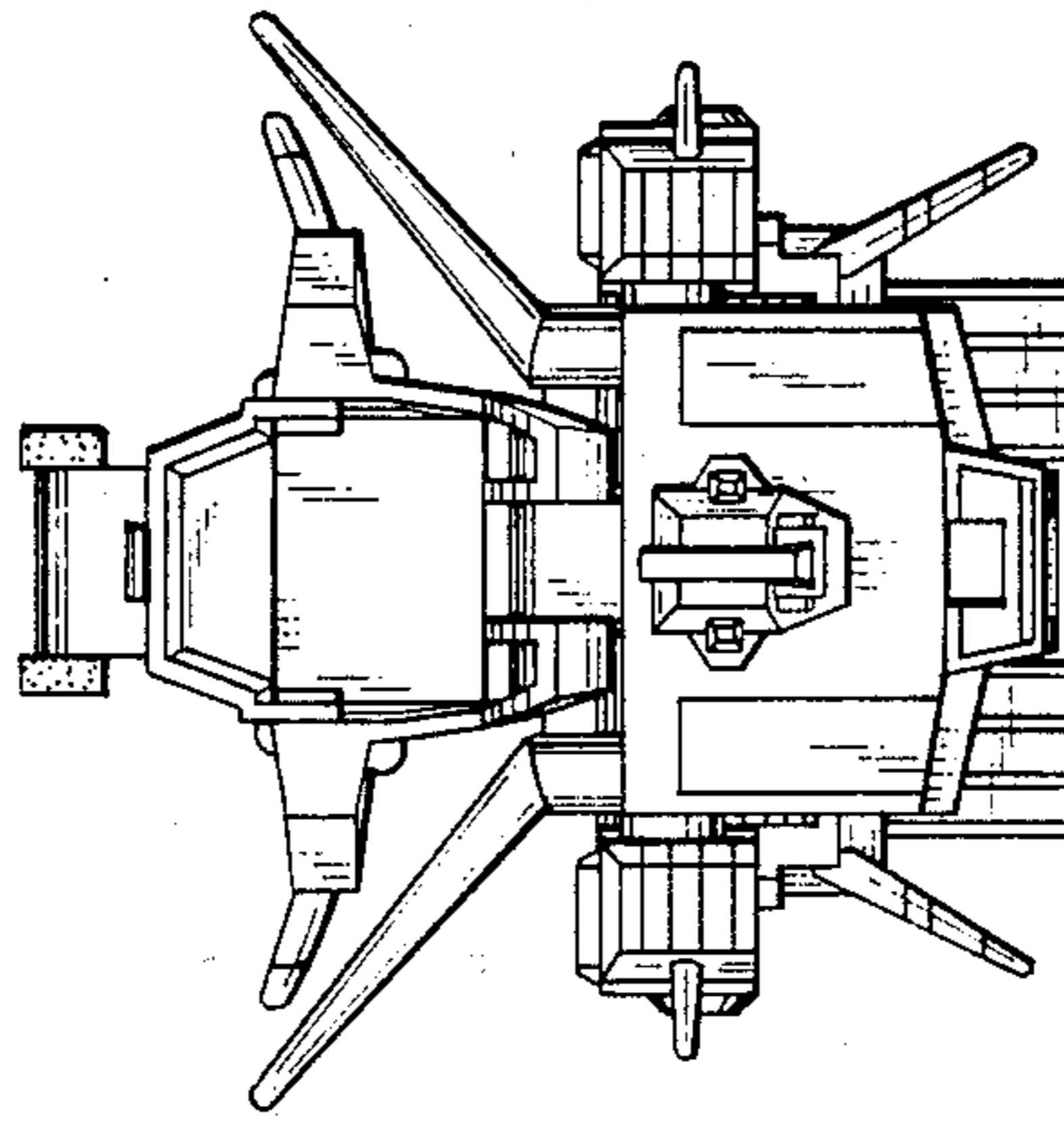


FIG.12

