

[54] **CONTROLLER FOR TOY RACING VEHICLE**

[56]

References Cited

U.S. PATENT DOCUMENTS

[75] **Inventor: Chi F. Cheng, New Territories, Hong Kong**

D. 201,913	8/1965	Raymond	D26/45
D. 255,722	7/1980	Shin et al.	D28/13
D. 263,858	4/1982	Ngai	D21/141
D. 283,718	5/1986	Kondo	D21/141
2,723,492	11/1955	Muller	446/454
2,784,305	3/1957	Lawson et al.	D26/45
4,479,650	10/1984	Neuhierl	446/455

[73] **Assignee: Artin Industrial Co., Ltd., Kowloon, Hong Kong**

[**] **Term: 14 Years**

Primary Examiner—Charles A. Rademaker
Attorney, Agent, or Firm—Townsend & Townsend

[21] **Appl. No.: 858,281**

[57] **CLAIM**

The ornamental design for a controller for toy racing vehicle, as shown.

[22] **Filed: Apr. 29, 1986**

DESCRIPTION

[30] **Foreign Application Priority Data**

Oct. 29, 1985 [GB] United Kingdom 1030092
[52] **U.S. Cl.** **D21/142**
[58] **Field of Search** **D21/141, 142, 143, 148;**
D28/13; D26/45; 446/454, 455, 456, 429, 491

FIG. 1 is a front elevational view of a controller for toy racing vehicle showing my new design;
FIG. 2 is a rear elevational view thereof;
FIG. 3 is a side elevational view of the side opposite that shown in FIG. 1 and ,
FIG. 4 is a bottom plan view thereof.

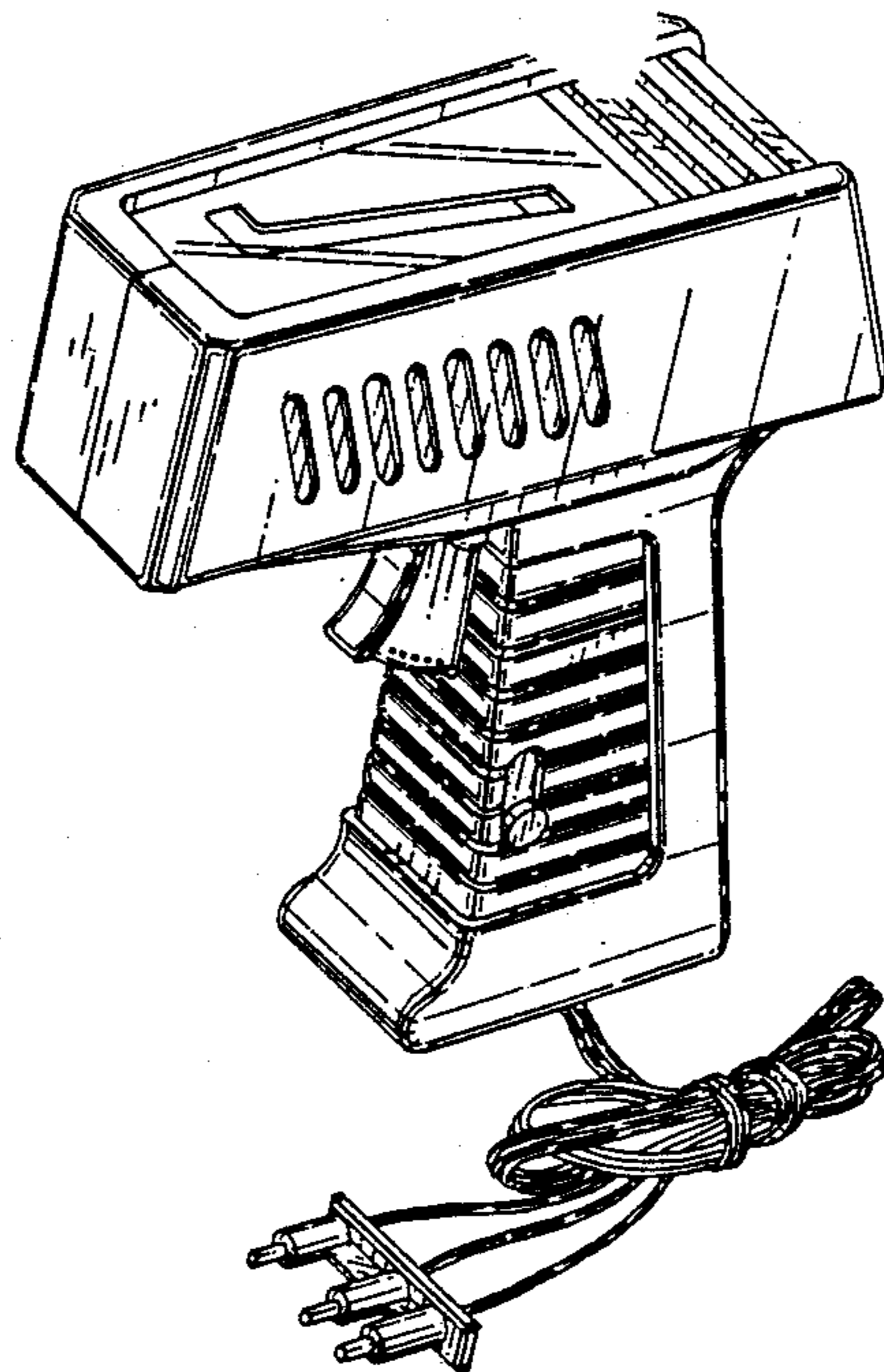


FIG. 1.

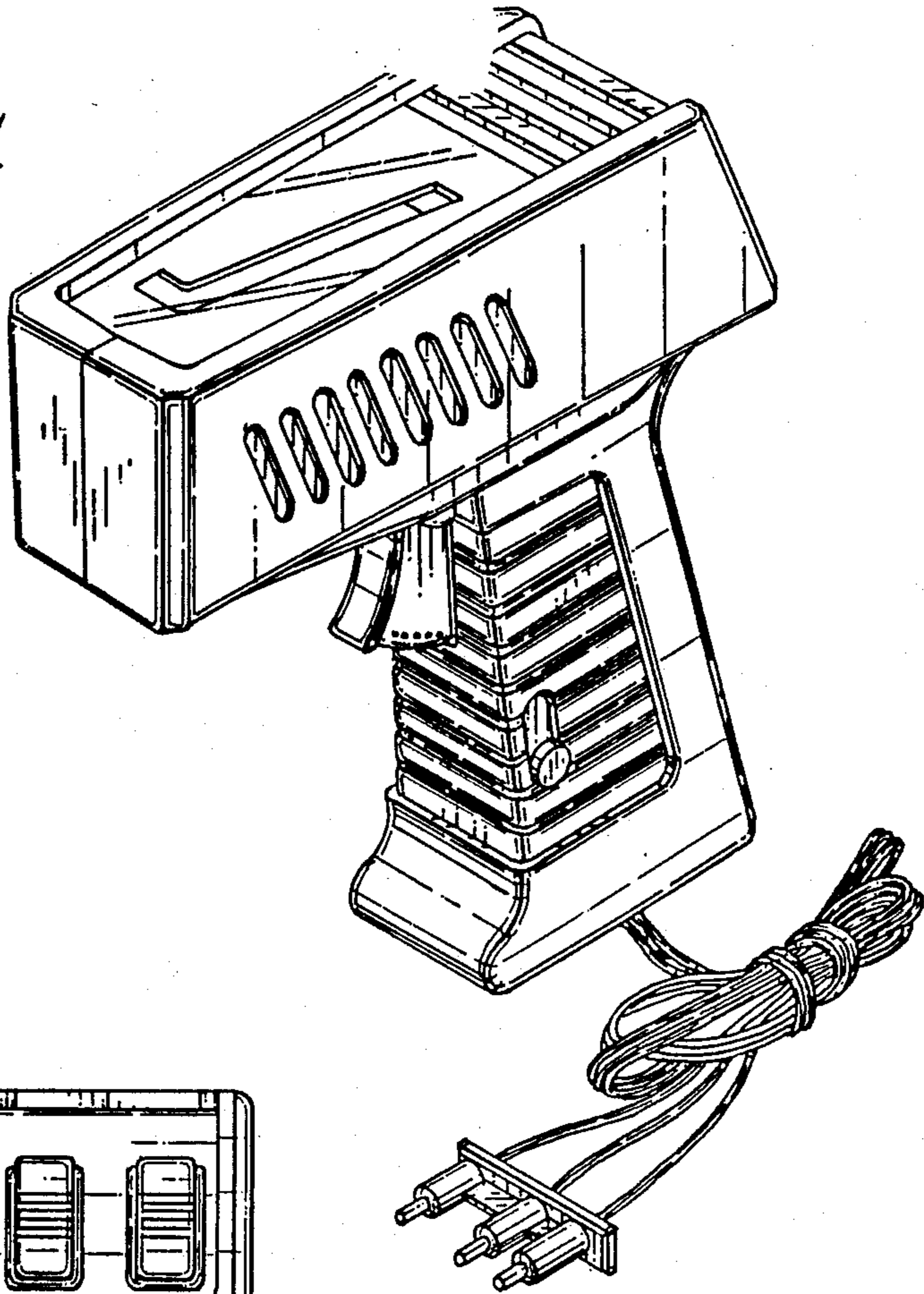
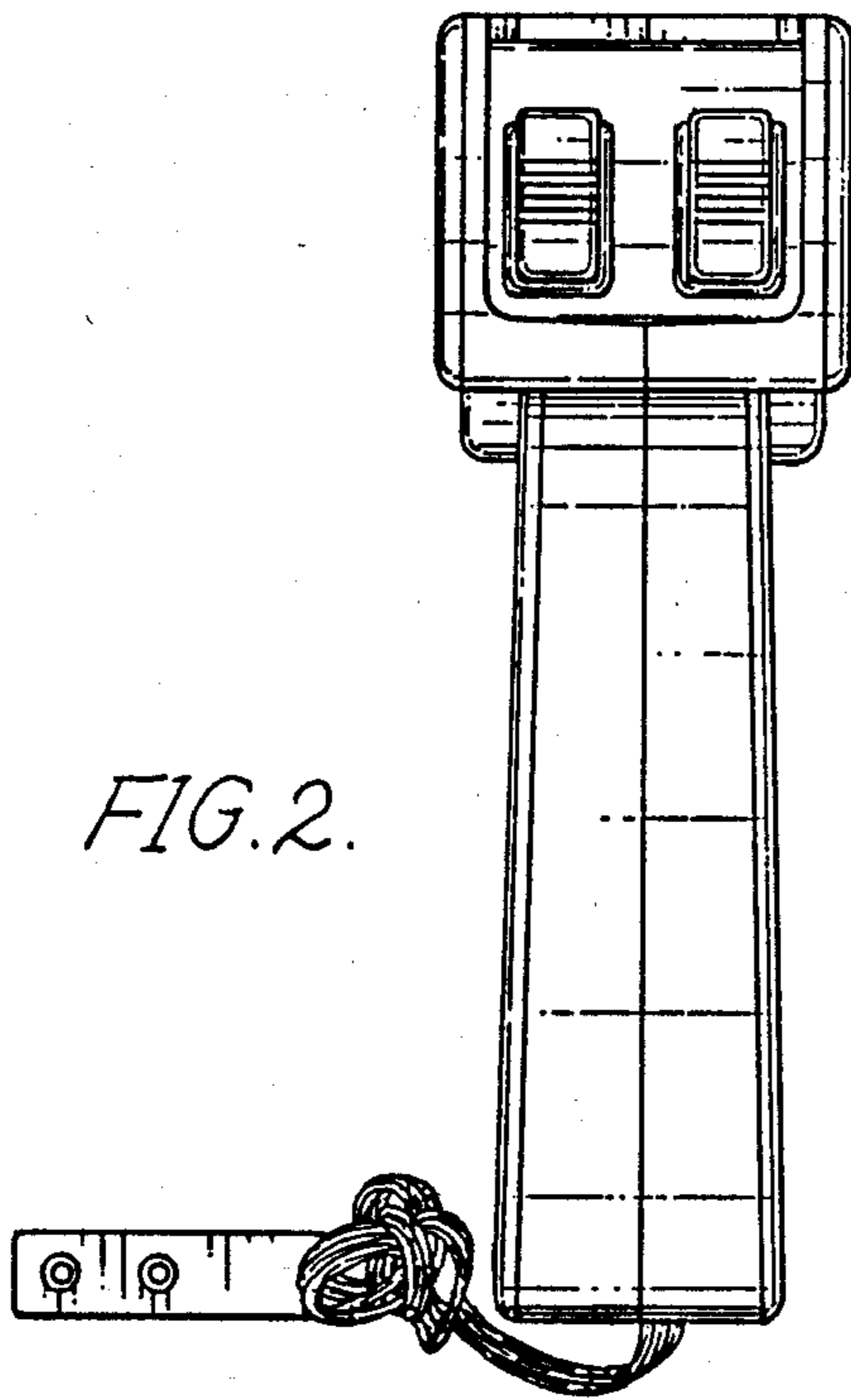


FIG. 2.



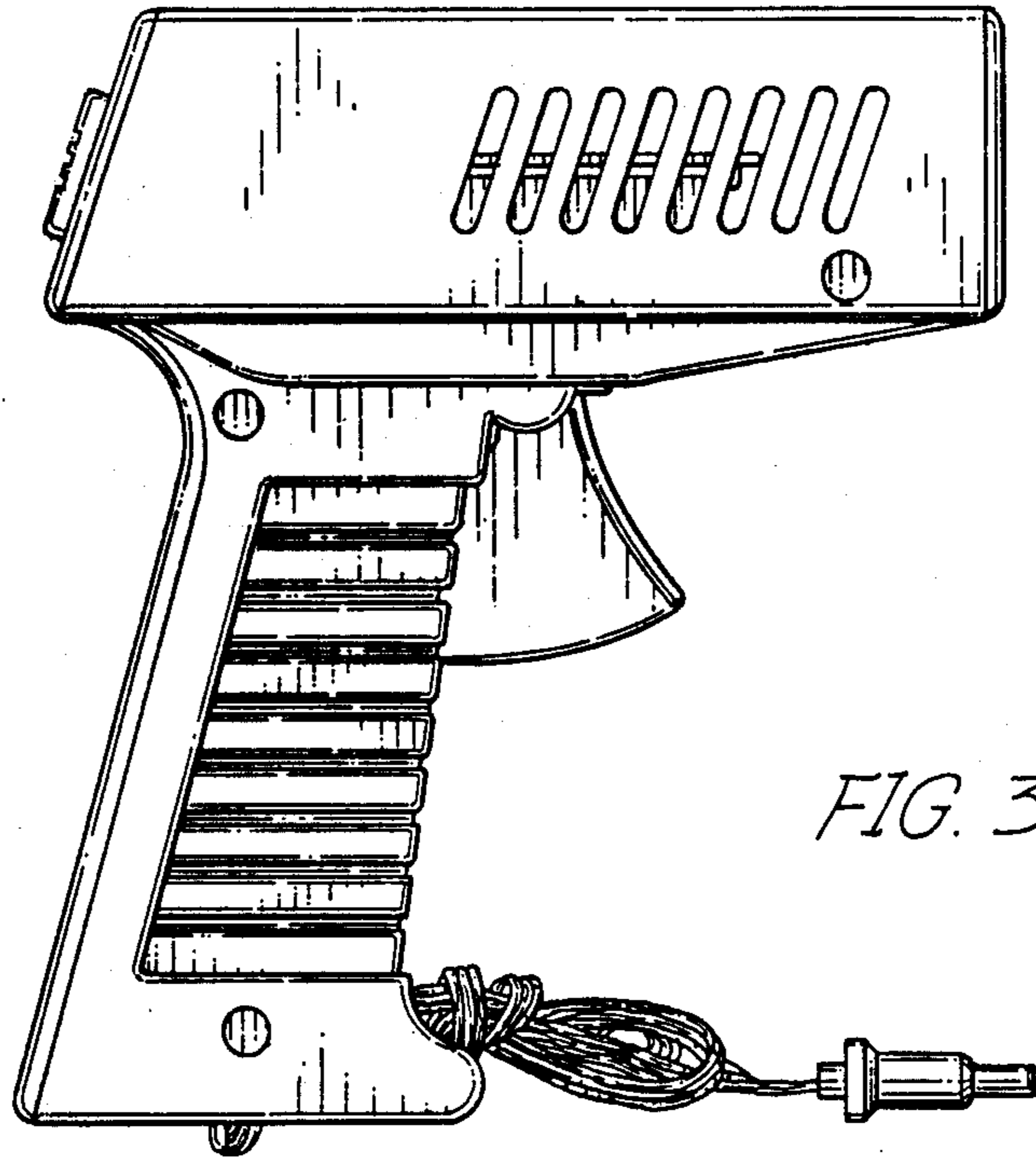


FIG. 3

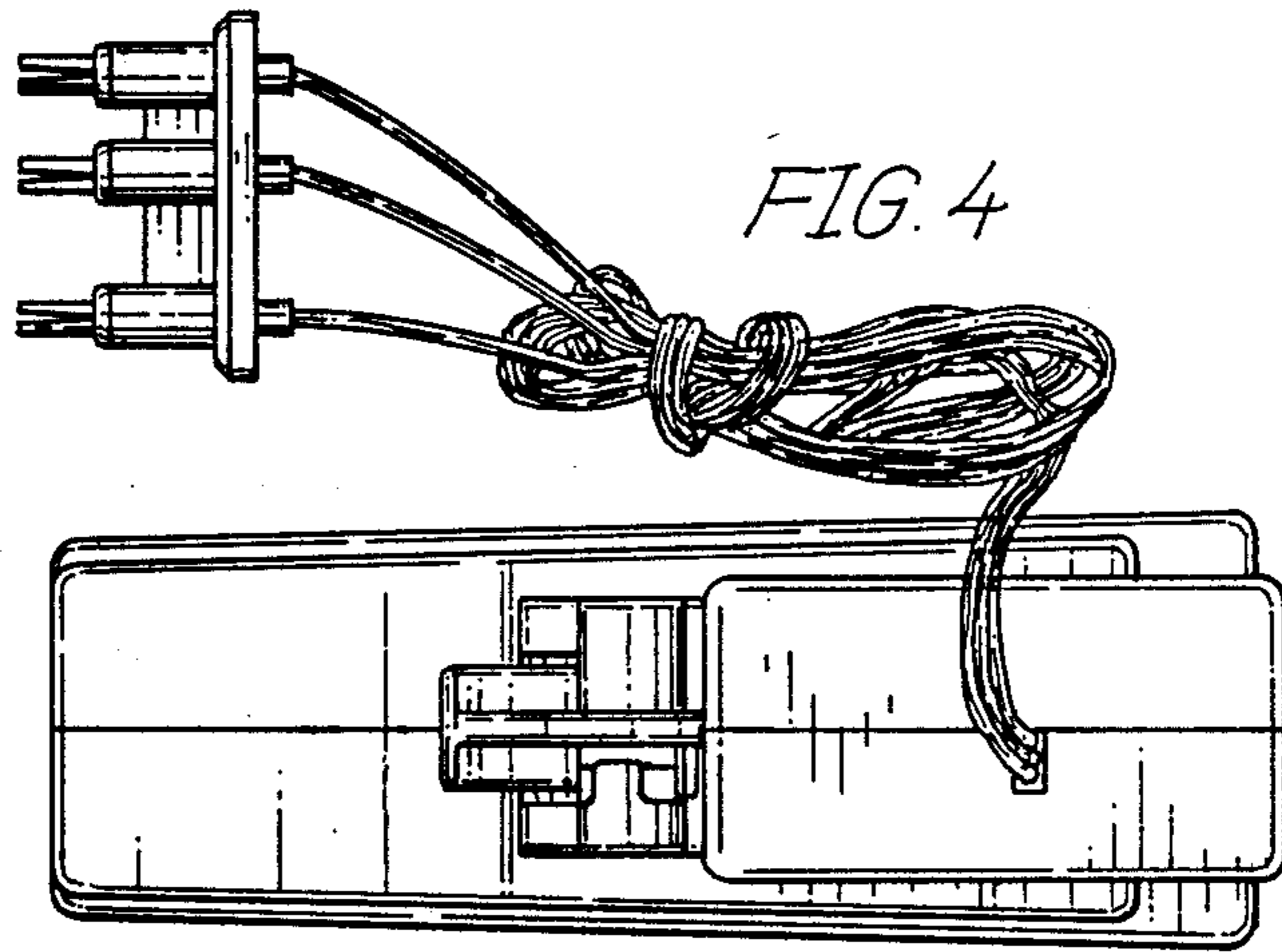


FIG. 4