

[54] SIMULATIVE SHAPE MATCHING TOY

[75] Inventors: Harry S. Thomson, Richmond; David M. Raffo; John A. Pape, both of Hitchin, all of England

[73] Assignee: Hestair Kiddicraft Limited, Bristol, England

[\*\*] Term: 14 Years

[21] Appl. No.: 857,446

[22] Filed: Apr. 22, 1986

[52] U.S. Cl. .... D21/59; D21/134

[58] Field of Search ..... D21/59, 105, 134, 135, D21/136; 446/71, 72, 88, 469, 470, 471, 269, 272; 272/153 R; 434/407, 259; D19/59, 62

[56]

References Cited

U.S. PATENT DOCUMENTS

D. 248,584	7/1978	Snyder .....	D21/105
D. 258,972	4/1981	Samuels .....	D21/134
D. 277,494	2/1985	Lerch .....	D21/134
D. 282,940	3/1986	Thomson et al. ....	D21/105
D. 287,522	12/1986	Blumenthal .....	D21/134
D. 289,309	4/1987	Wilkes .....	D21/134

Primary Examiner—Charles A. Rademaker

[57]

CLAIM

The ornamental design for a simulative shape matching toy, as shown and described.

DESCRIPTION

FIG. 1 is a front elevational view of a simulative shape matching toy showing our new design; FIG. 2 is a rear elevational view thereof; FIG. 3 is a side elevational view thereof, the side opposite being substantially a mirror image; FIG. 4 is a top plan view thereof; and, FIG. 5 is a bottom plan view thereof.

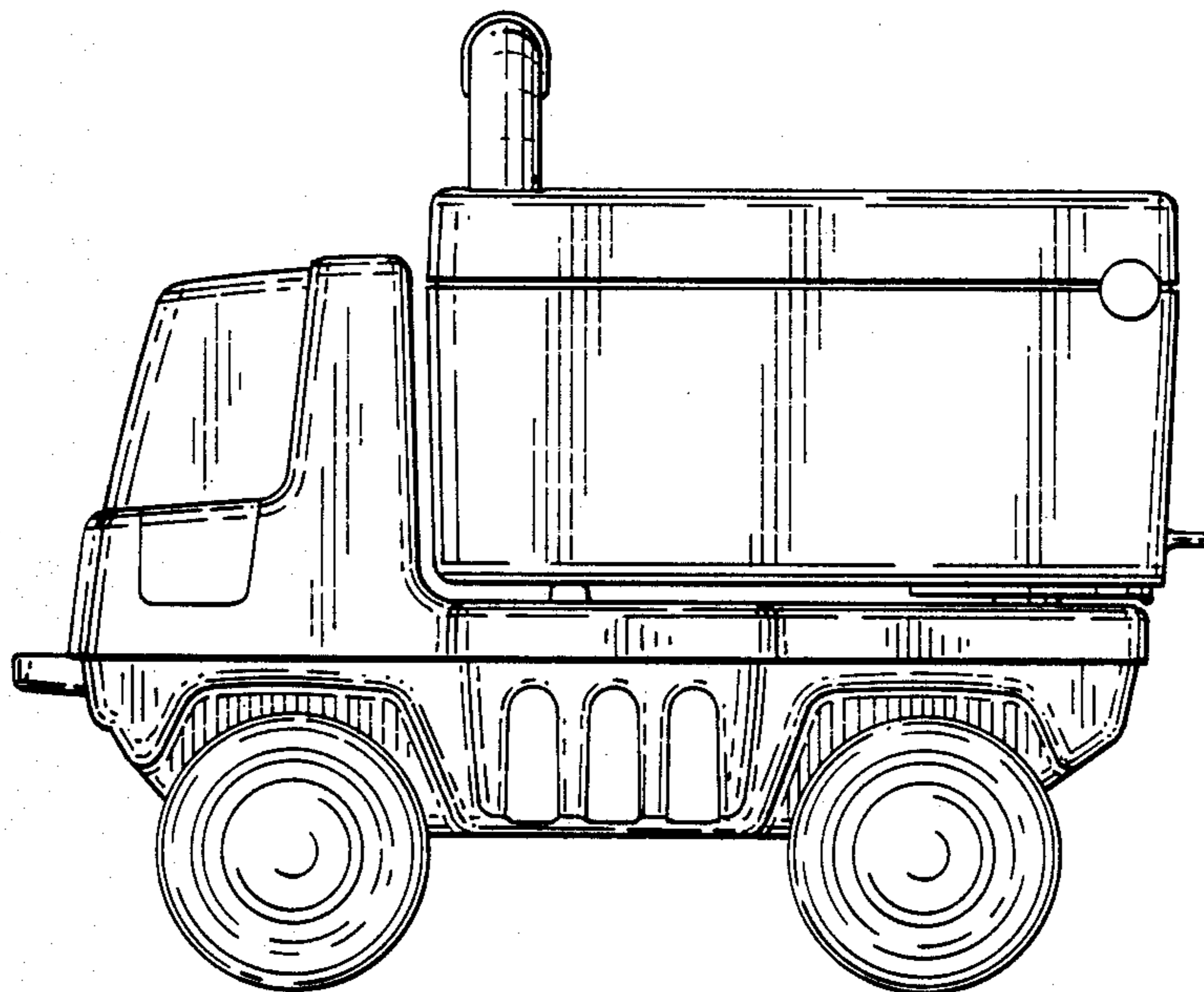


FIG. 1.

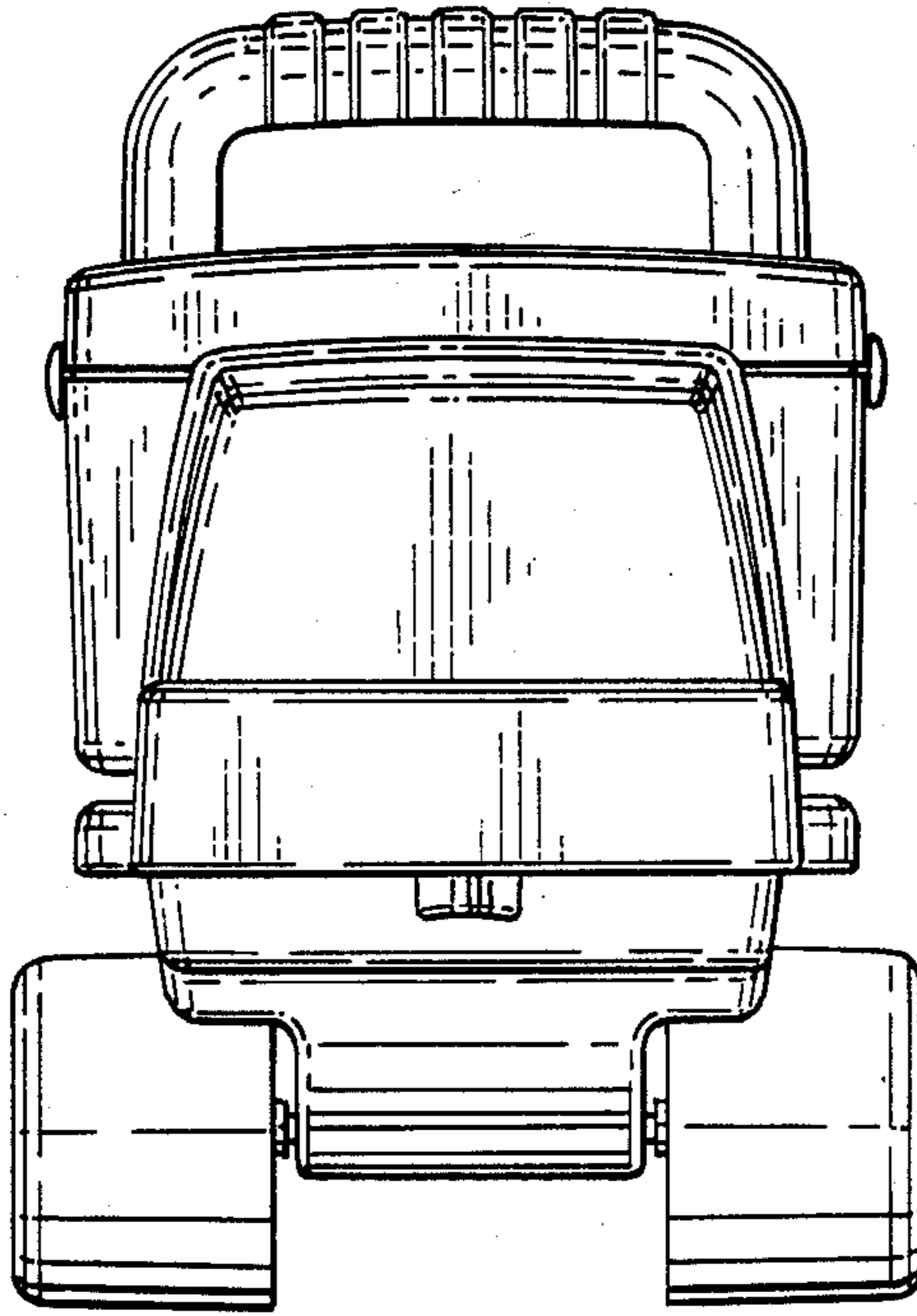


FIG. 2.

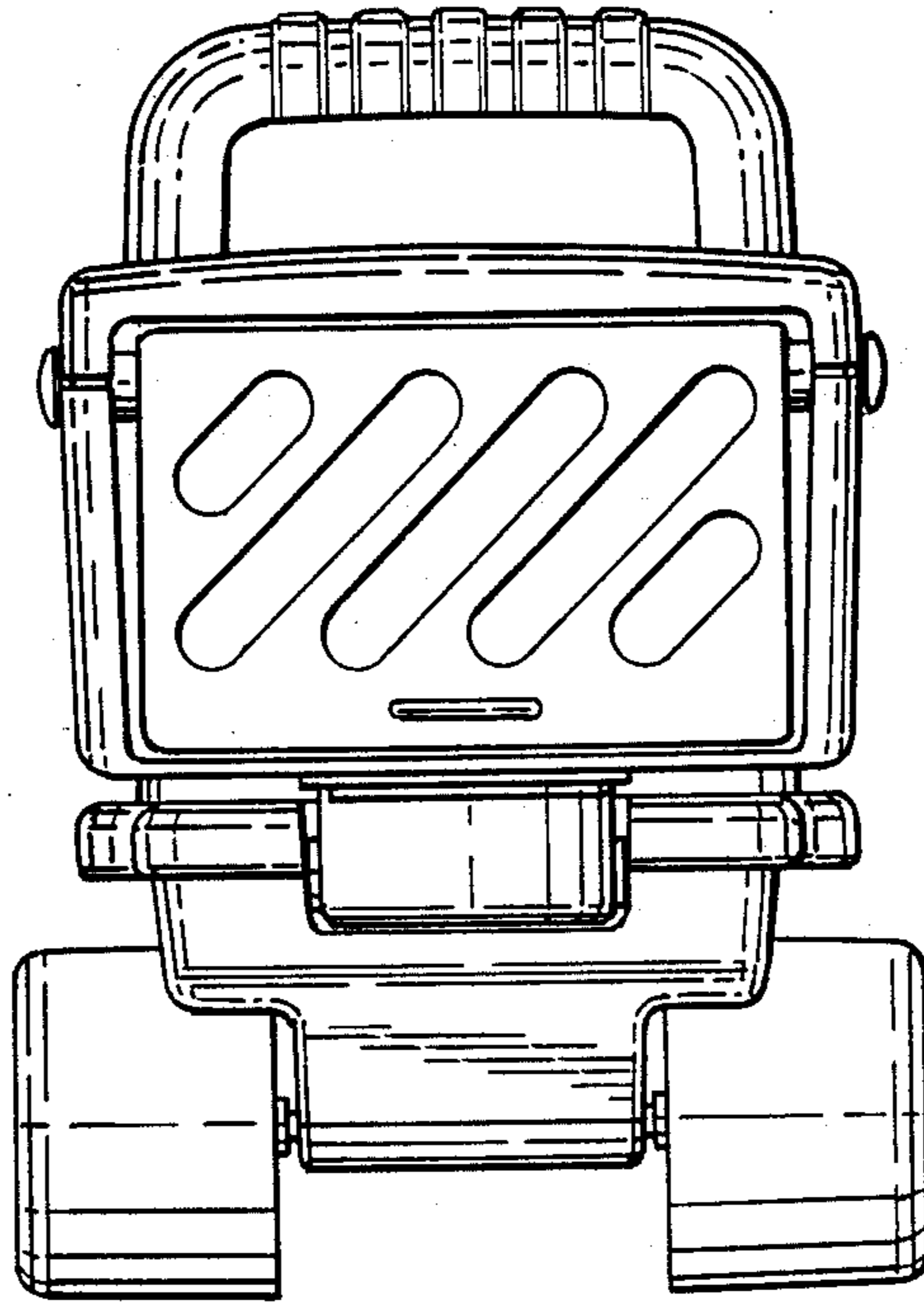


FIG. 3.

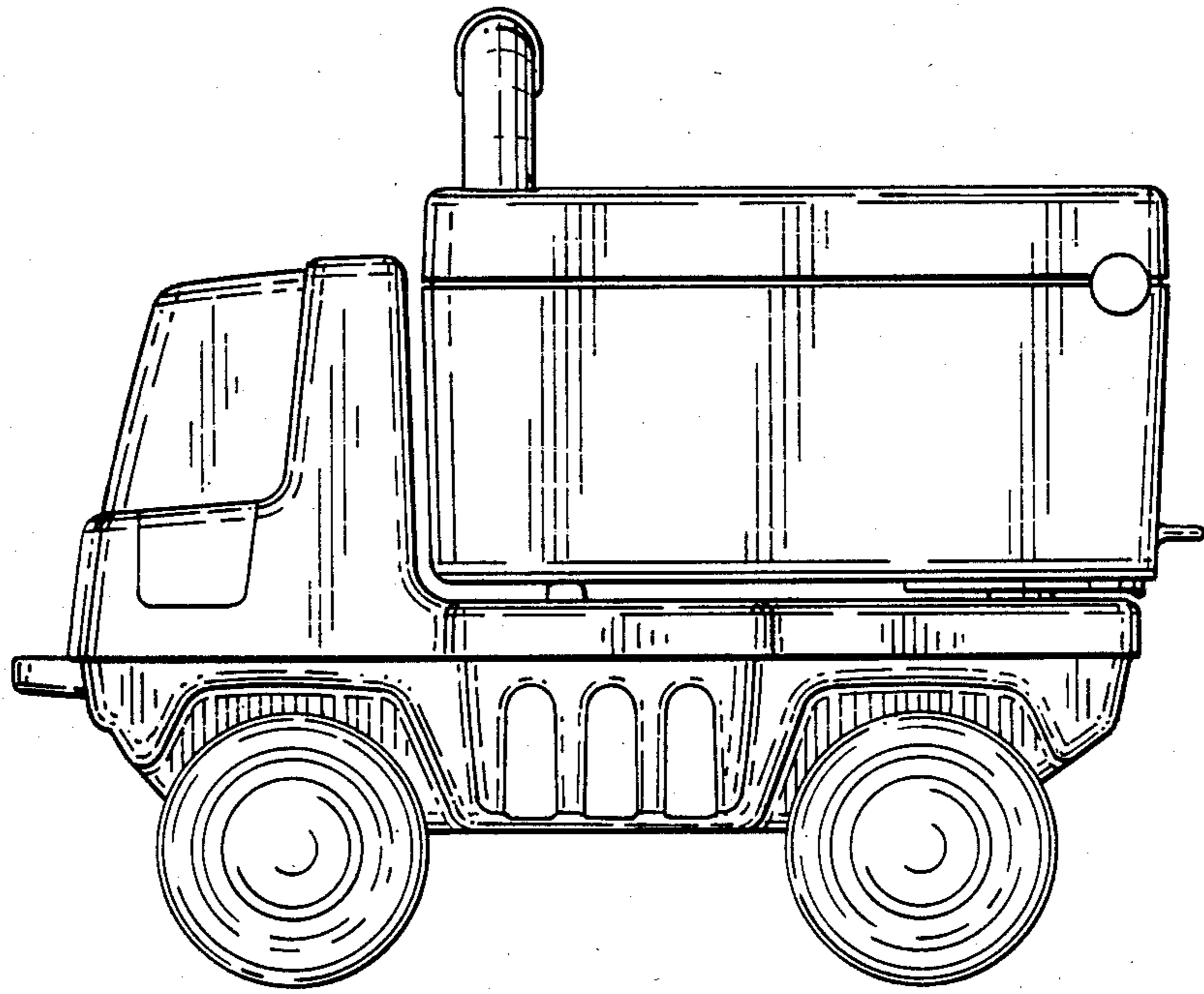


FIG. 4.

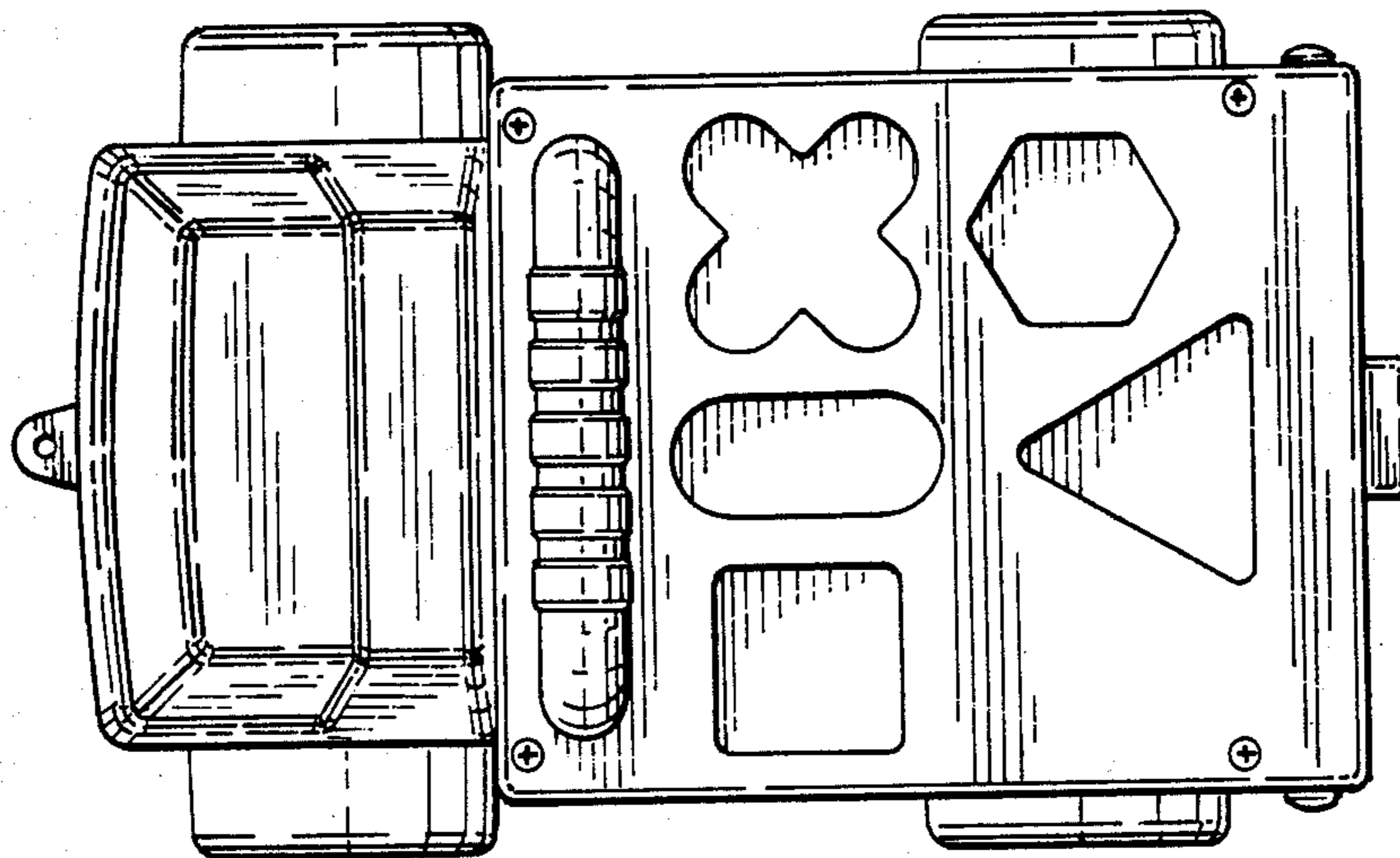


FIG. 5.

