

[54] **ACTIVITY TOY**
[75] Inventors: Erik P. Tapdrup, Virum; Flemming H. Olsen, Espergaerde, both of Denmark

D. 262,550 1/1982 Fisher D21/59
D. 275,502 9/1984 Nakao et al. D21/59
D. 278,070 3/1985 Tapdrup D21/59
D. 284,293 6/1986 Thomson et al. D21/59

[73] Assignee: Interlego A.G., Baar, Switzerland

Primary Examiner—Charles A. Rademaker
Attorney, Agent, or Firm—Kane, Dalsimer, Sullivan, Kurucz, Levy, Eisele and Richard

[**] Term: 14 Years

[57] **CLAIM**

[21] Appl. No.: 935,697

The ornamental design for activity toy, as shown and described.

[22] Filed: Nov. 26, 1986

DESCRIPTION

[30] **Foreign Application Priority Data**

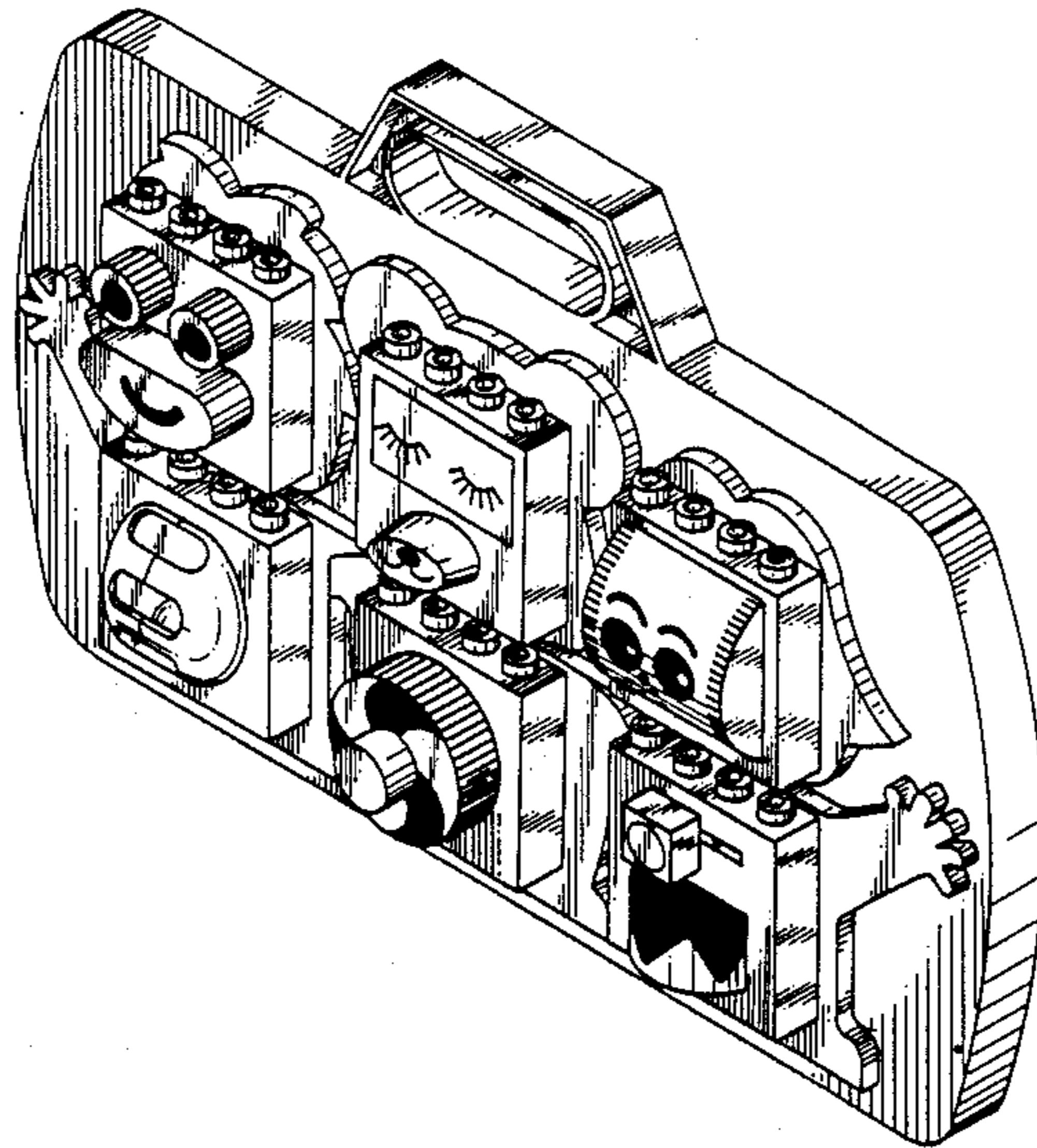
May 29, 1986 [DK] Denmark 547/86
[52] U.S. Cl. D21/59
[58] Field of Search D21/59, 62, 63, 64;
446/227, 146; 434/259, 260, 258

FIG. 1 is a front perspective view of a activity toy showing our new design;
FIG. 2 is a rear perspective view thereof;
FIG. 3 is a rear elevational view thereof;
FIG. 4 is a front plan elevational view thereof;
FIG. 5 is a top plan view thereof;
FIG. 6 is a bottom plan view thereof;
FIG. 7 is a right side elevational view thereof; and,
FIG. 8 is a left side elevational view thereof.

[56] **References Cited**

U.S. PATENT DOCUMENTS

D. 214,065 5/1969 Campbell D21/59



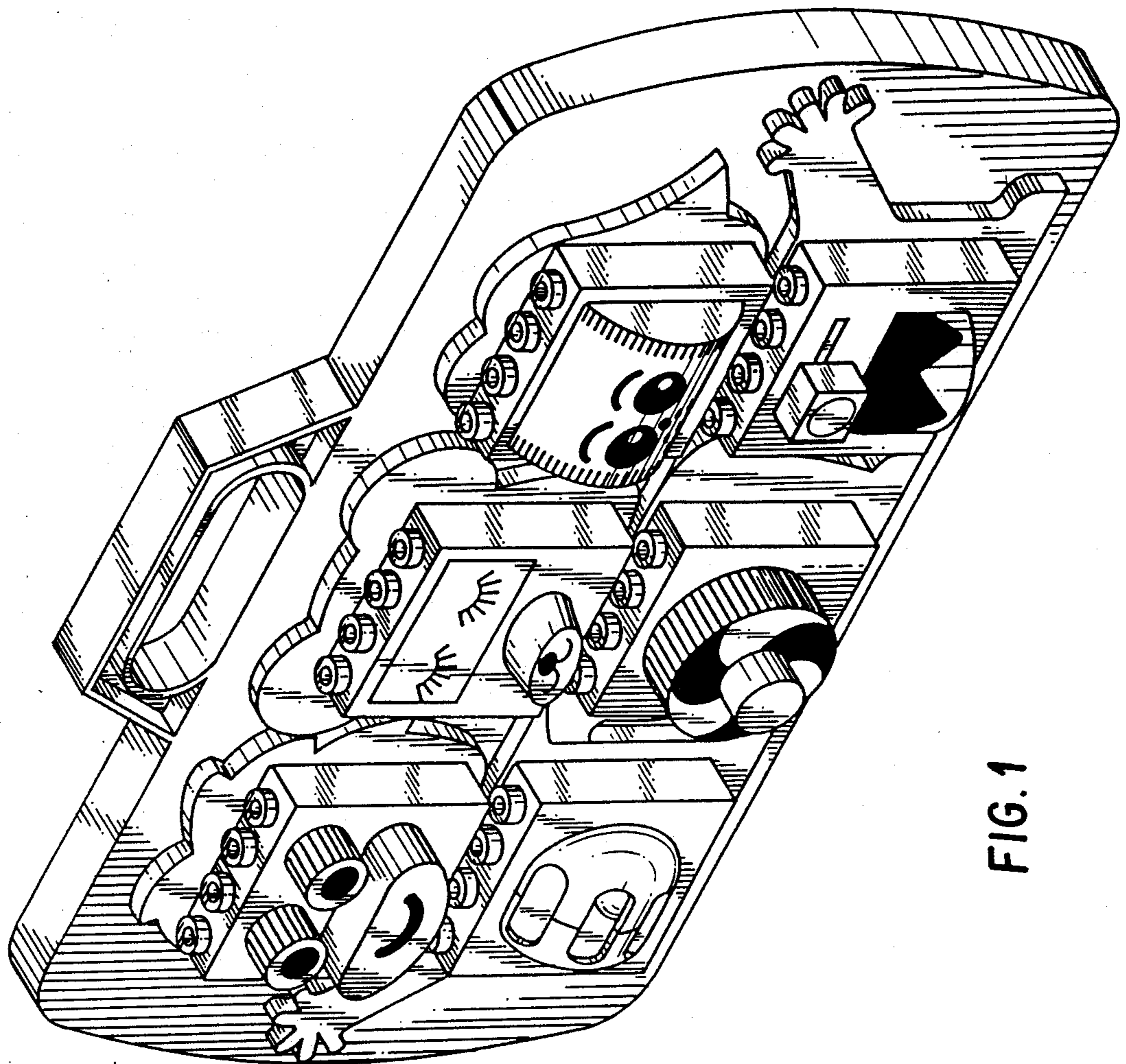


FIG. 1

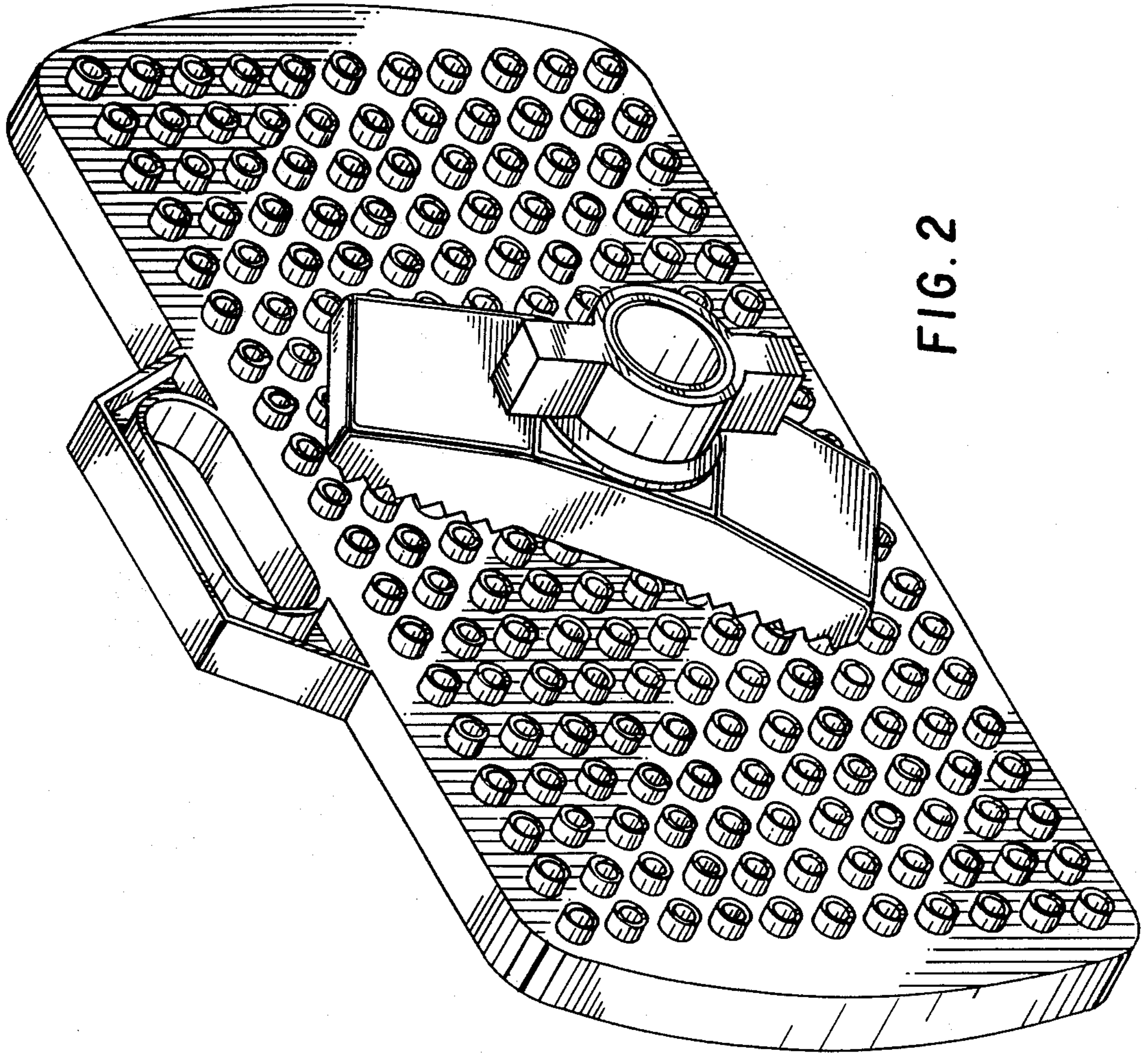


FIG. 2

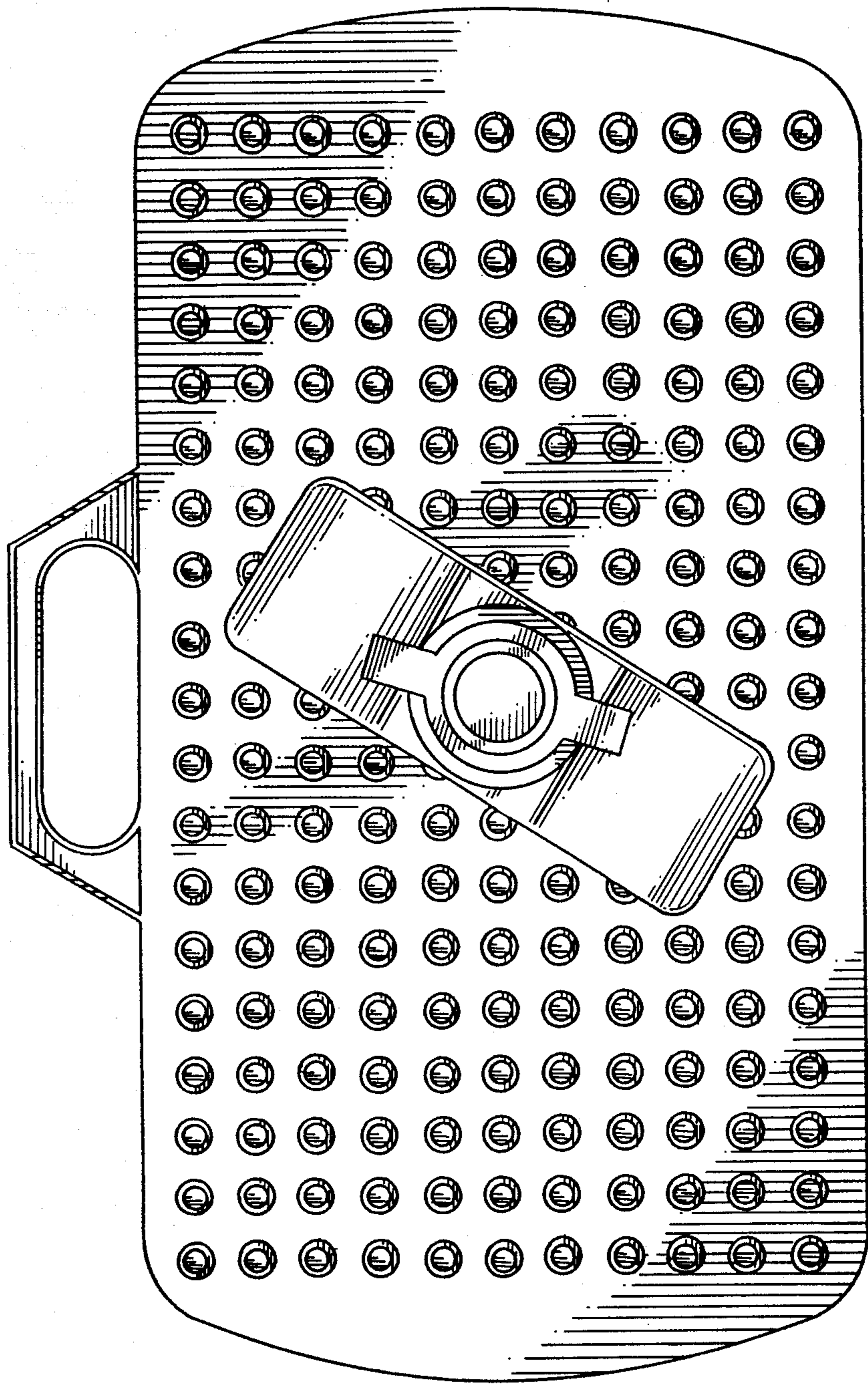


FIG. 3

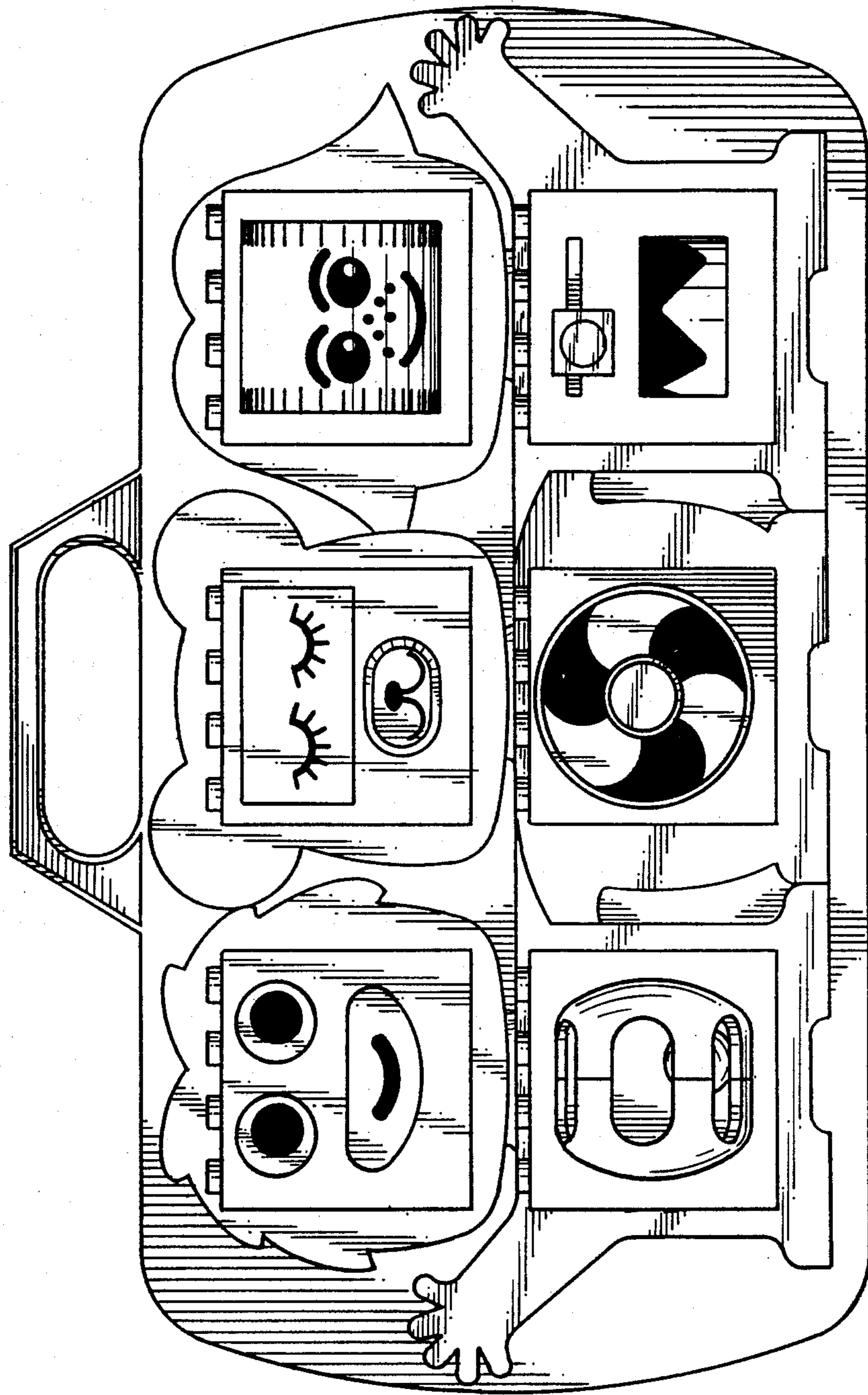


FIG. 4

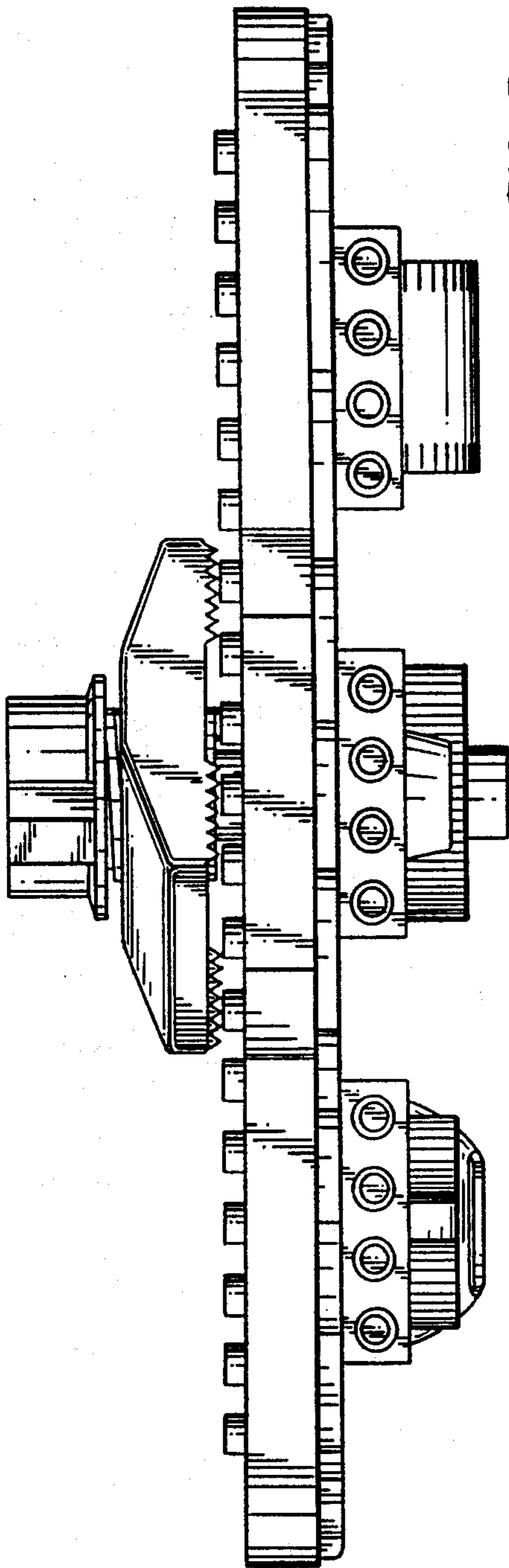


FIG. 5

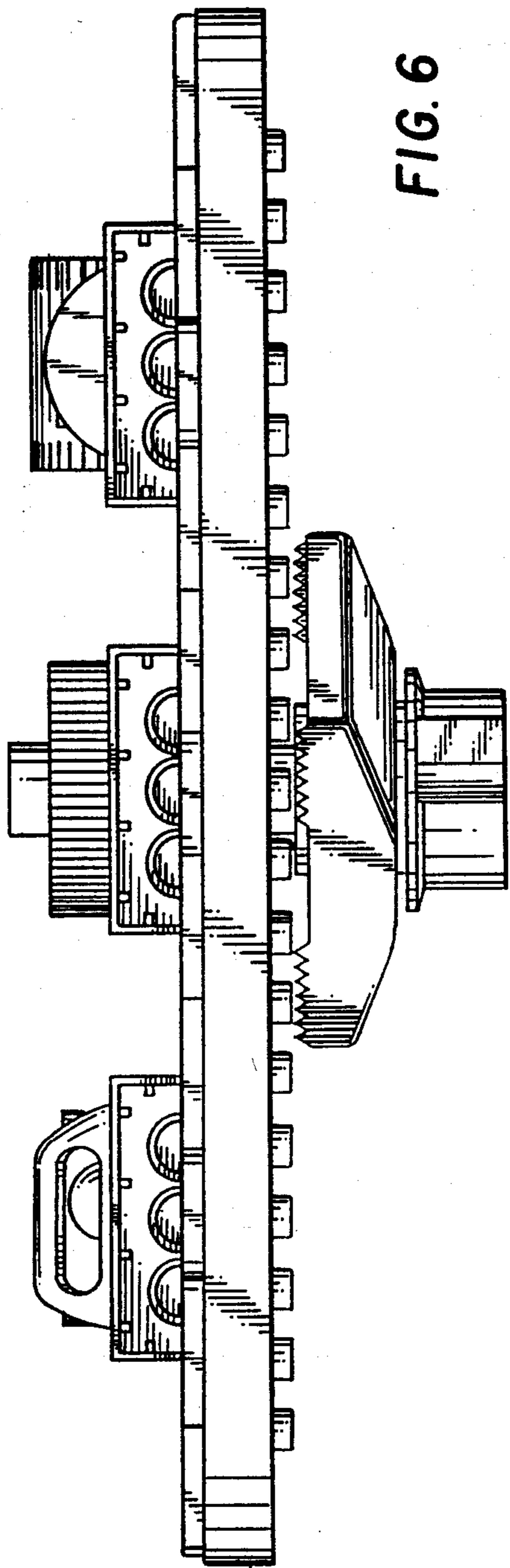


FIG. 6

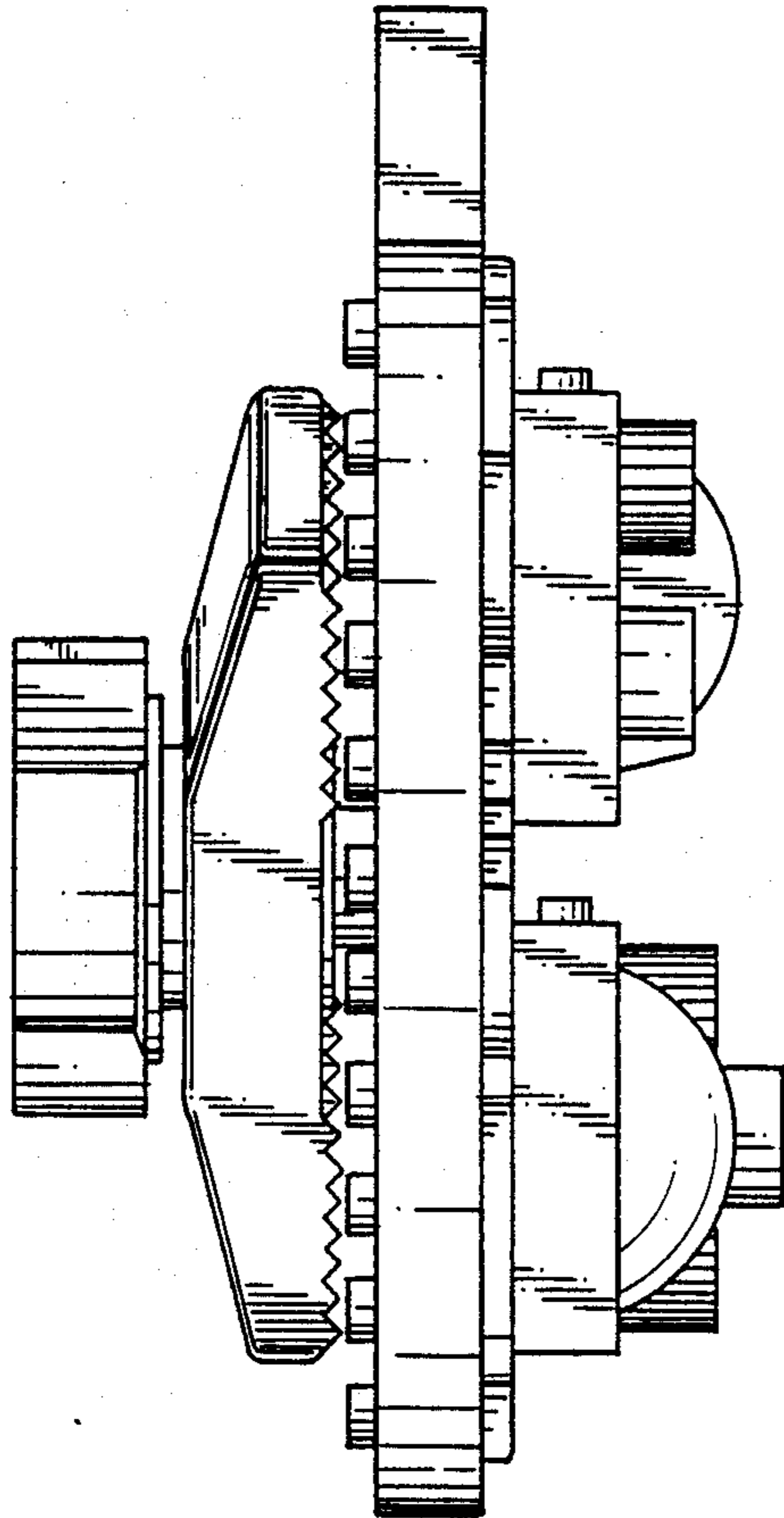


FIG. 8

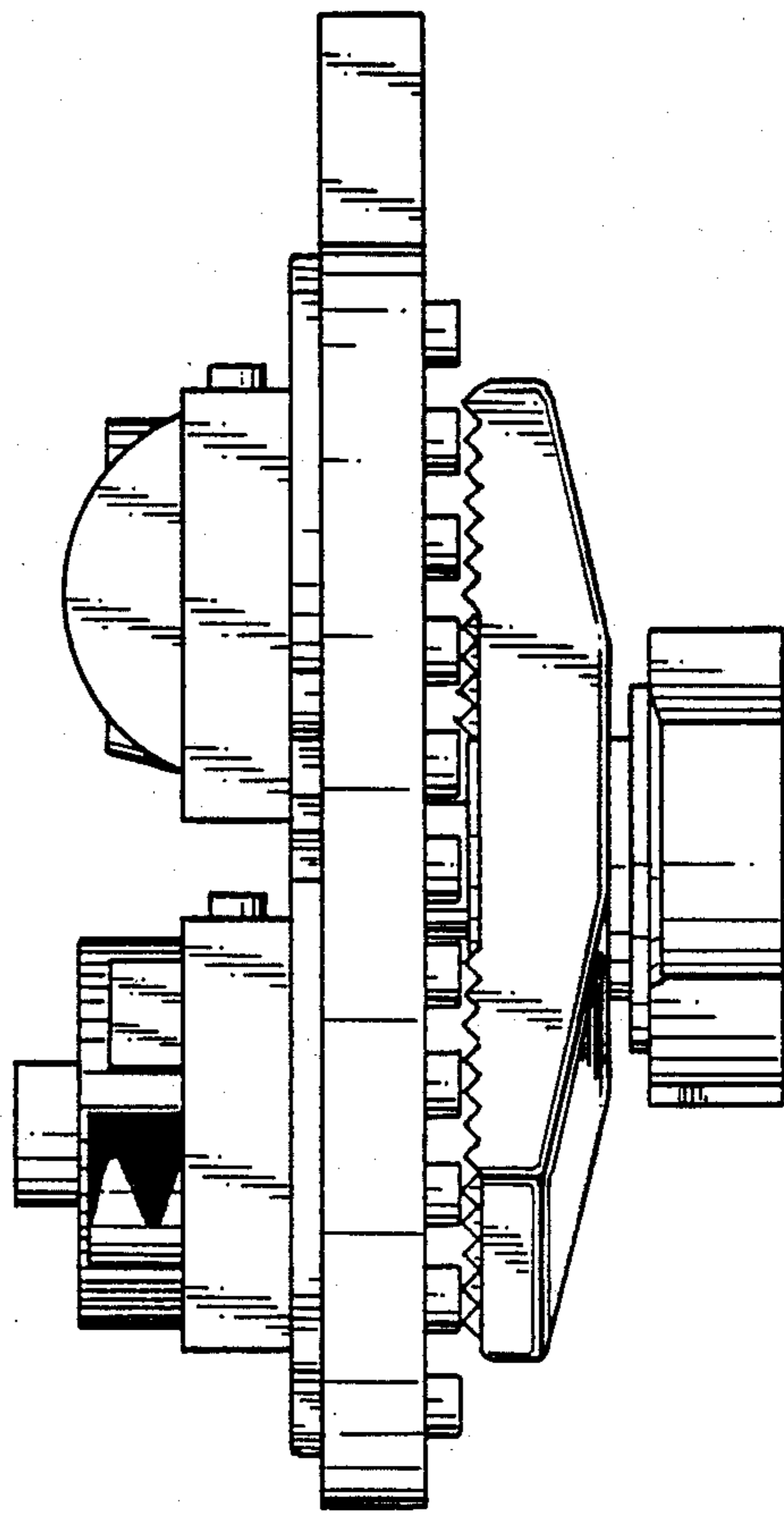


FIG. 7