

[54] INK RIBBON CARTRIDGE

[75] Inventors: Seiichi Omino, Tokyo; Atsushi Noda, Kawasaki; Kenichiro Hashimoto, Yokohama, all of Japan

[73] Assignee: Canon Kabushiki Kaisha, Tokyo, Japan

[**] Term: 14 Years

[21] Appl. No.: 866,410

[22] Filed: May 23, 1986

[30] Foreign Application Priority Data

Nov. 28, 1985 [JP] Japan 60-49701

[52] U.S. Cl. D18/12

[58] Field of Search D18/12, 22, 23, 99; 400/196.1, 208

[56] References Cited

U.S. PATENT DOCUMENTS

- D. 244,965 7/1977 Treziso et al. D18/12
- D. 247,325 2/1978 Trezise D18/12
- D. 261,277 10/1981 Hashimoto et al. D18/12
- D. 272,544 2/1984 Daughters D18/12

- D. 275,404 9/1984 Hashimoto D18/22
- D. 281,255 11/1985 Nibley et al. D18/12
- D. 281,258 11/1985 Schiffmacher D18/22
- D. 281,330 11/1985 Kando D18/12
- D. 290,715 7/1987 Omino et al. D18/12
- 3,918,569 11/1975 Parker D18/12 X
- 4,400,103 8/1983 Daughters 400/208
- 4,511,271 4/1985 Oberto 400/208

Primary Examiner—James R. Largen
Attorney, Agent, or Firm—Fitzpatrick, Cella, Harper & Scinto

[57] CLAIM

The ornamental design for an ink ribbon cartridge, as shown and described.

DESCRIPTION

FIG. 1 is a front elevational view of an ink ribbon cartridge showing our new design; FIG. 2 is a rear elevational view thereof; FIG. 3 is a top plan view thereof; FIG. 4 is a bottom plan view thereof; FIG. 5 is a left side elevational view thereof; FIG. 6 is a right side elevational view thereof; and, FIG. 7 is a perspective view taken from the top, front and right side thereof.

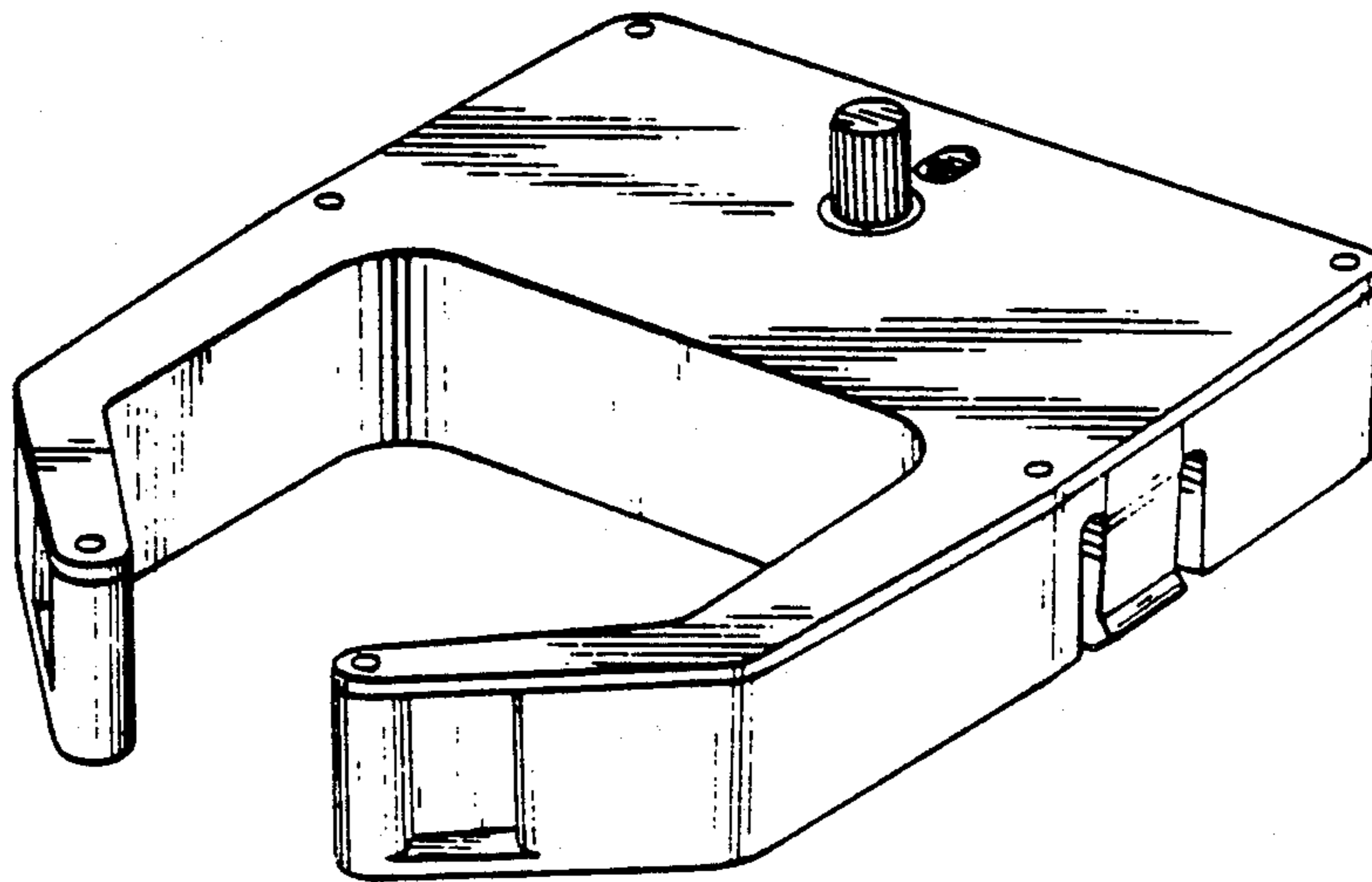


FIG. 1

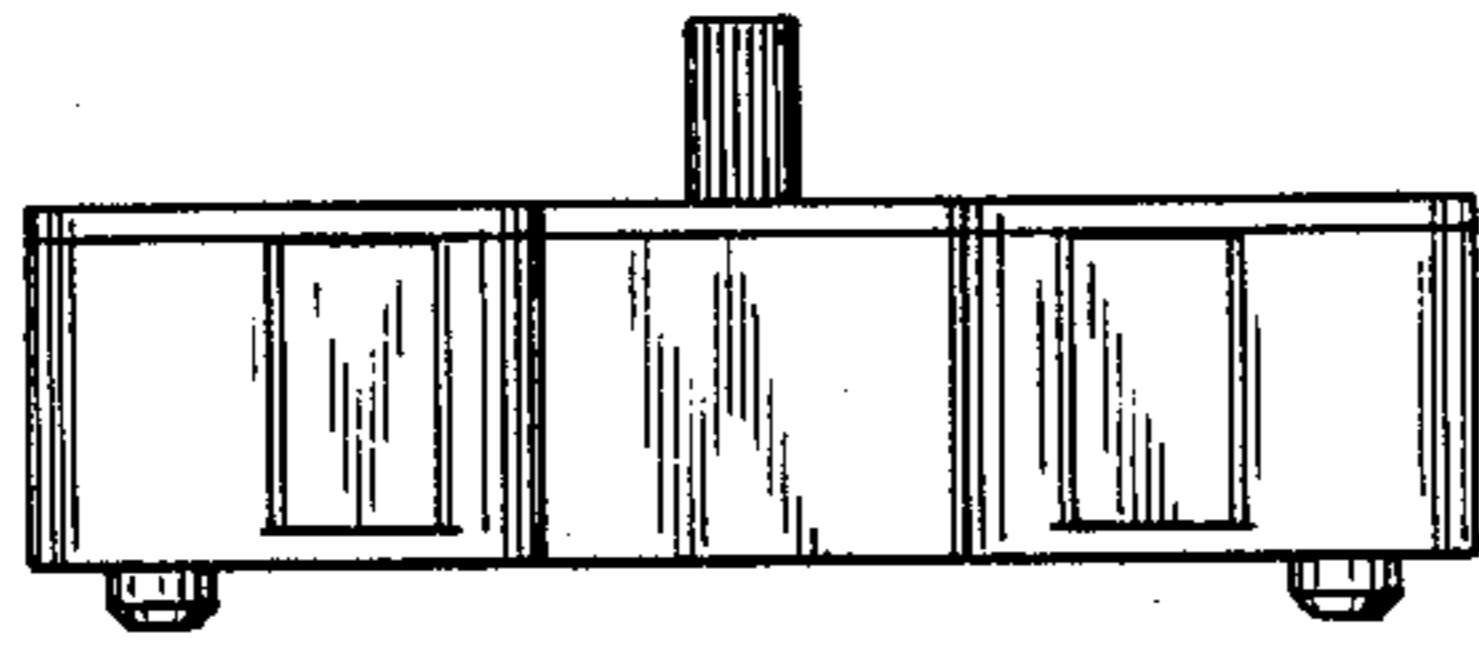


FIG. 2

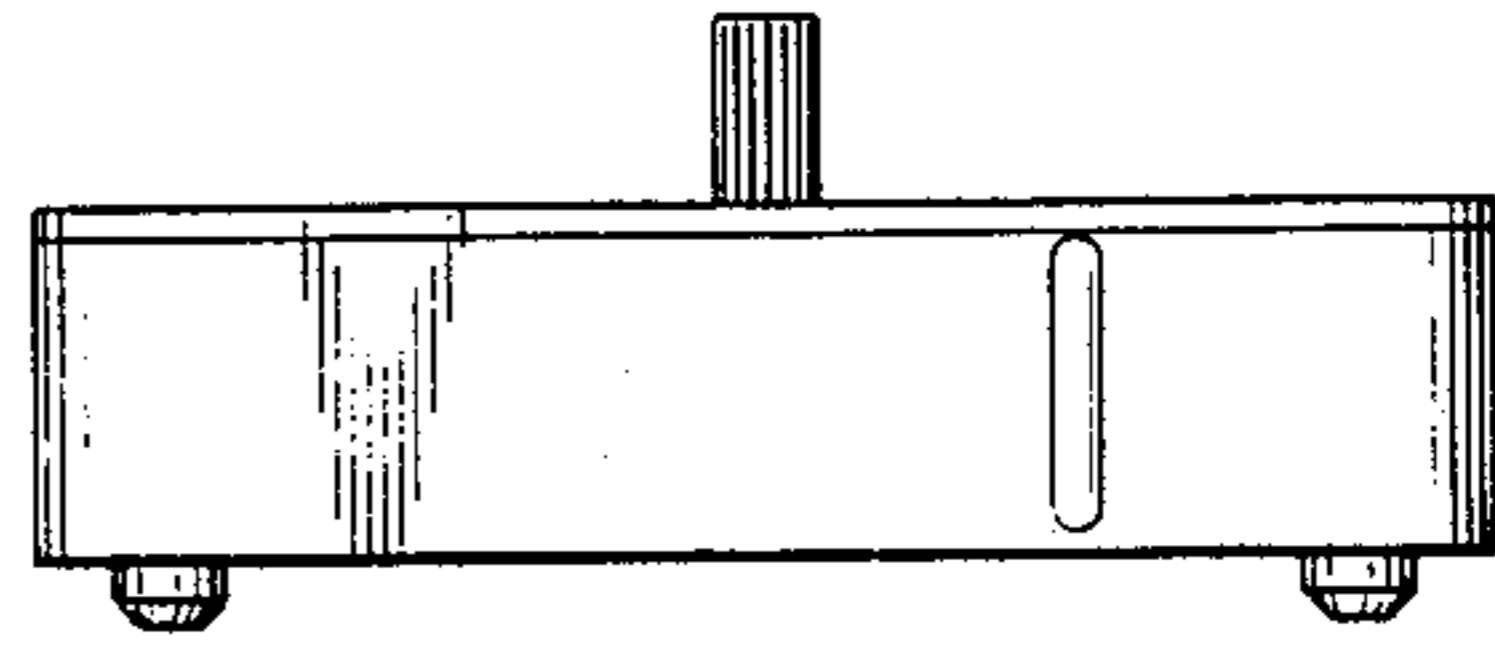


FIG. 3

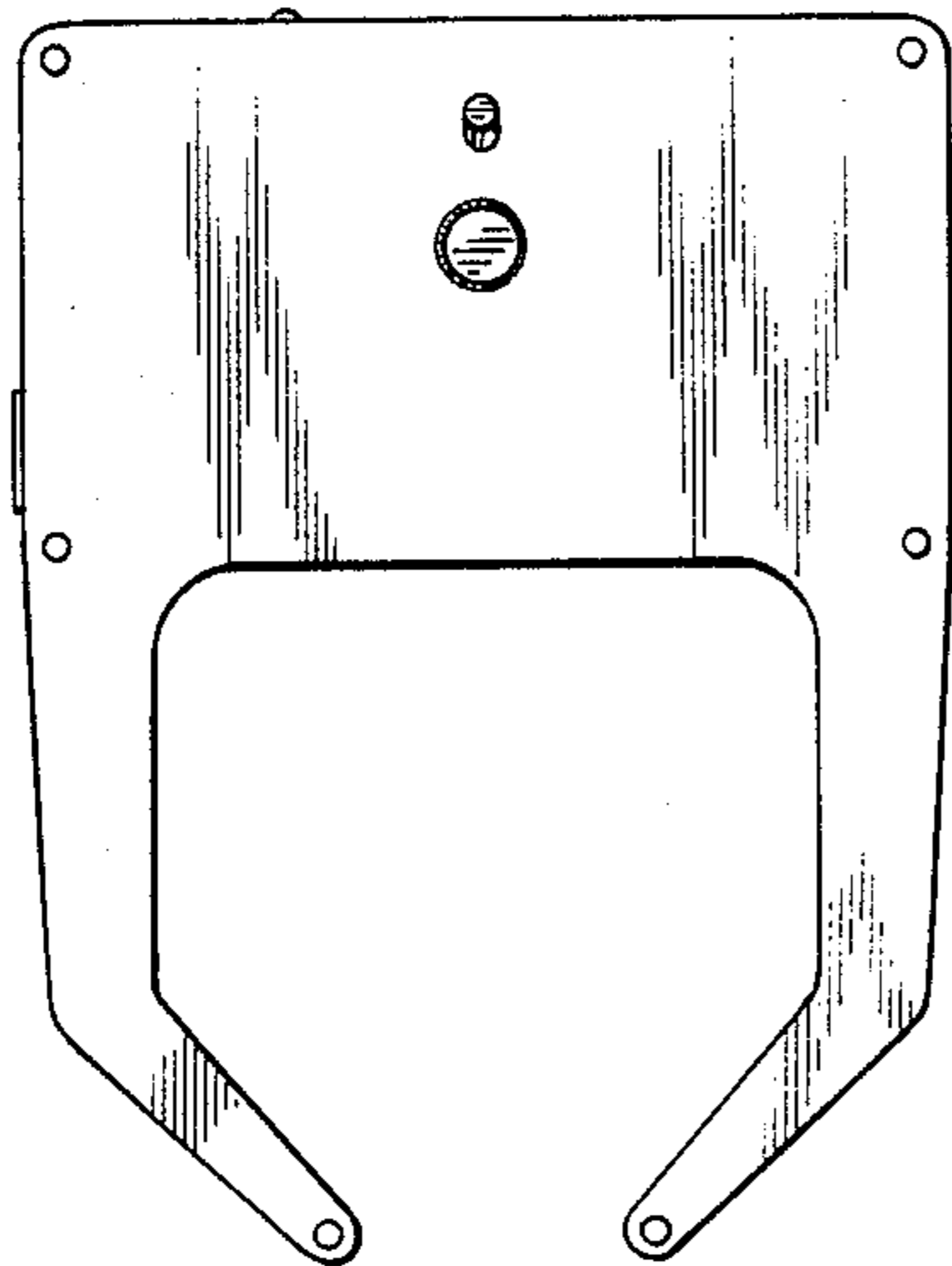


FIG. 4

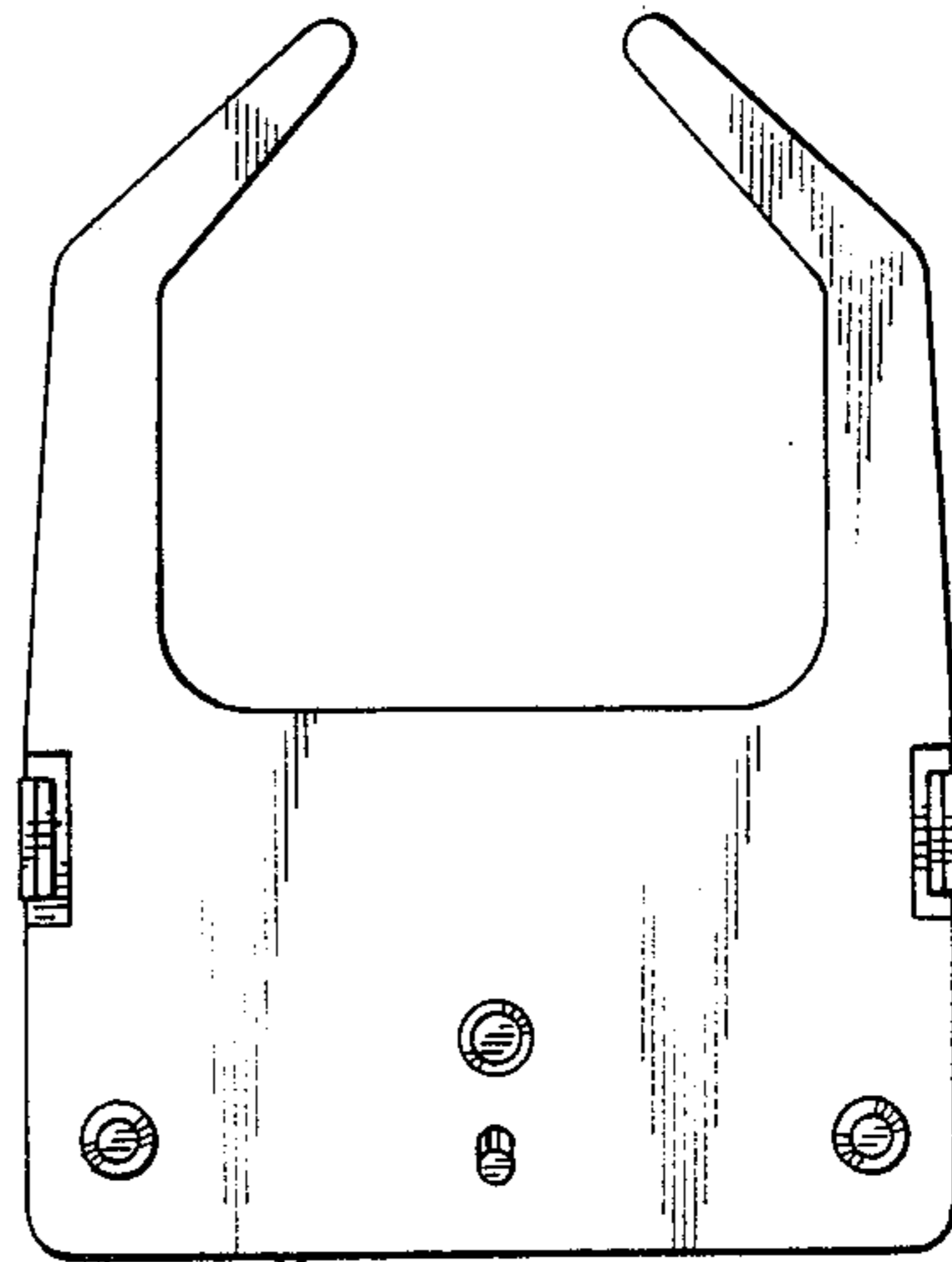


FIG. 5

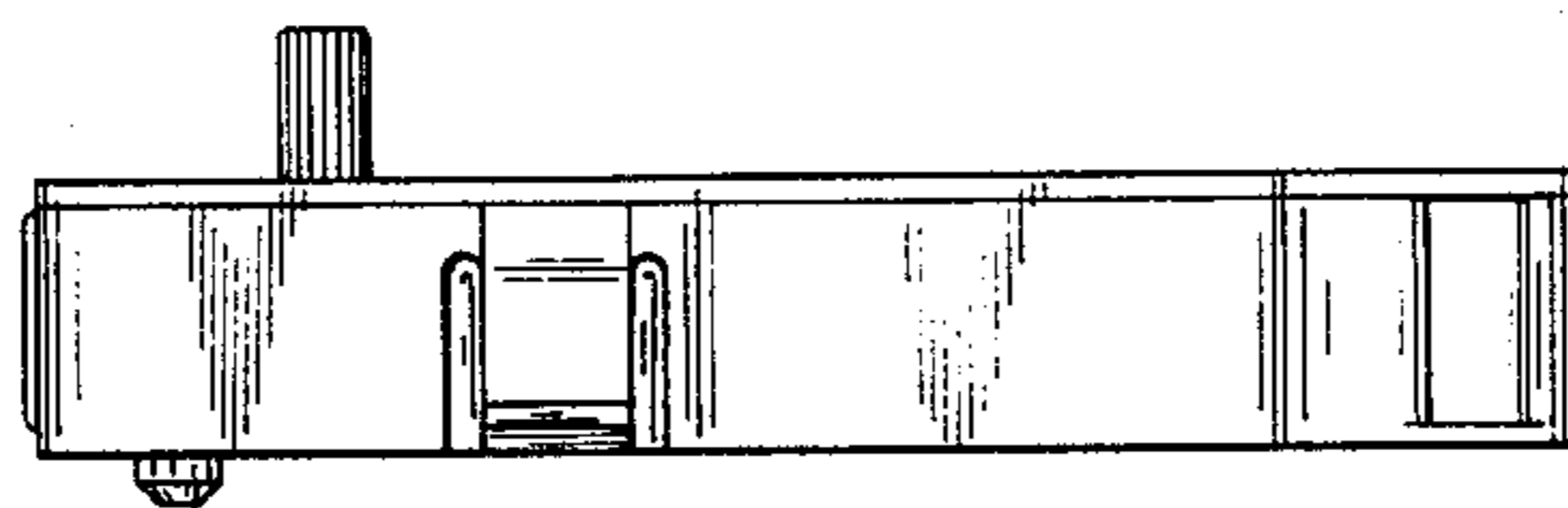


FIG. 6

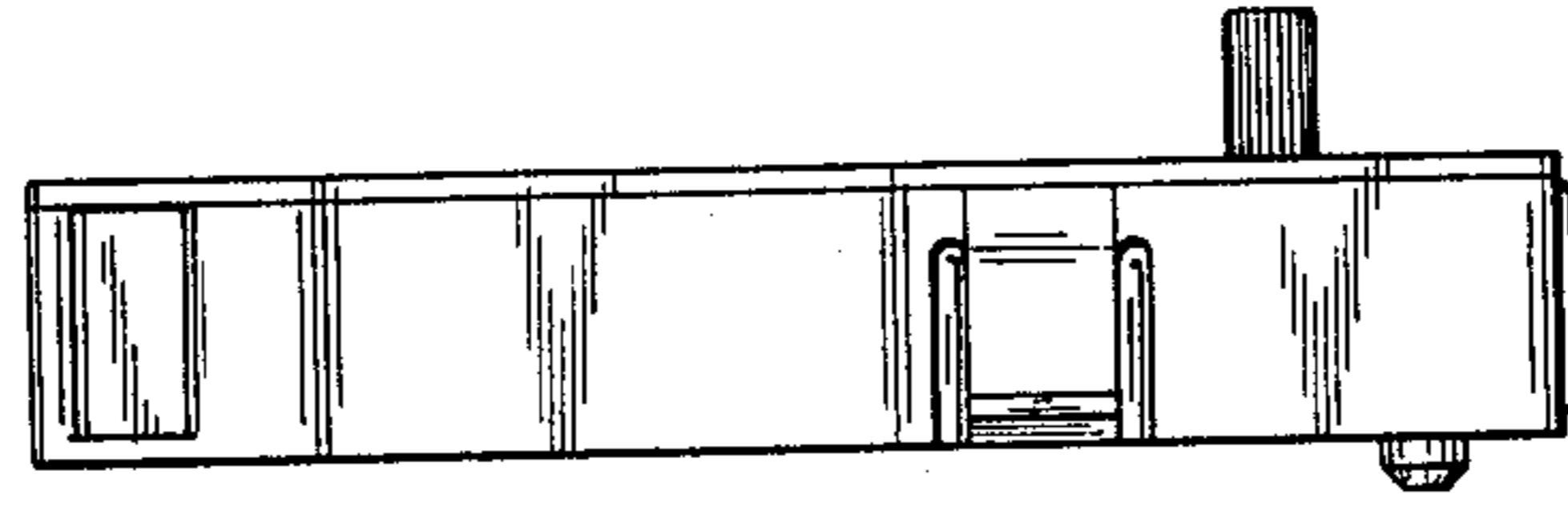


FIG. 7

