

[54] INKING RIBBON CASSETTE

[75] Inventors: Till Altmann; Guenter Specht, both of Munich, Fed. Rep. of Germany

[73] Assignee: Siemens Aktiengesellschaft, Berlin and Munich, Fed. Rep. of Germany

[**] Term: 14 Years

[21] Appl. No.: 906,159

[22] Filed: Sep. 11, 1986

[30] Foreign Application Priority Data

Mar. 11, 1986 [DE] Fed. Rep. of Germany 95 MR 5616

[52] U.S. Cl. D18/12

[58] Field of Search D18/12, 22, 23, 99; 400/196.1, 208

[56] References Cited

U.S. PATENT DOCUMENTS

D. 271,310	11/1983	Canning et al.	D18/12
D. 280,913	10/1985	Nibley et al.	D18/22
D. 281,331	11/1985	Nibley et al.	D18/12
D. 281,332	11/1985	Nibley et al.	D18/12
D. 281,333	11/1985	Nibley et al.	D18/22
D. 285,808	9/1986	Fuziwara et al.	D18/22
4,132,485	1/1979	Hess	400/208

Primary Examiner—James R. Largen
Attorney, Agent, or Firm—Hill, Van Santen, Steadman & Simpson

[57] CLAIM

The ornamental design for an inking ribbon cassette, as shown and described.

DESCRIPTION

FIG. 1 is a perspective view taken from the top, front and left side of an inking ribbon cassette showing our new design;

FIG. 2 is a right side elevational view thereof;

FIG. 3 is a bottom plan view thereof; and,

FIG. 4 is a rear elevational view thereof.

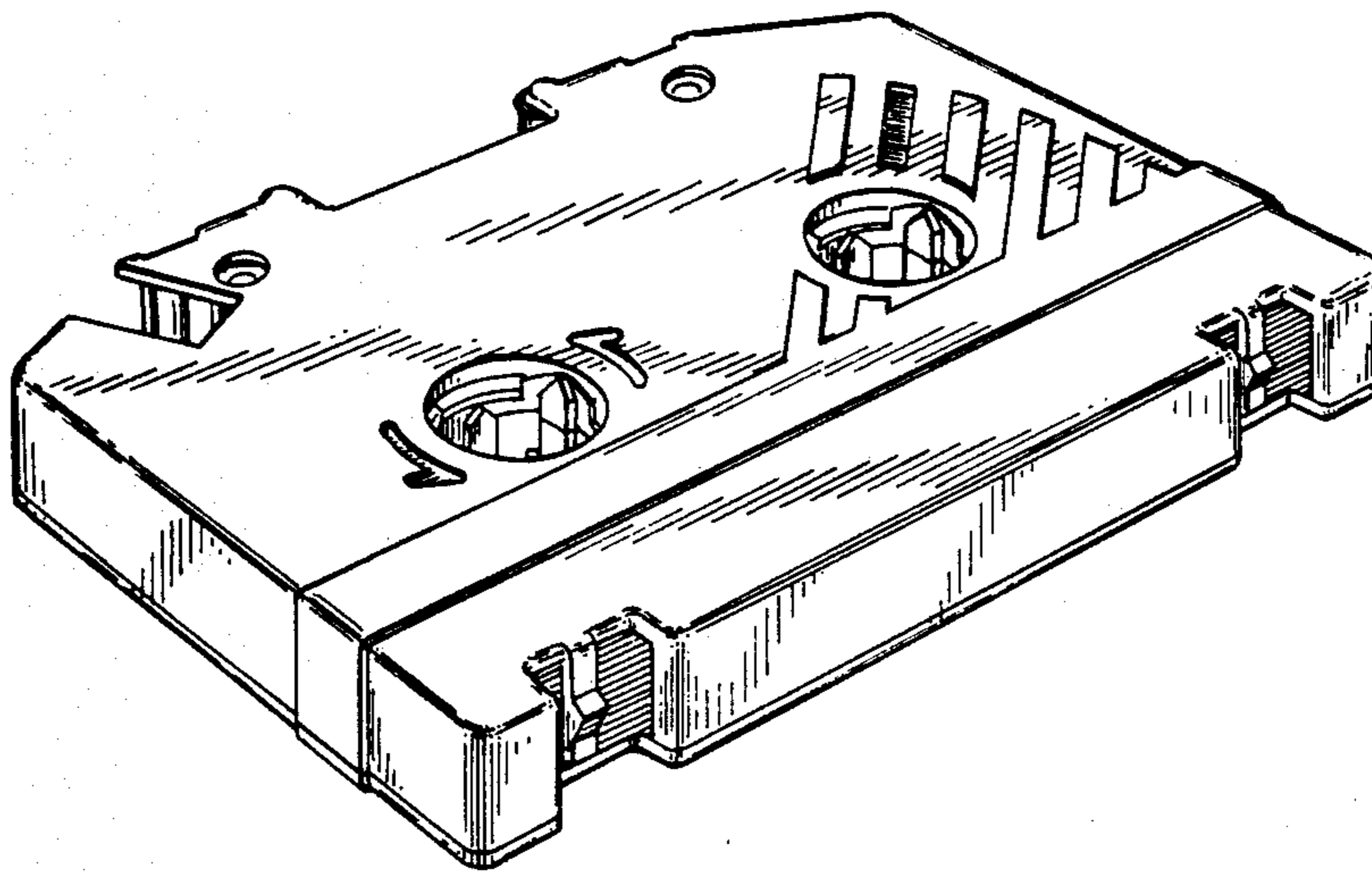


FIG. 1

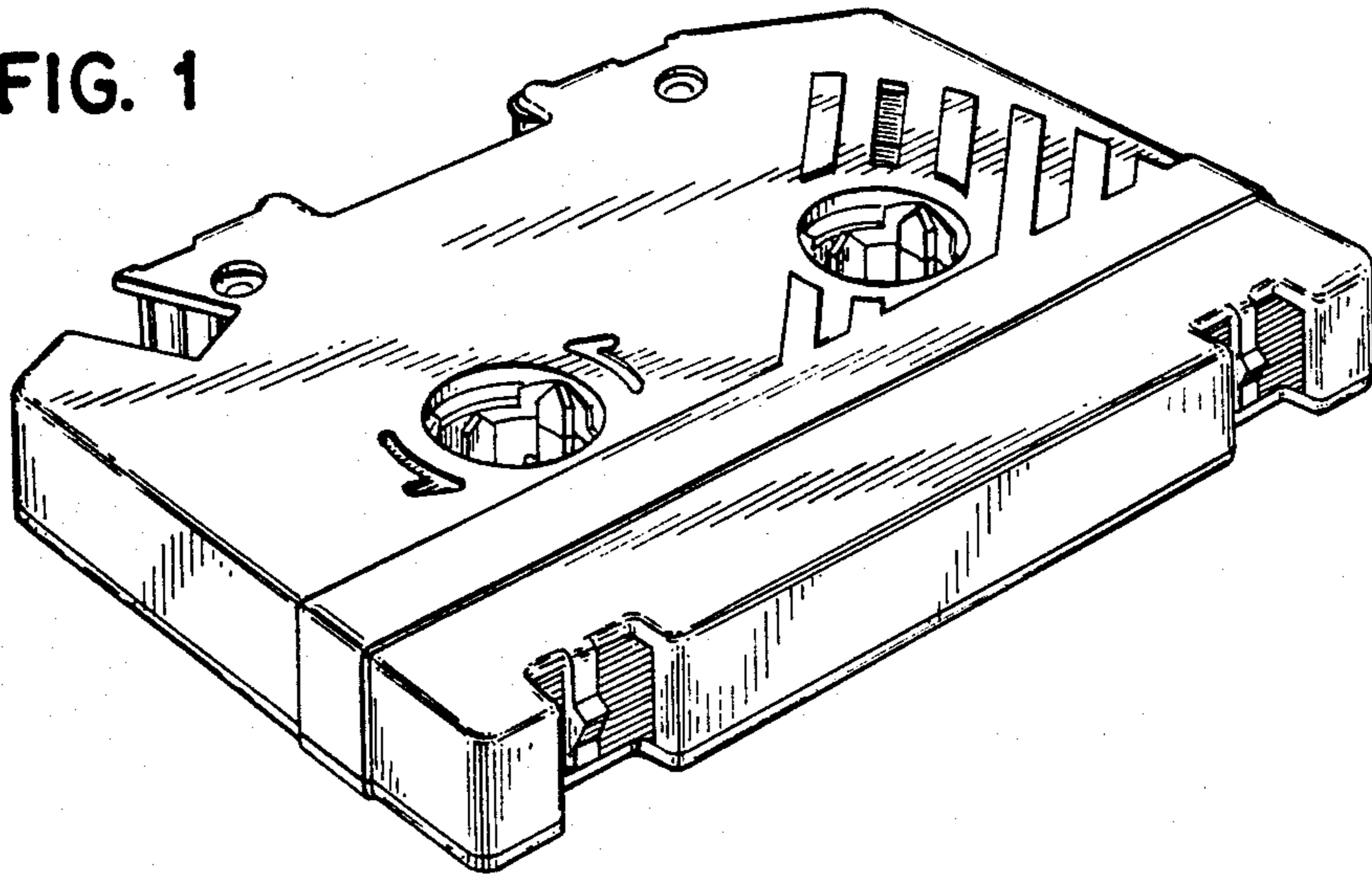


FIG. 2



FIG. 3

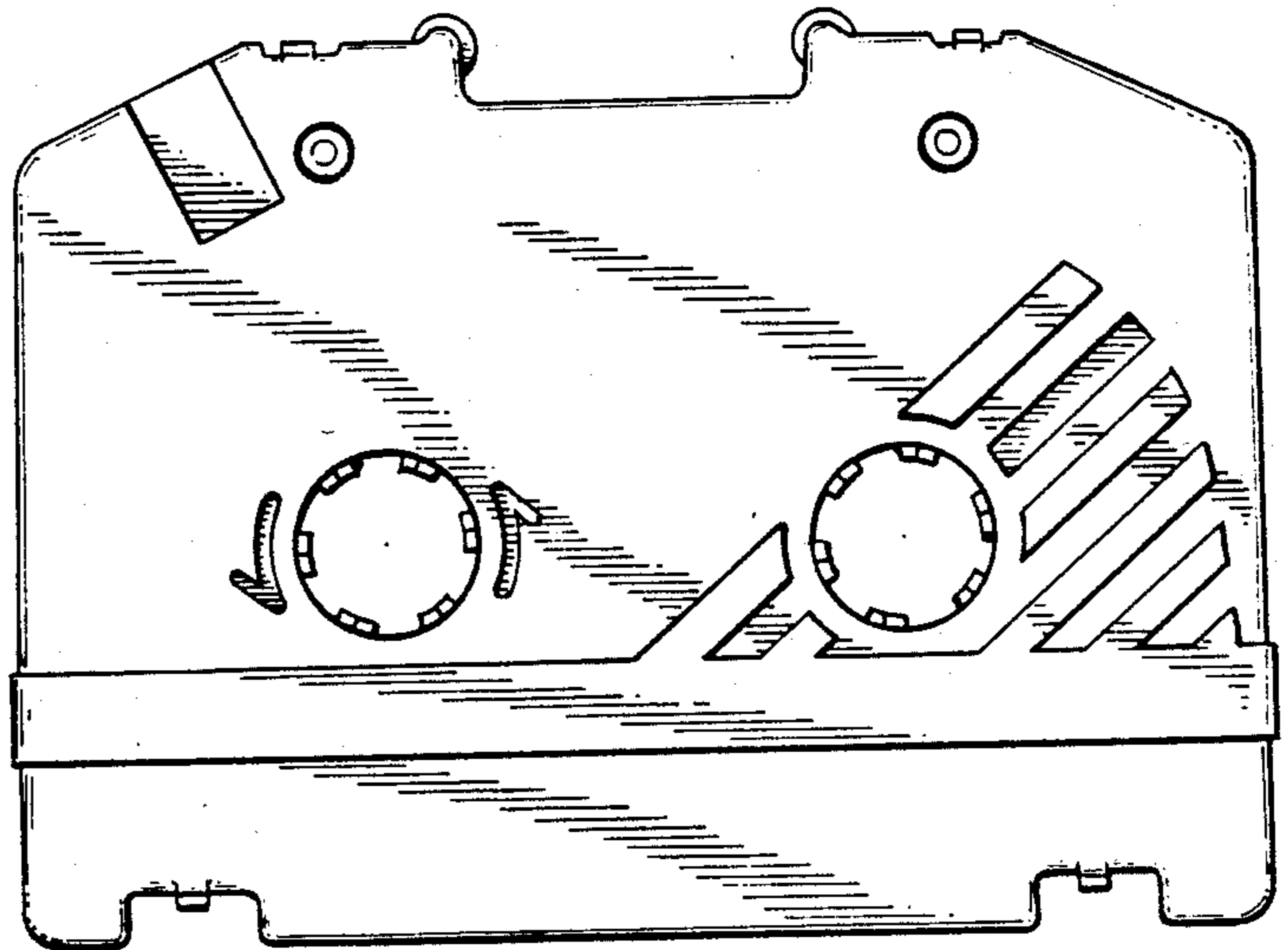


FIG. 4

