

[54] **FILM HOLDER**
[75] **Inventor: James R. Cawthorne, Burbank, Calif.**
[73] **Assignee: Fidelity Manufacturing Company, Burbank, Calif.**
[**] **Term: 14 Years**
[21] **Appl. No.: 857,606**
[22] **Filed: Apr. 24, 1986**
[52] **U.S. Cl. D16/236; 354/276; 354/275; 354/283**
[58] **Field of Search 354/276, 275, 283; D16/236, 237**

227999 1/1925 United Kingdom 354/276

OTHER PUBLICATIONS

Burke & James, Inc., Cataloge, 1966, 43, Film Holder top left.

Primary Examiner—Nelson C. Holtje
Assistant Examiner—Caron D. Veynar
Attorney, Agent, or Firm—Fulwider, Patton Lee & Utecht

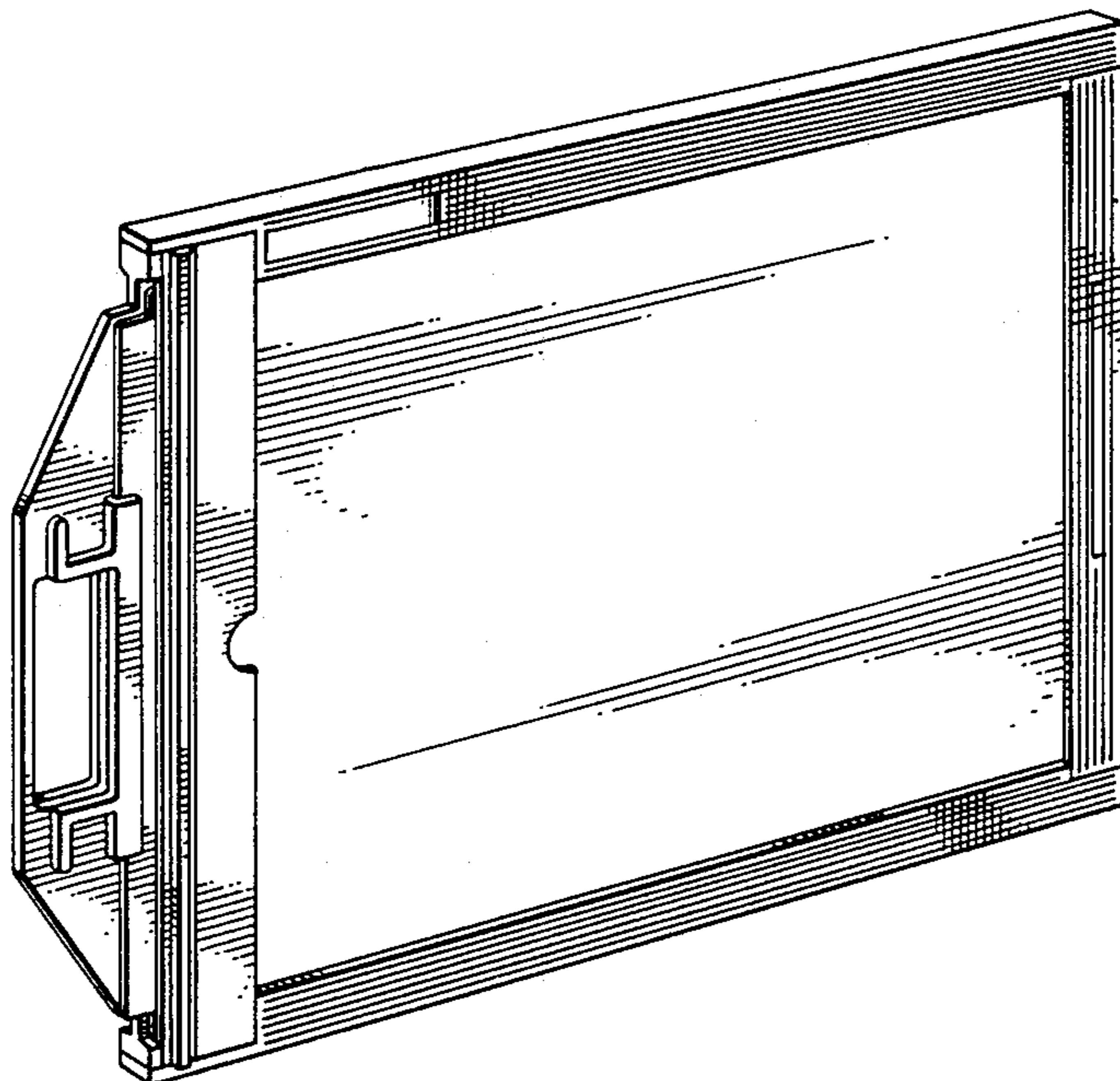
CLAIM

[57] The ornamental design for a film holder, as shown and described.

DESCRIPTION

FIG. 1 is a perspective view of a film holder showing my new design;
FIG. 2 is an enlarged, top plan view of the film holder shown in FIG. 1, the bottom plan view being identical thereto;
FIG. 3 is an enlarged, left end elevational view thereof;
FIG. 4 is an enlarged, right end elevational view thereof; and
FIG. 5 is a rear elevational view thereof.

[56] **References Cited**
U.S. PATENT DOCUMENTS
1,267,159 5/1918 Zuckerman 354/276
2,450,841 10/1948 Moore 354/283
2,676,901 4/1954 Panosian 354/276
FOREIGN PATENT DOCUMENTS
3118 of 1898 United Kingdom 354/276



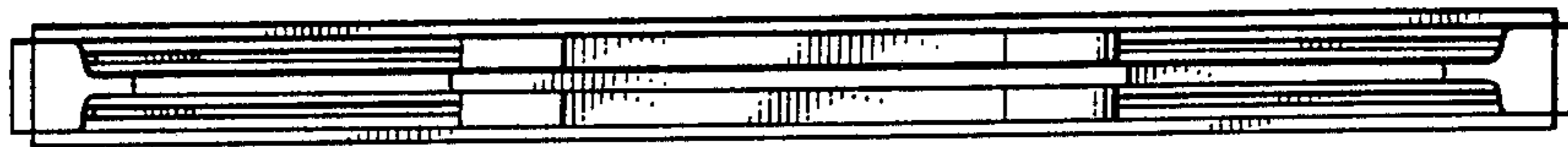


FIG. 3

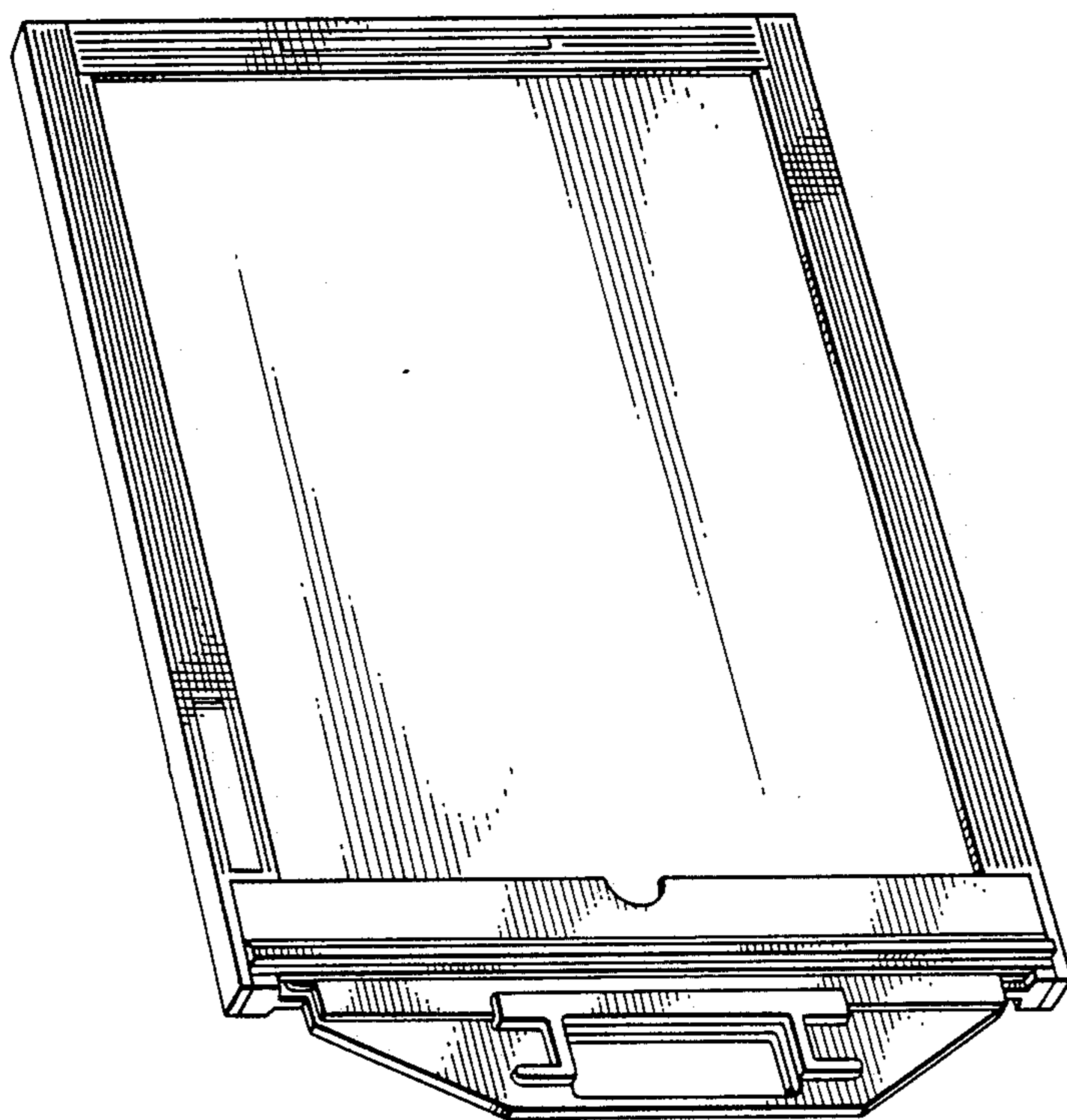


FIG. 1

FIG. 2



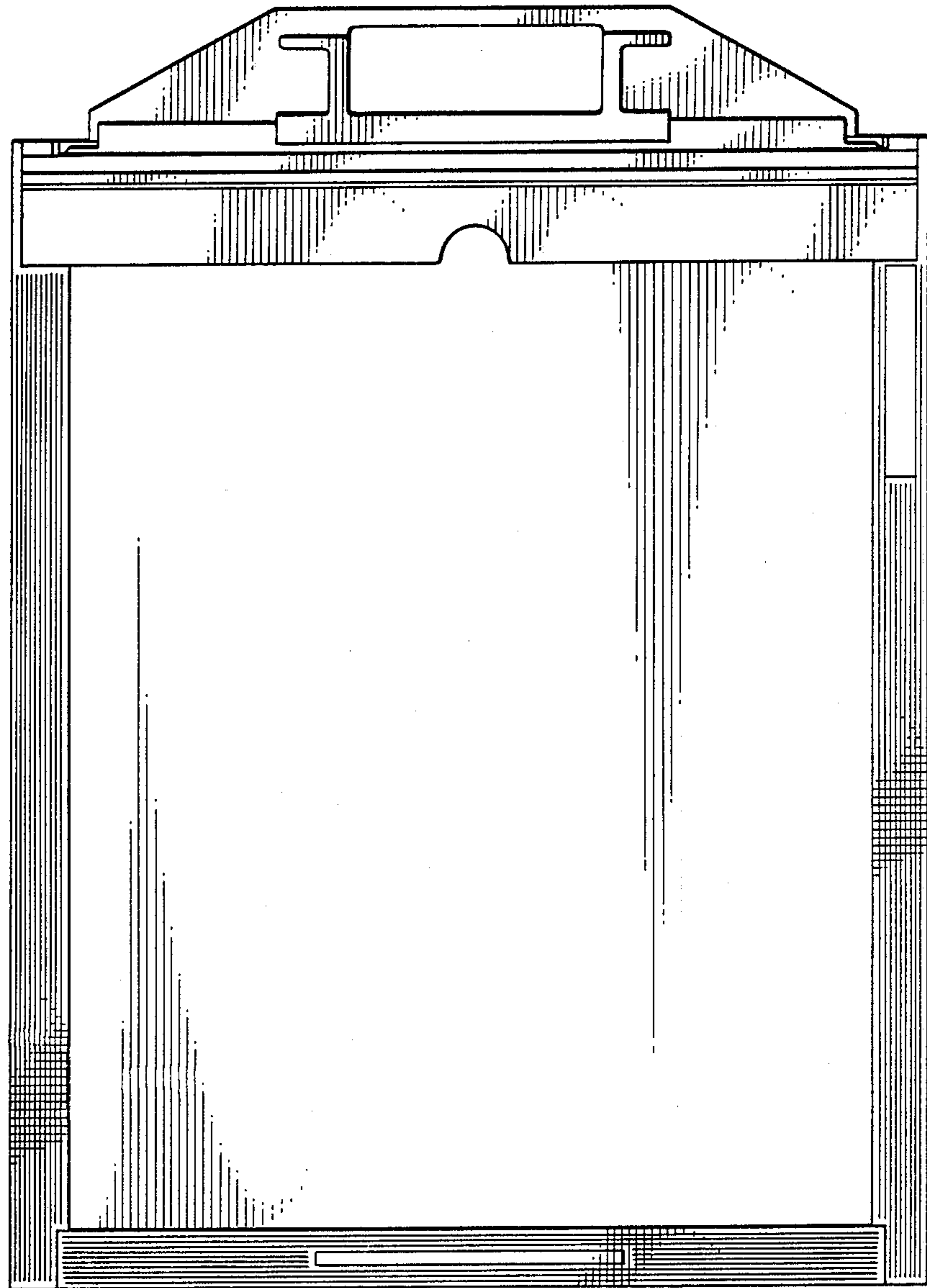


FIG. 5



FIG. 4