

[54] COVER PANELS FOR COMBINE SKID  
PLATE PANELS

FOREIGN PATENT DOCUMENTS

2100562 1/1983 United Kingdom ..... D15/28

[76] Inventor: Thermon D. Rabitsch, P.O. Box 349,  
Monticello, Ga. 31064

OTHER PUBLICATIONS

Commercial Car Journal, Oct. 1960, p. CH-C5, Grous-  
ers.

[\*\*] Term: 14 Years

"Northern Show Stoppers", *Farm Industry News*, vol.  
18, No. 3, pp. 46-47 (Mar. 1985).

[21] Appl. No.: 908,616

Primary Examiner—Bruce W. Dunkins

Assistant Examiner—Ruth Takemoto

Attorney, Agent, or Firm—Mason, Fenwick & Lawrence

[22] Filed: Sep. 18, 1986

[52] U.S. Cl. .... D15/28

[58] Field of Search ..... D15/10-12,  
D15/25, 27-29, 32-33; 56/119, 303, 318, DIG.  
24, 17.4, 17.2, 6, 320.1, 13.6; 172/112, 508-509

[57] CLAIM

The ornamental design for a cover panels for combine  
skid plate panels, as shown and described.

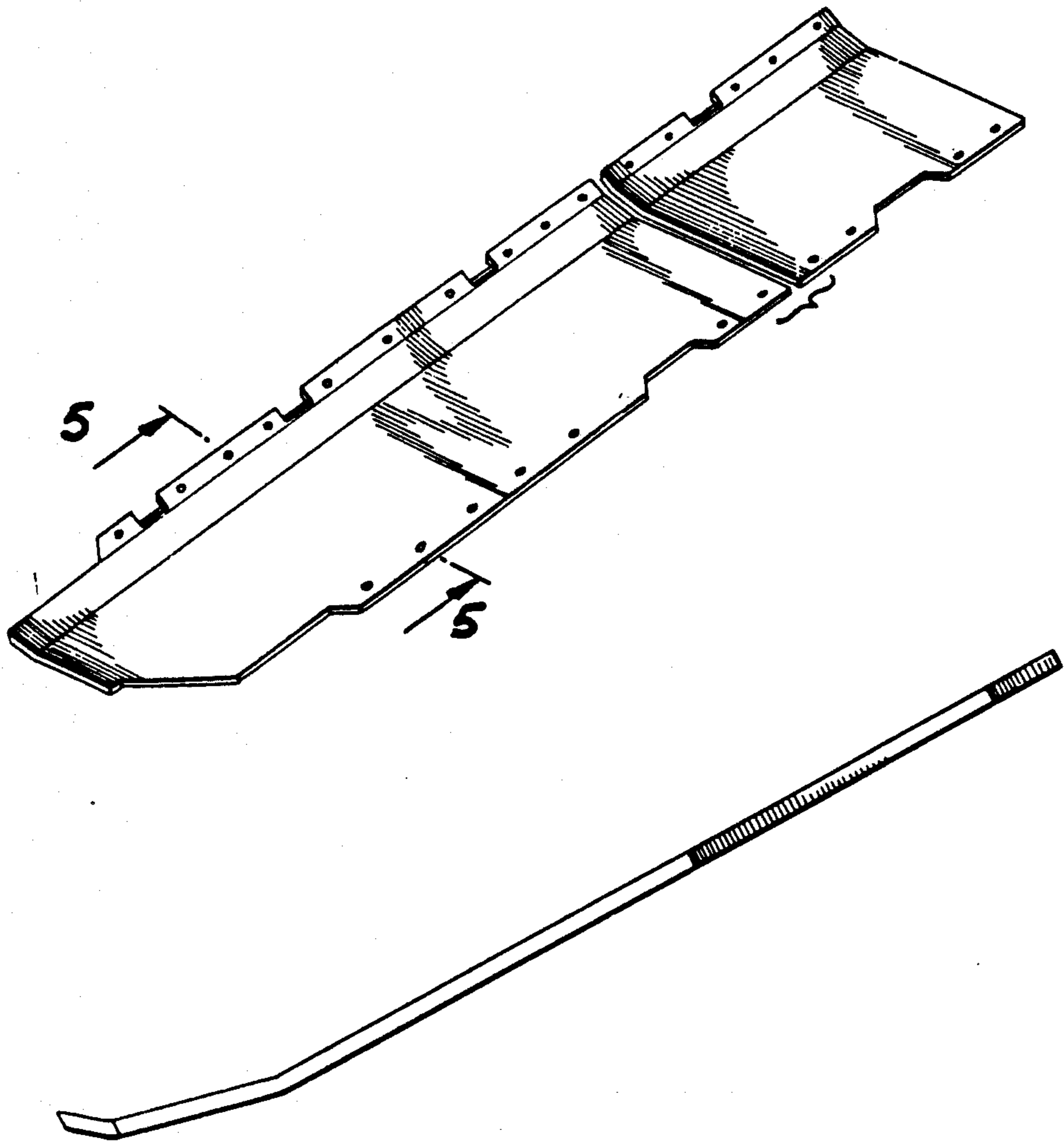
DESCRIPTION

FIG. 1 is a bottom perspective view of cover panels for  
combine skid plate panels showing my new design;  
FIG. 2 is a top perspective view thereof;  
FIG. 3 is a left side elevational view thereof;  
FIG. 4 is a right side elevational view thereof; and  
FIG. 5 is a cross-sectional view thereof, taken along  
lines 5-5 in FIG. 2.

[56] References Cited

U.S. PATENT DOCUMENTS

1,595,270	8/1926	Walker	.....	172/509
2,146,338	2/1939	Hucy	.....	172/509
3,226,920	1/1966	Gilbertson	.....	56/17.4
3,306,015	2/1967	Myers	.....	56/17.4
3,369,350	2/1968	Rogers et al.	.....	56/17.4



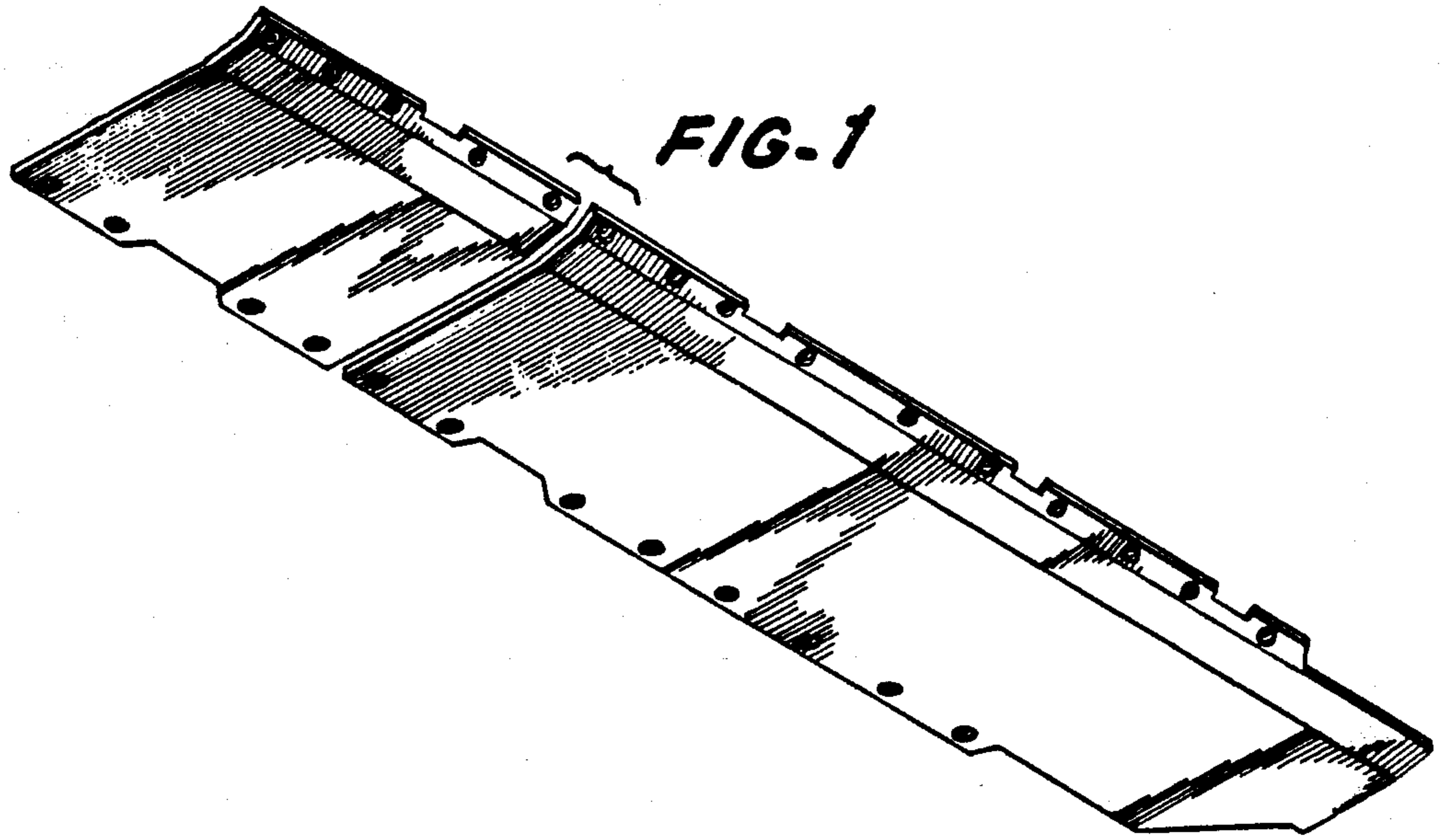


FIG-3

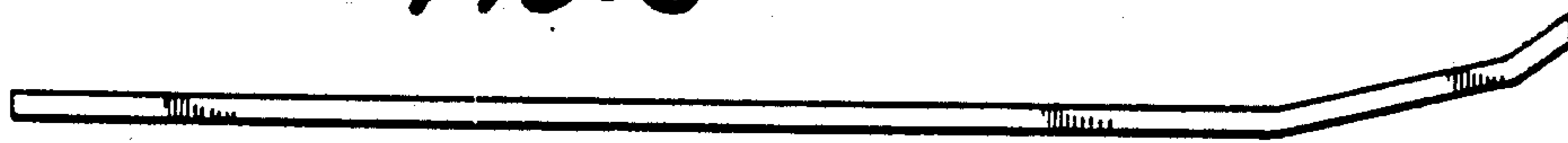


FIG-4

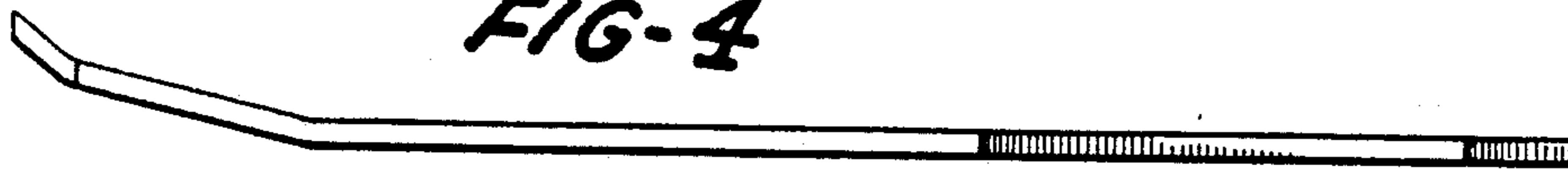


FIG-5

