

[54] HAND THROTTLE FOR BOATS

[76] Inventor: Waldemar Hanysz, Sr., 4414 Nesbitt Dr., Corpus Christi, Tex. 78415

[\*\*] Term: 14 Years

[21] Appl. No.: 1,996

[22] Filed: Jan. 9, 1987

[52] U.S. Cl. .... D15/4

[58] Field of Search ..... D15/4-5;  
440/6, 84; 74/480 B, 481, 491-492, 504, 471  
XY

[56] References Cited

U.S. PATENT DOCUMENTS

D. 295,867 5/1988 Walsh ..... D15/4  
4,746,311 5/1988 Kraus ..... 74/480 B X

OTHER PUBLICATIONS

Mercury Catalogue (1967)—last page—"Mercontrol".  
Mercury Catalogue (1980), p. 29, "Quicksilver" Throt-  
tle.

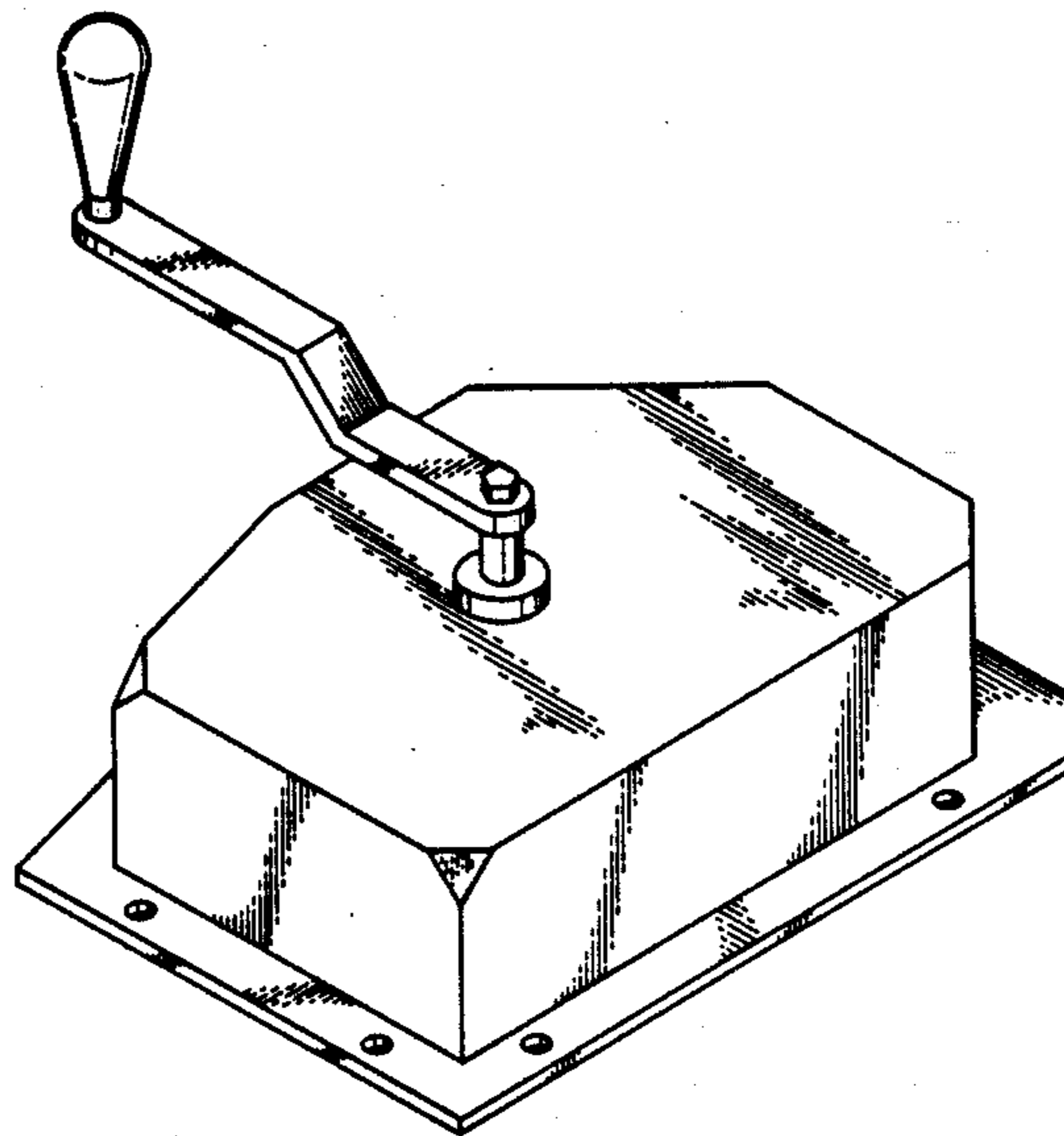
Primary Examiner—Wallace R. Burke  
Assistant Examiner—B. Vinson  
Attorney, Agent, or Firm—Terry M. Gernstein

[57] CLAIM

The ornamental design for a hand throttle for boats, as shown and described.

DESCRIPTION

FIG. 1 is a perspective view of a hand throttle for boats, showing my new design;  
FIG. 2 is a left side elevational view thereof;  
FIG. 3 is a front elevational view thereof;  
FIG. 4 is a rear elevational view thereof;  
FIG. 5 is a right side elevational view thereof; and  
FIG. 6 is a bottom view thereof.



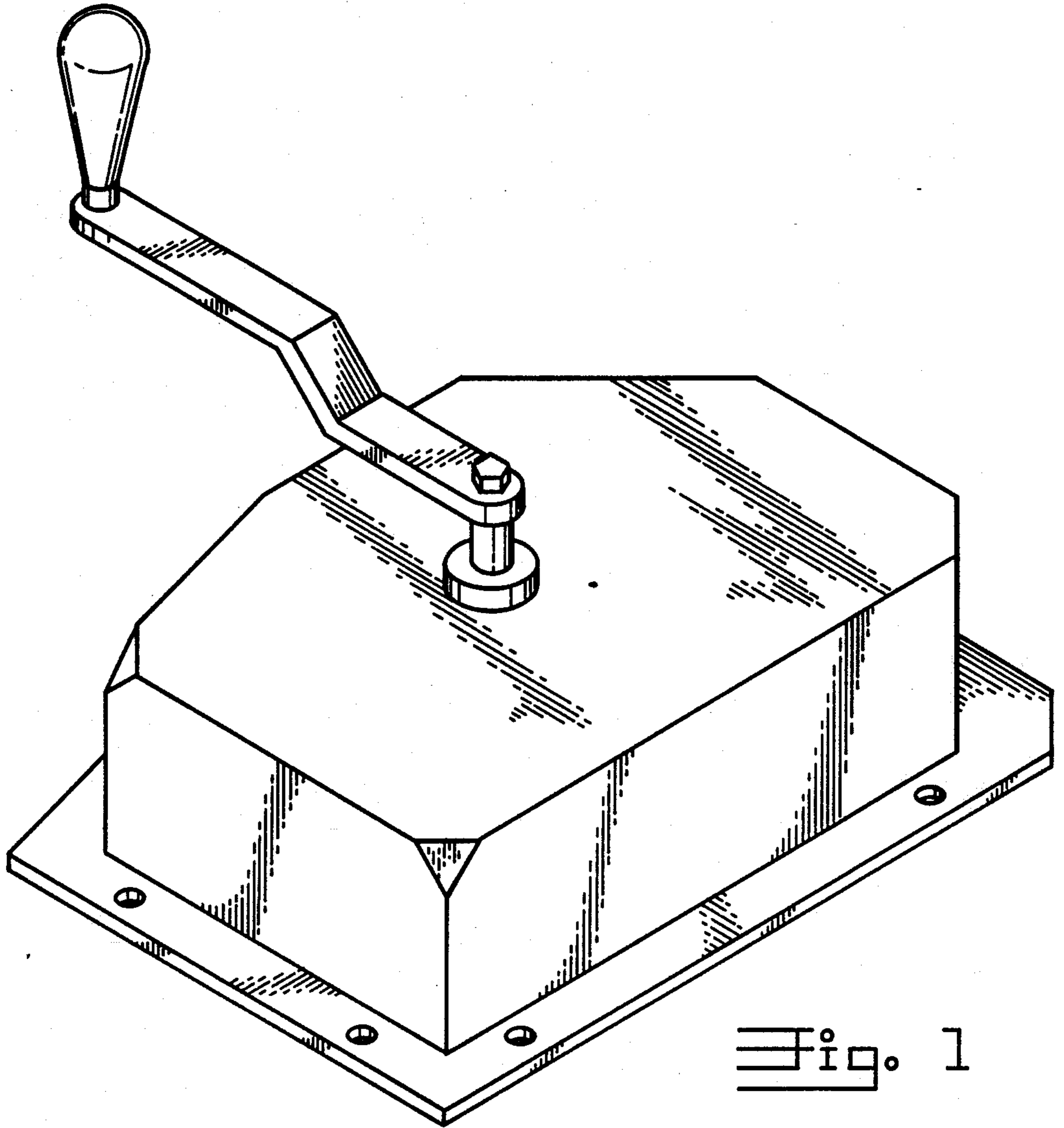


Fig. 1

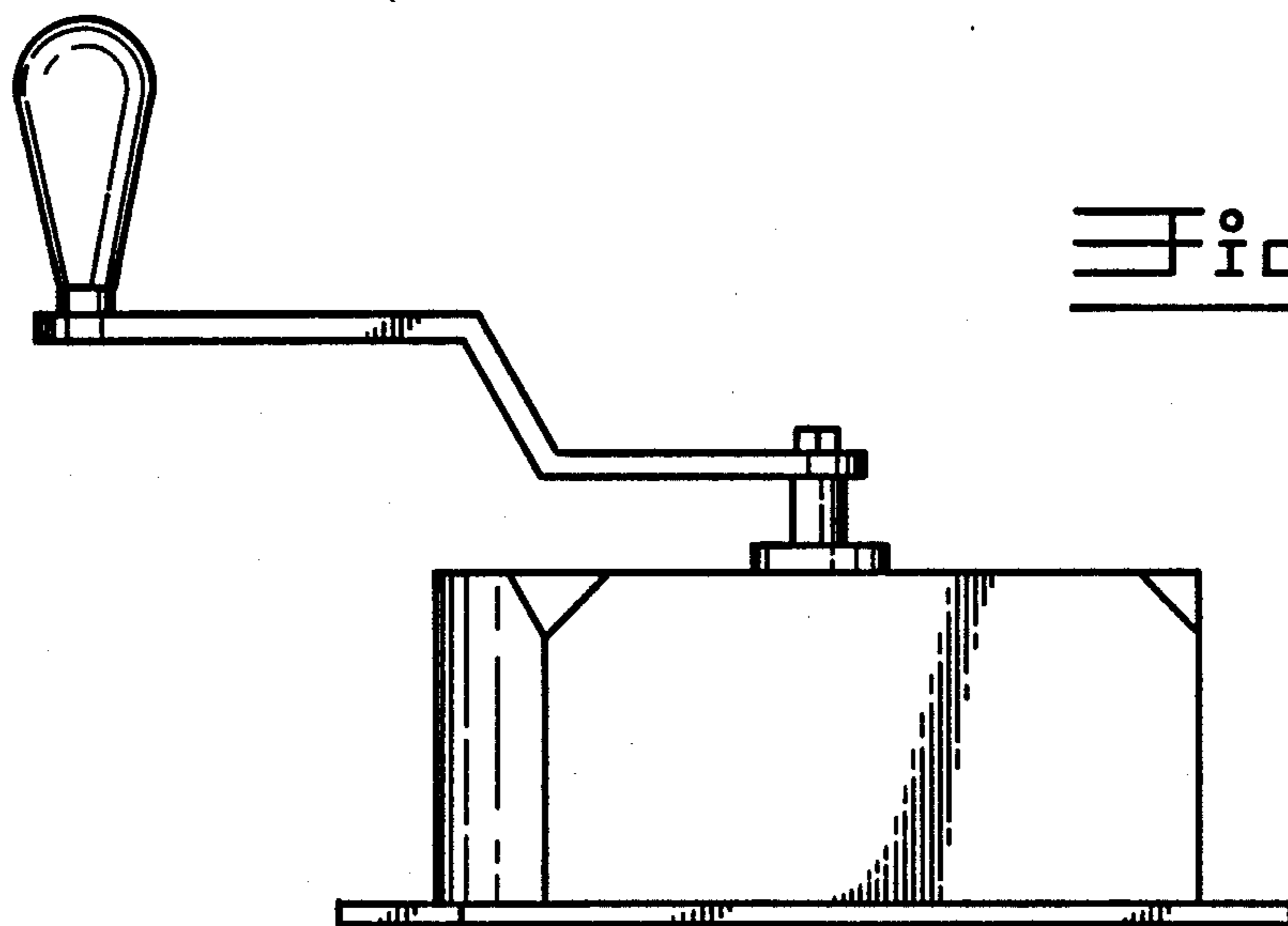


Fig. 2

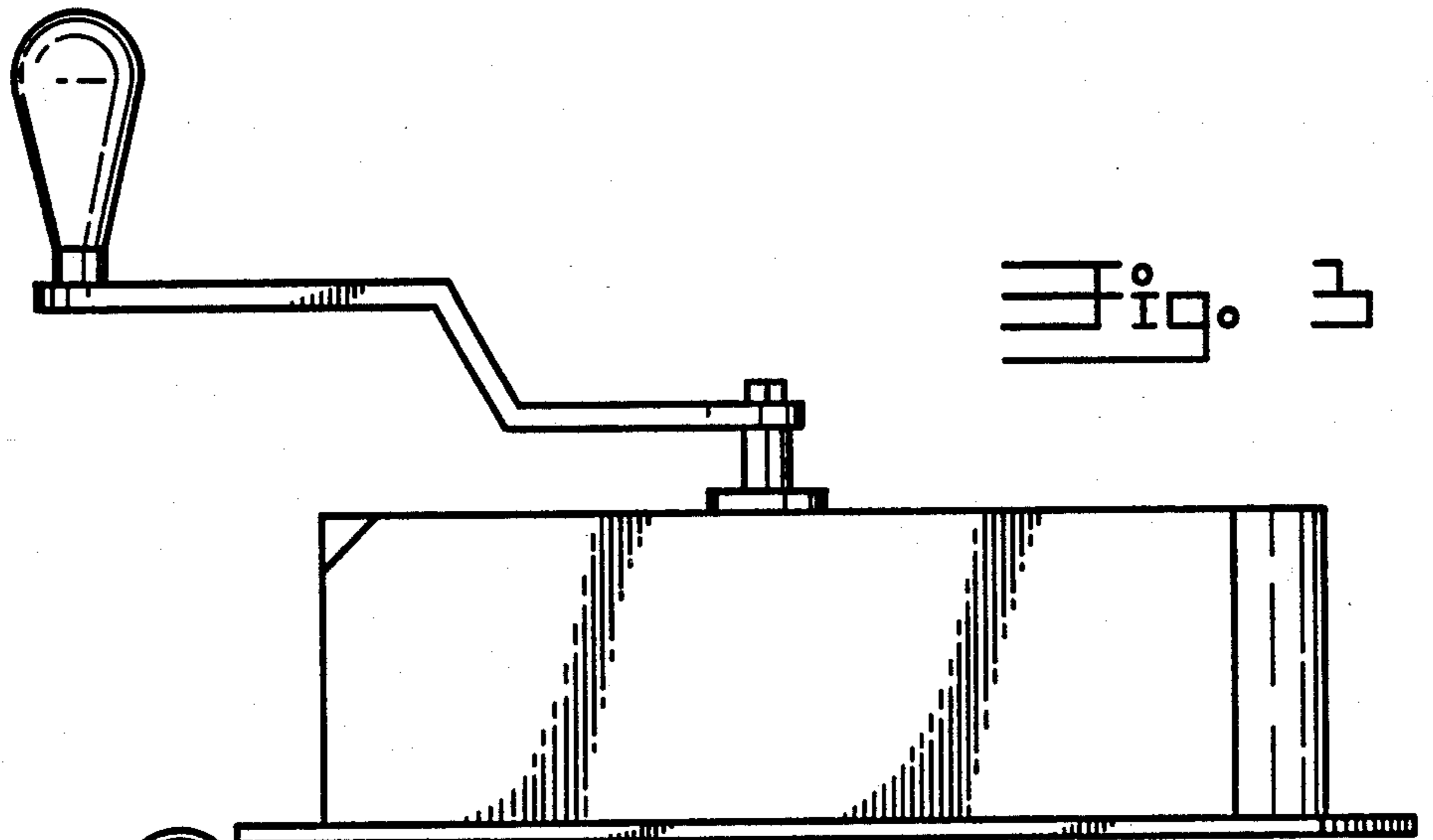


Fig. 3

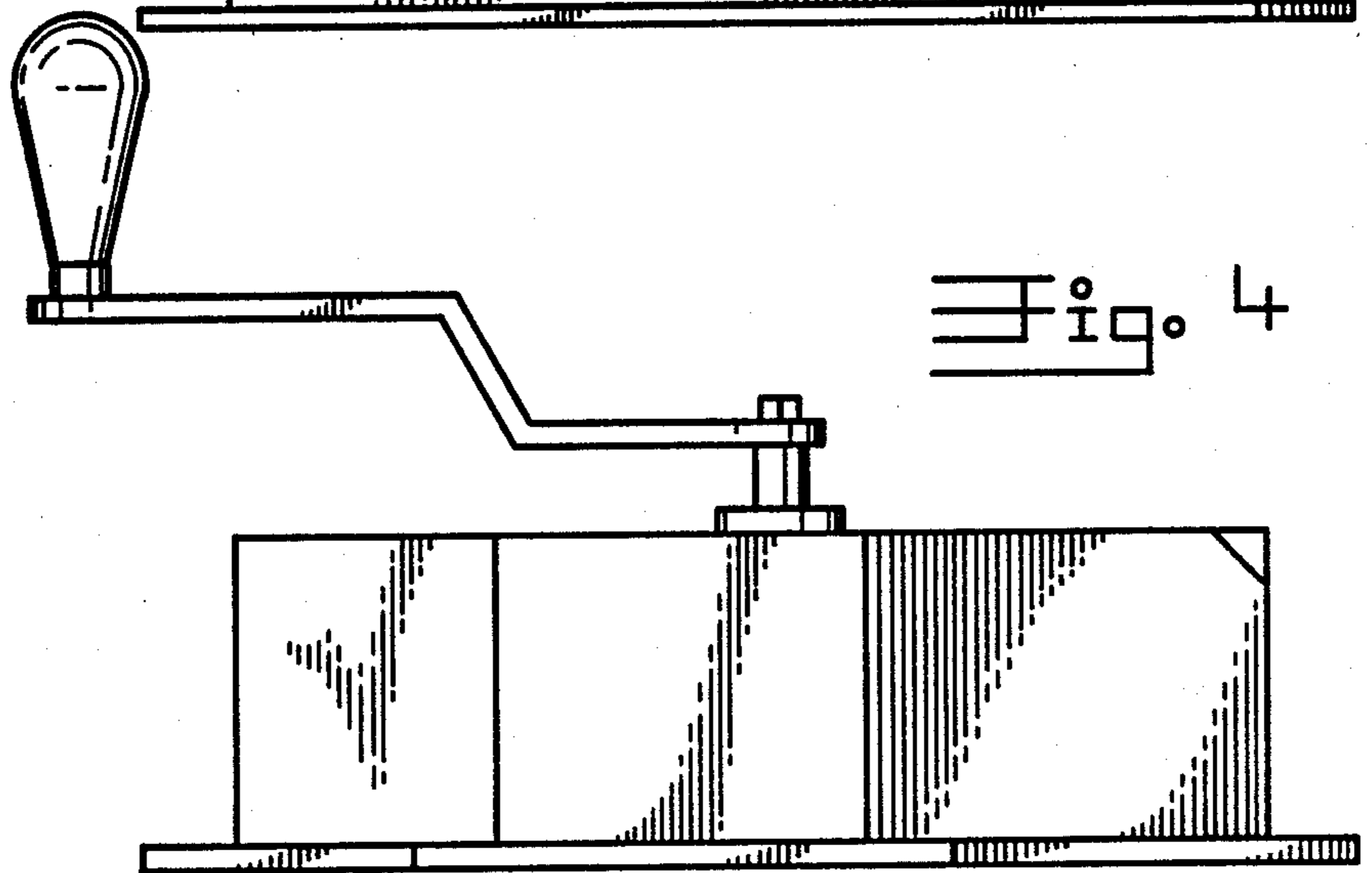


Fig. 4

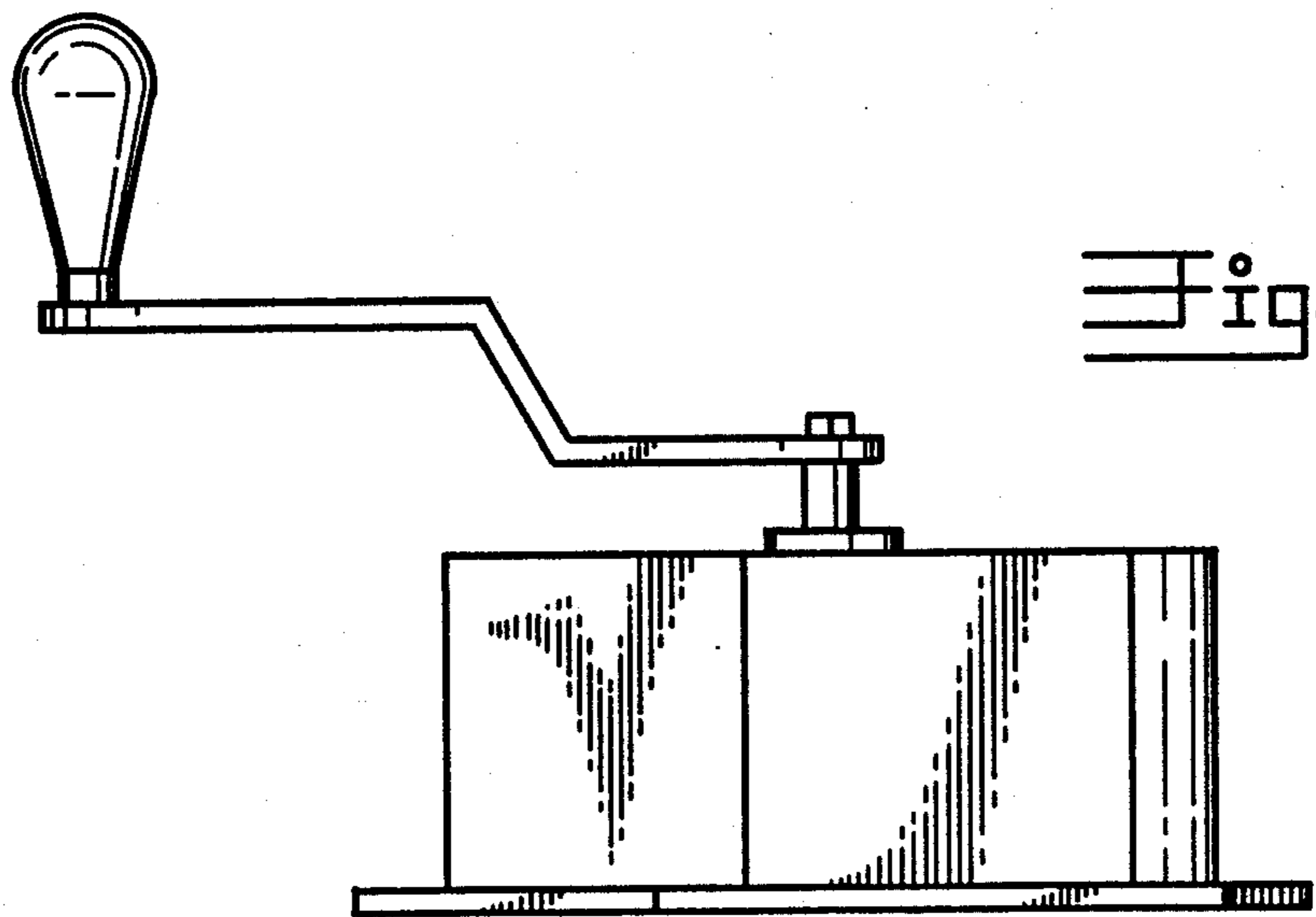


Fig. 5

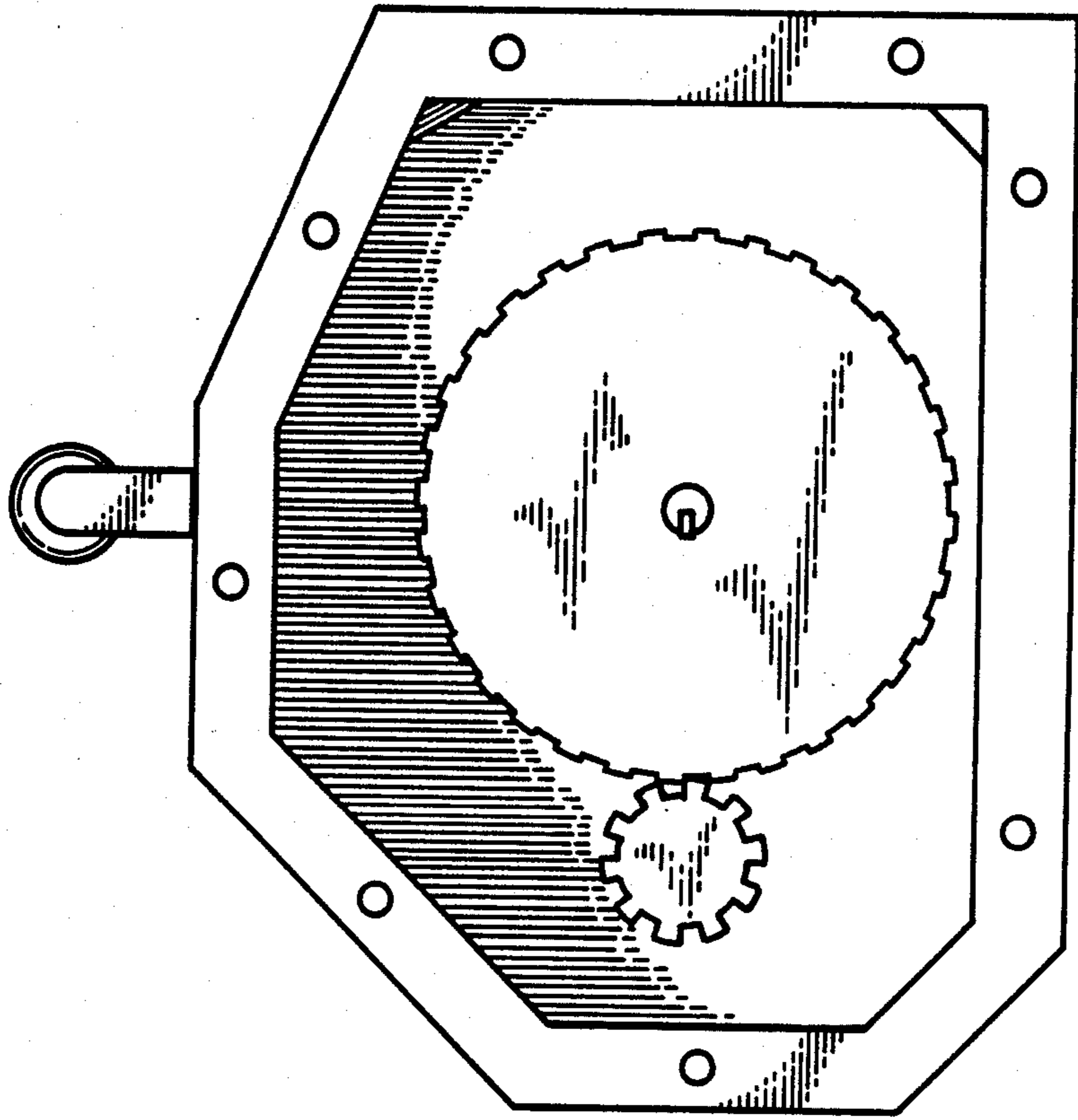


Fig. 6