

- [54] **KEYBOARD AND DISPLAY PANEL**
- [75] Inventor: **John M. Klebba**, Golden, Colo.
- [73] Assignee: **Geomation, Inc.**, Golden, Colo.
- [**] Term: **14 Years**
- [21] Appl. No.: **896,626**
- [22] Filed: **Aug. 14, 1986**
- [52] U.S. Cl. **D14/115**
- [58] Field of Search D14/100, 102, 106, 107, D14/113, 115; D18/1, 7, 11, 12; 235/145 R, 145 A; 340/709, 711, 706, 712, 365 R; 400/682; 358/249, 254; 364/130, 144, 189, 200, 706, 708

D. 289,649 5/1987 Jablonski D14/103
 D.298,536 11/1988 Brefka D14/105

OTHER PUBLICATIONS

Xerox Corporation 1983, p. 1-The Xerox 1800 Portable Computer System.

Primary Examiner—Susan J. Lucas
Assistant Examiner—Freda S. Nunn
Attorney, Agent, or Firm—W. Scott Carson

CLAIM

The ornamental design for a keyboard and display panel, as shown and described.

DESCRIPTION

FIG. 1 is a front perspective view of a keyboard and display panel showing my new design, the housing being shown in broken lines for illustrative purposes only;

FIG. 2 is a front elevational view thereof;

FIG. 3 is a top plan view thereof;

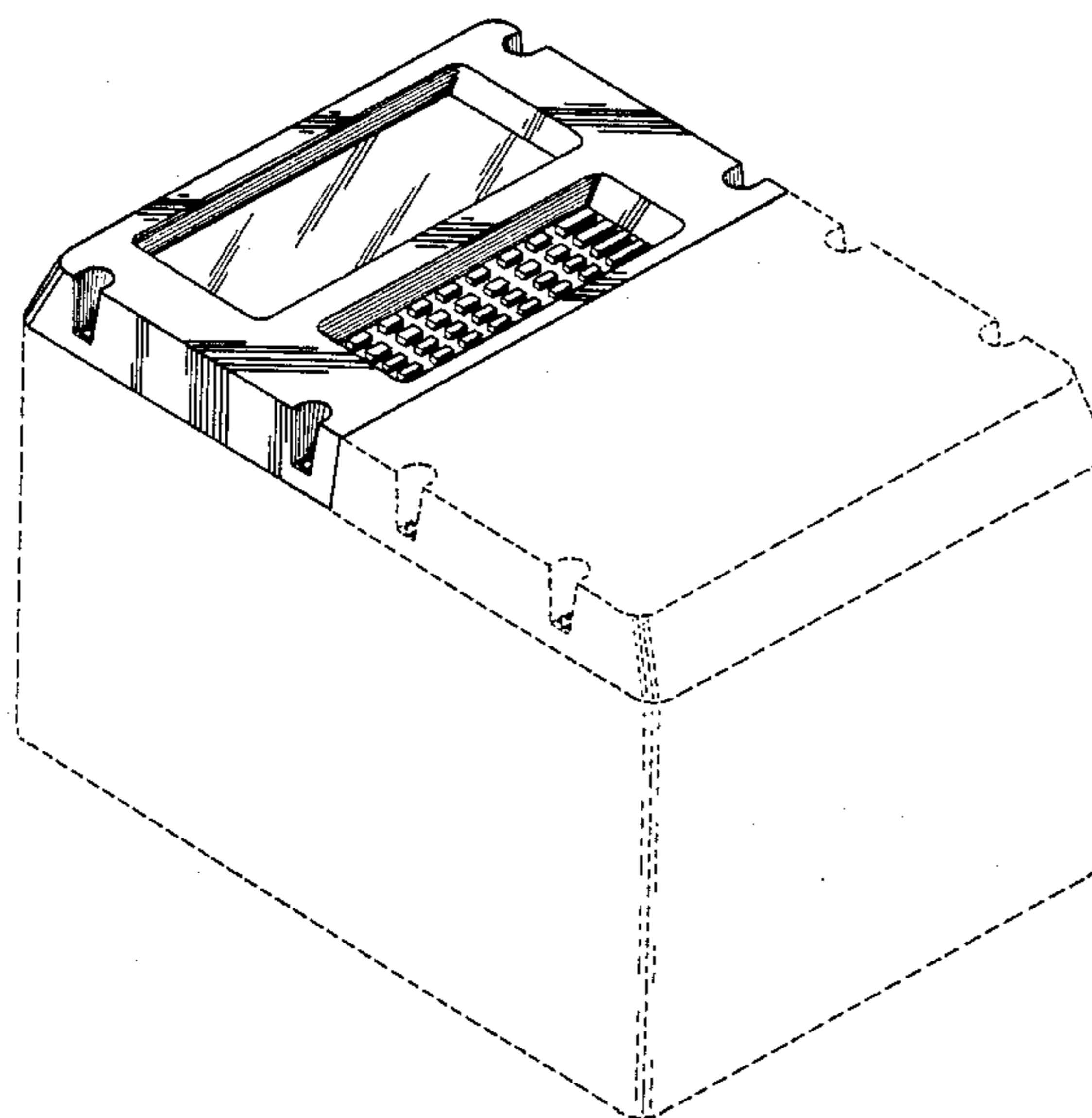
FIG. 4 is a left side elevational view thereof;

FIG. 5 is a right side elevational view thereof;

FIG. 6 is a bottom plan view thereof.

[56] **References Cited**
U.S. PATENT DOCUMENTS

- D. 227,769 7/1973 Yamamoto D18/7
- D. 250,260 11/1978 Inatomi D14/115
- D. 270,637 9/1983 Fukushima et al. D18/12 X
- D. 278,060 3/1985 Kitai D8/7 X
- D. 278,341 4/1985 Scheid D18/7 X
- D. 278,908 5/1985 Scheid et al. D18/7 X
- D. 282,662 2/1986 Scheid et al. D18/7 X



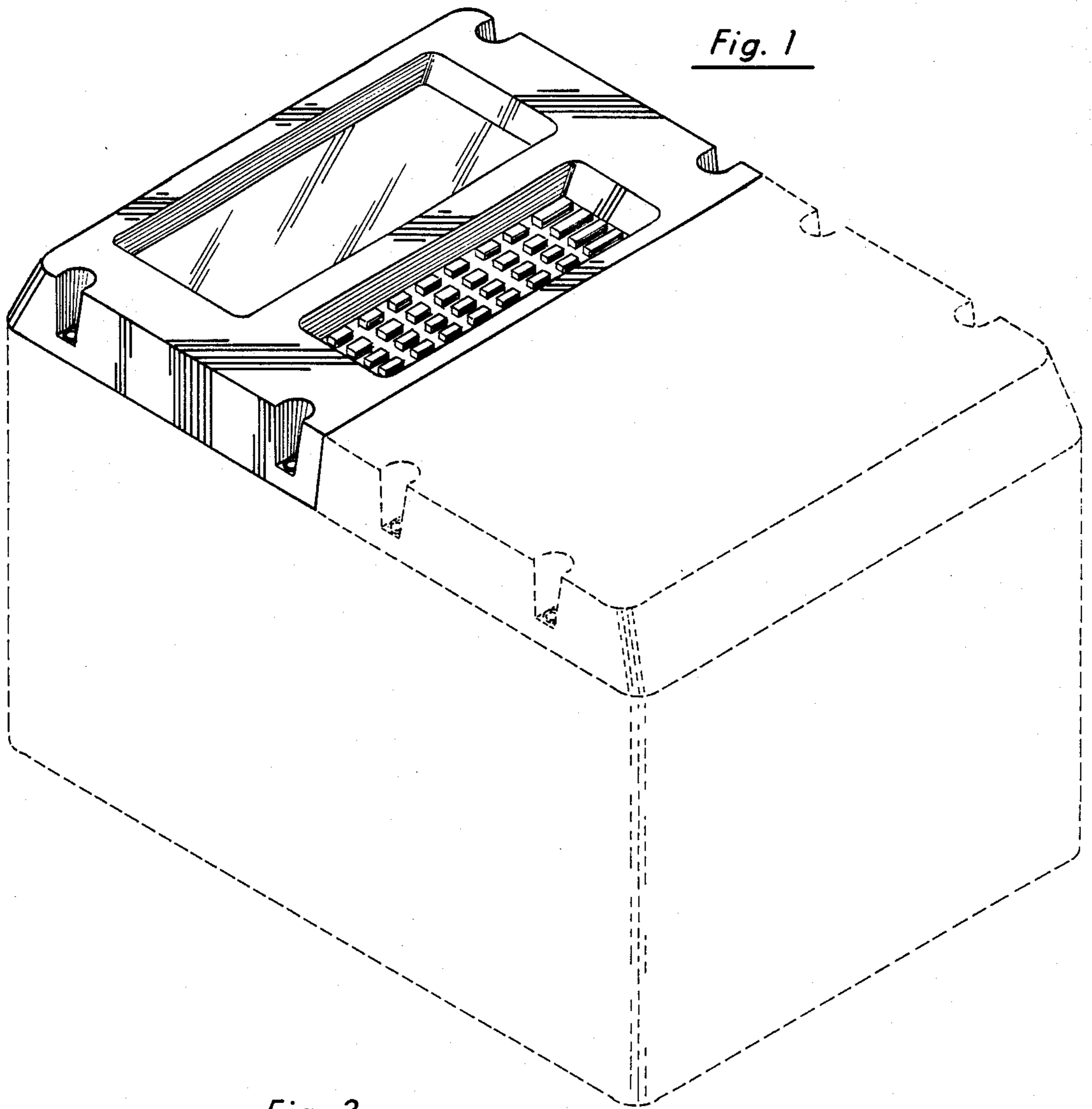


Fig. 3



Fig. 4

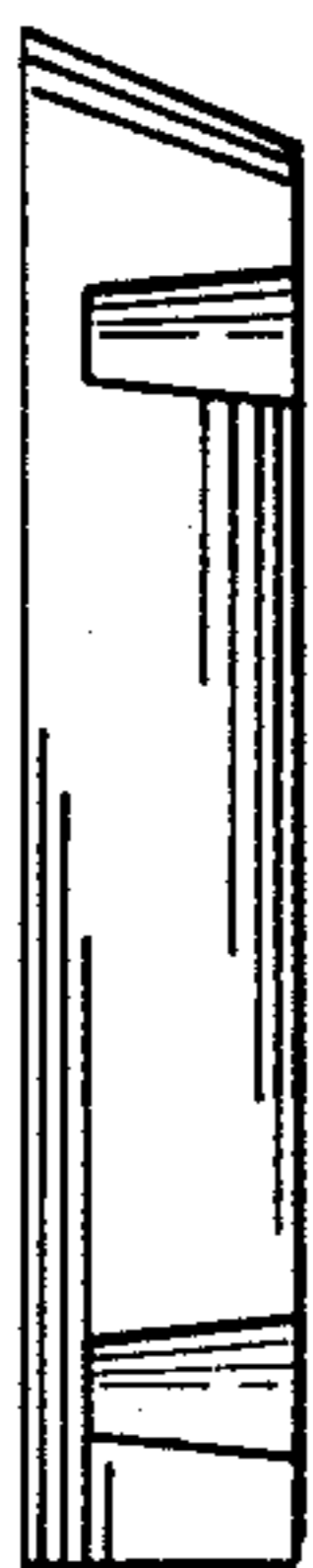


Fig. 5

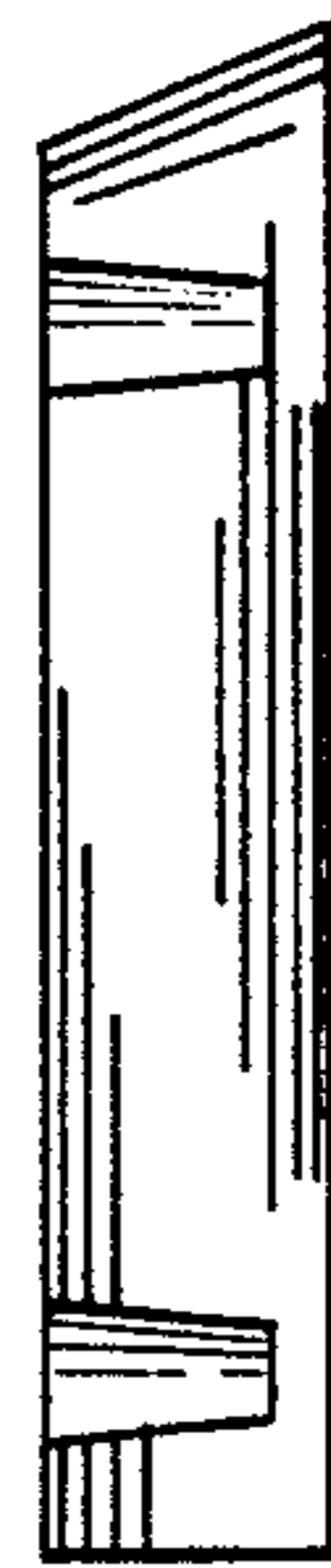


Fig. 2

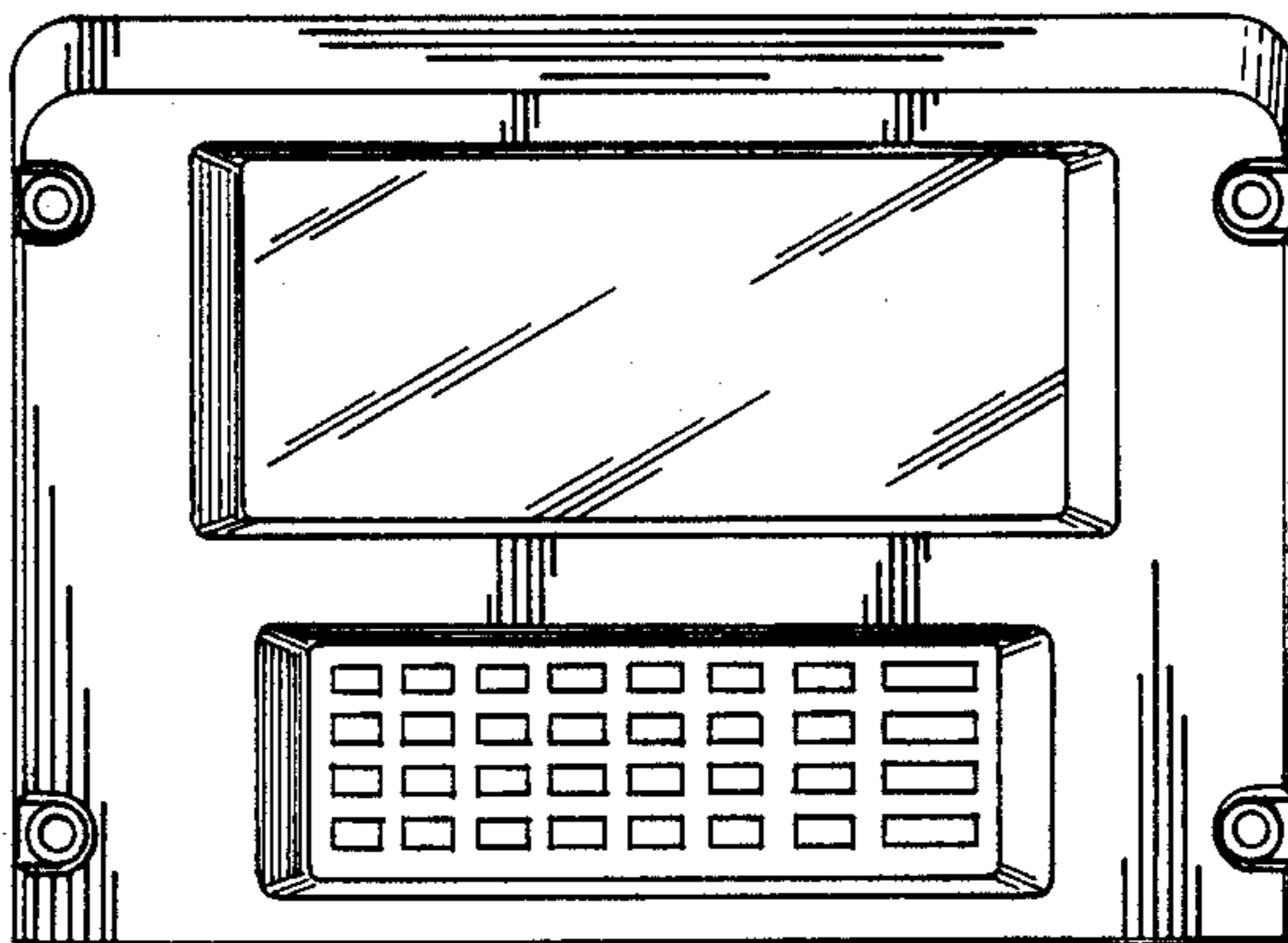


Fig. 6

