

[54] CABINET FOR COMPUTER KEYBOARD

[75] Inventors: Brian R. LaBudde, Greece; Kevin C. Koek, Rochester, both of N.Y.

[73] Assignee: Eastman Kodak Company, Rochester, N.Y.

[**] Term: 14 Years

[21] Appl. No.: 900,928

[22] Filed: Aug. 27, 1986

[52] U.S. Cl. D14/114

[58] Field of Search D14/100, 117; D18/1, D18/2, 7, 11, 12; 235/145 A, 145 R, 482; 340/700, 706, 711, 712; 400/676, 677, 682, 472, 489, 492, 496; 364/130, 144, 143, 145, 146, 189, 706-710; 358/249, 254; 341/22, 23; 200/5 A

[56] References Cited

U.S. PATENT DOCUMENTS

- D. 280,622 9/1985 Moggridge et al. D14/106 X
D. 285,562 9/1986 Graham et al. D14/100
D. 287,678 1/1987 Hatcher et al. D14/114 X
D. 298,493 11/1988 Hatcher et al. D14/114 X
1,496,200 1/1985 Hagstrom et al. 312/282 X
4,287,764 9/1981 Staab et al. 361/391 X
4,482,064 11/1984 Borke et al. 400/715 X
4,621,781 11/1986 Springer 400/715 X
4,709,972 12/1987 LaBudde et al. .

FOREIGN PATENT DOCUMENTS

- 627648 4/1936 Fed. Rep. of Germany 312/208
1913287 9/1970 Fed. Rep. of Germany 400/715
2409305B 4/1975 Fed. Rep. of Germany .

- 3402786A 8/1985 Fed. Rep. of Germany .
84/03573 9/1984 PCT Int'l Appl. 312/208
WO84/035-73A 9/1984 PCT Int'l Appl. .
86/01086 2/1986 PCT Int'l Appl. 312/208
WO87/033-93A 6/1987 PCT Int'l Appl. .
1409521A 10/1975 United Kingdom .
2166943A 5/1986 United Kingdom .

OTHER PUBLICATIONS

Global Computer Supplies Catalog, 6/1986, p. 14, "The PC Guardian".

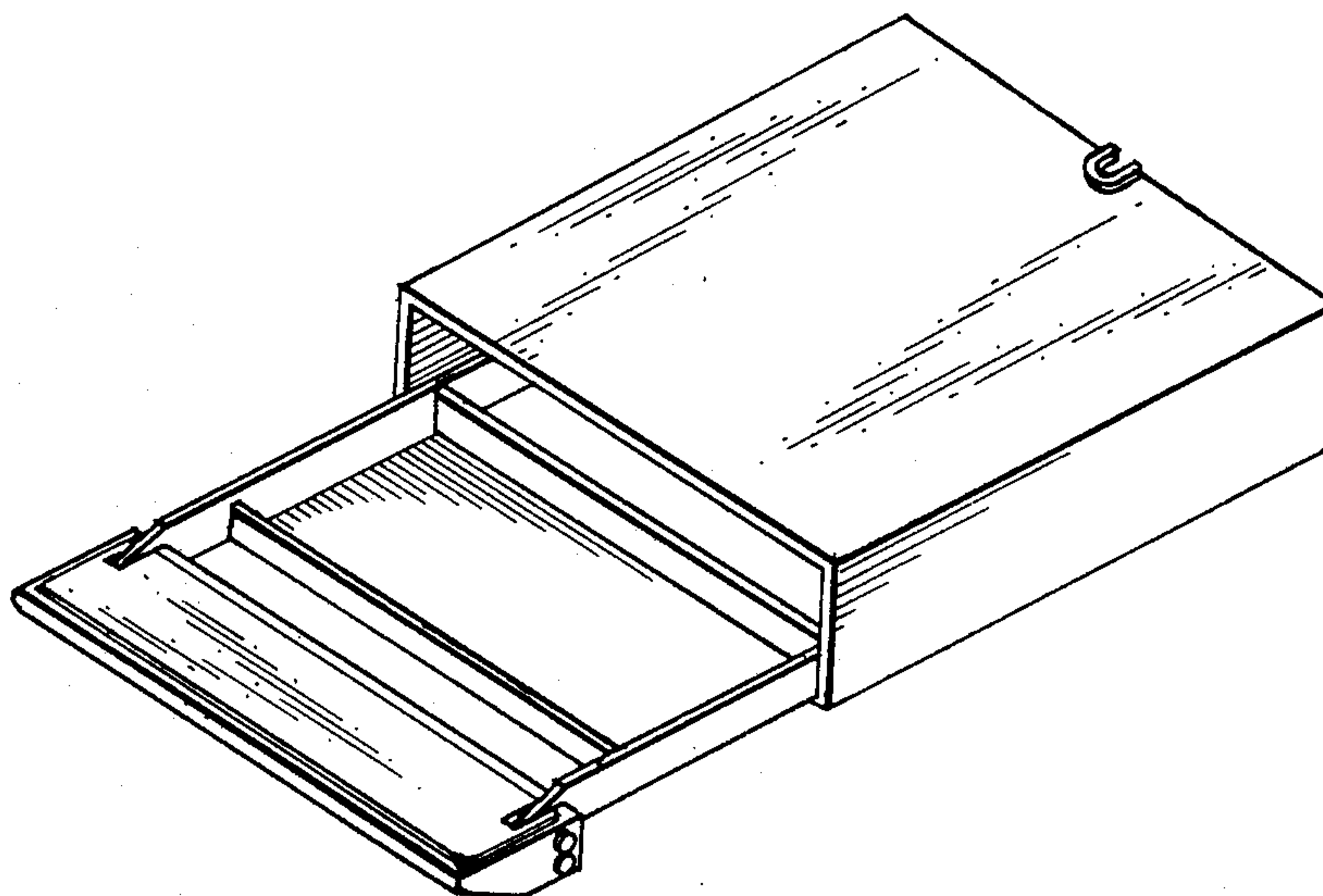
Primary Examiner—Susan J. Lucas
Assistant Examiner—Freda S. Nunn
Attorney, Agent, or Firm—Norman Rushefsky

[57] CLAIM

The ornamental design for a cabinet for computer keyboard, as shown and described.

DESCRIPTION

FIG. 1 is a front perspective view of a cabinet for a computer keyboard showing our new design; FIG. 2 is a front perspective view thereof showing a tray, forming part of the cabinet, in its extended forward position with a cabinet door folded down providing access for keying entries to a computer keyboard adapted to be supported on the tray; FIG. 3 is a front elevational view thereof; FIG. 4 is a left side elevational view thereof; FIG. 5 is a bottom plan view thereof; FIG. 6 is a right side elevational view thereof; and FIG. 7 is a rear elevational view thereof.



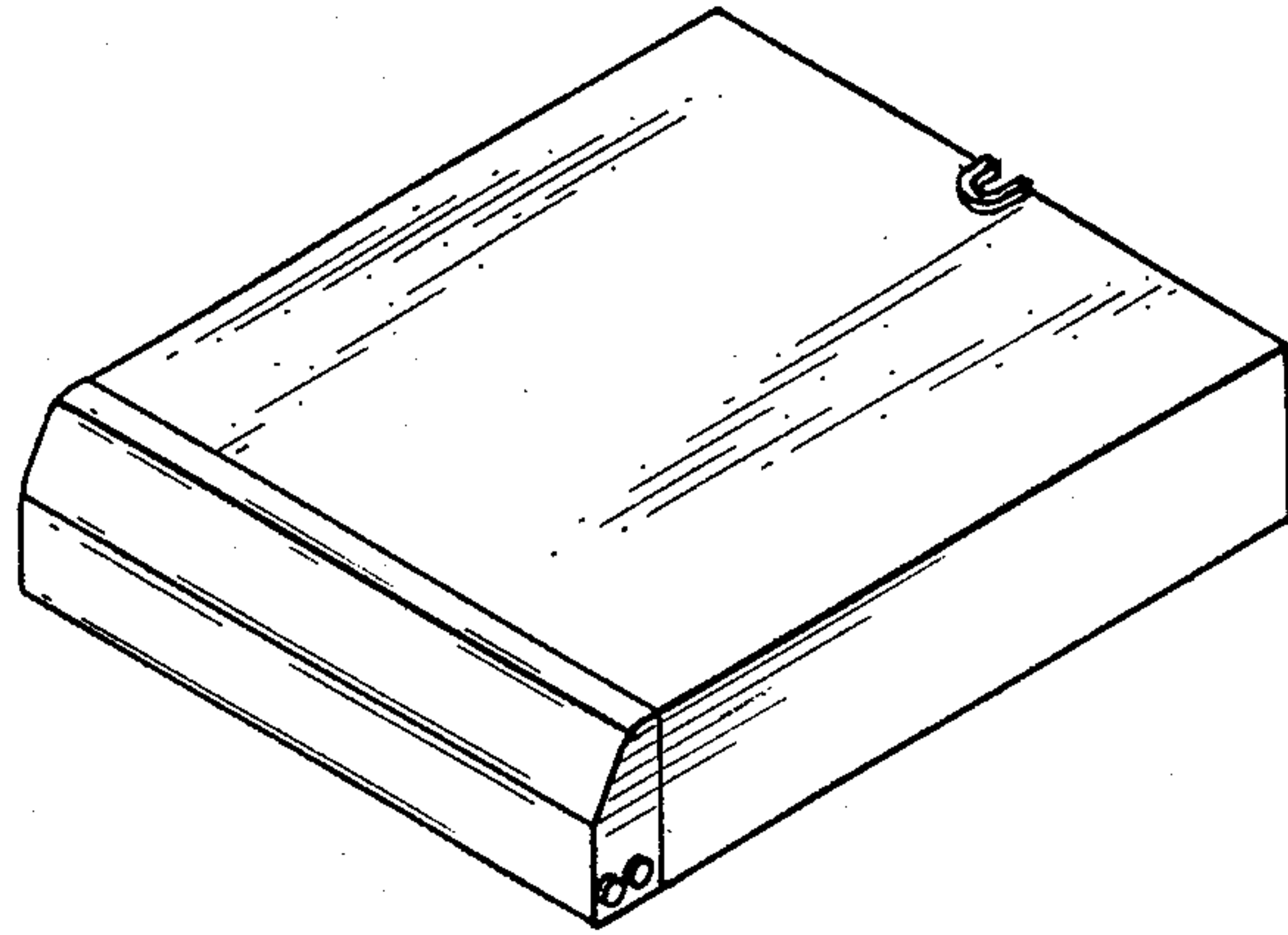


FIG. 1

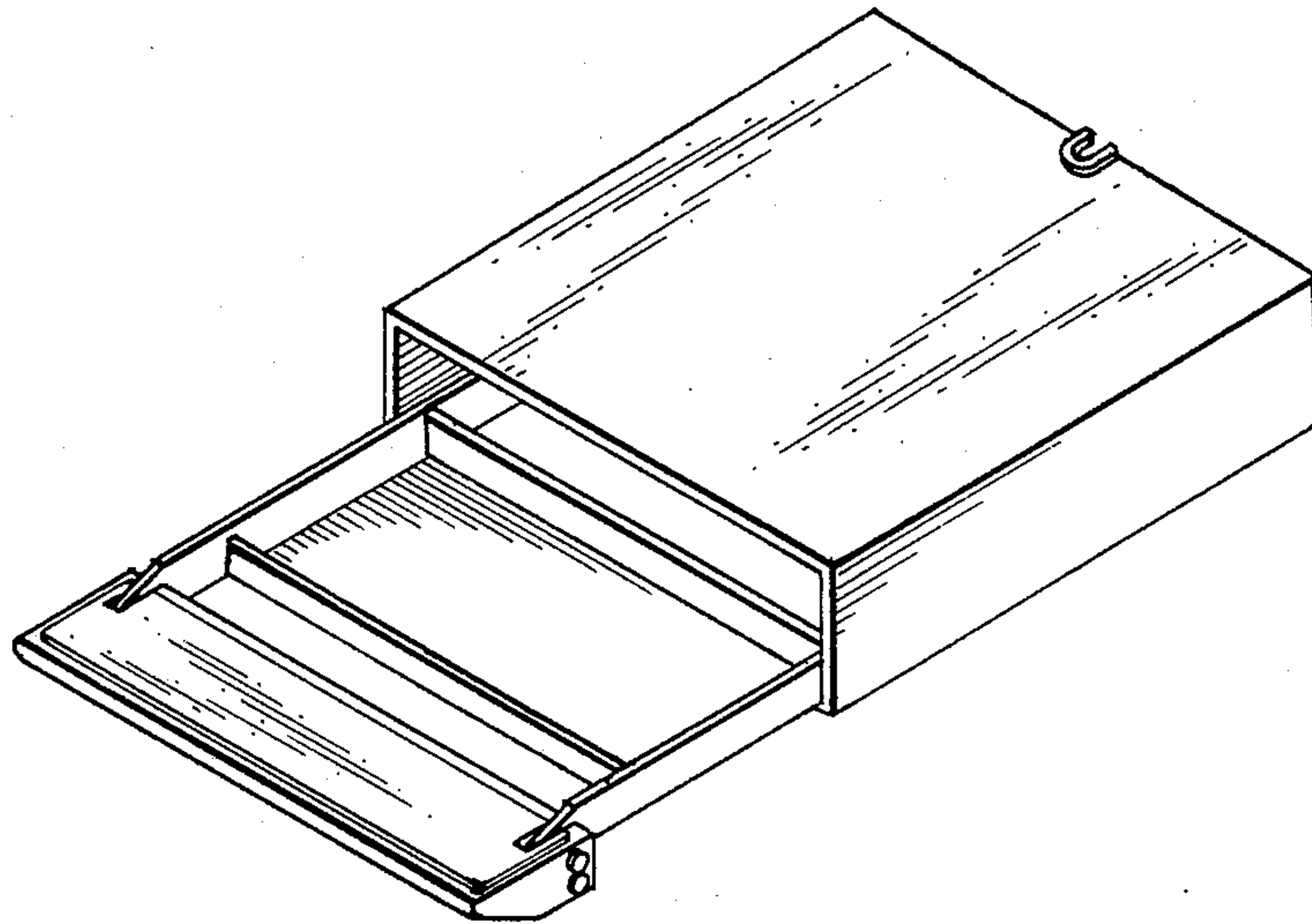


FIG. 2

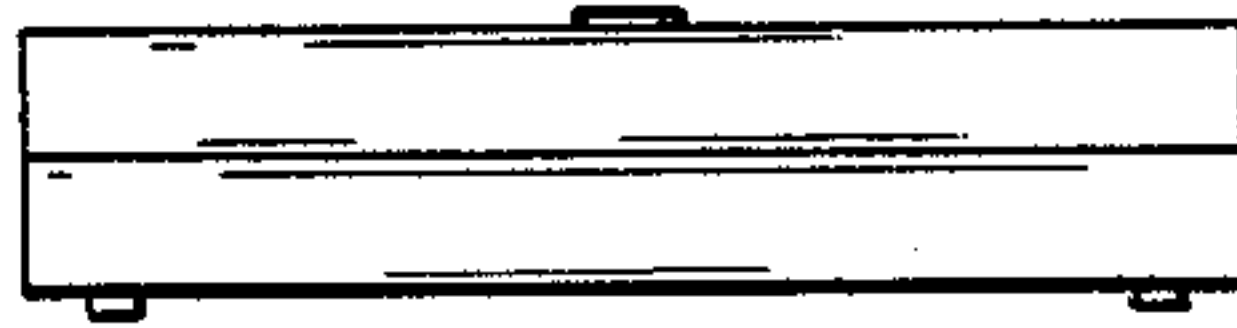


FIG. 3

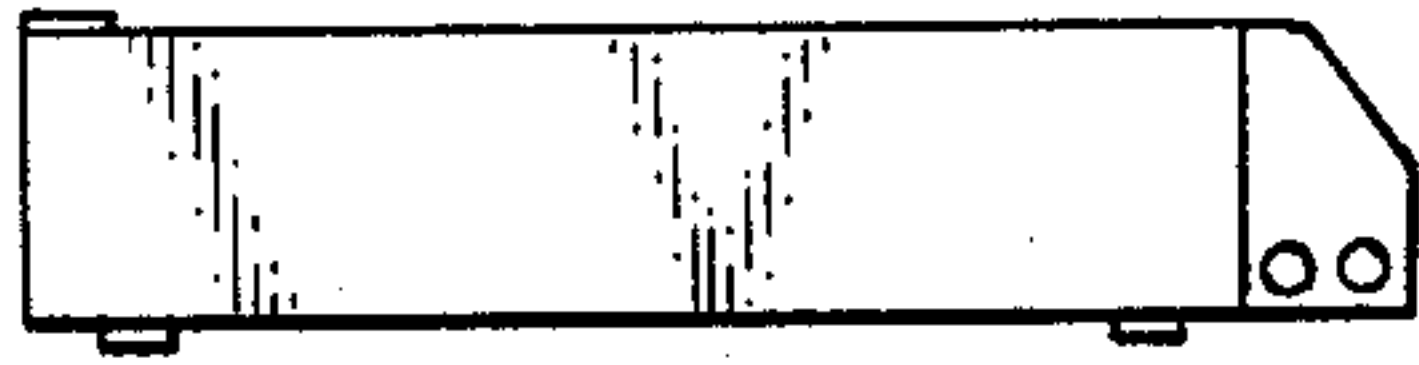


FIG. 4

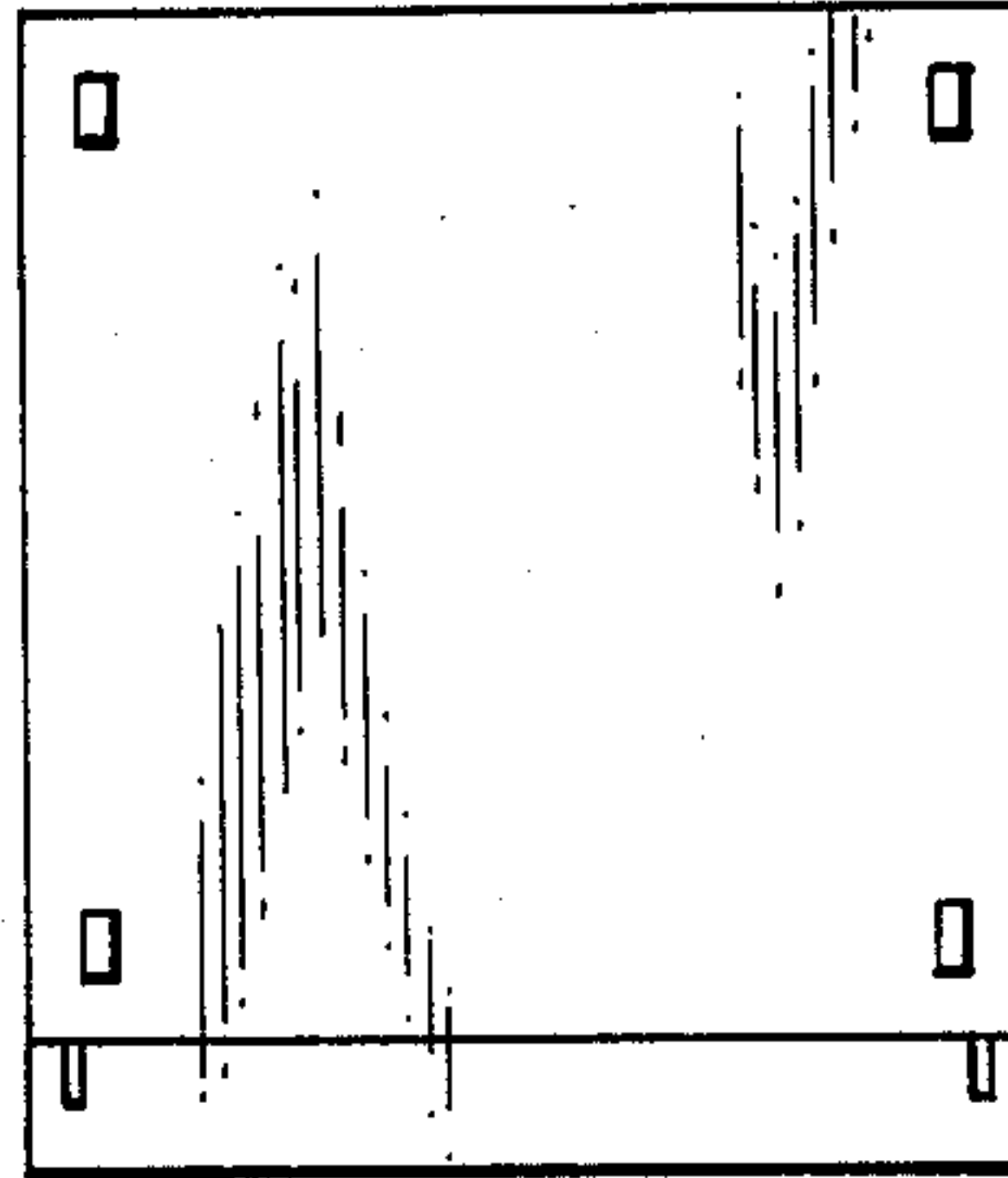


FIG. 5

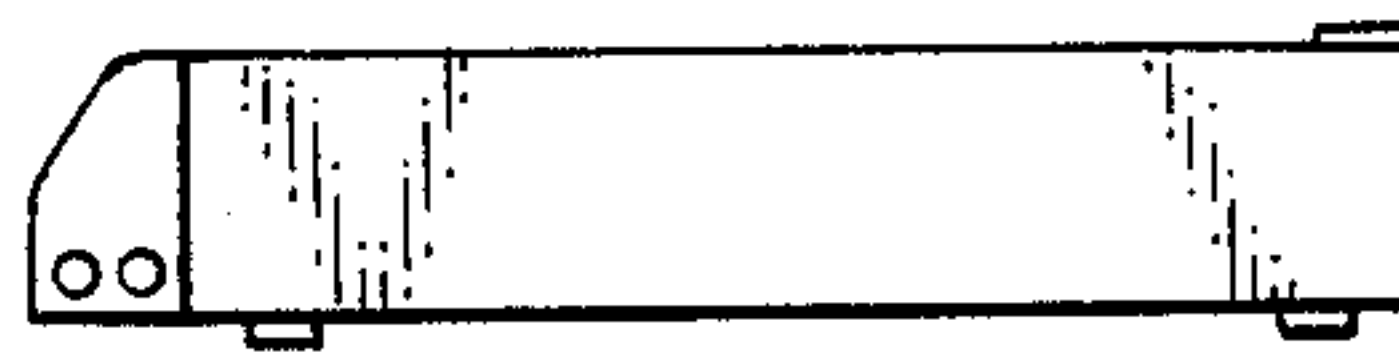


FIG. 6



FIG. 7