

- [54] POLLING STATION FOR ELECTRONIC TABULATION SYSTEM
- [75] Inventors: Mel Solon, 23777 Mulholland Hwy., #25, Calabasas, Calif. 91302; Everton A. Freitas, Camarillo, Calif.
- [73] Assignee: Mel Solon, Calabasas, Calif.
- [**] Term: 14 Years
- [21] Appl. No.: 862,447
- [22] Filed: May 8, 1986
- [52] U.S. Cl. D14/100; D13/32
- [58] Field of Search D14/100-115; 235/51, 50 R, 50 A, 50 B, 54 R, 54 E, 55 R, 55 E, 386; 364/409, 708, 189; D18/1; D13/32, 38, 41

3,947,669	3/1976	Simmons et al.	364/409
4,377,870	3/1983	Anderson et al.	235/386 X
4,641,240	2/1987	Boram	364/409

FOREIGN PATENT DOCUMENTS

193922	11/1919	Canada	235/51
0036953	3/1977	Japan	235/50 B

Primary Examiner—Susan J. Lucas
 Assistant Examiner—Freda S. Nunn
 Attorney, Agent, or Firm—Kelly, Bauersfeld & Lowry

[57] CLAIM

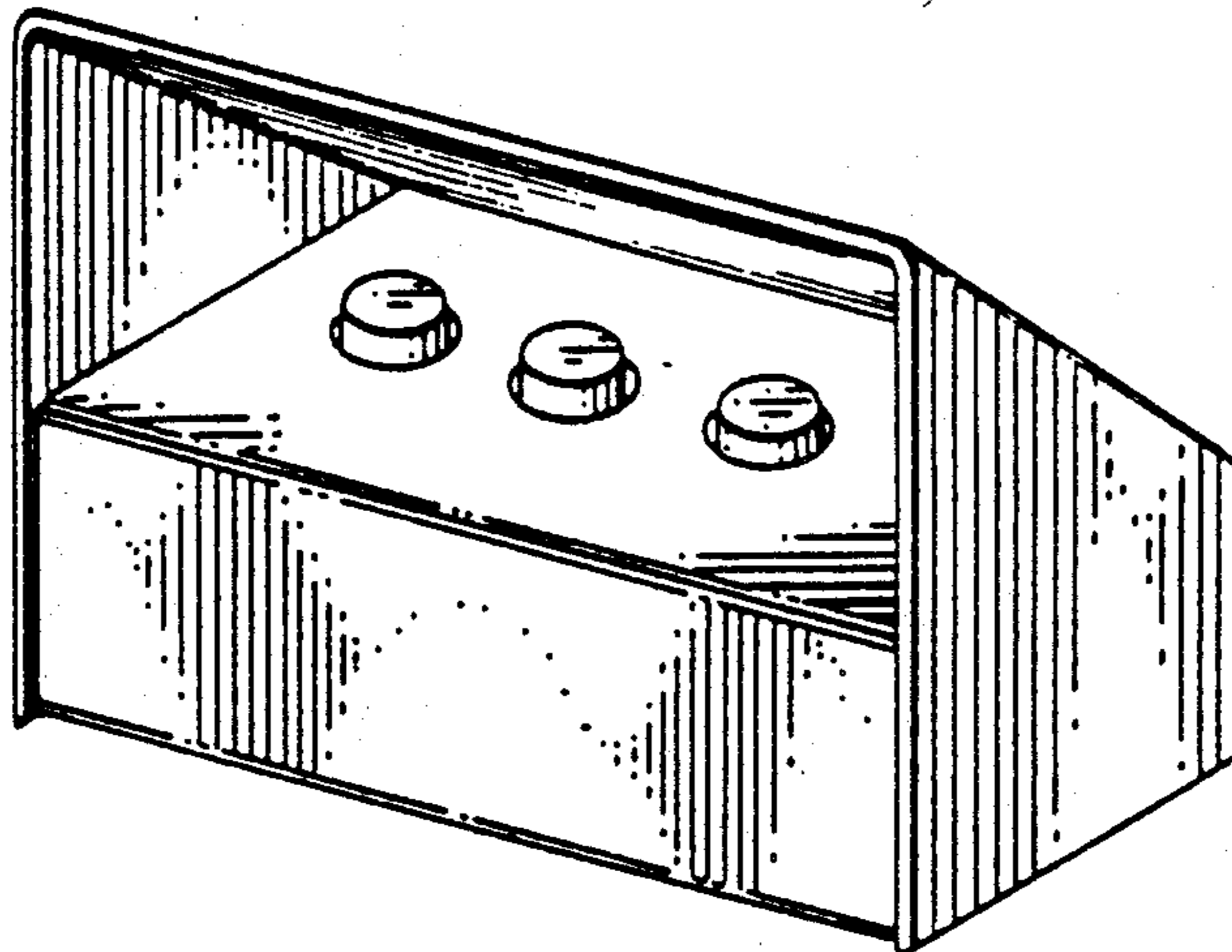
The ornamental design for a polling station for electronic tabulation system, as shown.

DESCRIPTION

FIG. 1 is a perspective view of a polling station for electronic tabulation system showing our new design; FIG. 2 is a front elevational view thereof; FIG. 3 is a rear elevational view thereof; FIG. 4 is a right side elevational view thereof; FIG. 5 is a left side elevational view thereof; FIG. 6 is a top plan view thereof; and FIG. 7 is a bottom plan view thereof.

[56] References Cited
 U.S. PATENT DOCUMENTS

197,833	12/1877	Deming	D18/1 X
2,186,049	1/1940	Thompson	235/51
3,178,107	4/1965	Fagan	235/50 R
3,750,943	8/1973	Darling et al.	235/50 R X



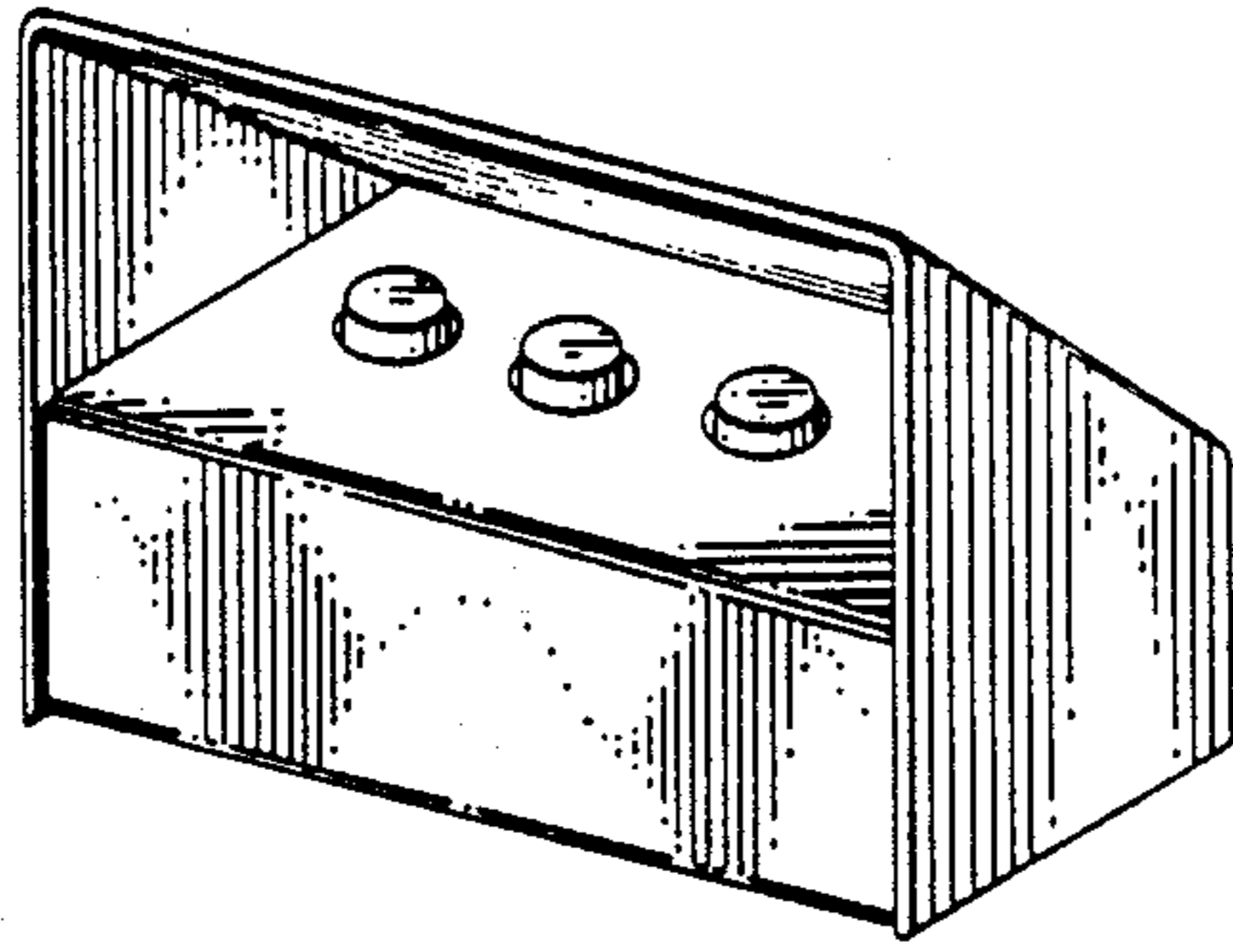


FIG. 1

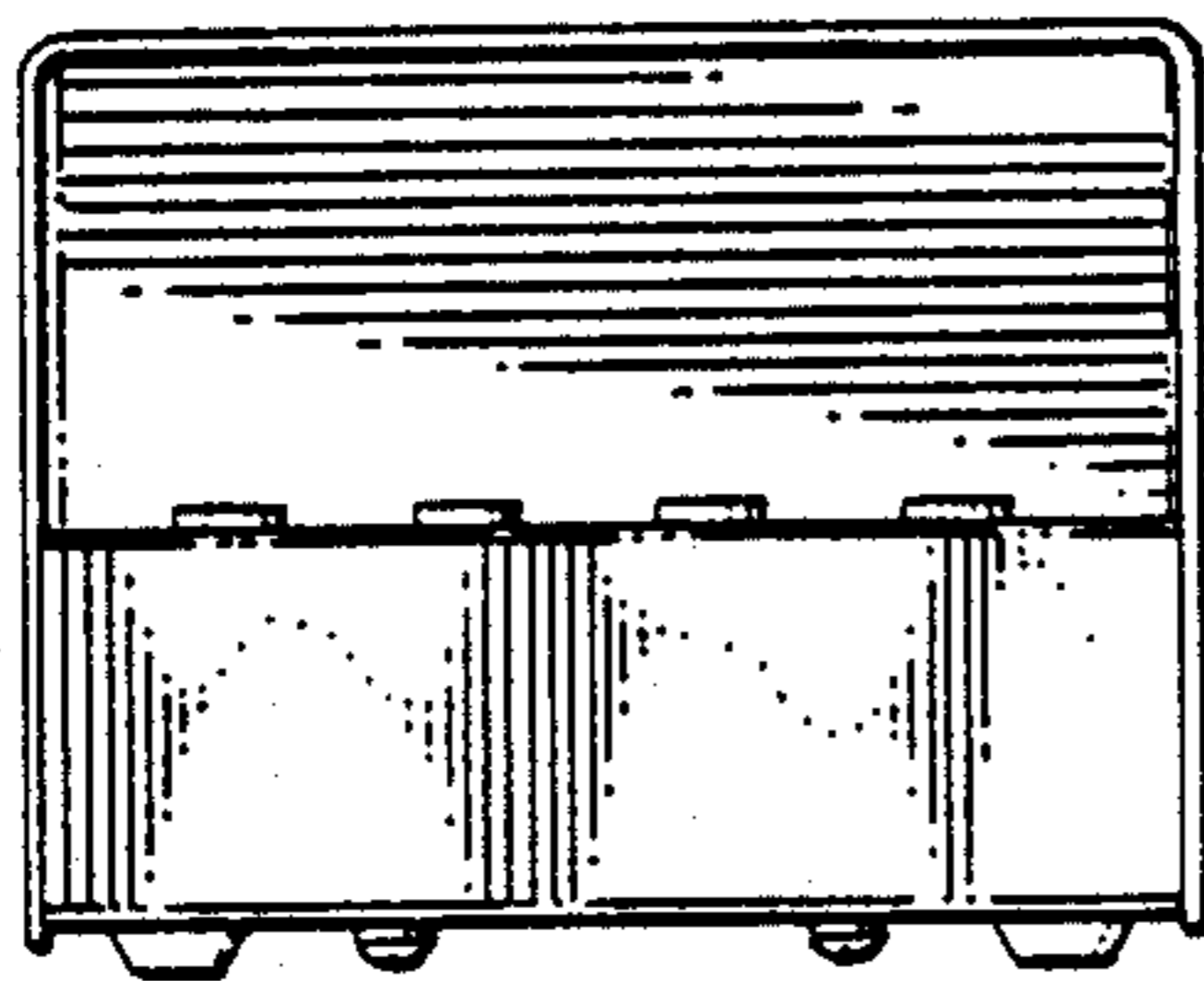


FIG. 2

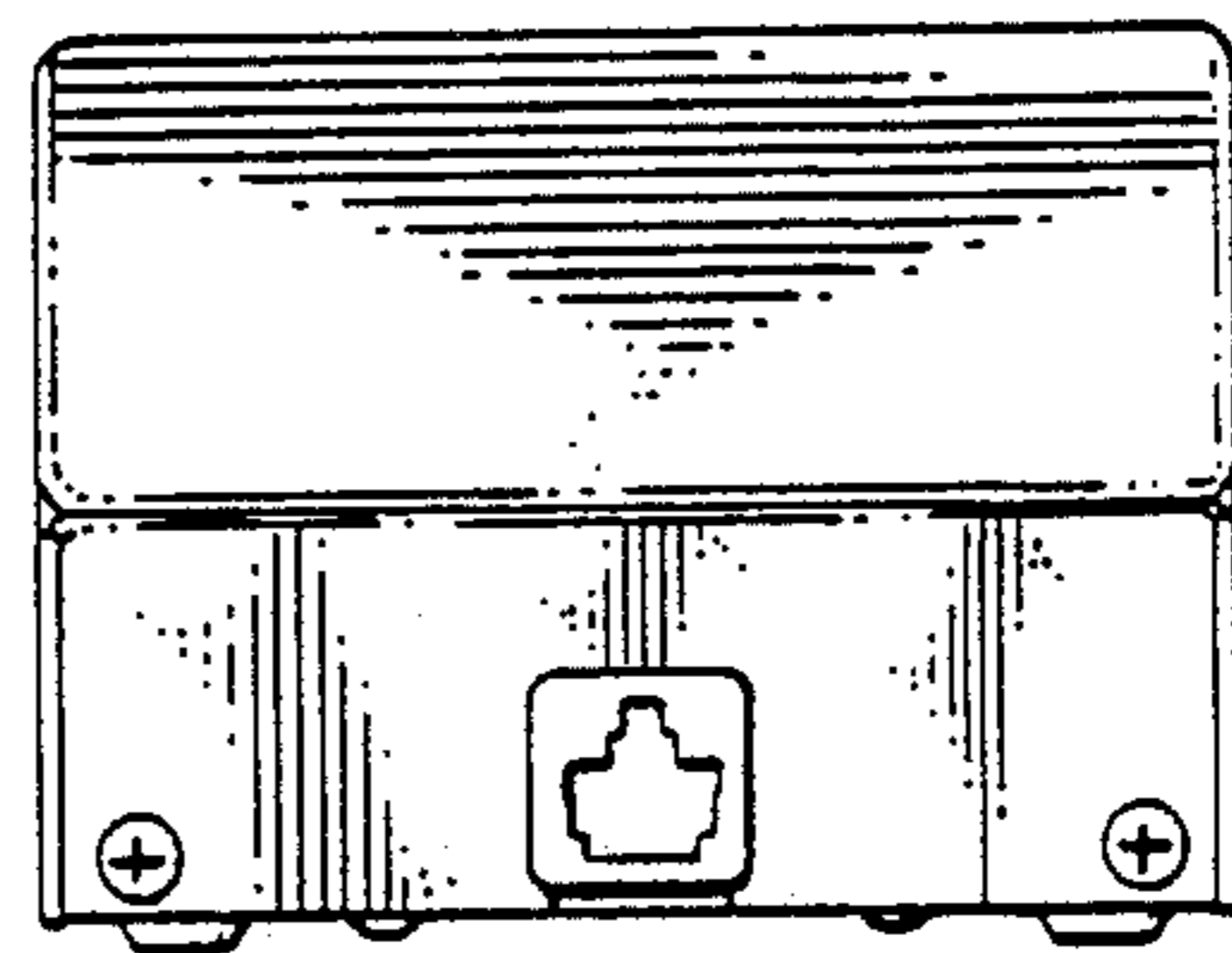


FIG. 3

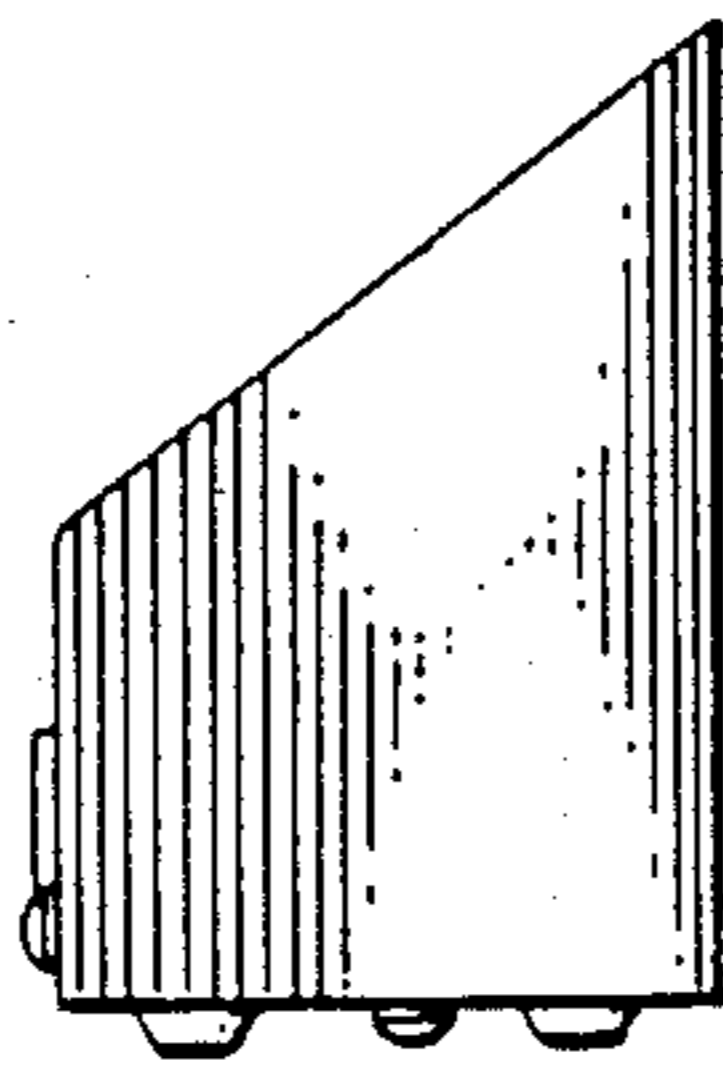


FIG. 4

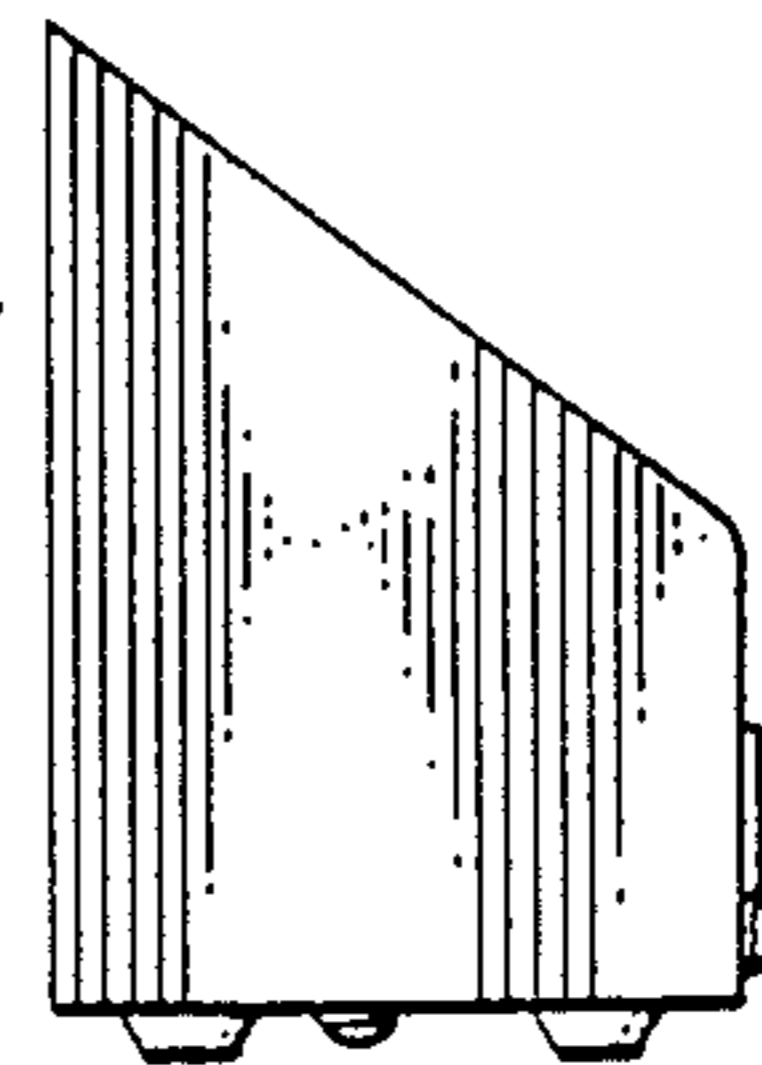


FIG. 5

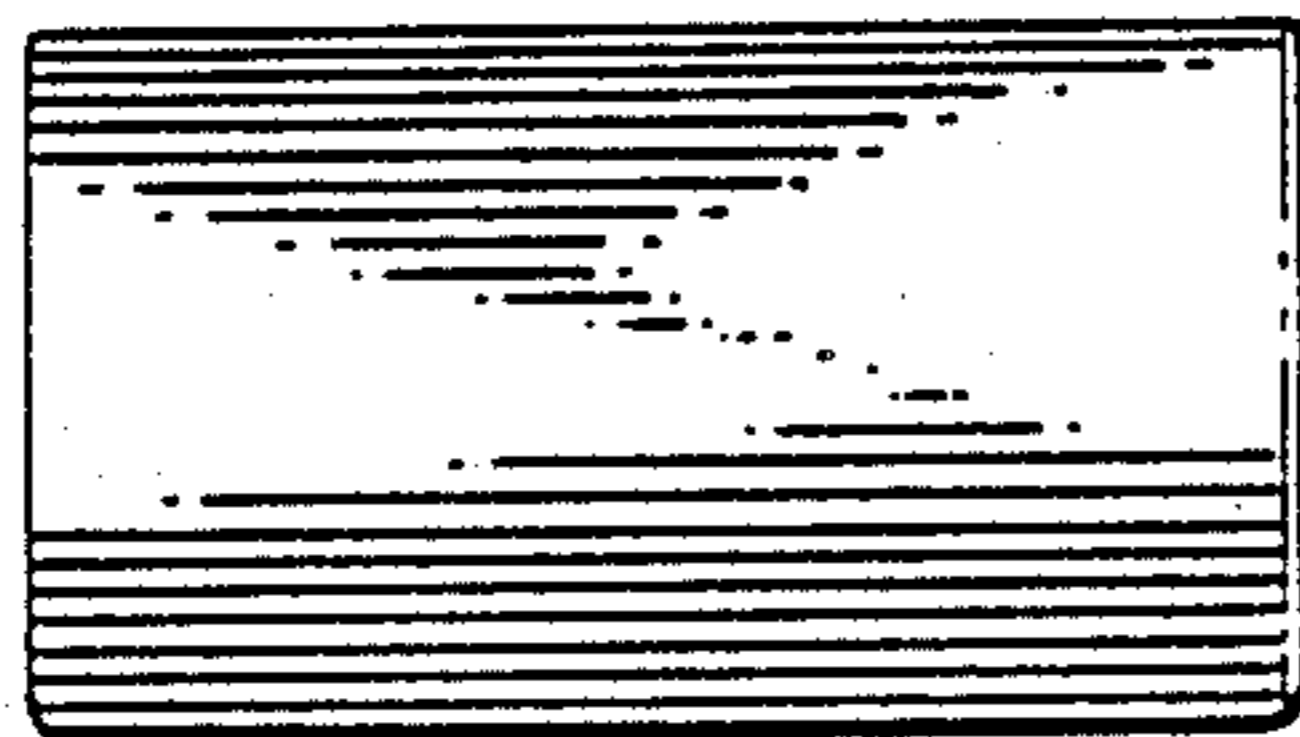


FIG. 6

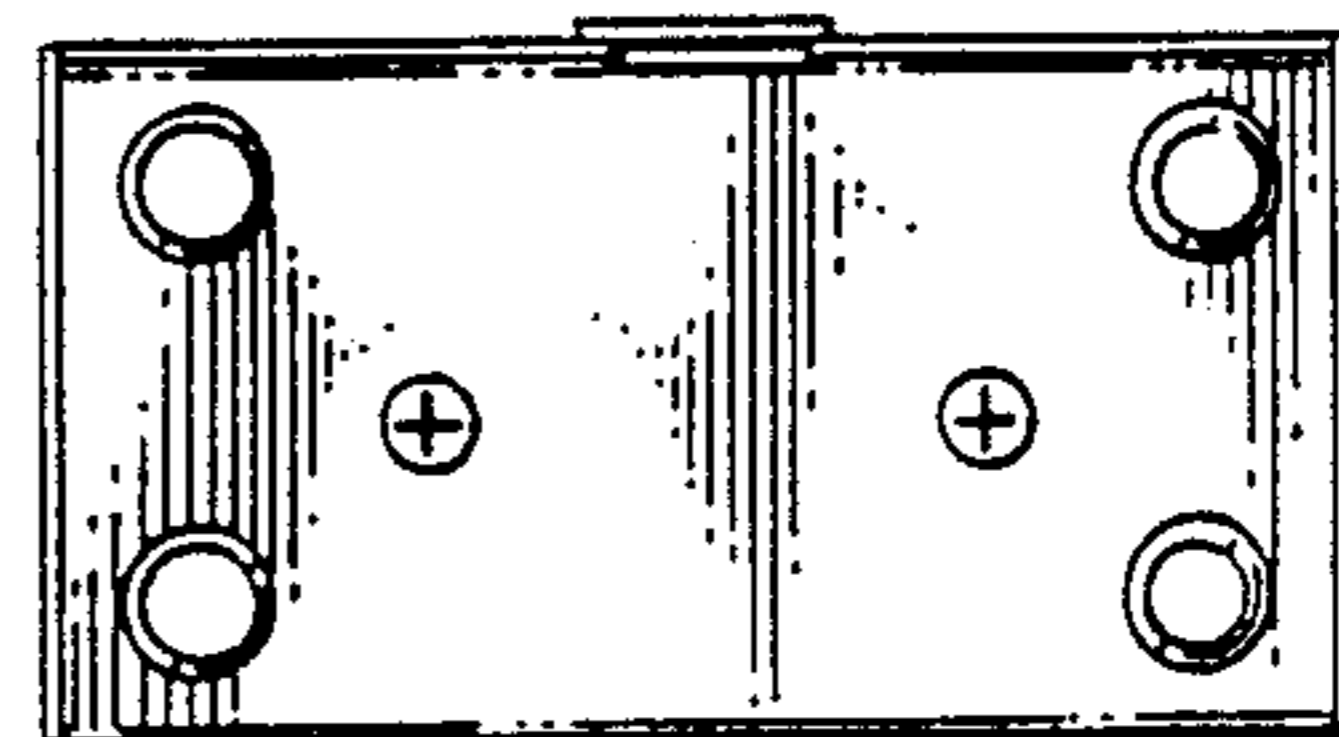


FIG. 7