

[54] CONNECTOR SOCKET

[75] Inventor: Norio Ichitsubo, Osaka, Japan

[73] Assignee: Hosiden Electronics Co., Ltd., Osaka, Japan

[**] Term: 14 Years

[21] Appl. No.: 893,275

[22] Filed: Aug. 5, 1986

[30] Foreign Application Priority Data

Feb. 6, 1986 [JP] Japan 61-4018

Apr. 8, 1986 [JP] Japan 61-12755

[52] U.S. Cl. D13/24; D13/30

[58] Field of Search D13/11, 12, 18-31, D13/40; 439/60, 63, 92, 404, 925, 135, 136, 138, 578, 264, 259, 502

[56] References Cited

U.S. PATENT DOCUMENTS

D. 287,239 12/1986 Komatsu D13/24

4,431,253 2/1984 Hochgesang et al. 439/63

OTHER PUBLICATIONS

Electrical Equipment, Feb. 1957, p. 25, jack in top left circle.

Primary Examiner—Bruce W. Dunkins
Assistant Examiner—Clare E. Heflin
Attorney, Agent, or Firm—Pollock, Vande Sande and Priddy

[57] CLAIM

The ornamental design for an electrical connector socket, as shown and described.

DESCRIPTION

FIG. 1 is a perspective view of an electrical connector socket showing a first embodiment of my new design; FIG. 2 is a front elevational view thereof; FIG. 3 is a side elevational view thereof; FIG. 4 is an opposite side elevational view thereof; FIG. 5 is a top plan view thereof; FIG. 6 is a bottom plan view thereof; FIG. 7 is a rear elevational view thereof; FIG. 8 is a perspective view of an electrical connector socket showing a second embodiment of my new design; FIG. 9 is a front elevational view thereof; FIG. 10 is a side elevational view thereof; FIG. 11 is an opposite side elevational view thereof; FIG. 12 is a top plan view thereof; FIG. 13 is a bottom plan view thereof; and FIG. 14 is a rear elevational view thereof.

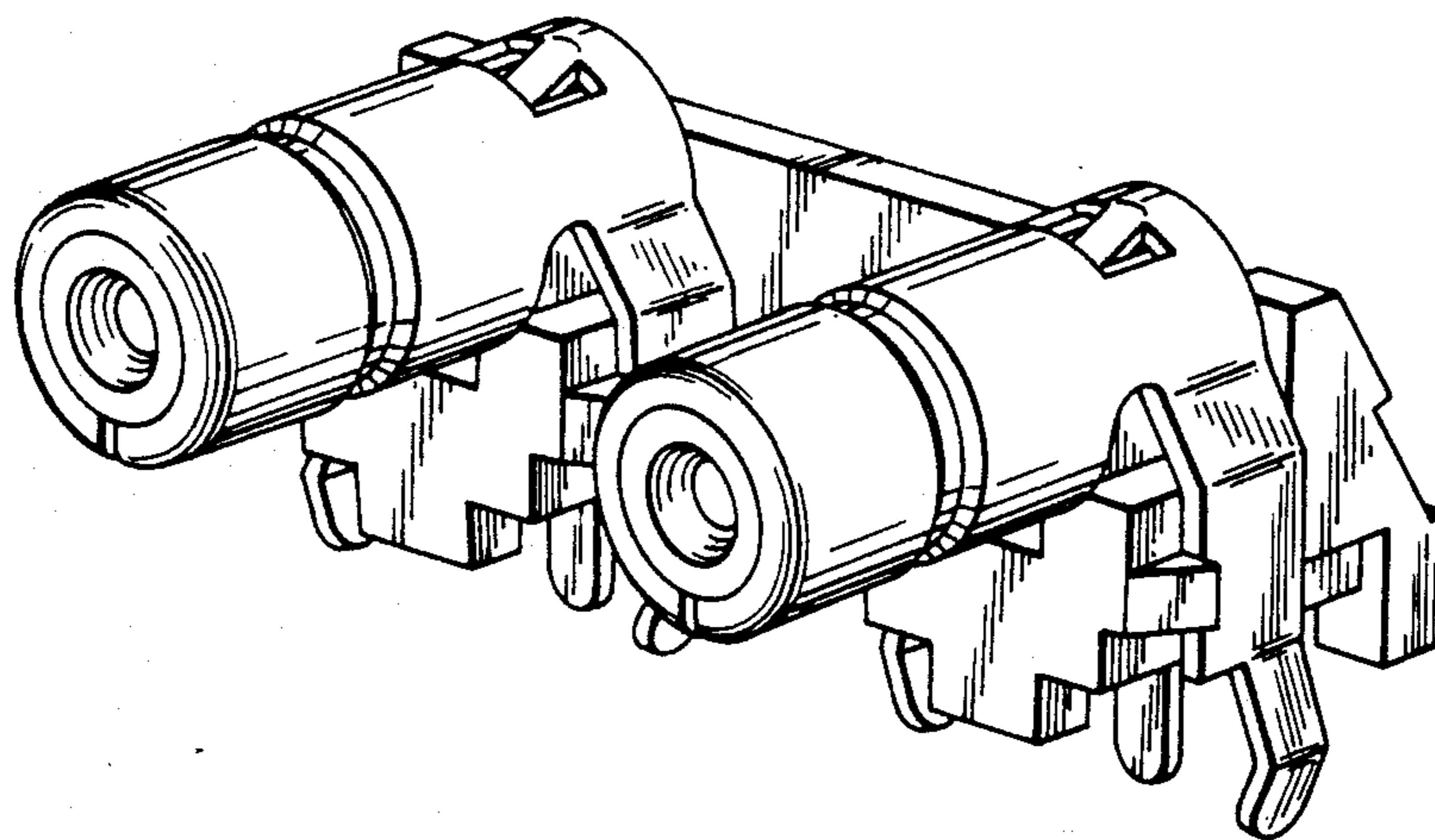


FIG. 1

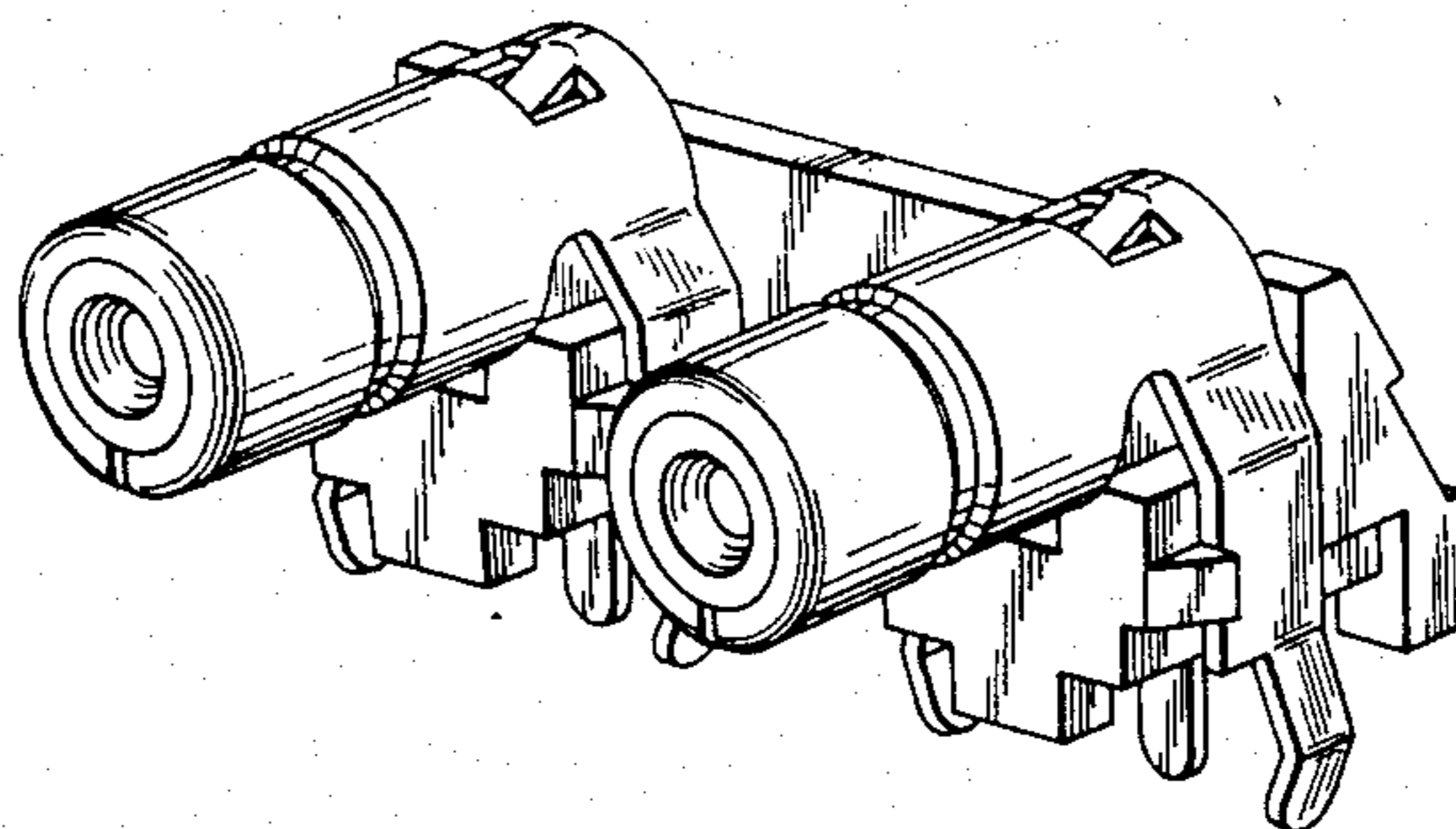


FIG. 2

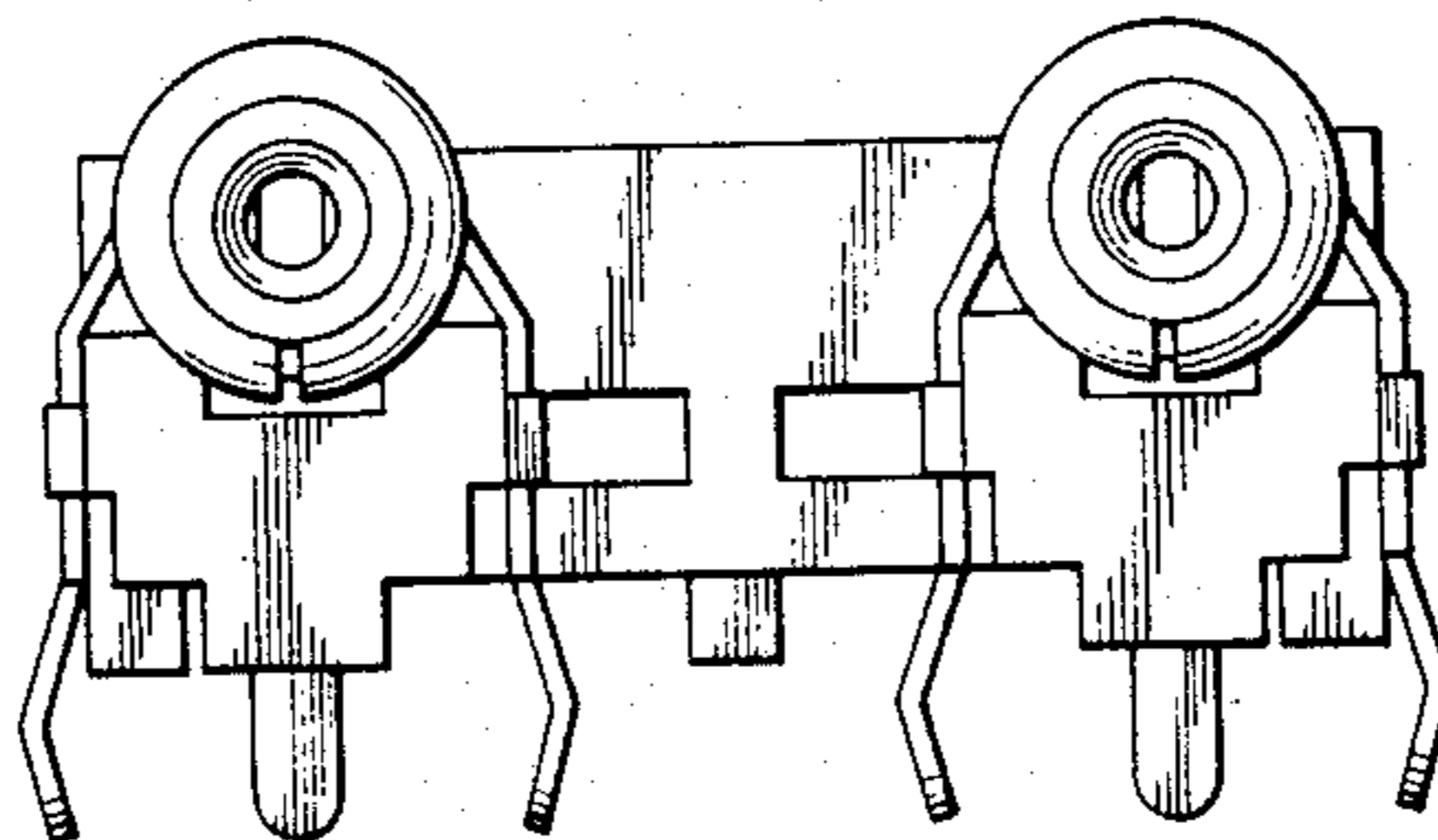


FIG. 3

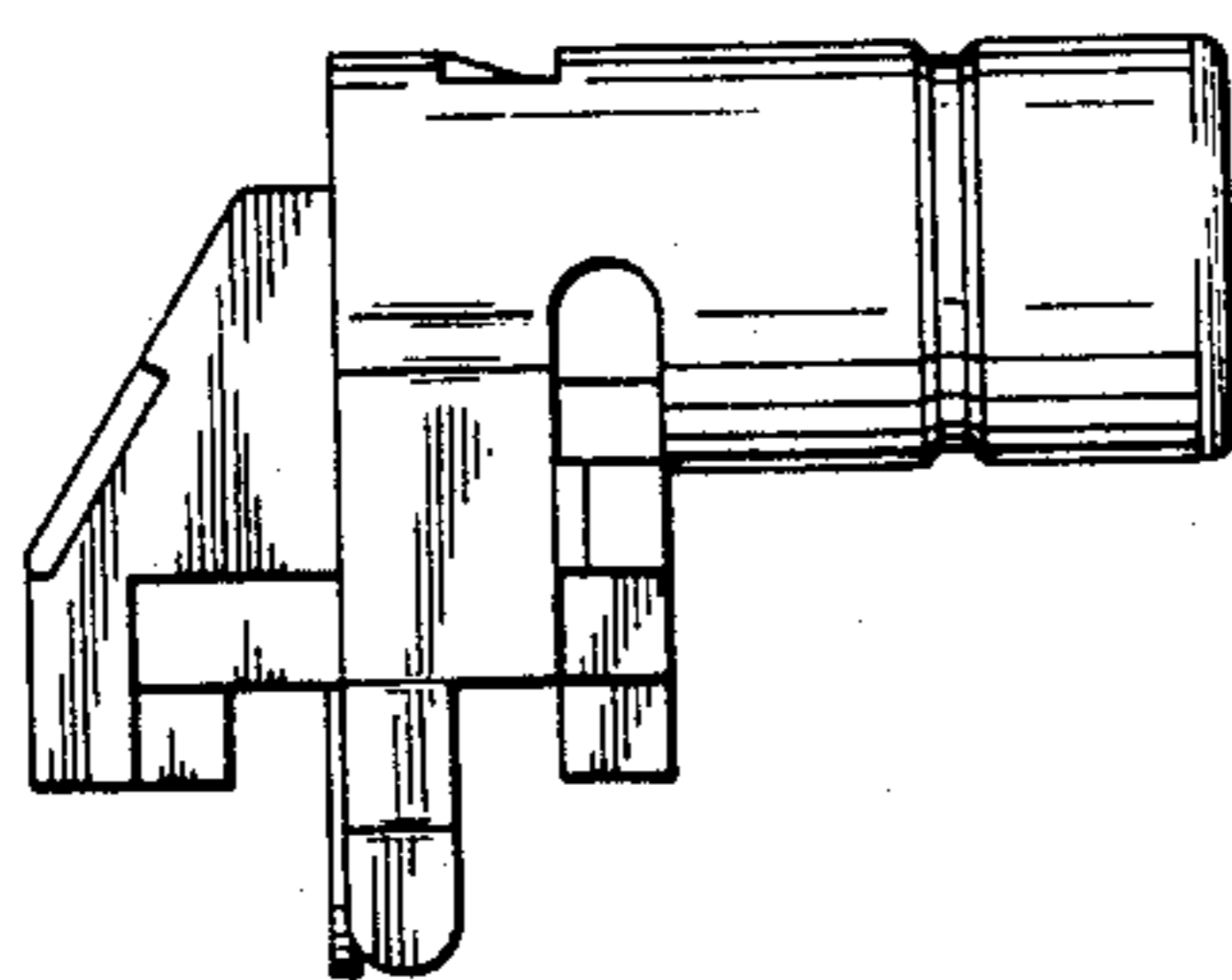


FIG. 4

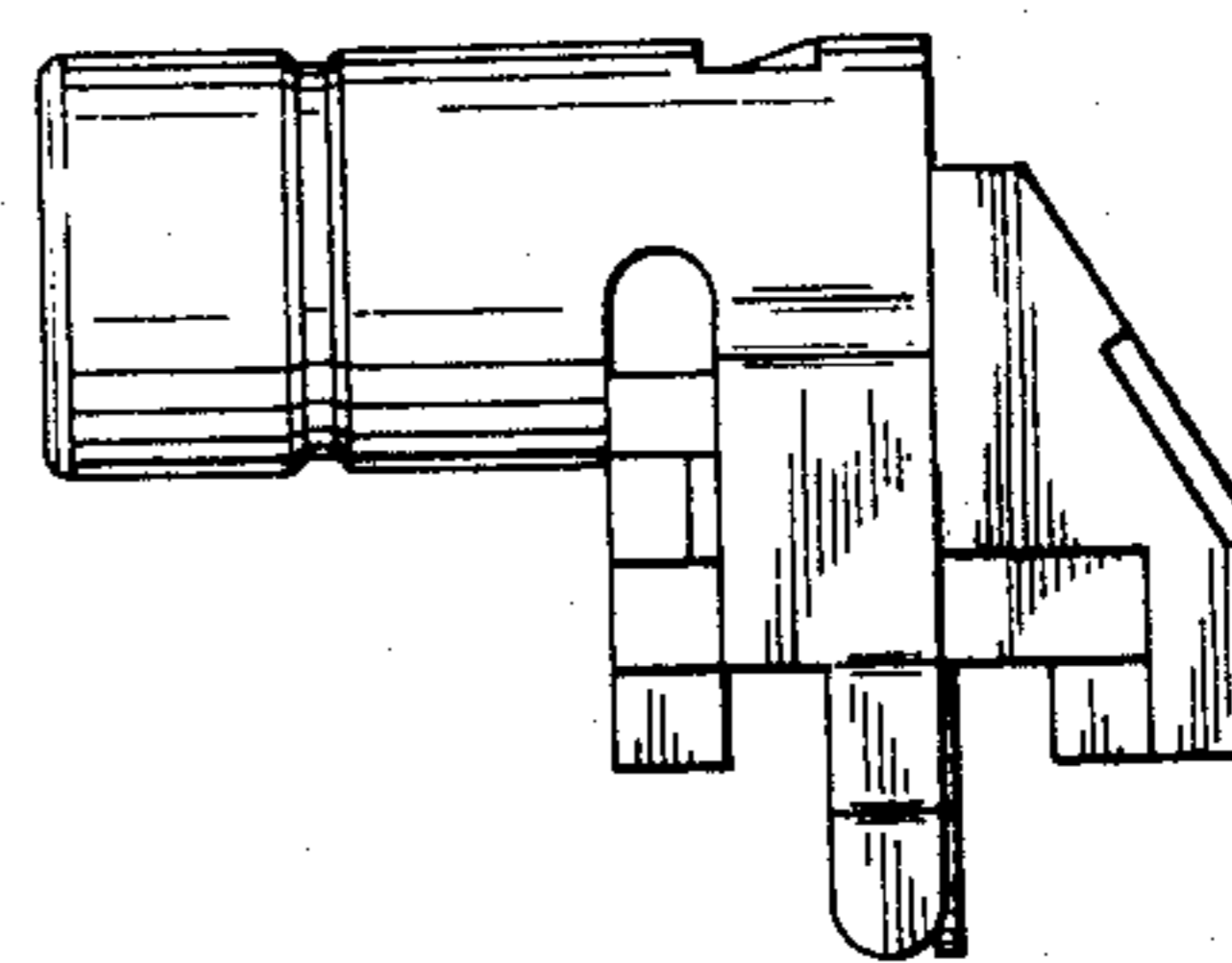


FIG. 5

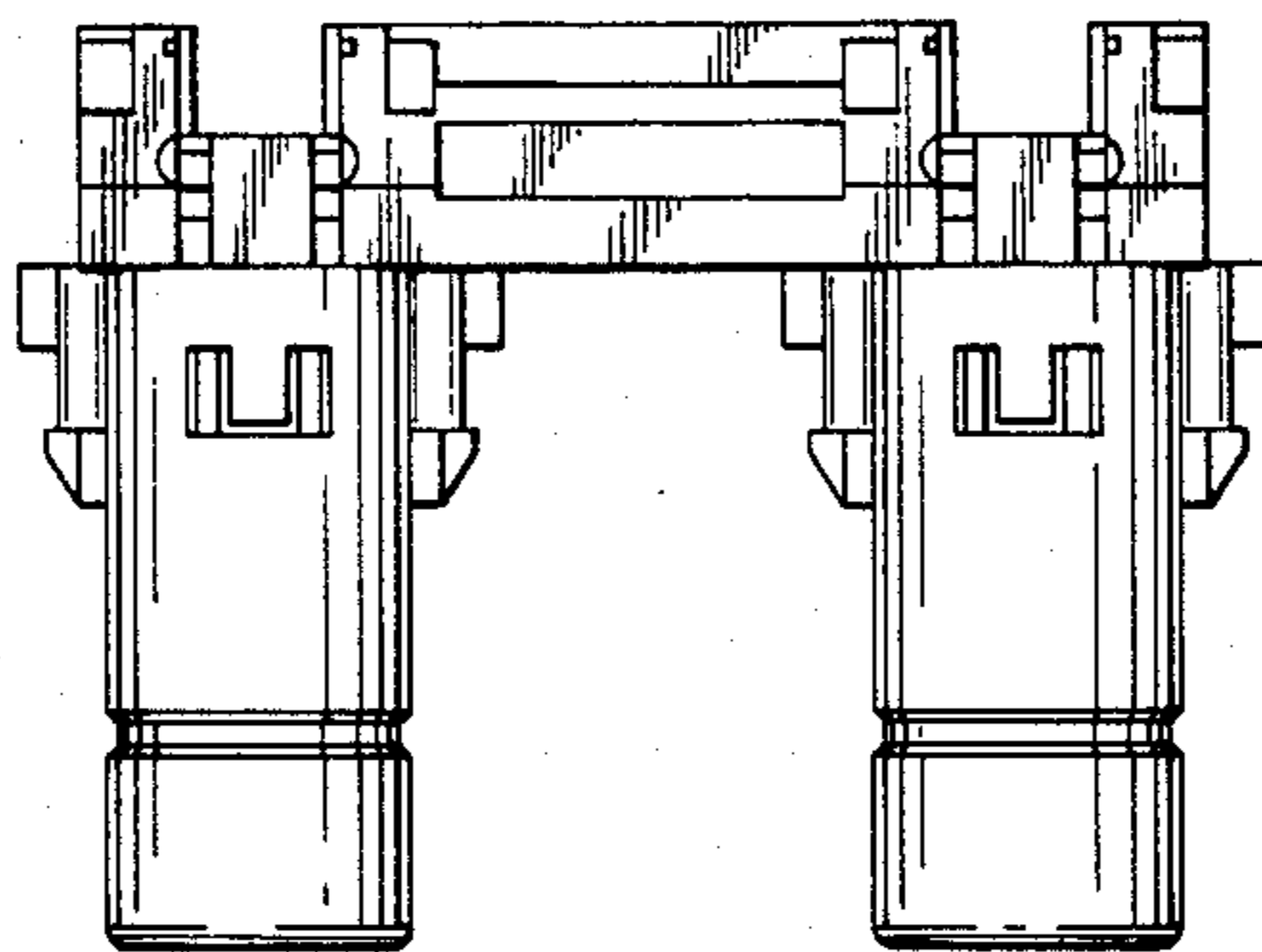


FIG. 6

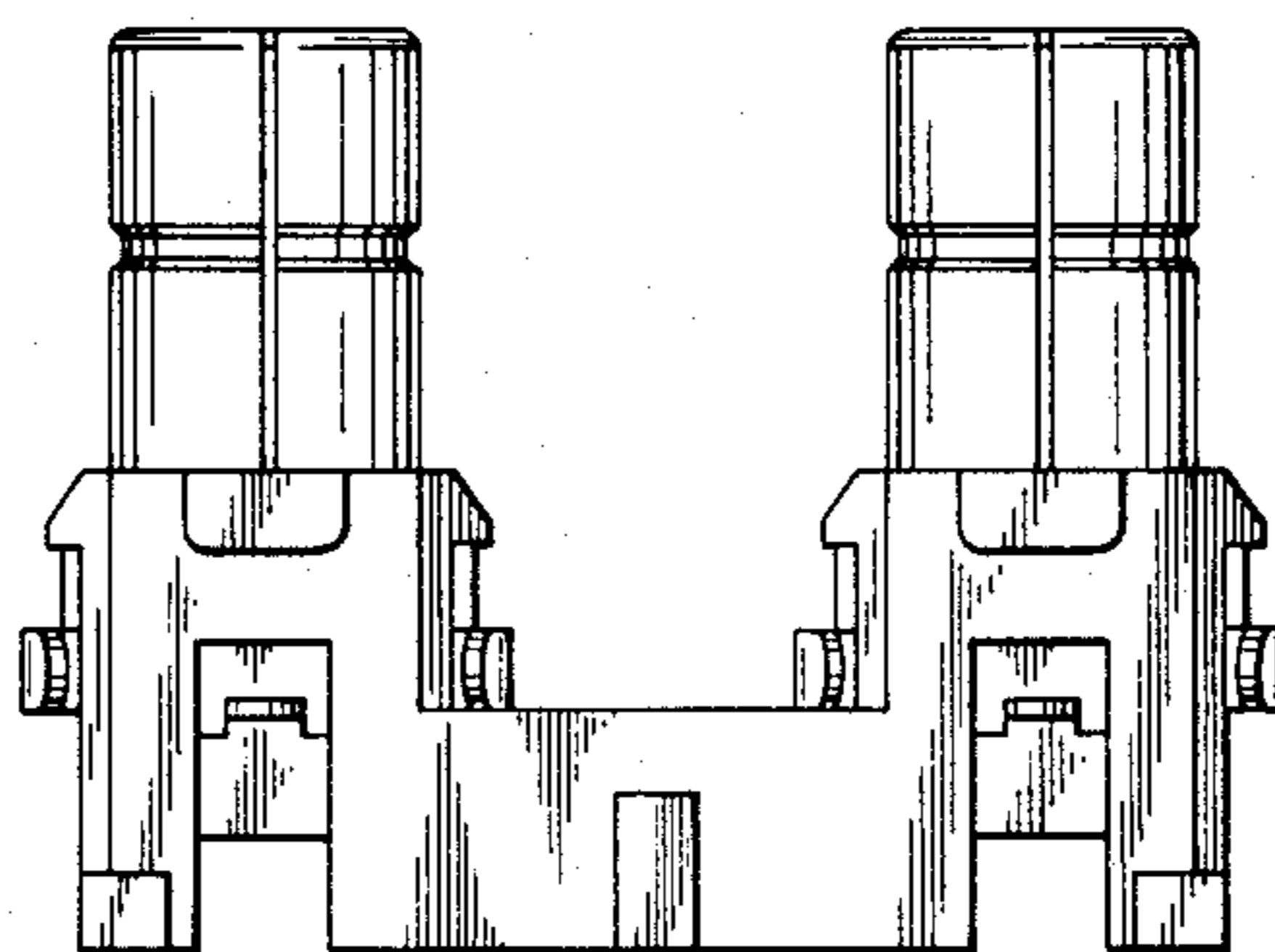


FIG. 7

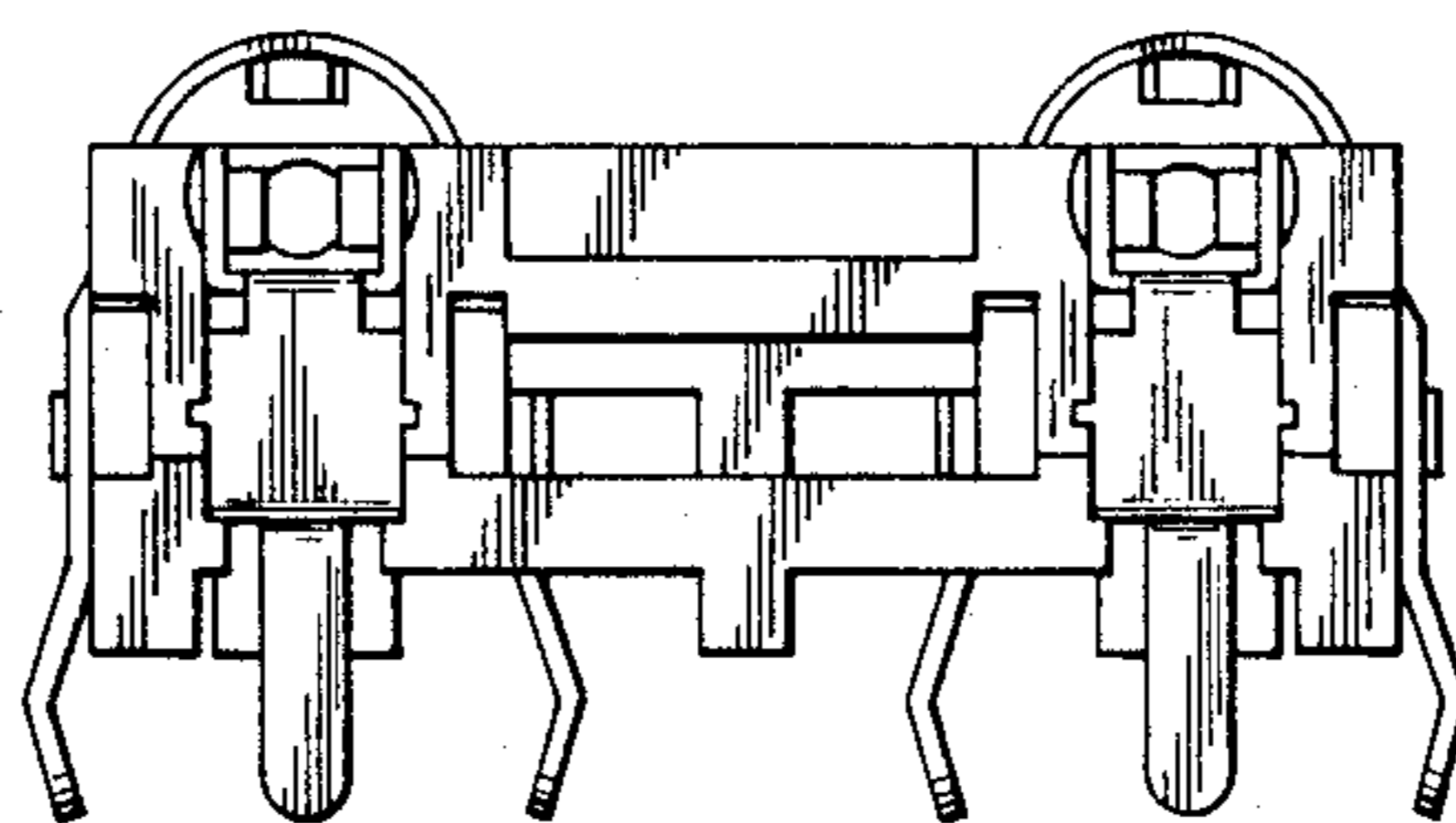


FIG. 8

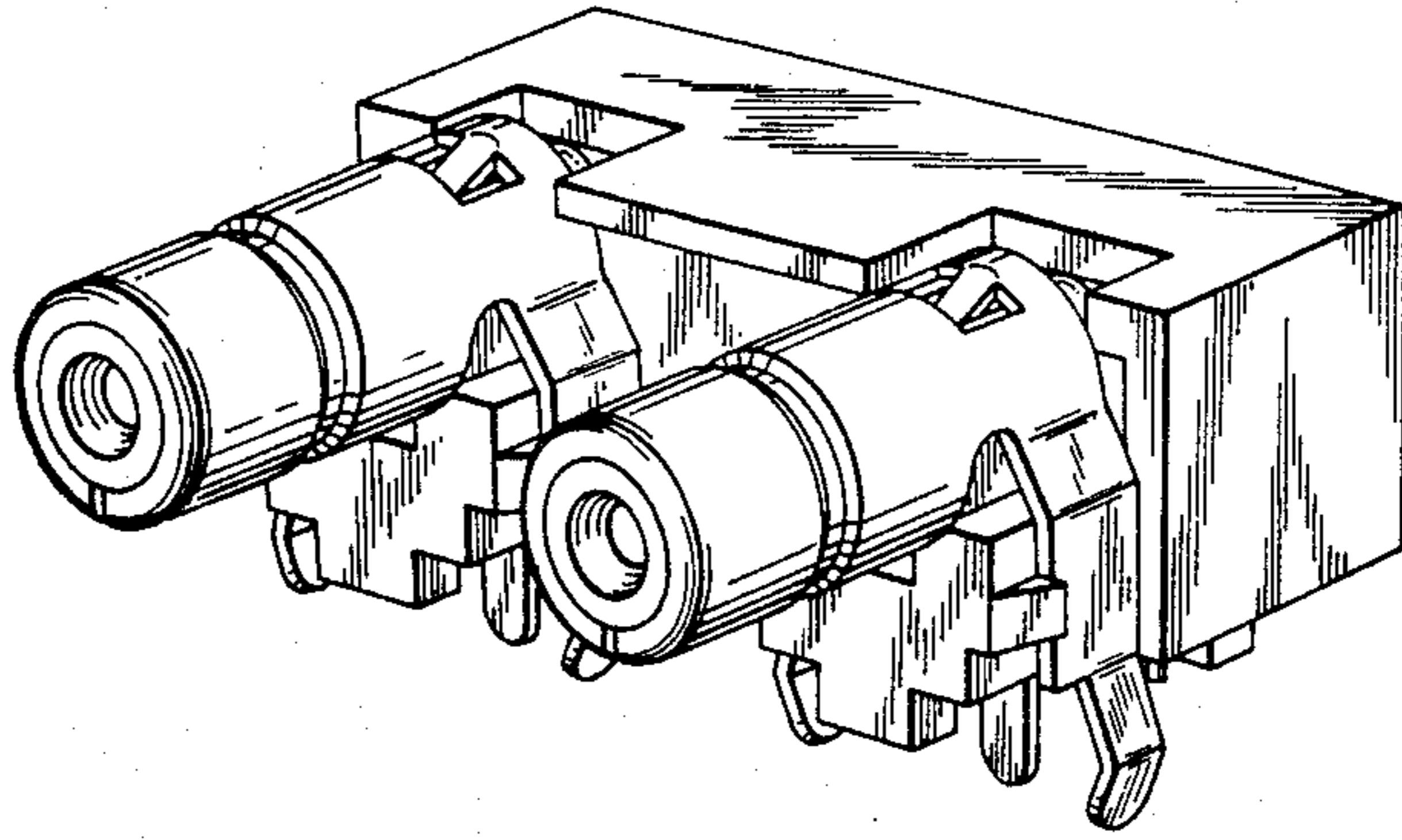


FIG. 9

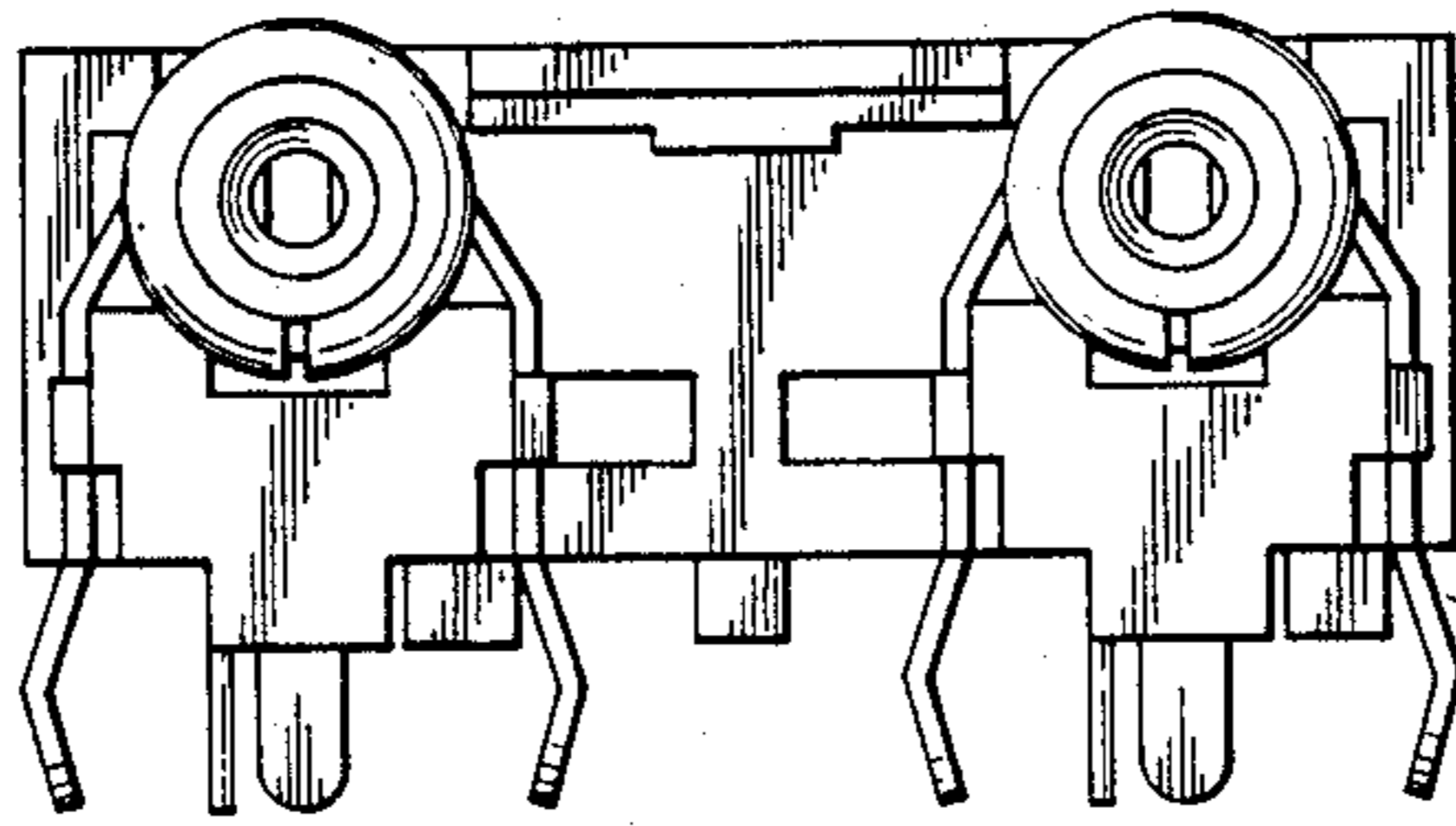


FIG. 10

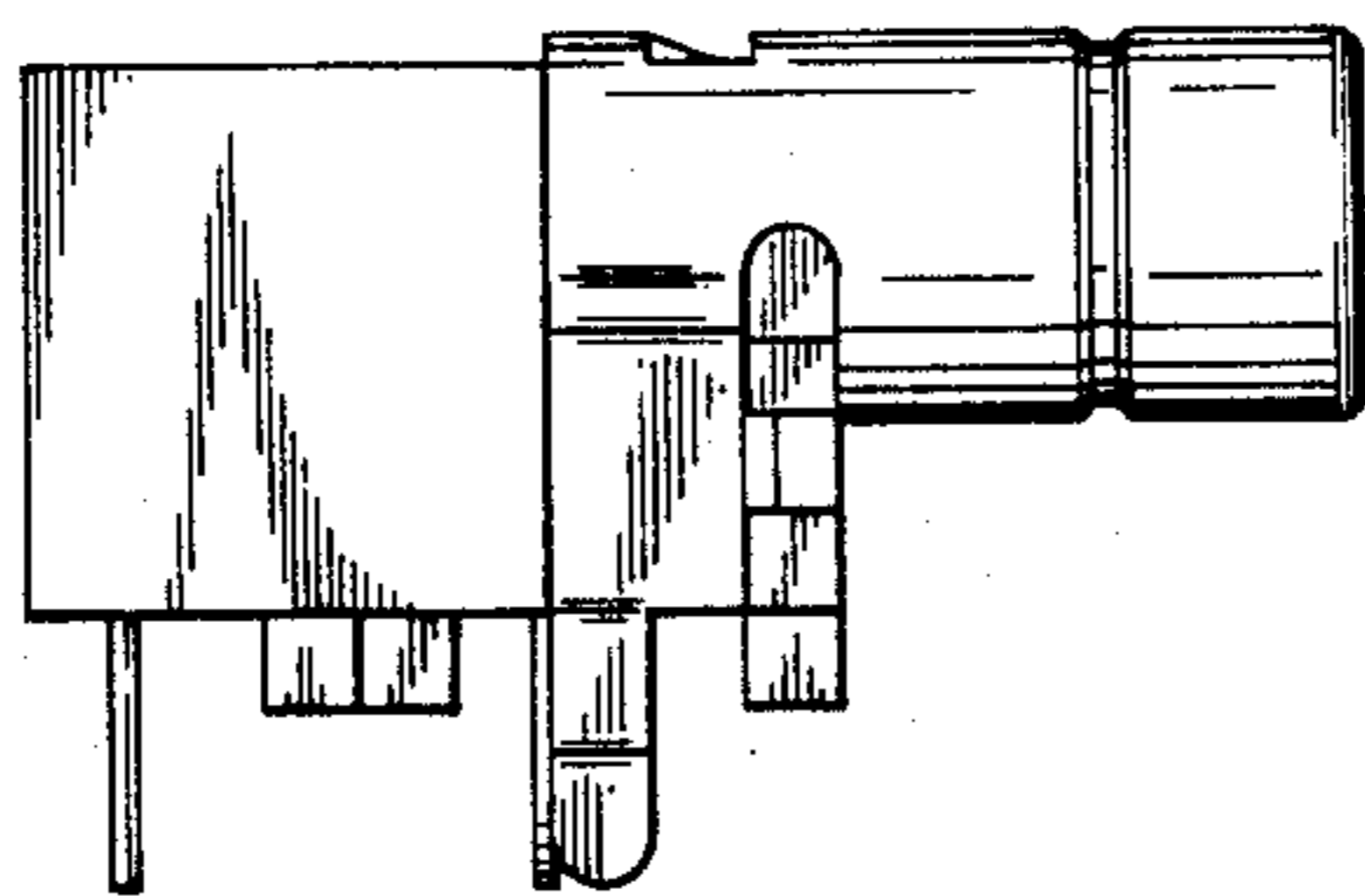


FIG. 11

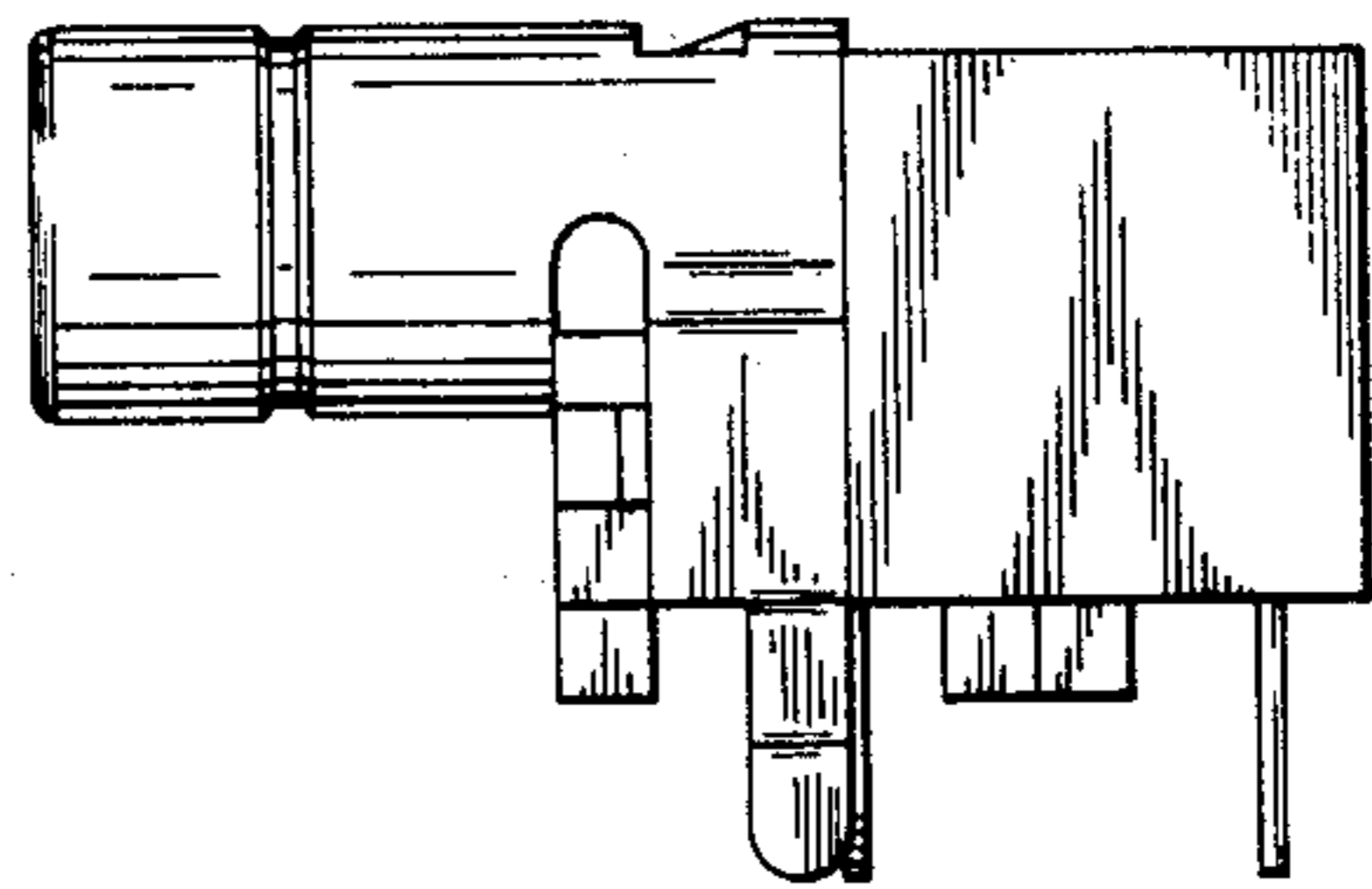


FIG. 12

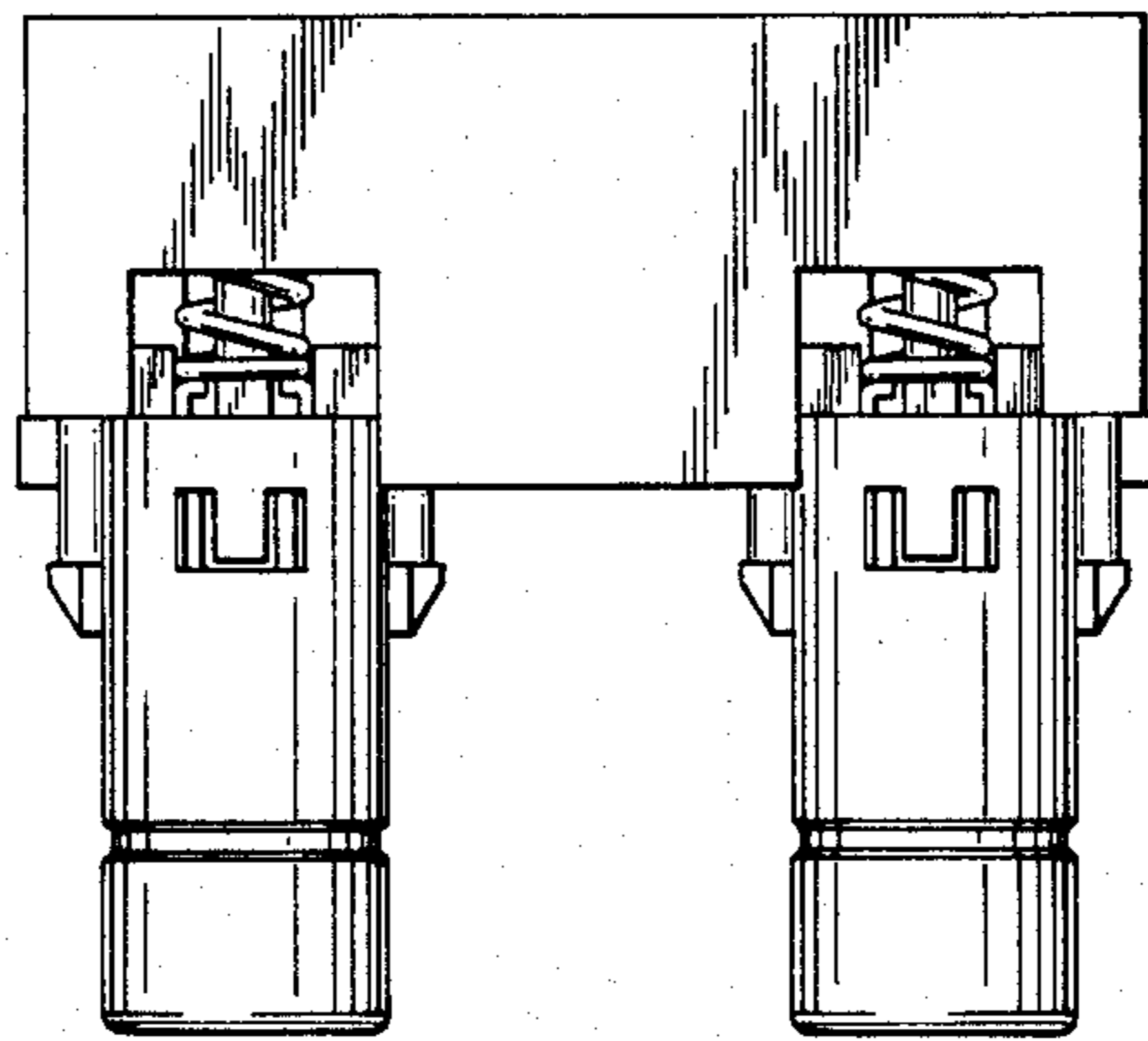


FIG. 13

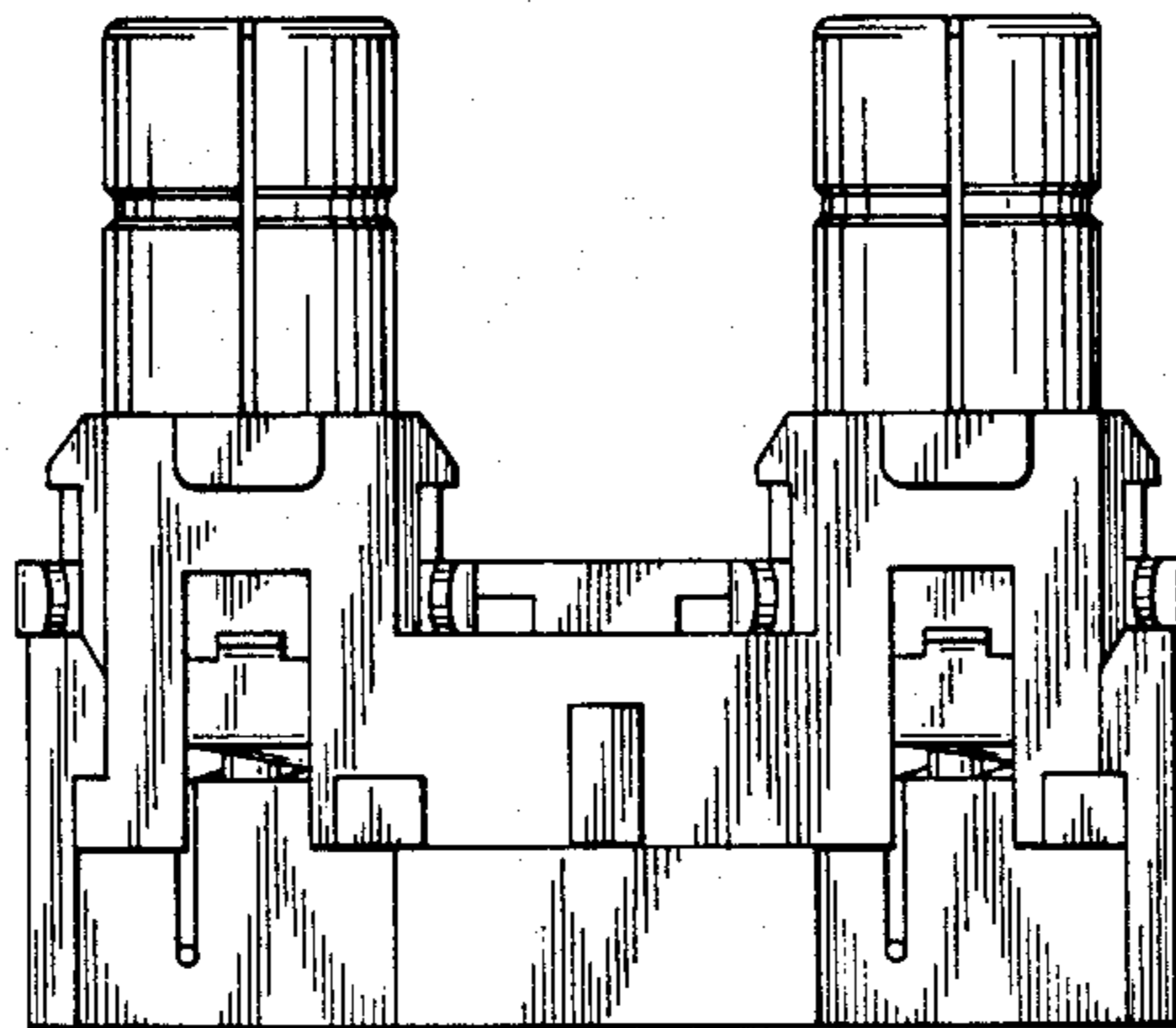


FIG. 14

