

[54] **TRANSFORMER CONNECTOR**
[75] **Inventor: Eugene W. McGrane, Ormond Beach, Fla.**
[73] **Assignee: Homac Mfg. Company, Ormond Beach, Fla.**
[**] **Term: 14 Years**
[21] **Appl. No.: 877,924**
[22] **Filed: Jun. 23, 1986**
[52] **U.S. Cl. D13/24**
[58] **Field of Search D13/4, 12-13, D13/24, 40-41, 99; 361/426; 439/359, 588, 620, 724, 279; 174/138 F**

3,808,587 4/1974 Lipp et al. 339/198 R
3,874,760 4/1975 Guthmiller et al. 339/60 R
4,214,806 7/1980 Kraft 339/242
4,382,651 5/1983 Klosin et al. 439/359
4,382,651 5/1983 Klosin et al. 339/92 R
4,547,627 10/1985 McGrane 174/138 F

Primary Examiner—Bruce W. Dunkins
Assistant Examiner—Ruth Takemoto
Attorney, Agent, or Firm—John E. Benoit

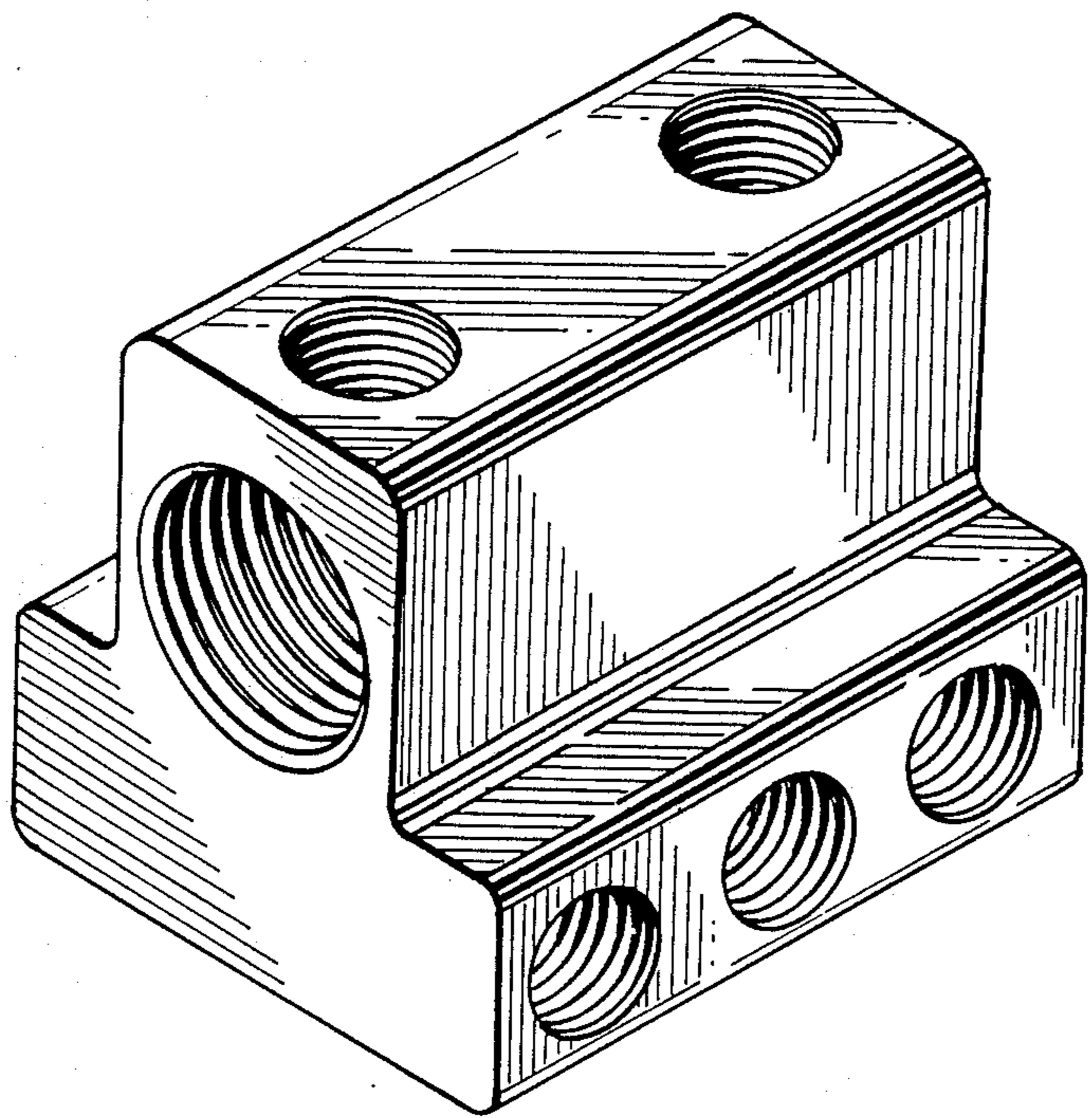
[57] **CLAIM**

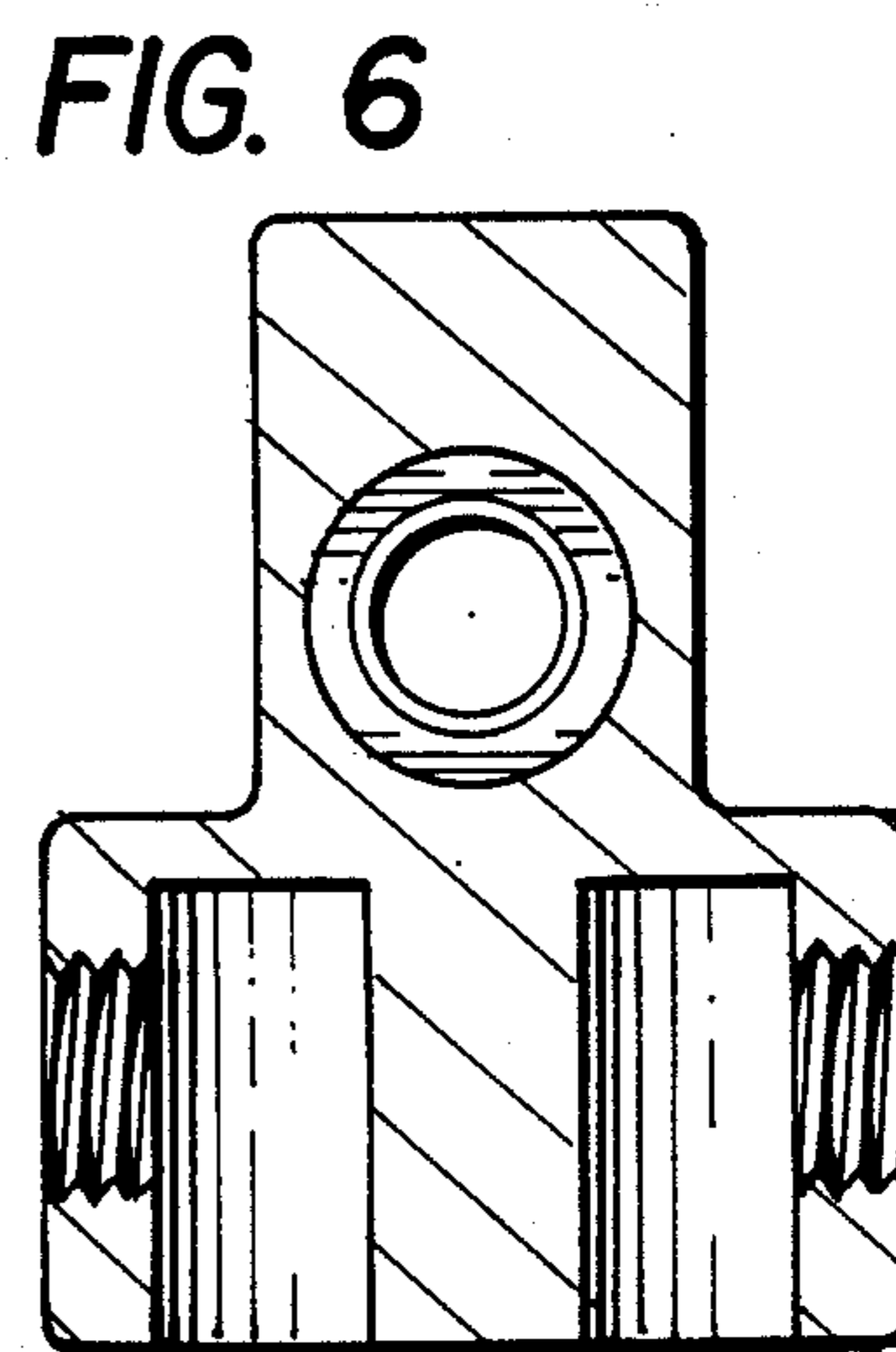
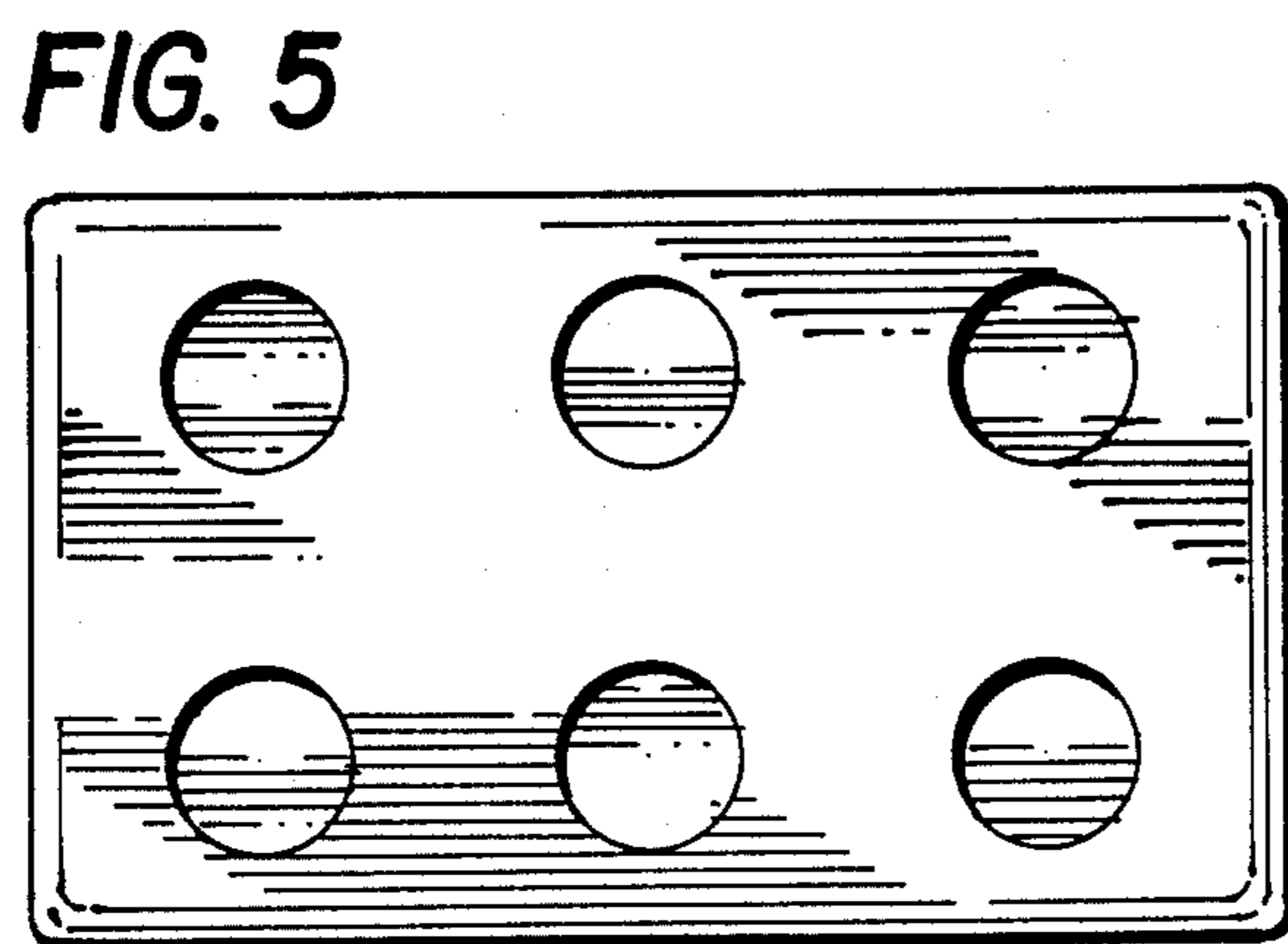
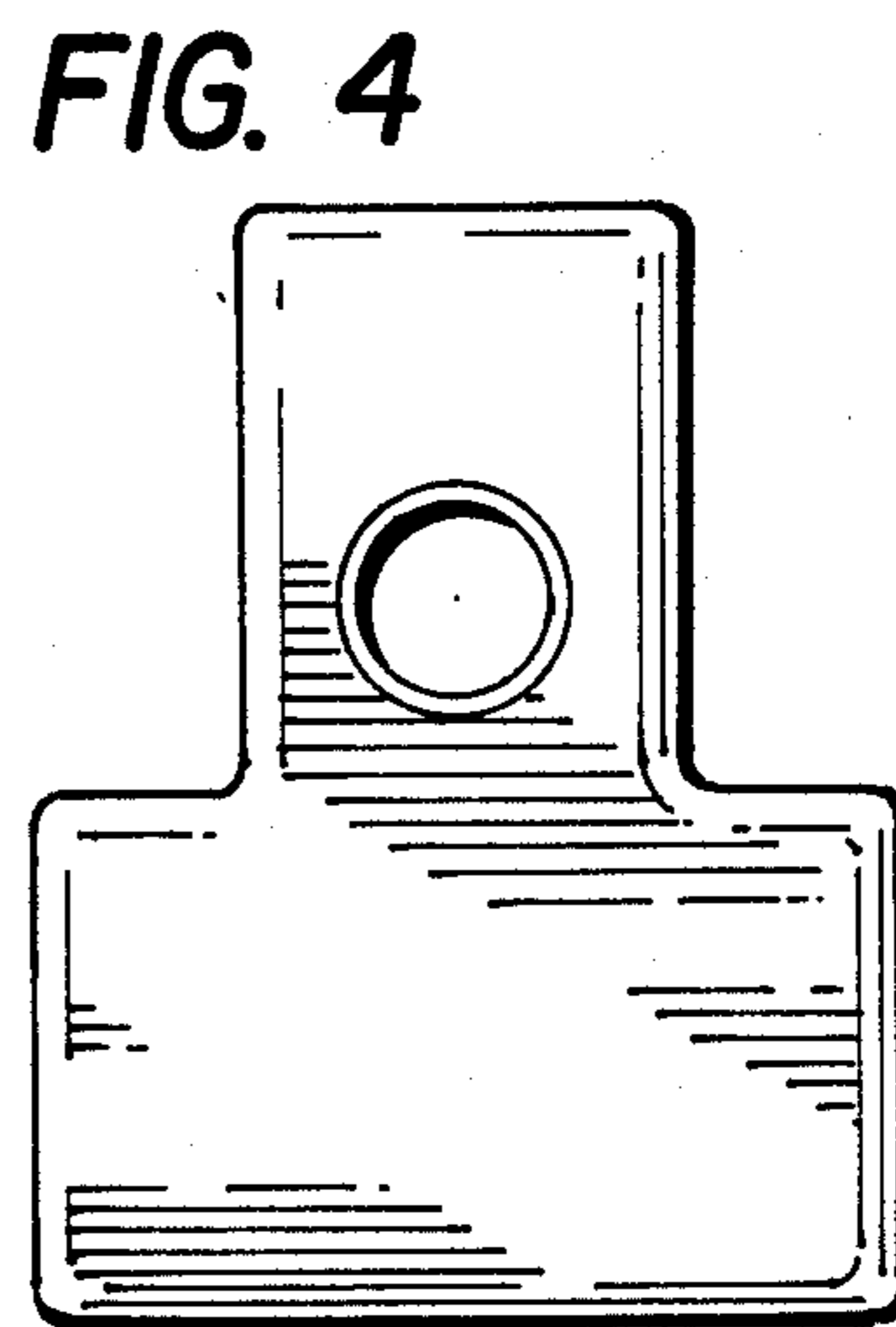
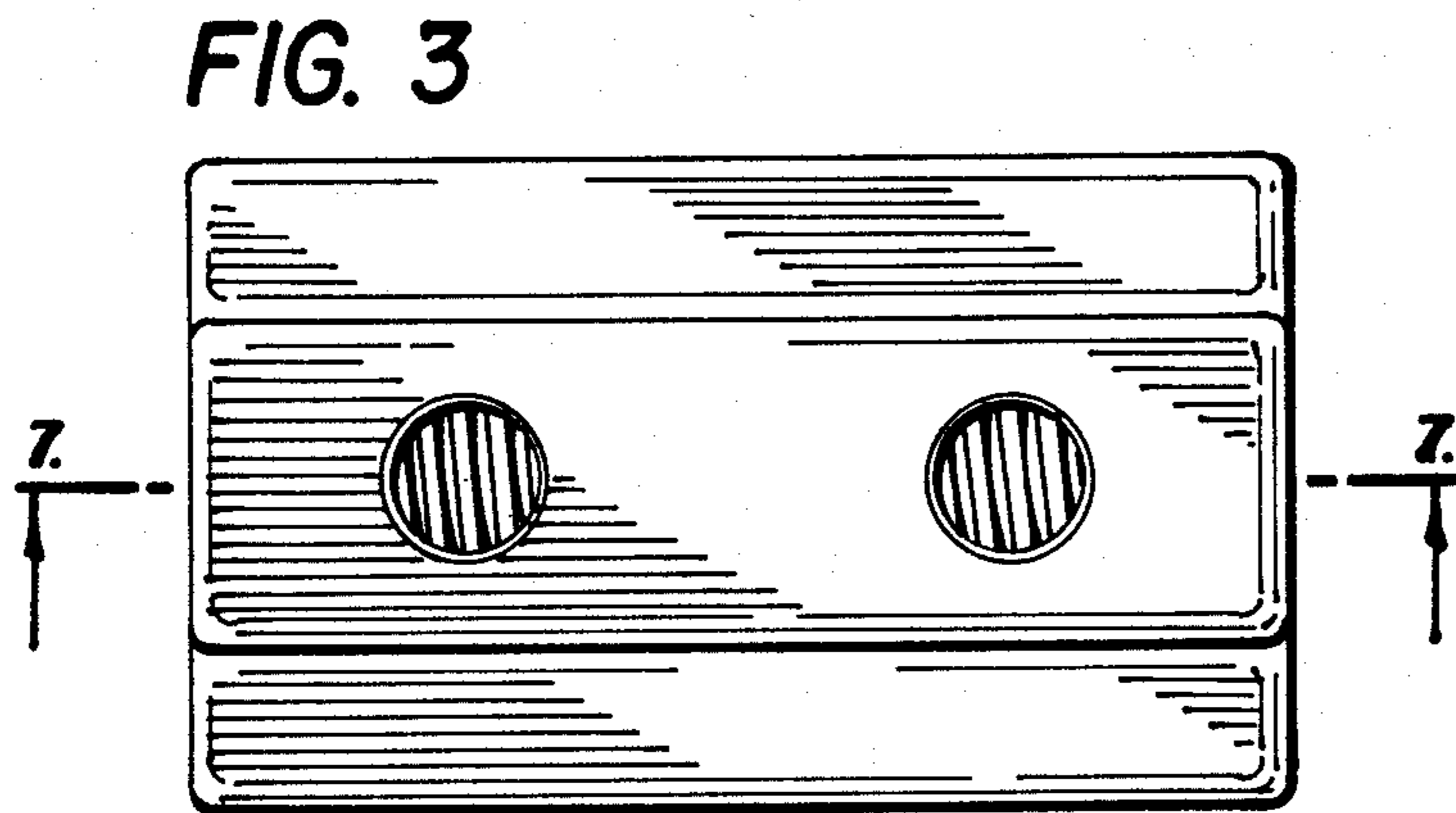
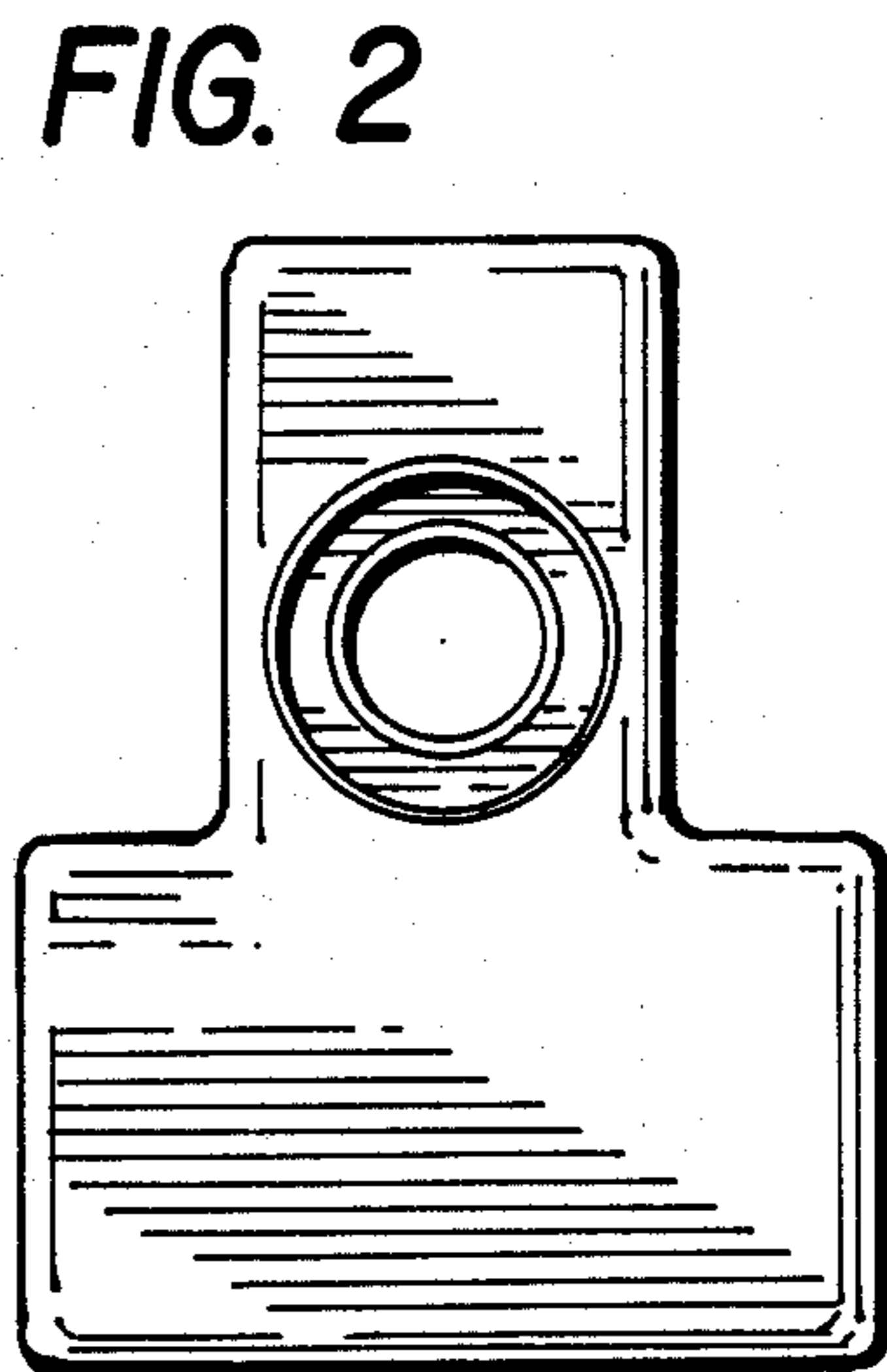
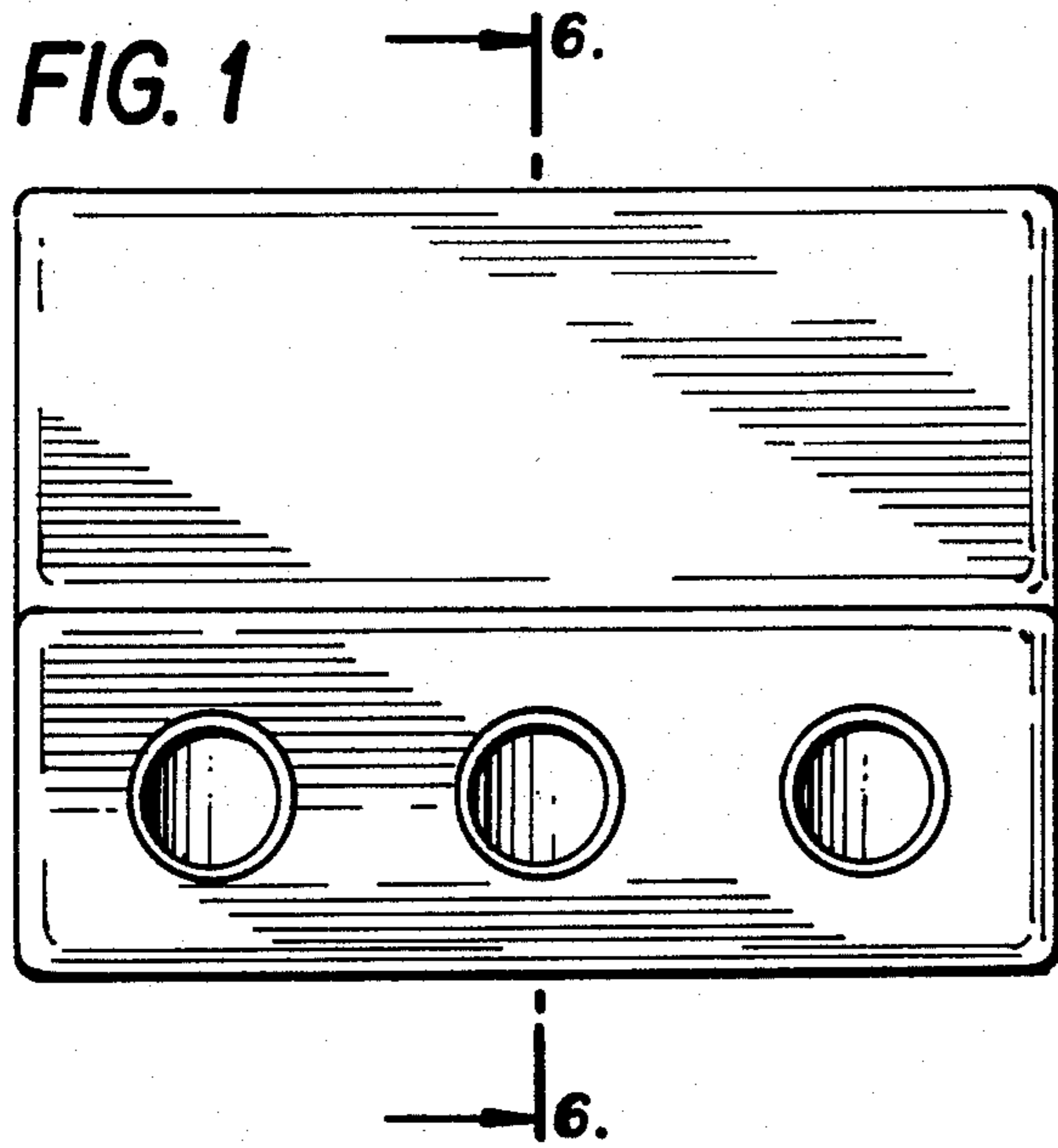
The ornamental design for a transformer connector, as shown and described.

DESCRIPTION

FIG. 1 is a side elevational view of a transformer connector showing my new design;
FIG. 2 is a front elevational view thereof;
FIG. 3 is a top plan view thereof;
FIG. 4 is a rear elevational view thereof;
FIG. 5 is a bottom plan view thereof;
FIG. 6 is a sectional view taken along lines 6—6 in FIG. 1;
FIG. 7 is a sectional view taken along lines 7—7 of FIG. 3; and
FIG. 8 is a perspective view thereof.

[56] **References Cited**
U.S. PATENT DOCUMENTS
2,431,999 12/1947 Engelhardt 439/724
2,764,749 9/1956 Aberle 439/588
3,139,480 6/1964 Desloge 174/65
3,187,085 6/1965 Brackett 174/65
3,382,478 5/1968 Satterthwait 439/724
3,652,977 3/1972 Feldberg 439/724
3,714,618 1/1973 Appleton 439/724





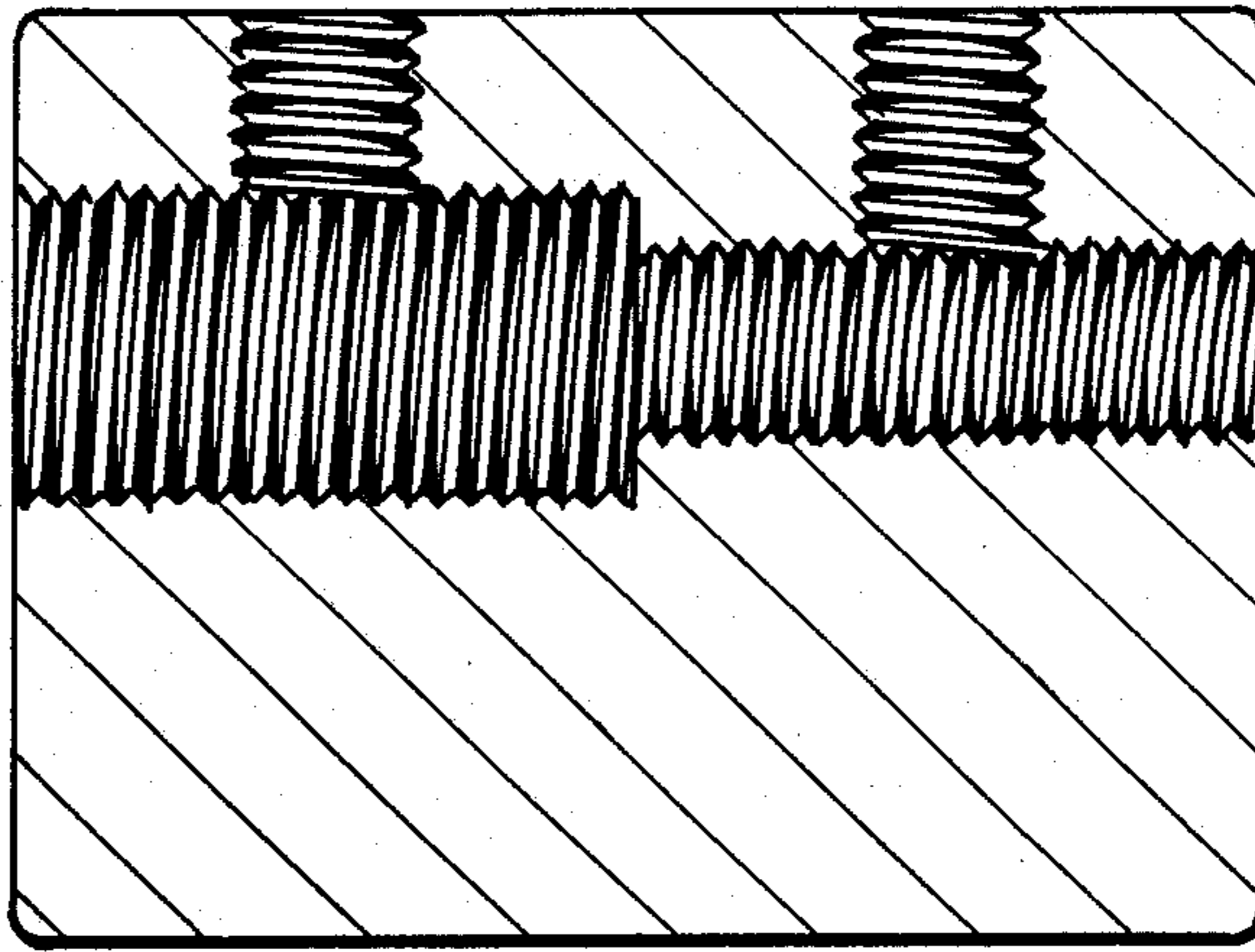


FIG. 7

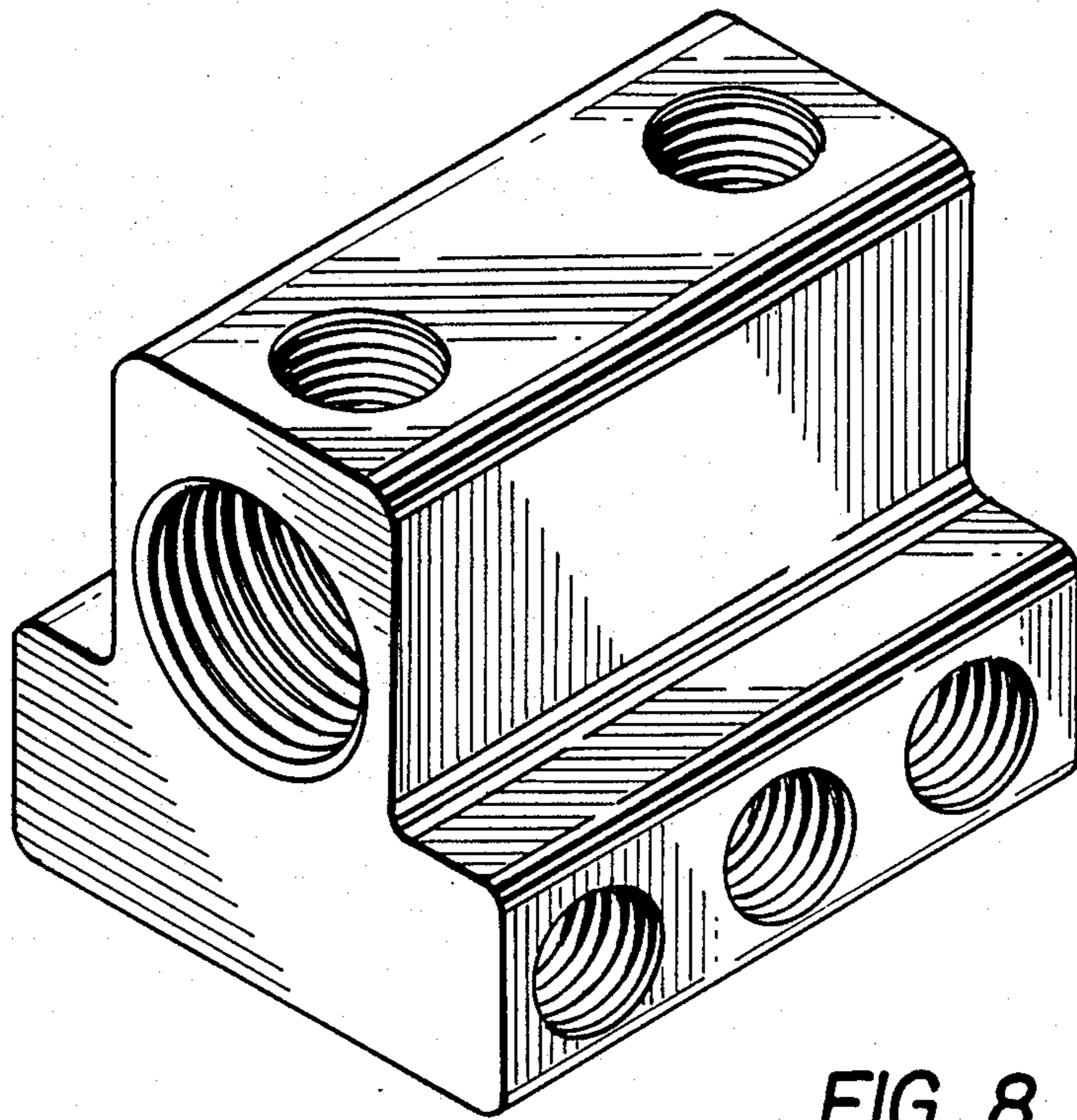


FIG. 8