

[54] AUTOMOTIVE REAR VIEW MIRROR SUPPORT UNIT

[75] Inventor: William Kovensky, Columbia, Md.

[73] Assignee: Mr. Gasket Company, Cleveland, Ohio

[**] Term: 14 Years

[21] Appl. No.: 73,209

[22] Filed: Jul. 14, 1987

[52] U.S. Cl. D12/187

[58] Field of Search D12/187; 350/631; 248/475.1, 479, 484, 485, 487

[56] References Cited

U.S. PATENT DOCUMENTS

- D. 268,576 4/1983 Sharp D12/187
- D. 285,549 9/1986 Haack D12/187

2,596,632 5/1952 Whitehead 248/487

FOREIGN PATENT DOCUMENTS

822393 10/1959 United Kingdom 248/485

Primary Examiner—James M. Gandy
Attorney, Agent, or Firm—Roylance, Abrams, Berdo & Goodman

[57] CLAIM

The ornamental design for an automotive rear view mirror support unit, as shown.

DESCRIPTION

FIG. 1 is a top and left side perspective view of an automotive rear view mirror support unit embodying my new design;
FIG. 2 is a rear elevational view thereof;
FIG. 3 is a right side elevational view thereof; and
FIG. 4 is a bottom plan view thereof.

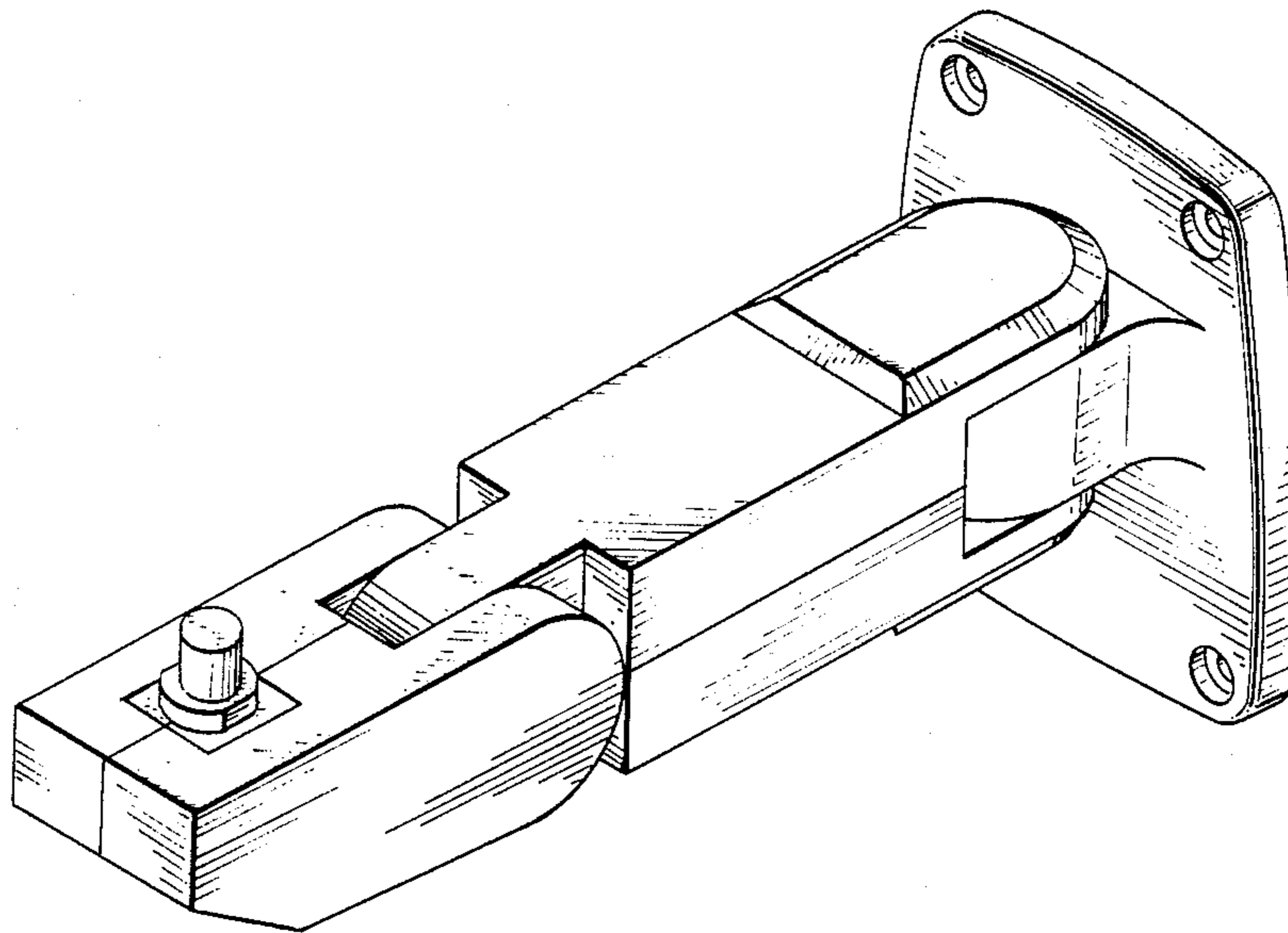


FIG. 1

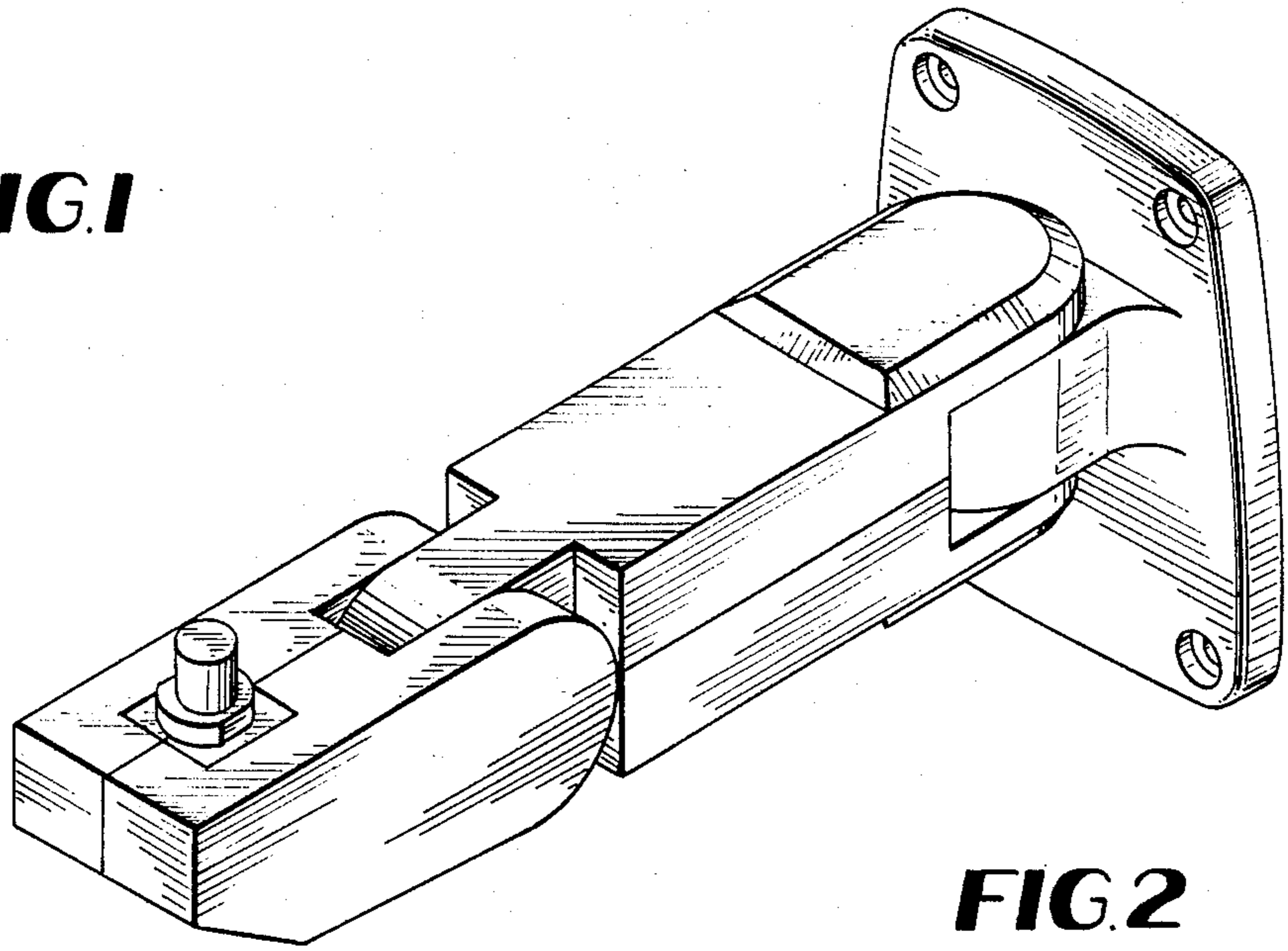


FIG. 2

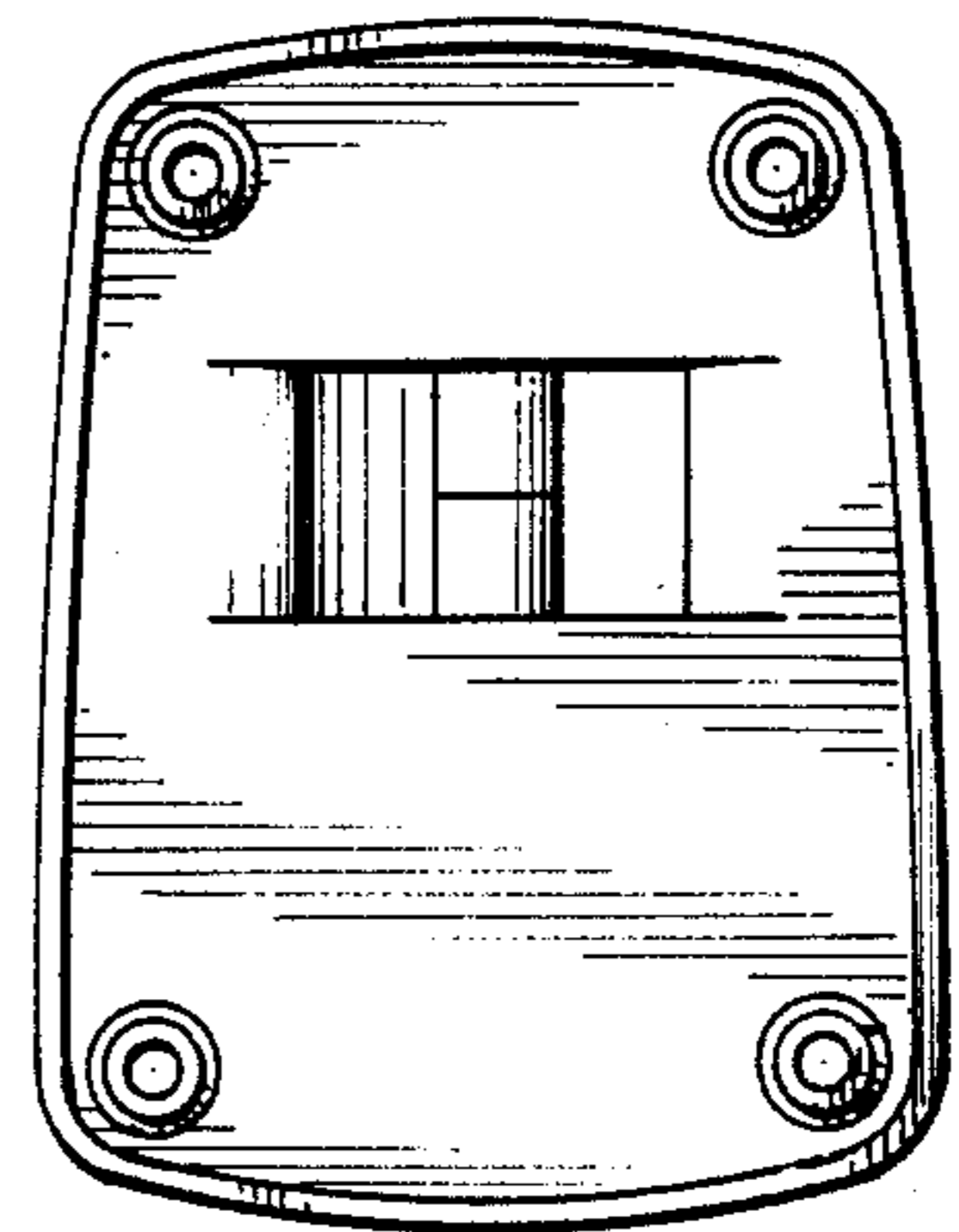


FIG. 3

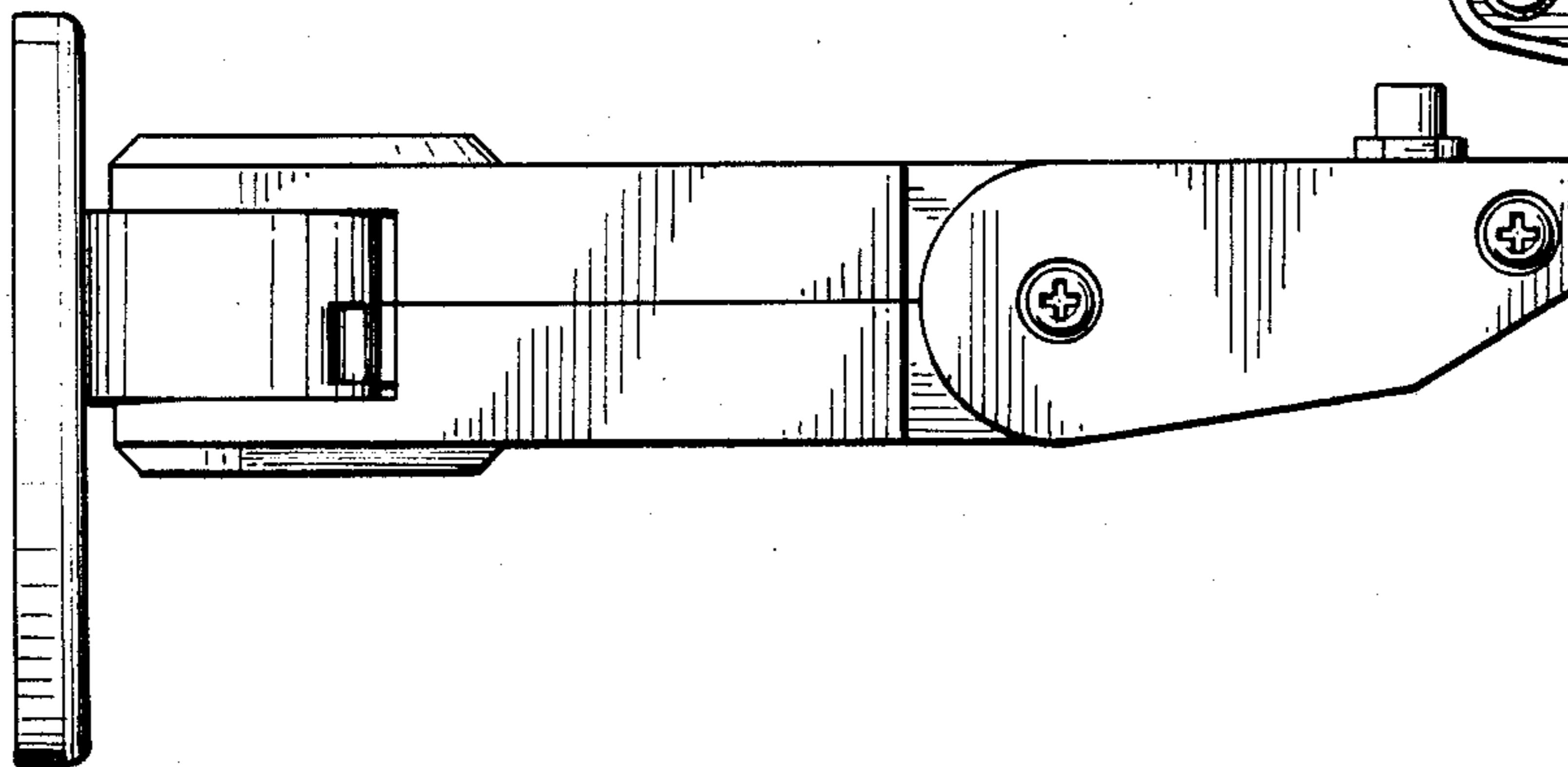


FIG. 4

