

[54] PAVEMENT PATCHING VEHICLE

[76] Inventor: Robert M. Yant, P.O. Box 28434, Sacramento, Calif. 95828

[**] Term: 14 Years

[21] Appl. No.: 800,475

[22] Filed: Nov. 21, 1985

[52] U.S. Cl. D12/1; D12/14

[58] Field of Search D12/1, 14; 404/103, 404/110, 109, 111, 90; 296/190

[56] References Cited

U.S. PATENT DOCUMENTS

1,632,969	6/1927	Horner et al.	404/90
1,695,202	12/1928	Newell	404/101
3,217,620	11/1965	Mindrum et al.	404/103
3,361,042	1/1968	Cutler	404/110
3,497,017	2/1970	Goettl et al.	173/18
3,498,384	3/1970	Tatsuo Ogura	172/40
3,625,120	12/1971	Nagy	404/107

3,841,779	10/1974	Ray	404/111
3,967,913	7/1976	Gabriel	404/109
3,989,403	11/1976	Verive	404/111
4,215,949	8/1980	Gabriel	404/110
4,704,046	11/1987	Yant	404/110

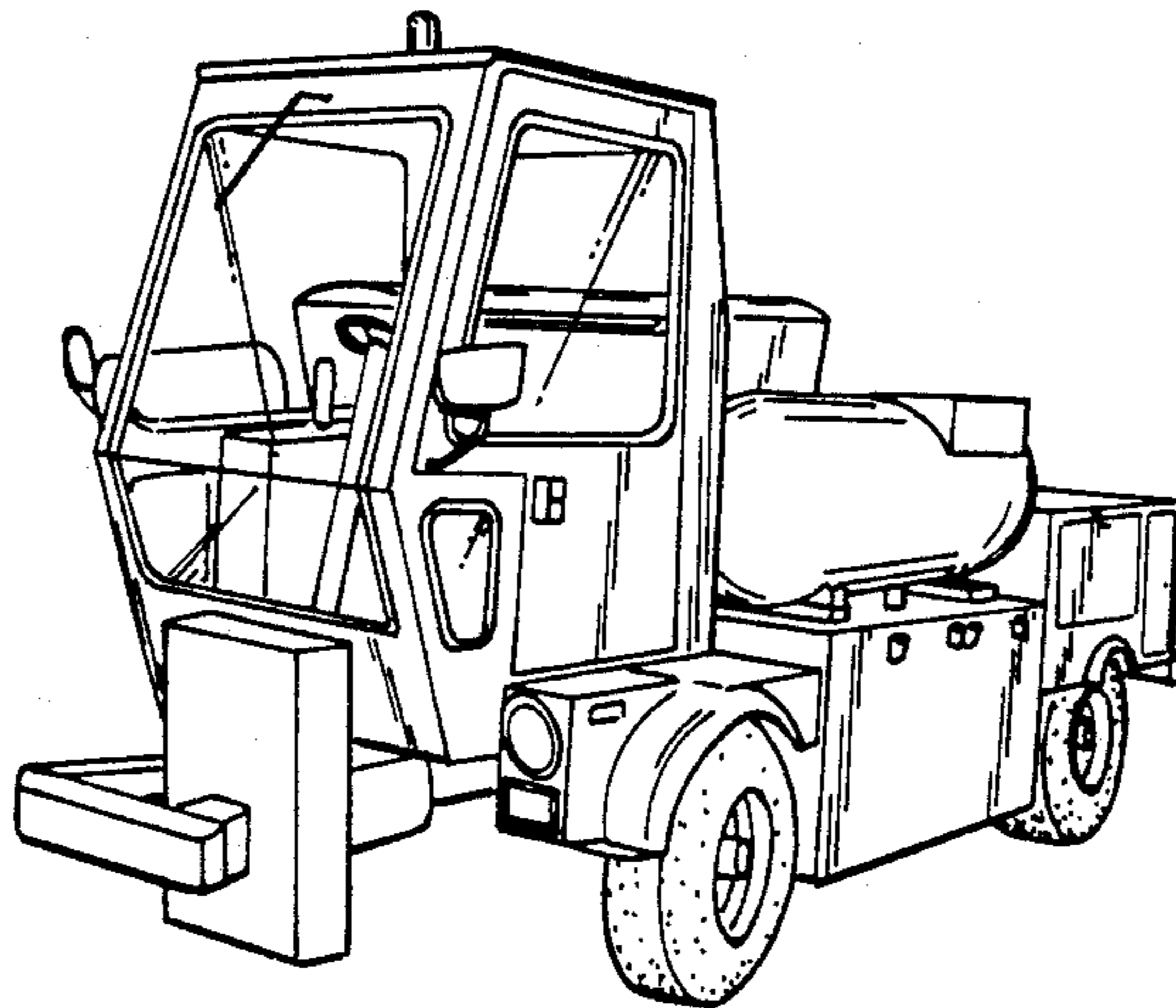
Primary Examiner—Wallace R. Burke
Assistant Examiner—Kay H. Chin
Attorney, Agent, or Firm—Townsend and Townsend

[57] CLAIM

The ornamental design for a pavement patching vehicle, as shown.

DESCRIPTION

FIG. 1 is perspective view of a pavement patching vehicle showing my new design; FIG. 2 is a top plan view thereof; FIG. 3 is a front elevational view thereof; FIG. 4 is a right side elevational view thereof; FIG. 5 is a left side elevational view thereof; and FIG. 6 is a rear elevational view thereof.



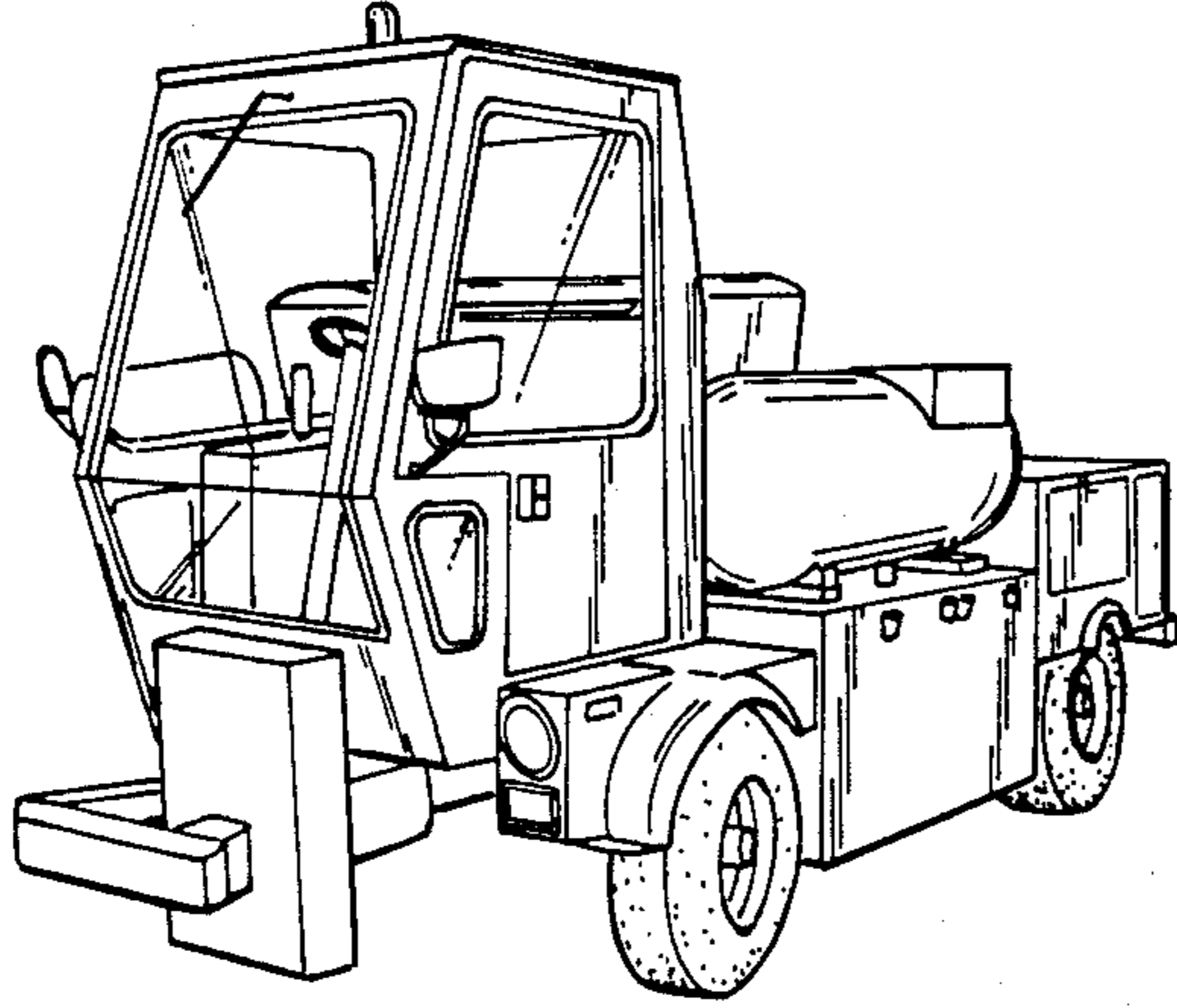


FIG. 1.

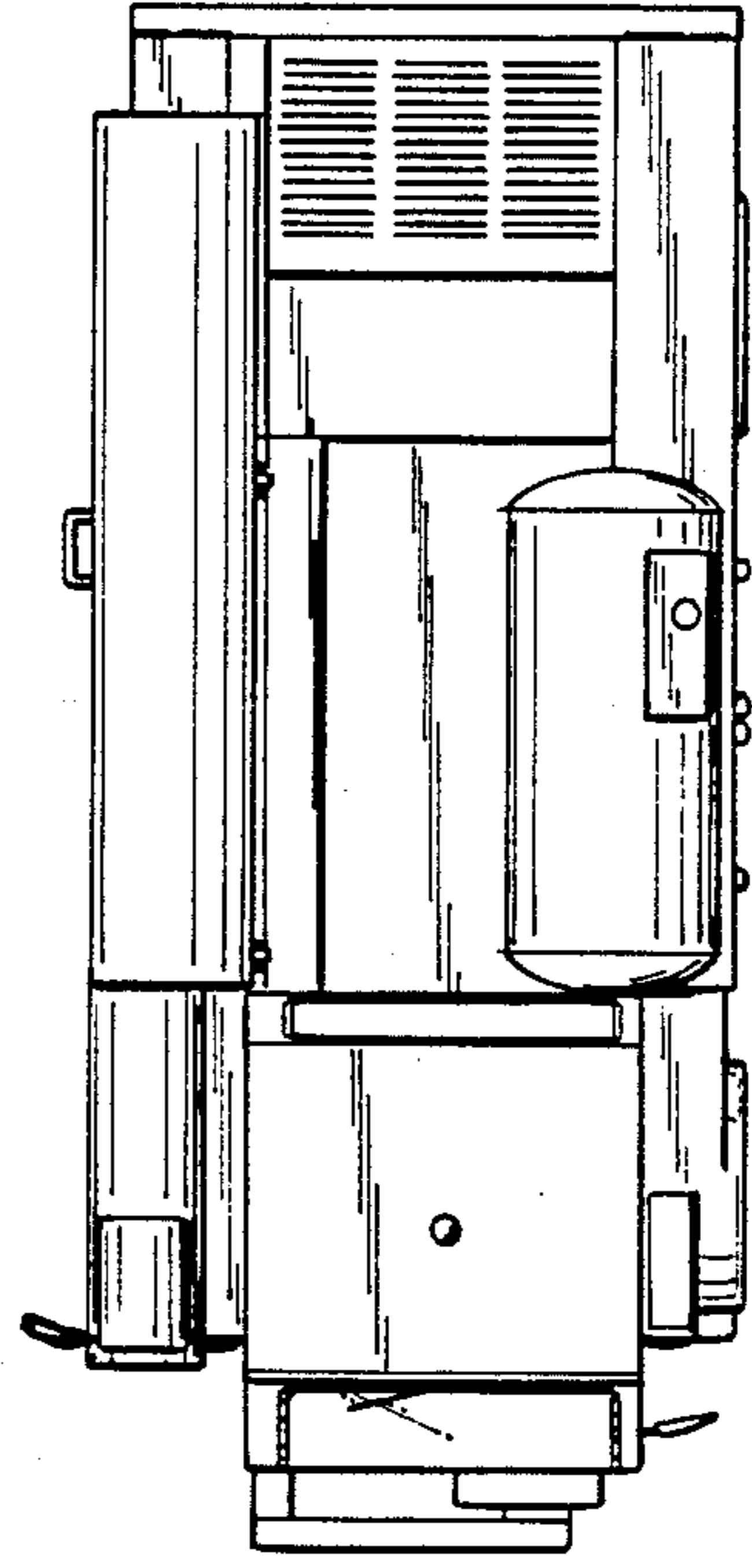


FIG. 2.

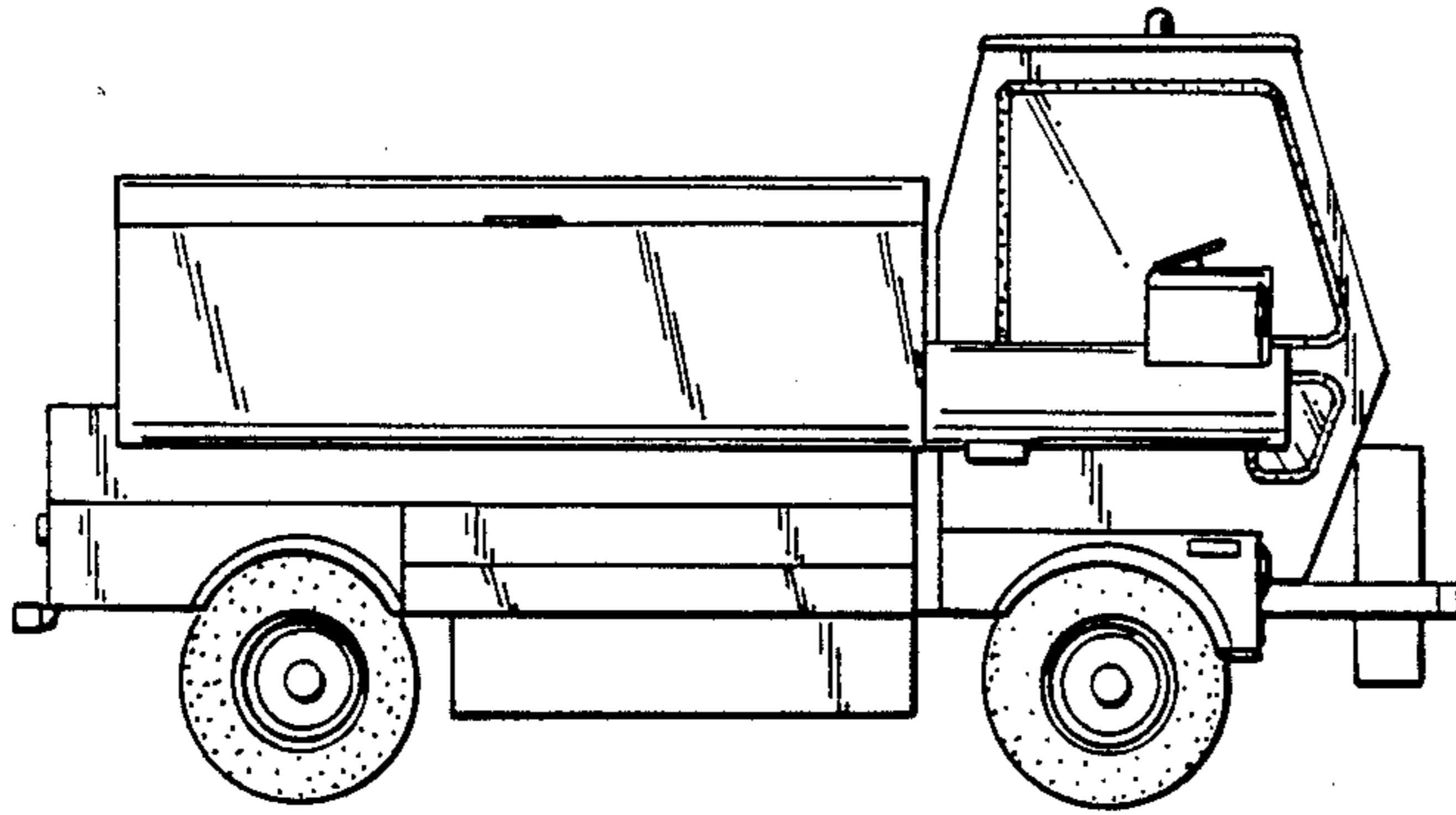


FIG. 5.

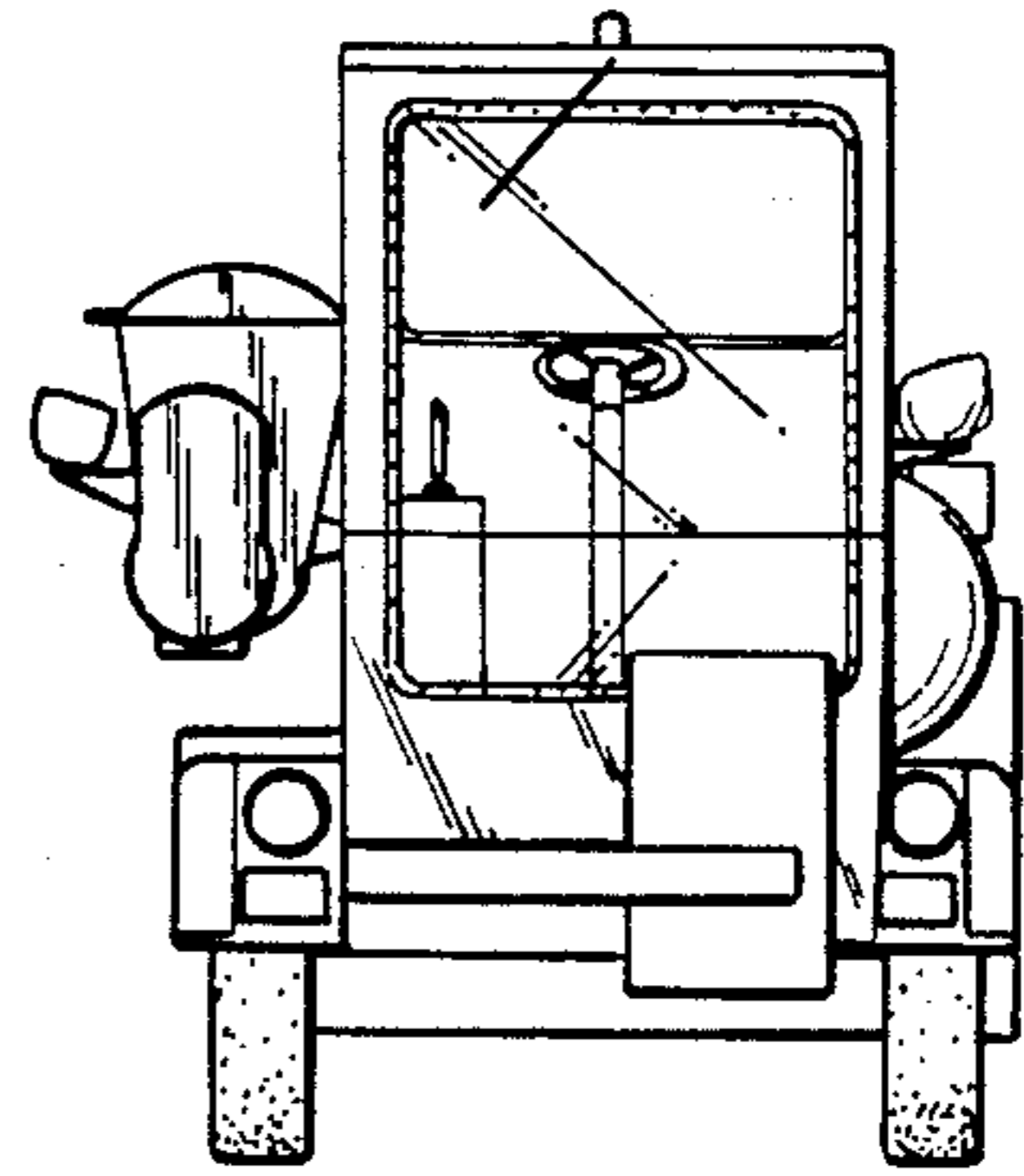


FIG. 3.

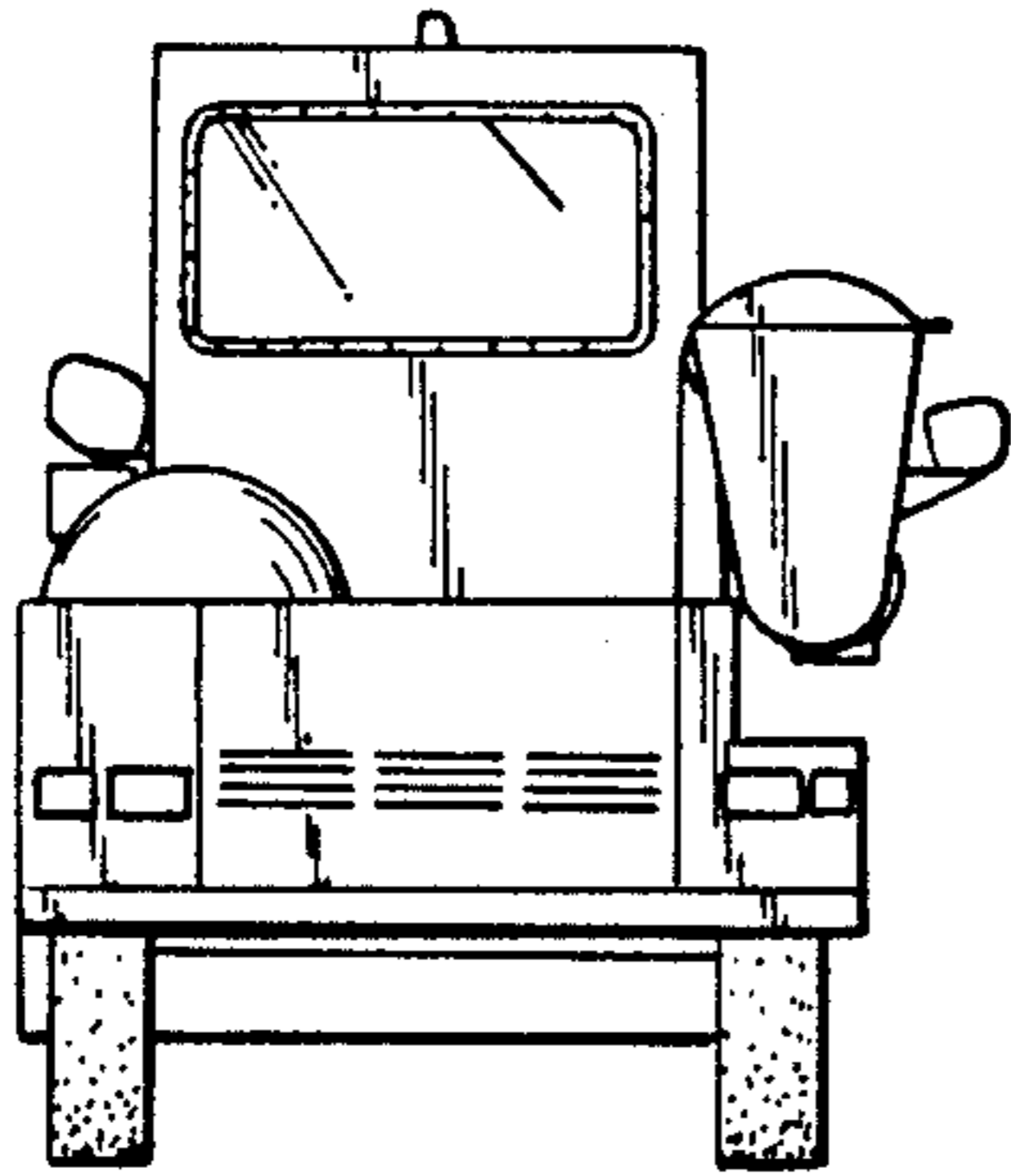


FIG. 6.

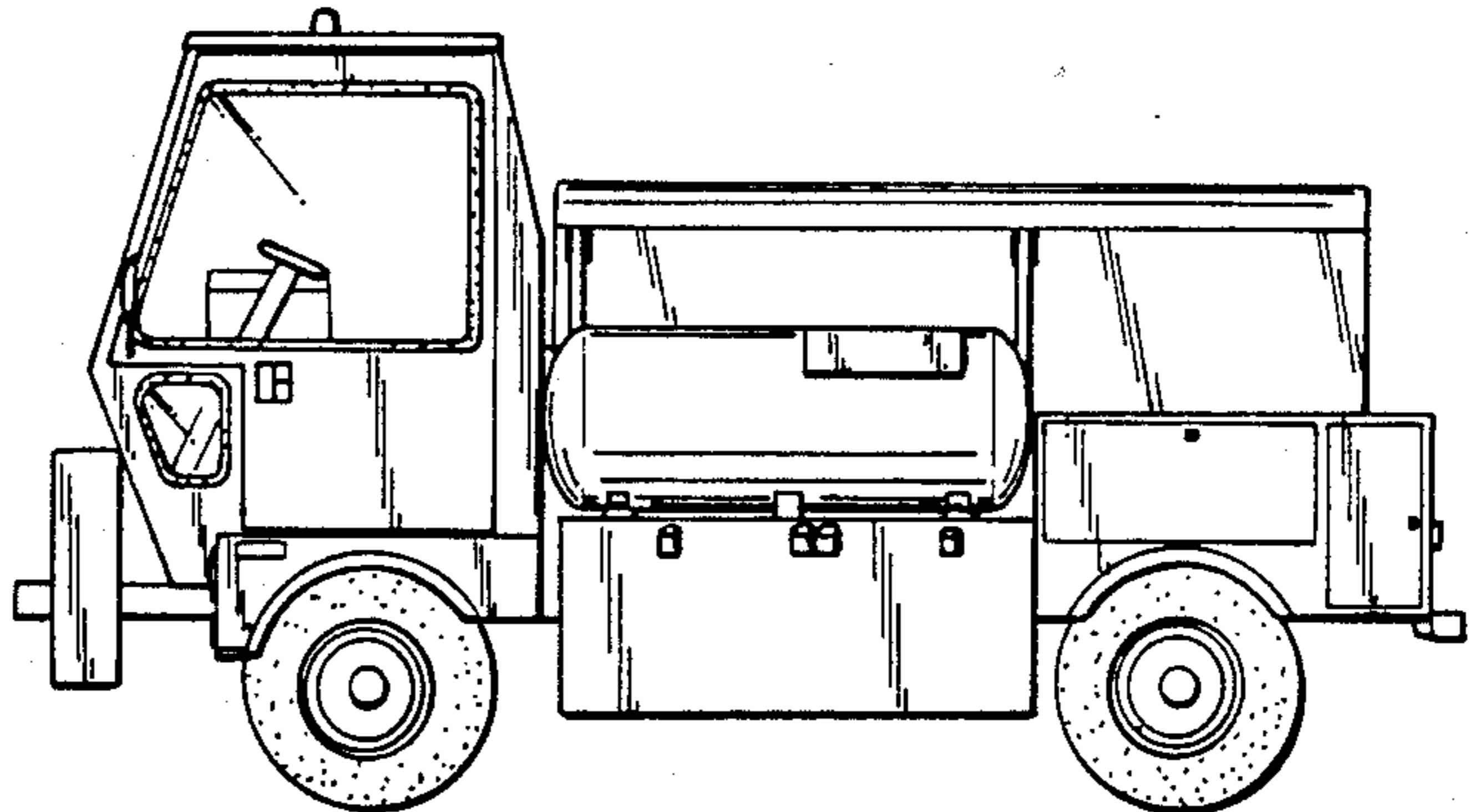


FIG. 4.