

[54] PLANTER

2,814,911 12/1957 Shep 47/80

[76] Inventors: George Heras; Diane Heras, both of 6815 Eden La., Tampa, Fla. 33614

FOREIGN PATENT DOCUMENTS

0754597 8/1956 United Kingdom 47/79

[**] Term: 14 Years

Primary Examiner—B. J. Bullock
Attorney, Agent, or Firm—Walter J. Monacelli

[21] Appl. No.: 882,611

[57] CLAIM

[22] Filed: Jul. 7, 1986

The ornamental design for a planter, as shown and described.

[52] U.S. Cl. D11/143; D11/152

[58] Field of Search D11/143, 152-154, D11/164, 151; 47/66, 79, 80; D7/29

DESCRIPTION

[56] References Cited

U.S. PATENT DOCUMENTS

- D. 172,197 5/1954 Rowe D11/153
- D. 175,435 8/1955 Moffat D11/151
- D. 182,130 2/1958 Luipersbek D11/154
- D. 217,006 3/1970 Michalek D7/29

FIG. 1 is a top plan view of a planter showing our new design;

FIG. 2 is a front view thereof;

FIG. 3 is a rear view thereof, the side views being identical;

FIG. 4 is a bottom view thereof; and

FIG. 5 is a perspective view thereof.

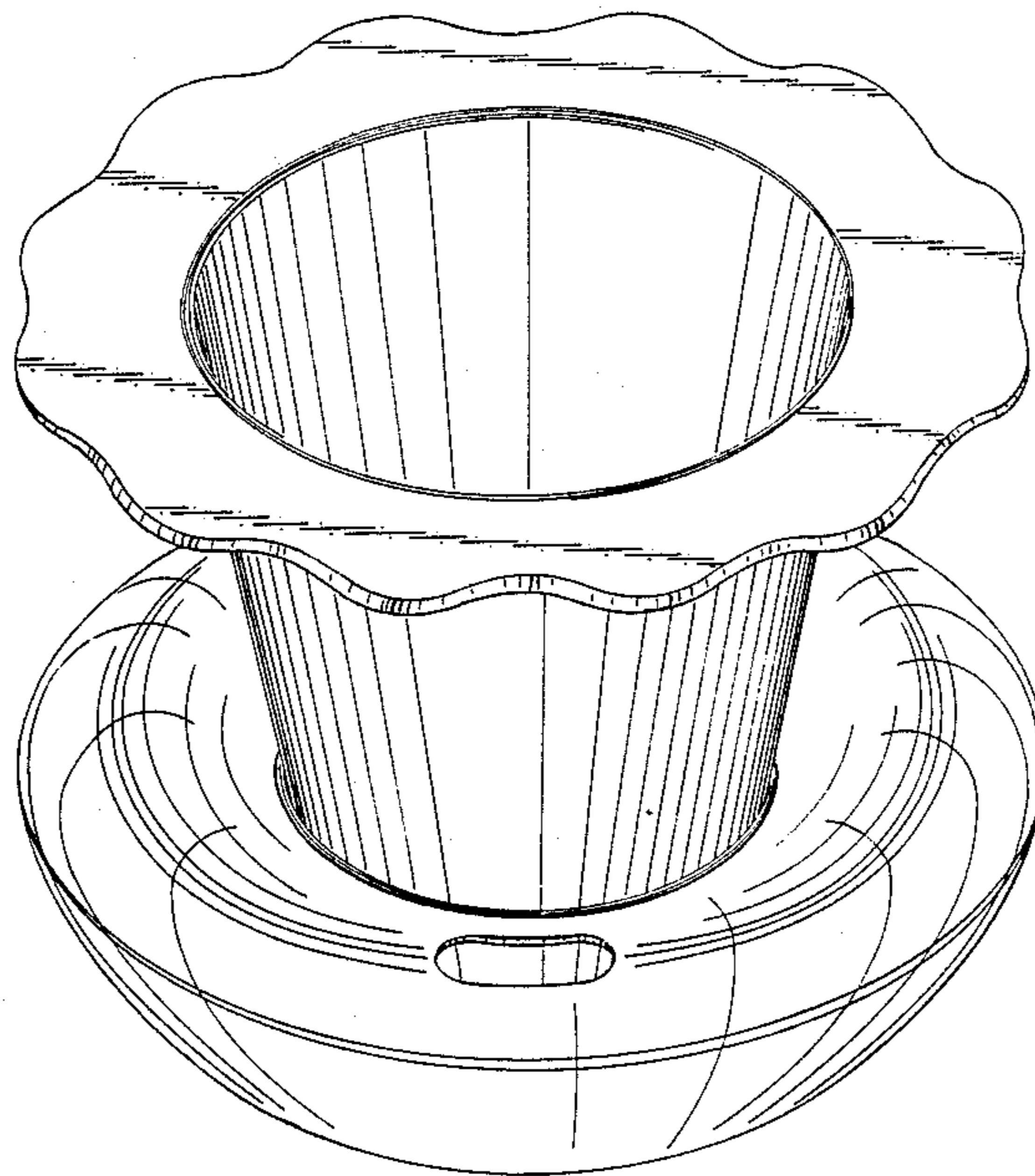


FIG. 1

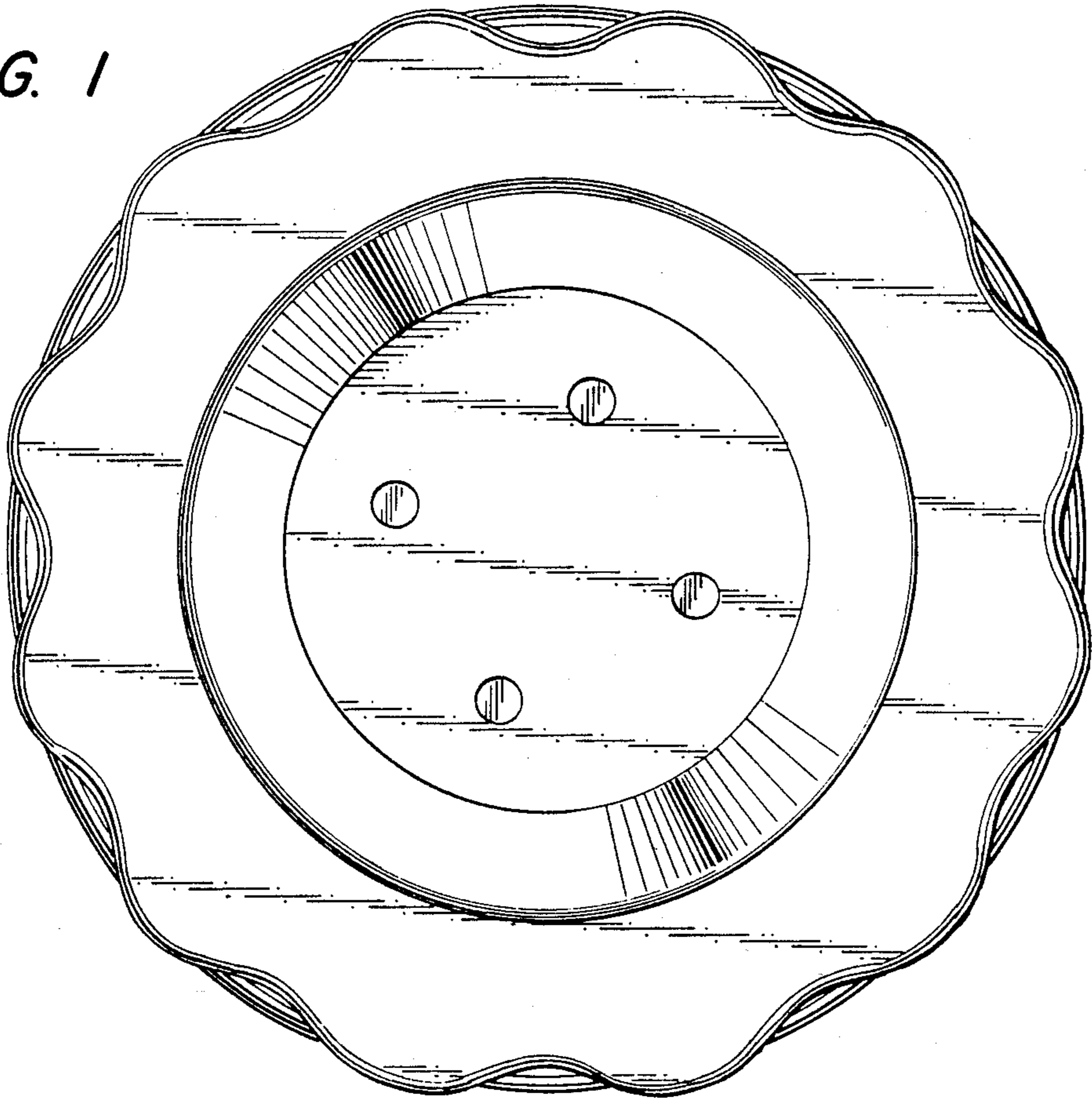


FIG. 2

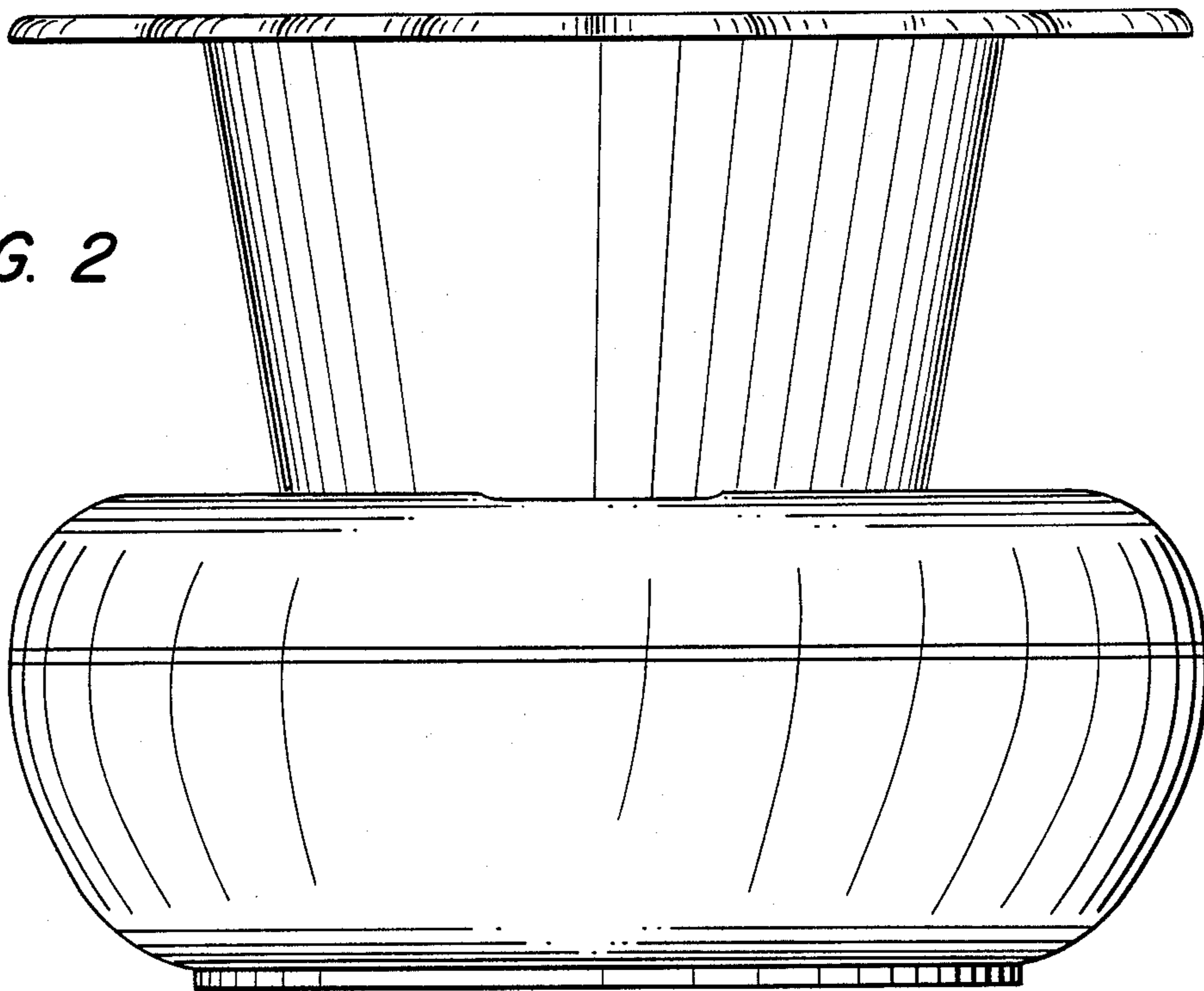


FIG. 3

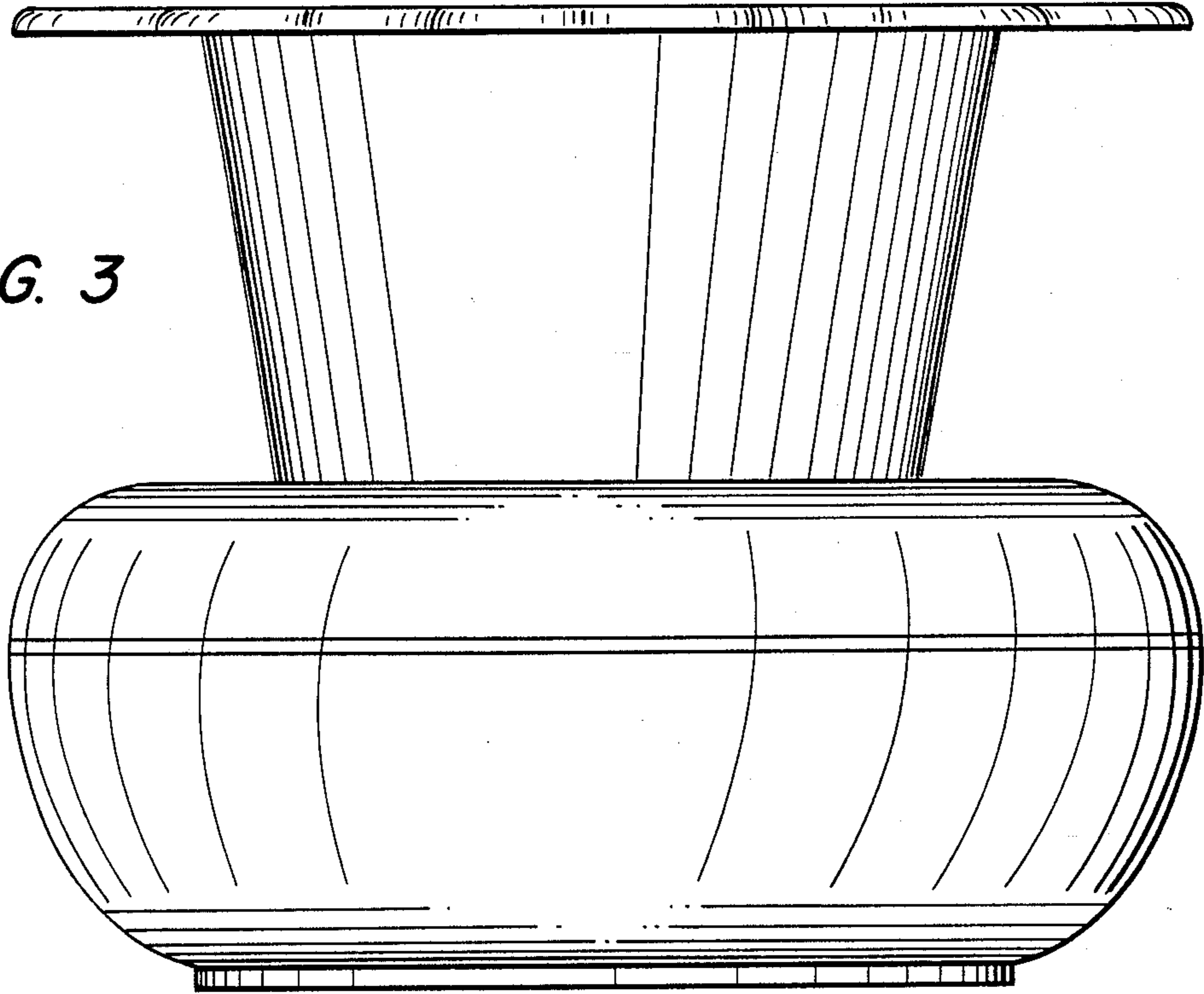
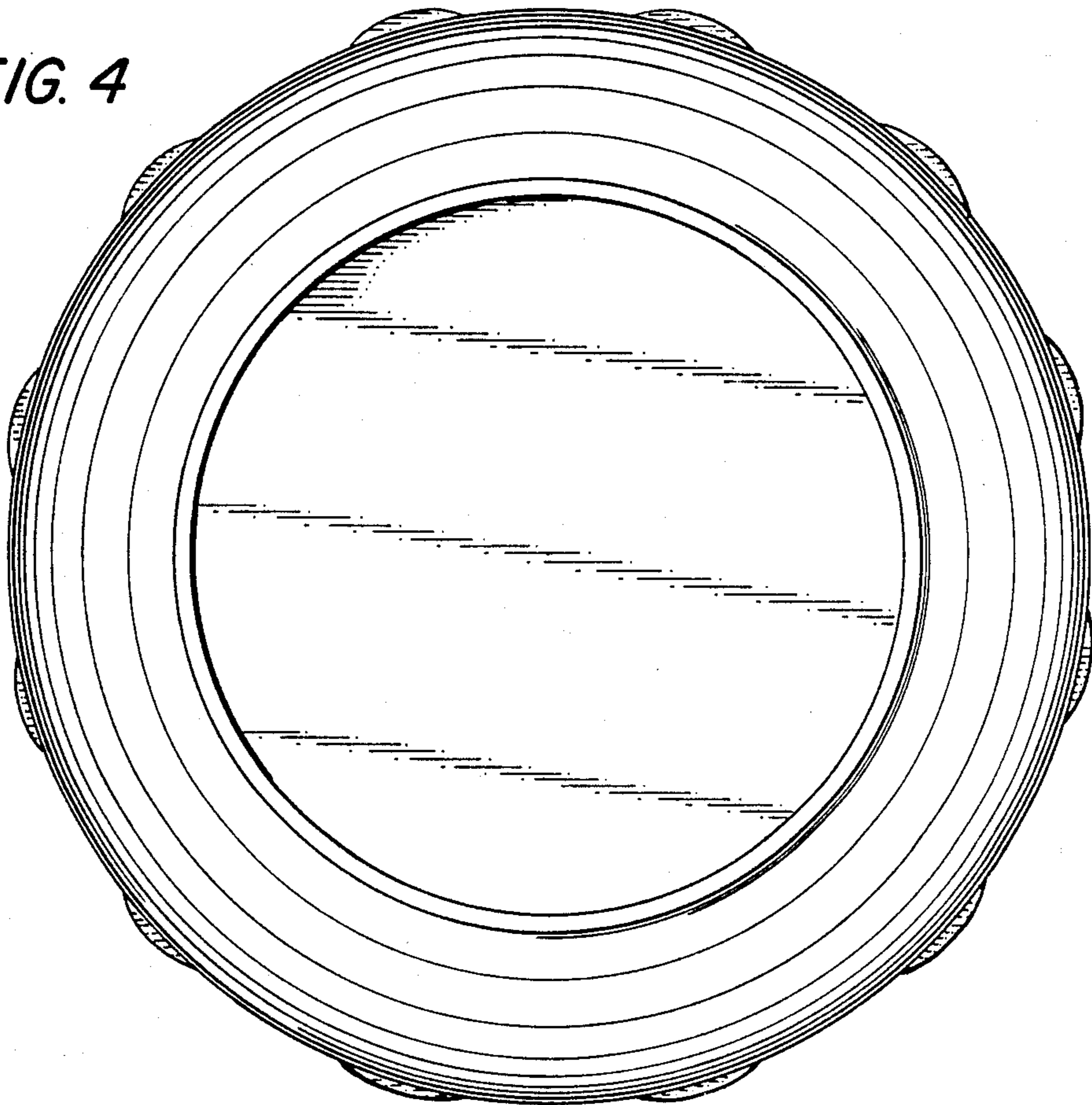


FIG. 4



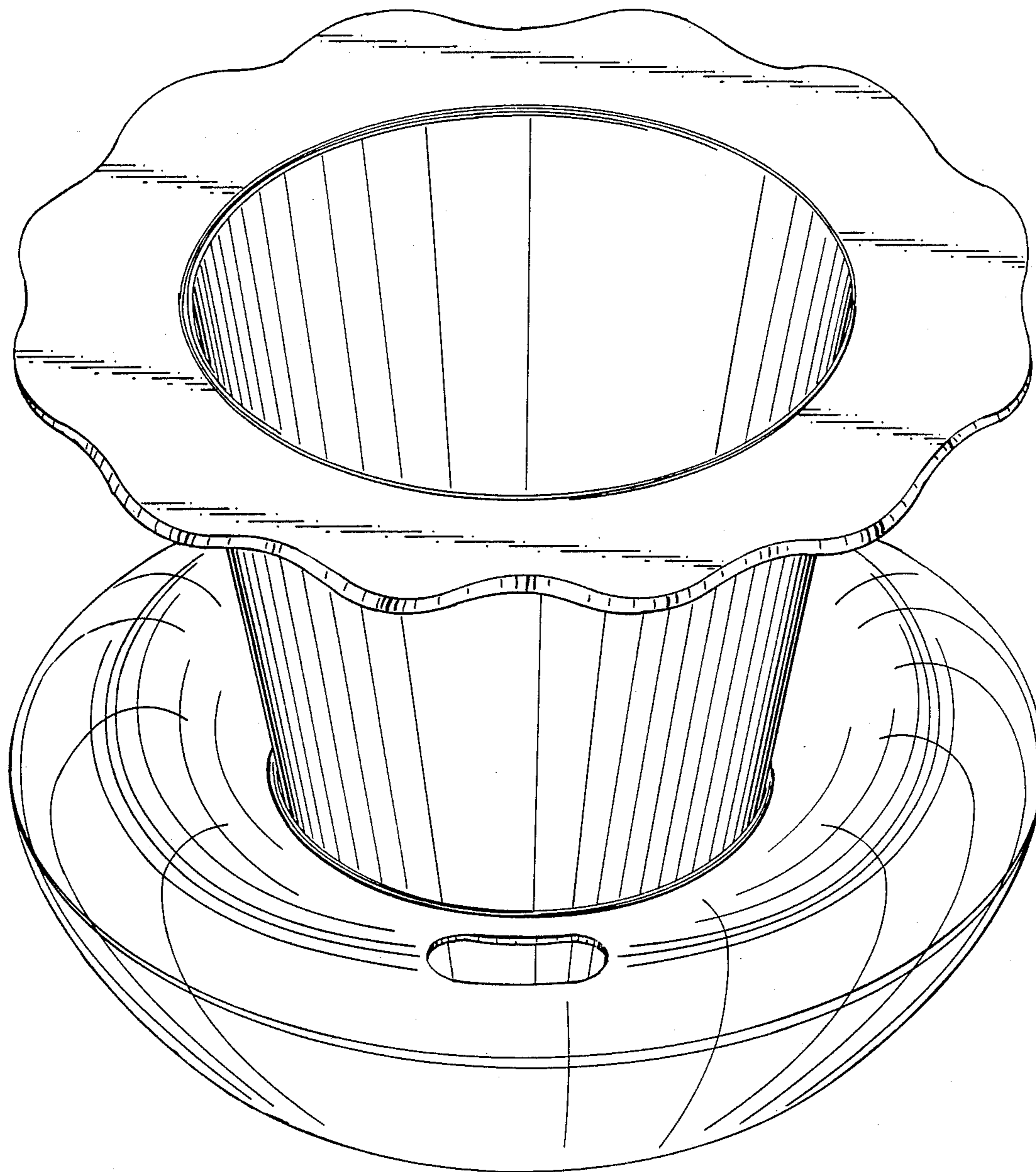


FIG. 5