

[54] EARRING FASTENER

[75] Inventor: Michael S. Weingast, Sharon, Mass.

[73] Assignee: Crystal Brands, Inc., Southport, Conn.

[**] Term: 14 Years

[21] Appl. No.: 863,545

[22] Filed: May 15, 1986

[52] U.S. Cl. D11/88

[58] Field of Search D11/2, 40-43, D11/47, 75, 76, 86-88; 63/1.1, 2, 12-14.8

[56] References Cited

U.S. PATENT DOCUMENTS

- 3,910,065 10/1975 Holt 63/12
- 4,630,452 12/1986 Connelly et al. 63/12

FOREIGN PATENT DOCUMENTS

2498900 8/1982 France 63/12

Primary Examiner—Louis S. Zarfes

Attorney, Agent, or Firm—L. McRoy Lillehaugen; Gene O. Enockson

[57] CLAIM

The ornamental design for an earring fastener, as shown and described.

DESCRIPTION

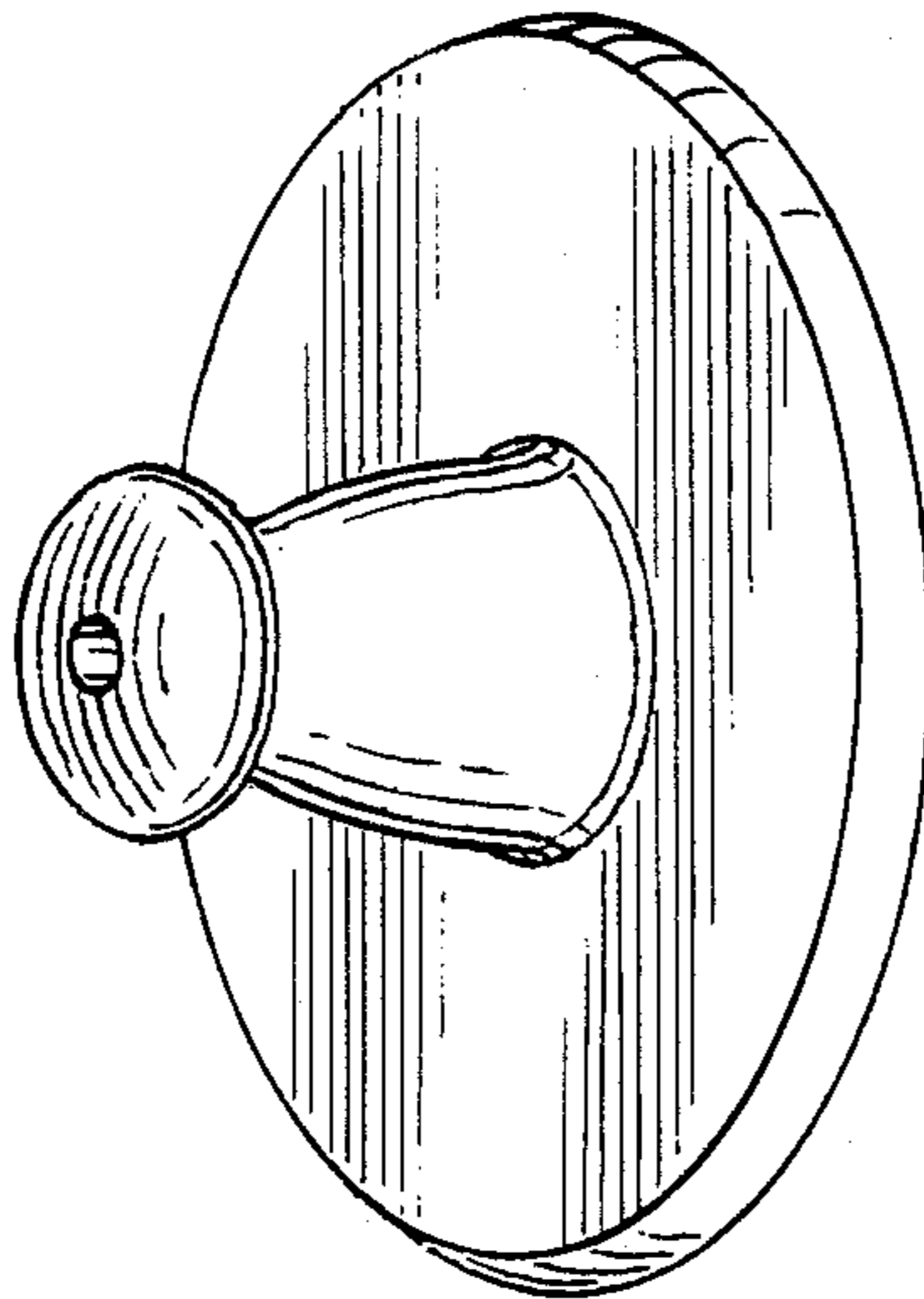
FIG. 1 is a perspective view of an earring fastener showing my new design;

FIG. 2 is a side elevational view, looking from the left with respect to FIG. 3;

FIG. 3 is a front elevational view thereof;

FIG. 4 is a side elevational view, looking from the right with respect to FIG. 3; and

FIG. 5 is a cross sectional view taken along line 5—5 of FIG. 2.



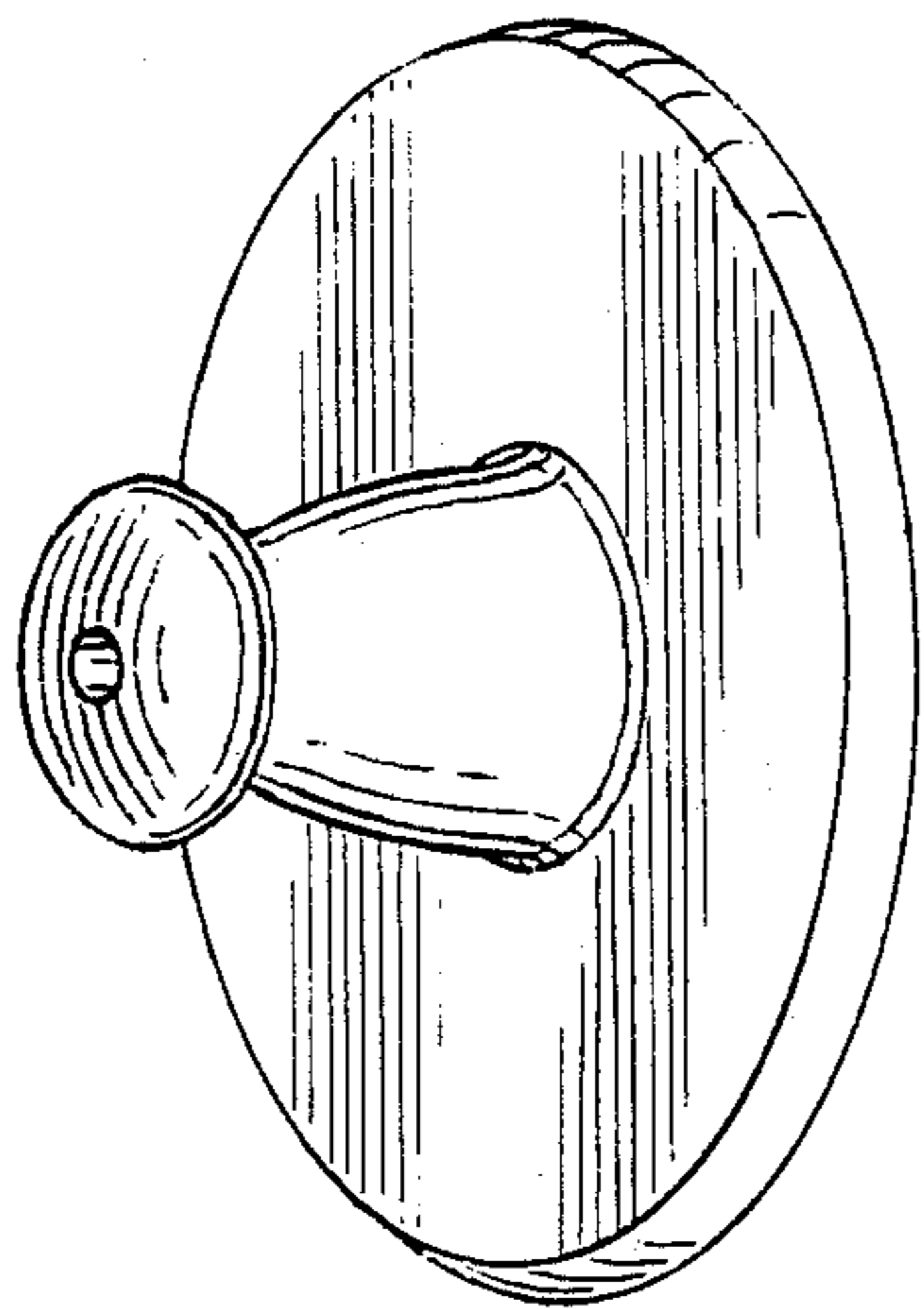


FIG. 1

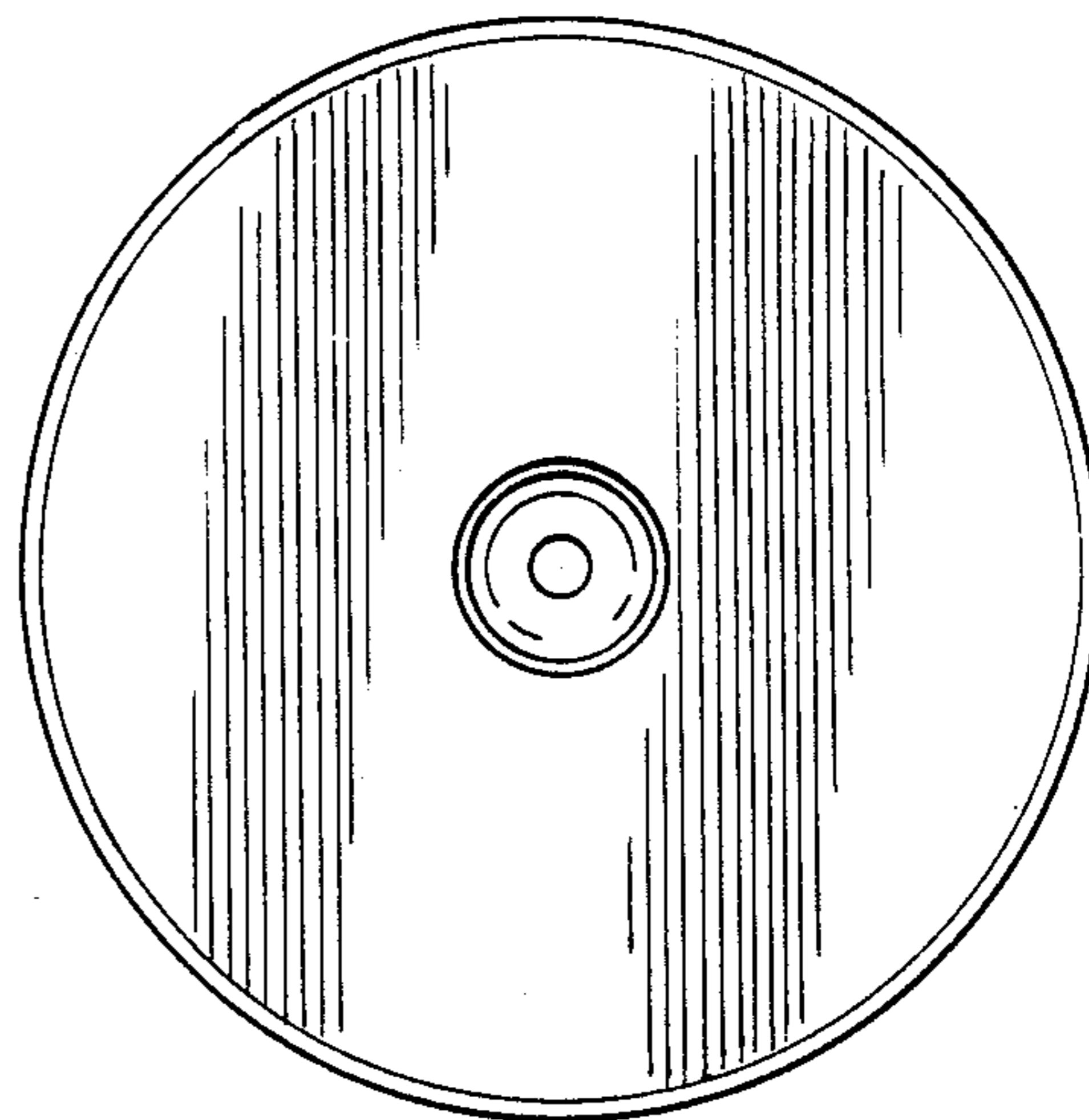


FIG. 4

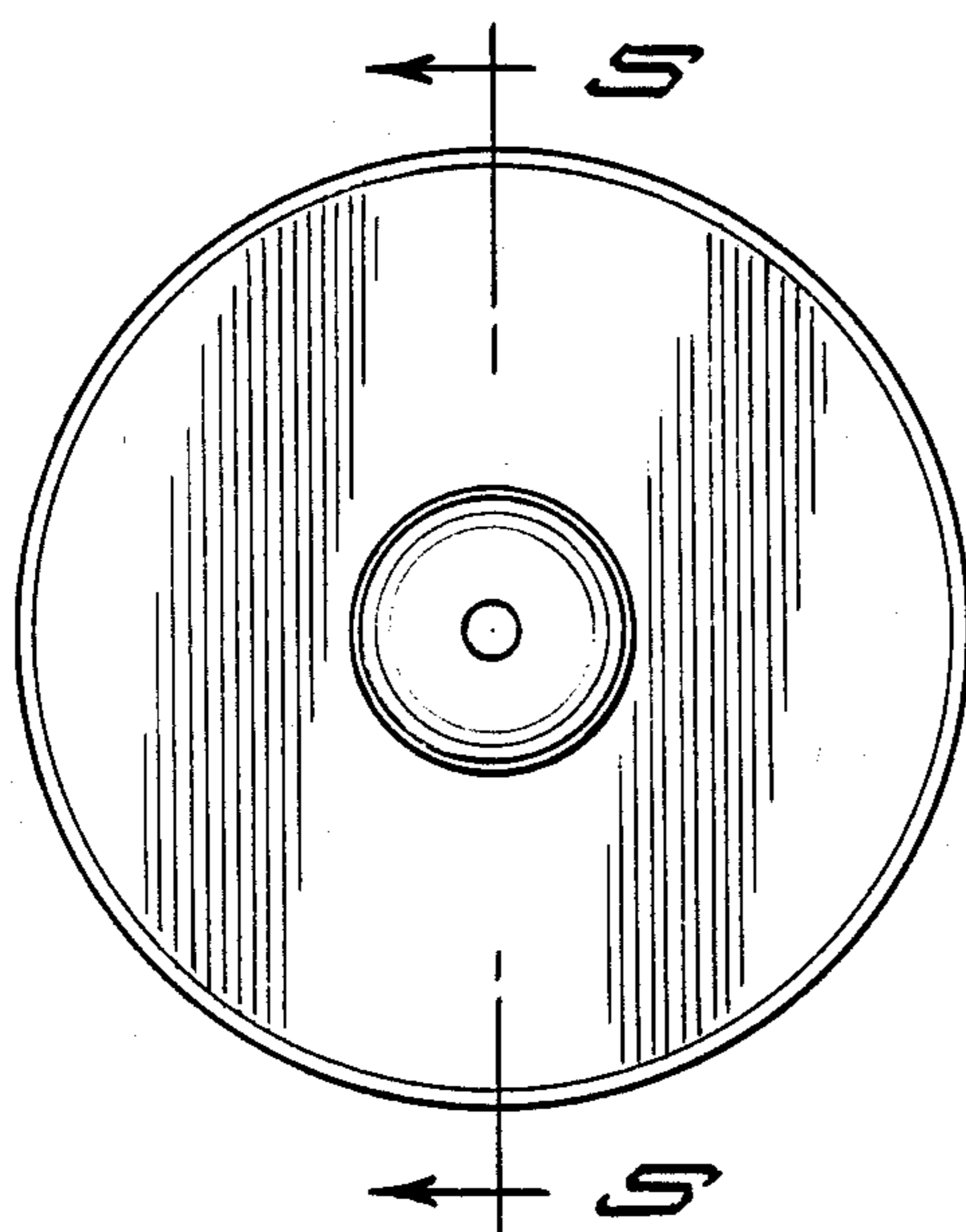


FIG. 2

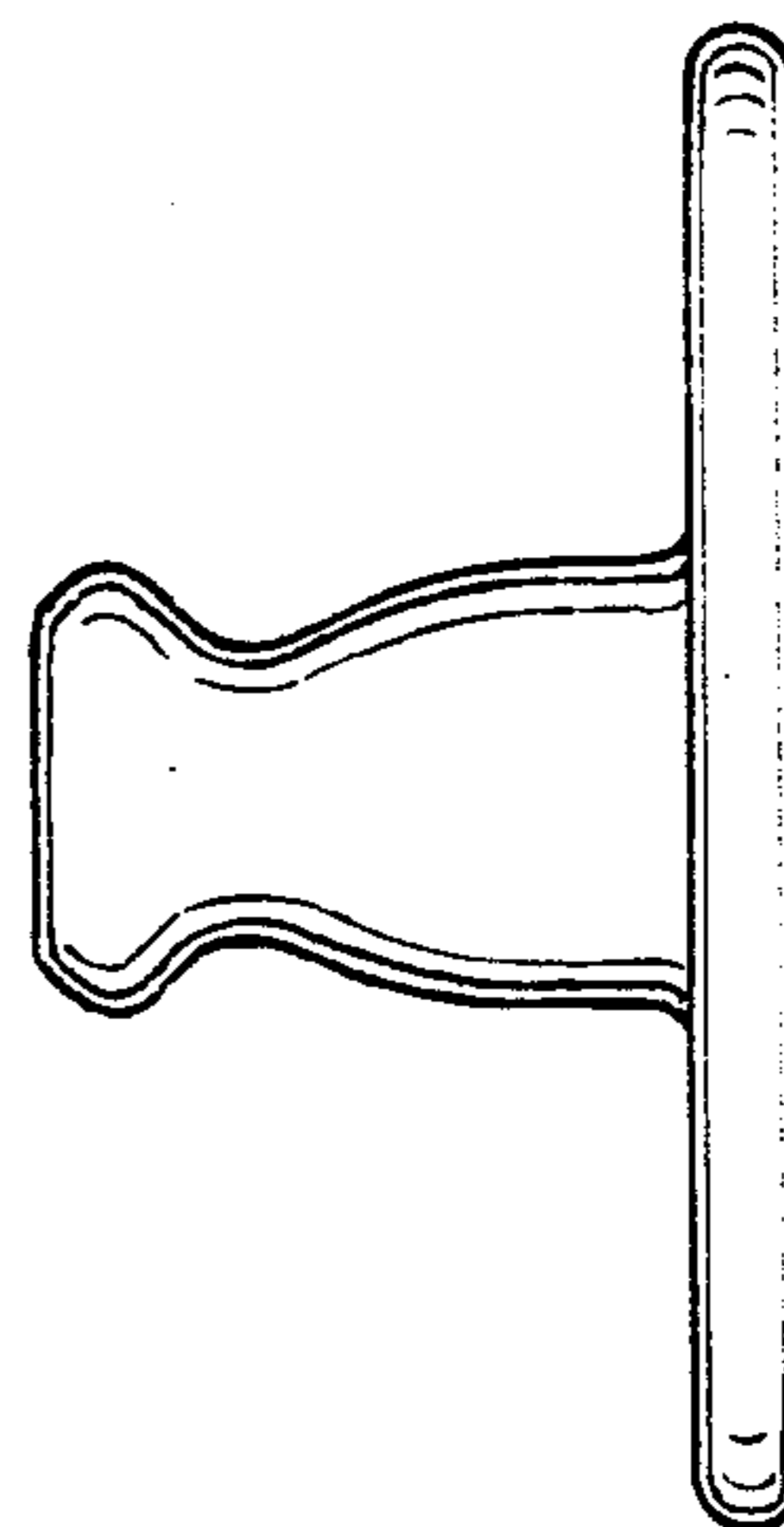


FIG. 3

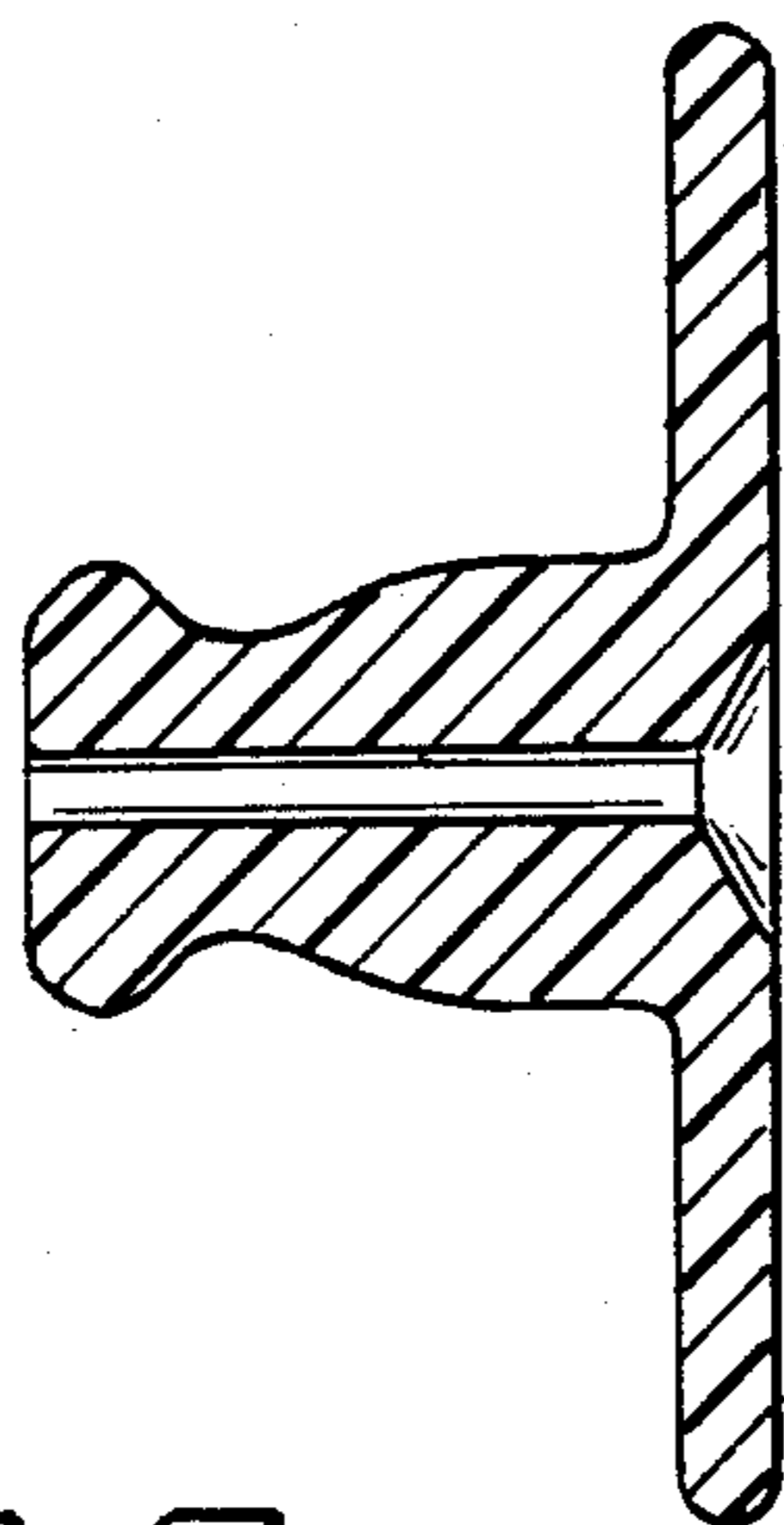


FIG. 5