

[54] KITCHEN SCALE

[75] Inventor: Rido Busse, Elchingen, Fed. Rep. of Germany

[73] Assignee: Soehnle-Waagen GmbH & Co., Murrhardt, Fed. Rep. of Germany

[**] Term: 14 Years

[21] Appl. No.: 847,023

[22] Filed: Mar. 27, 1986

[30] Foreign Application Priority Data

Oct. 2, 1985 [WO] World Int. Prop. O. DM/005922

[52] U.S. Cl. D10/91

[58] Field of Search D10/87-94; 177/239, 211, 25.19, 256, 262, 243, 25.15, 25.16

[56] References Cited

U.S. PATENT DOCUMENTS

D. 256,103	7/1980	Mox	D10/91
D. 265,467	7/1982	Perrier	D10/91
D. 269,600	7/1983	Mox	D10/91
4,602,693	7/1986	Racicot	177/262

OTHER PUBLICATIONS

Hardware Age-12/10/64-(p.) back cover-Scale at center (#41).

H.F.D.-1/15/79-Sec. 2-p. 42-Scale at top-left.

Hong Kong Enterprises-6/84-p. 31-Scales at top-center.

Hong Kong Enterprises-6/85-p. 17-Scales at bottom-left.

Primary Examiner-Nelson C. Holtje

Attorney, Agent, or Firm-Flynn, Thiel, Boutell & Tanis

[57] CLAIM

The ornamental designs for a kitchen scale, as shown and described.

DESCRIPTION

FIG. 1 is a top and left front perspective view of a kitchen scale showing my new design;

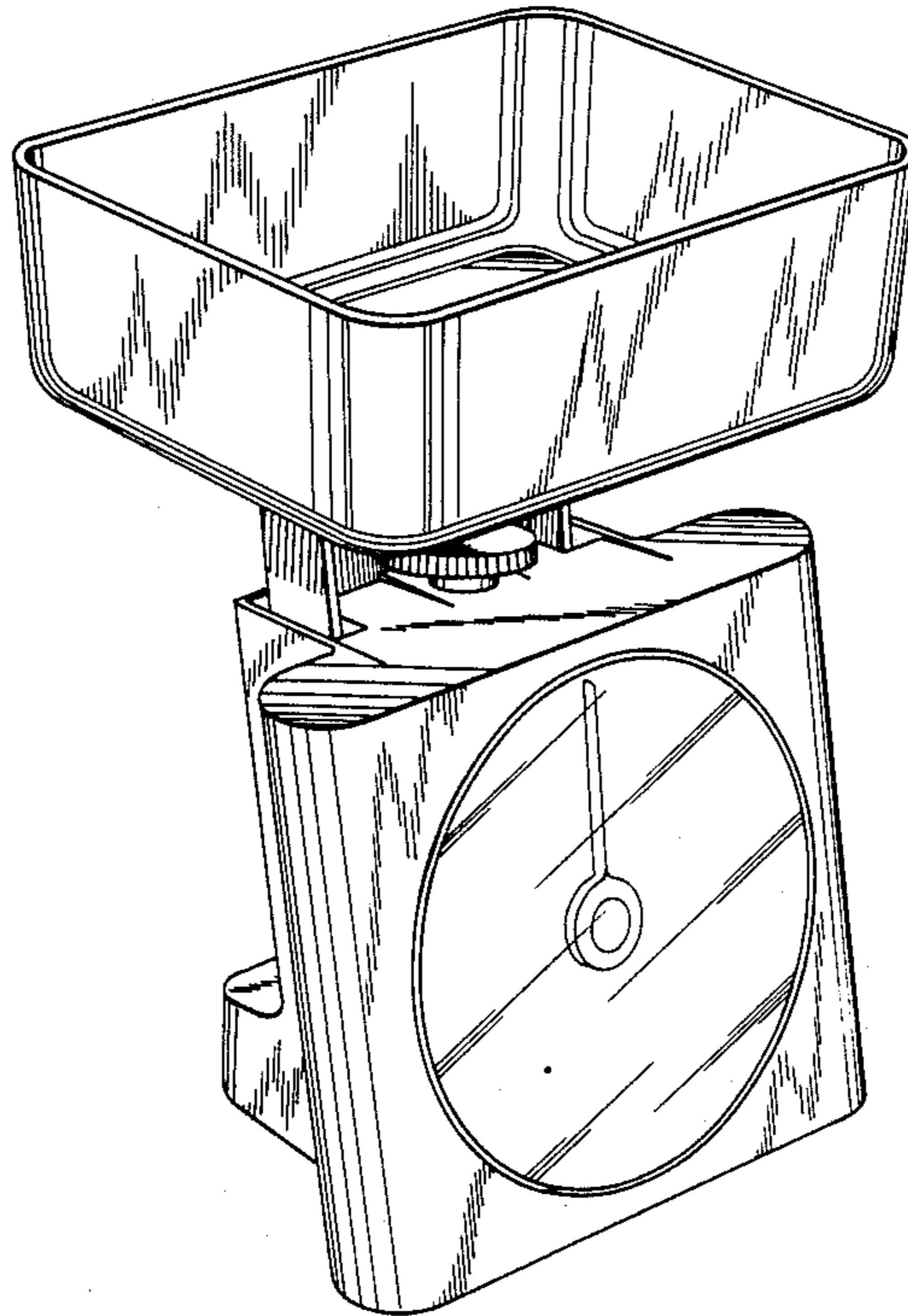
FIG. 2 is a top plan view thereof;

FIG. 3 is a right side elevational view thereof, the left side view being a mirror image of the right side view.

FIG. 4 is a front elevational view thereof;

FIG. 5 is a rear elevational view thereof; and

FIG. 6 is a bottom plan view thereof.



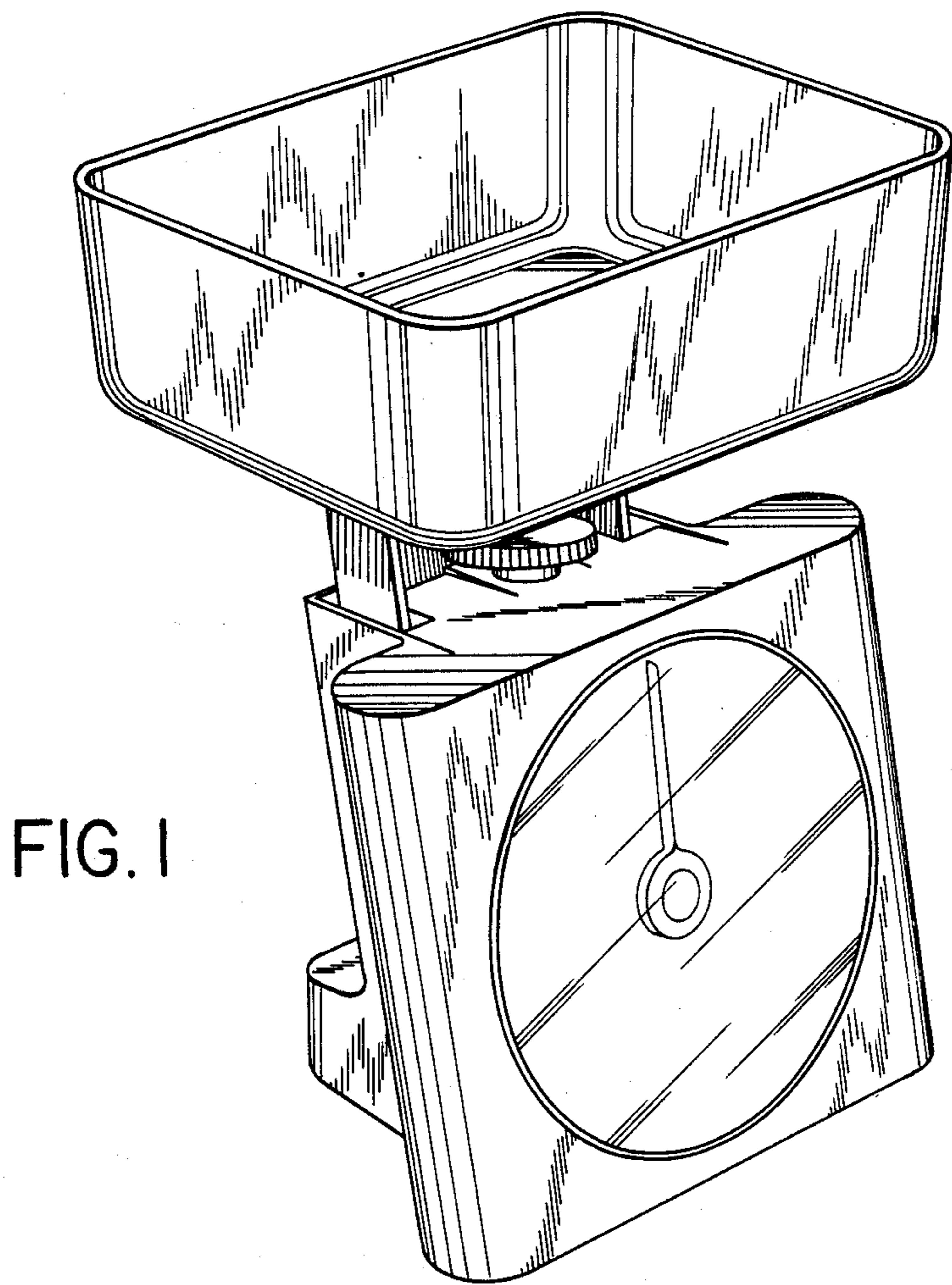


FIG. 1

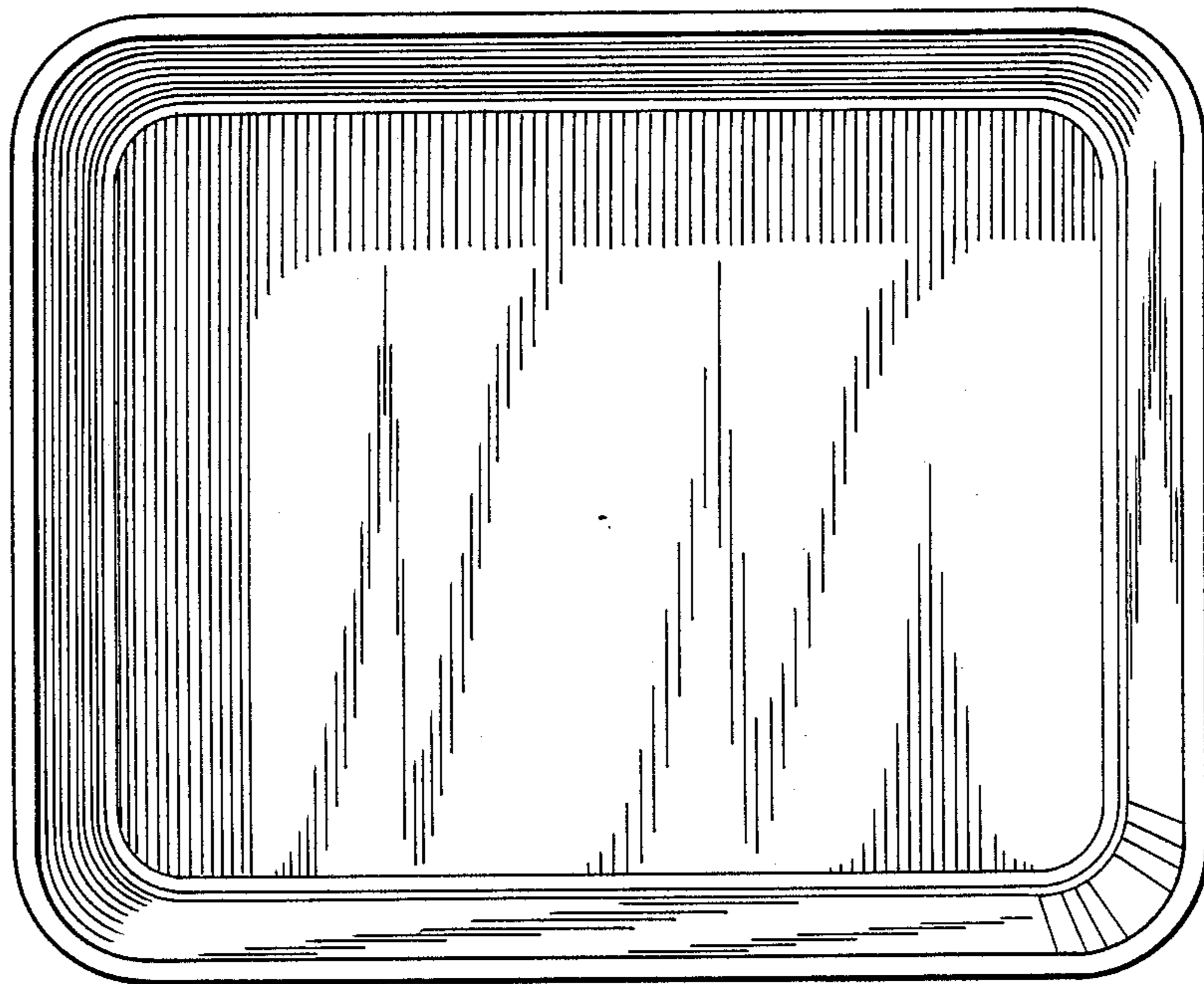


FIG. 2

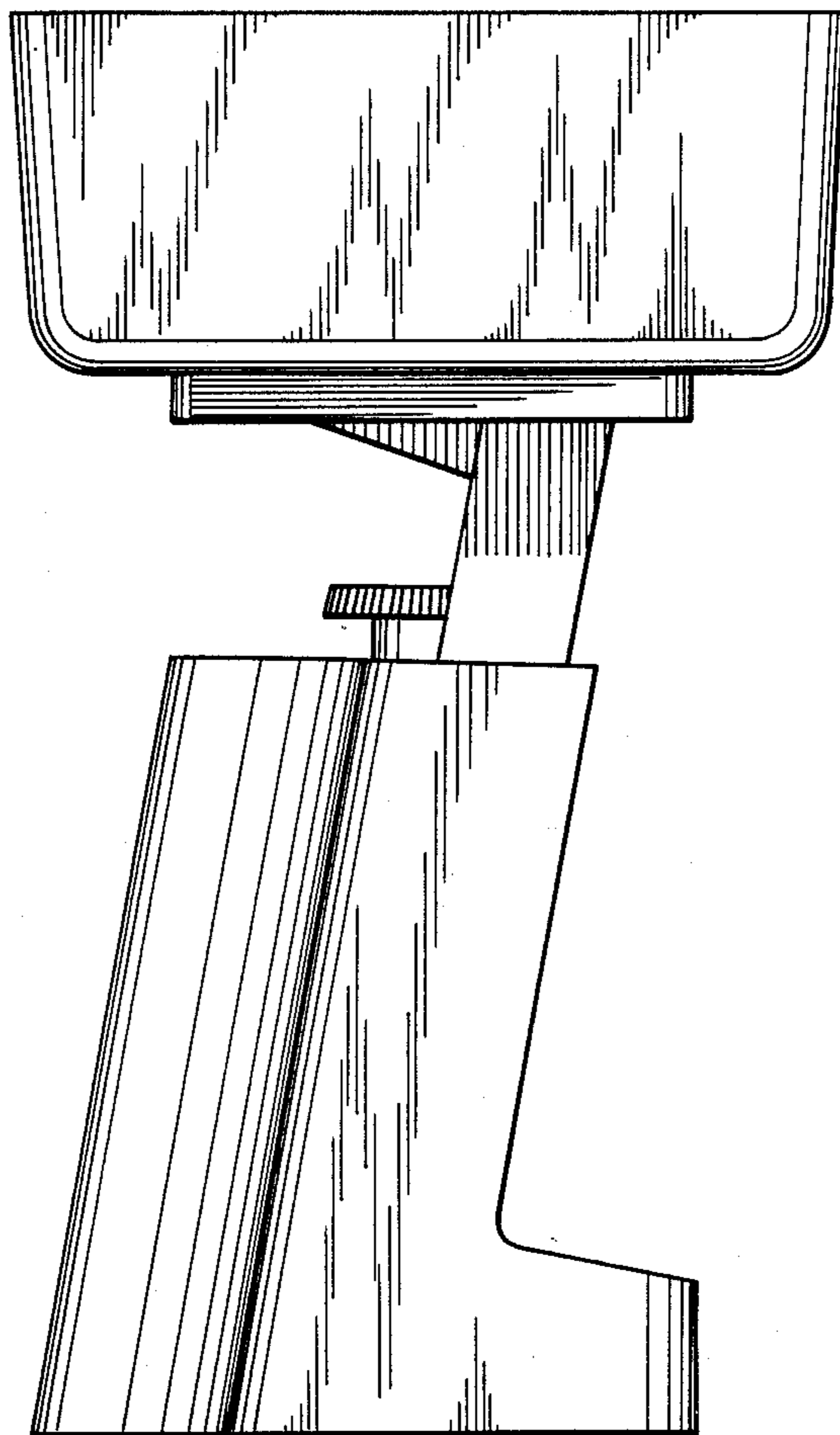


FIG. 3

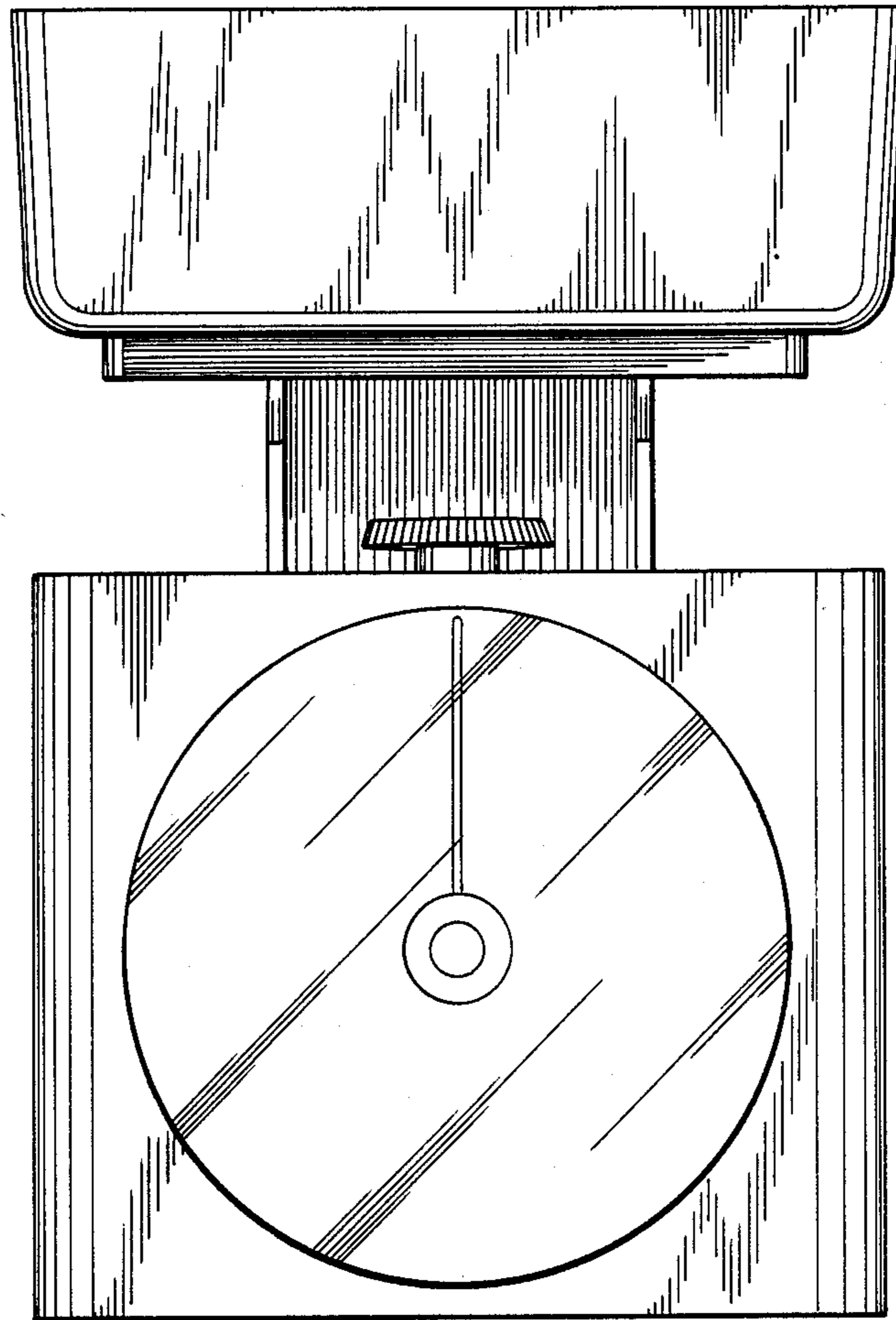


FIG. 4

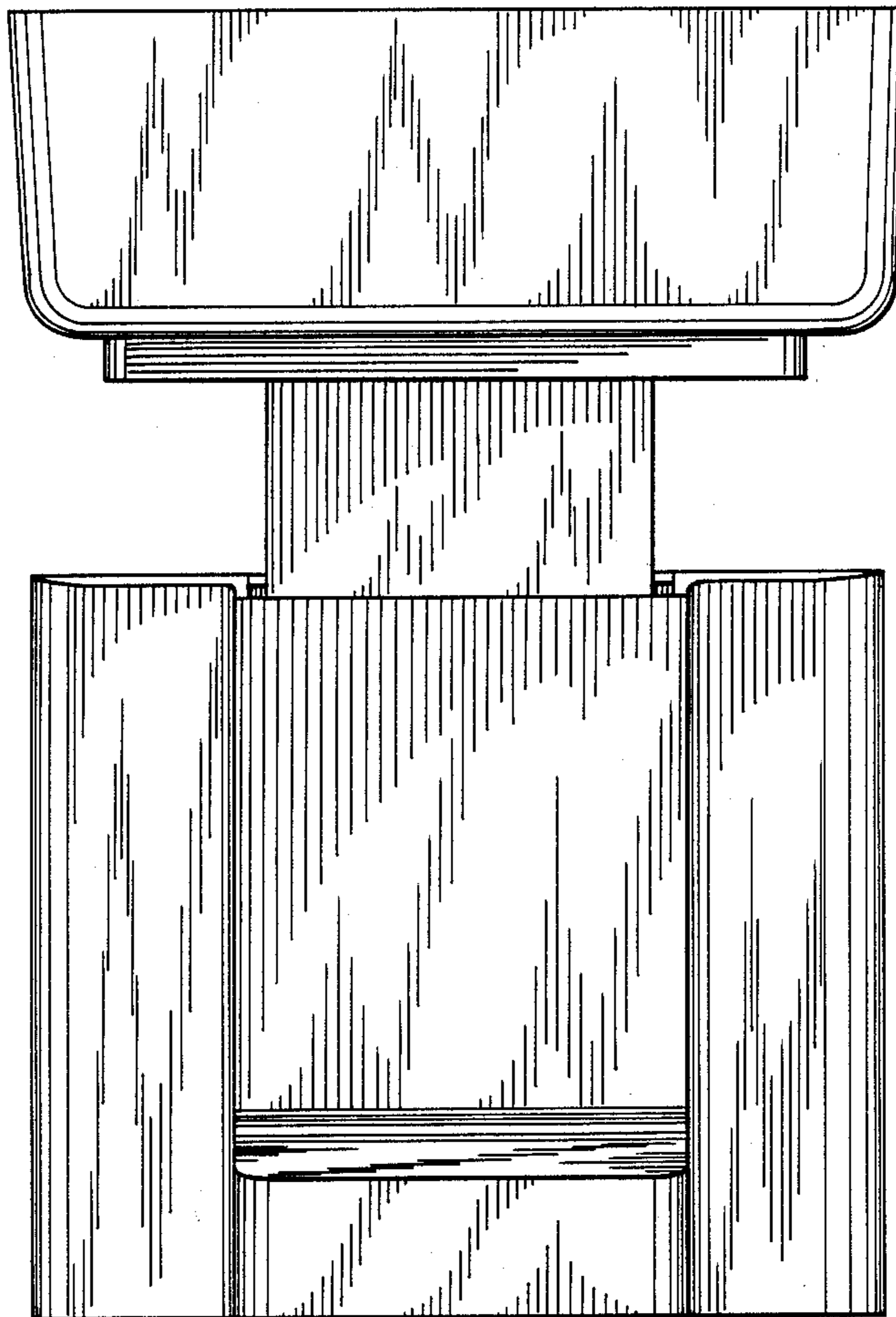


FIG. 5

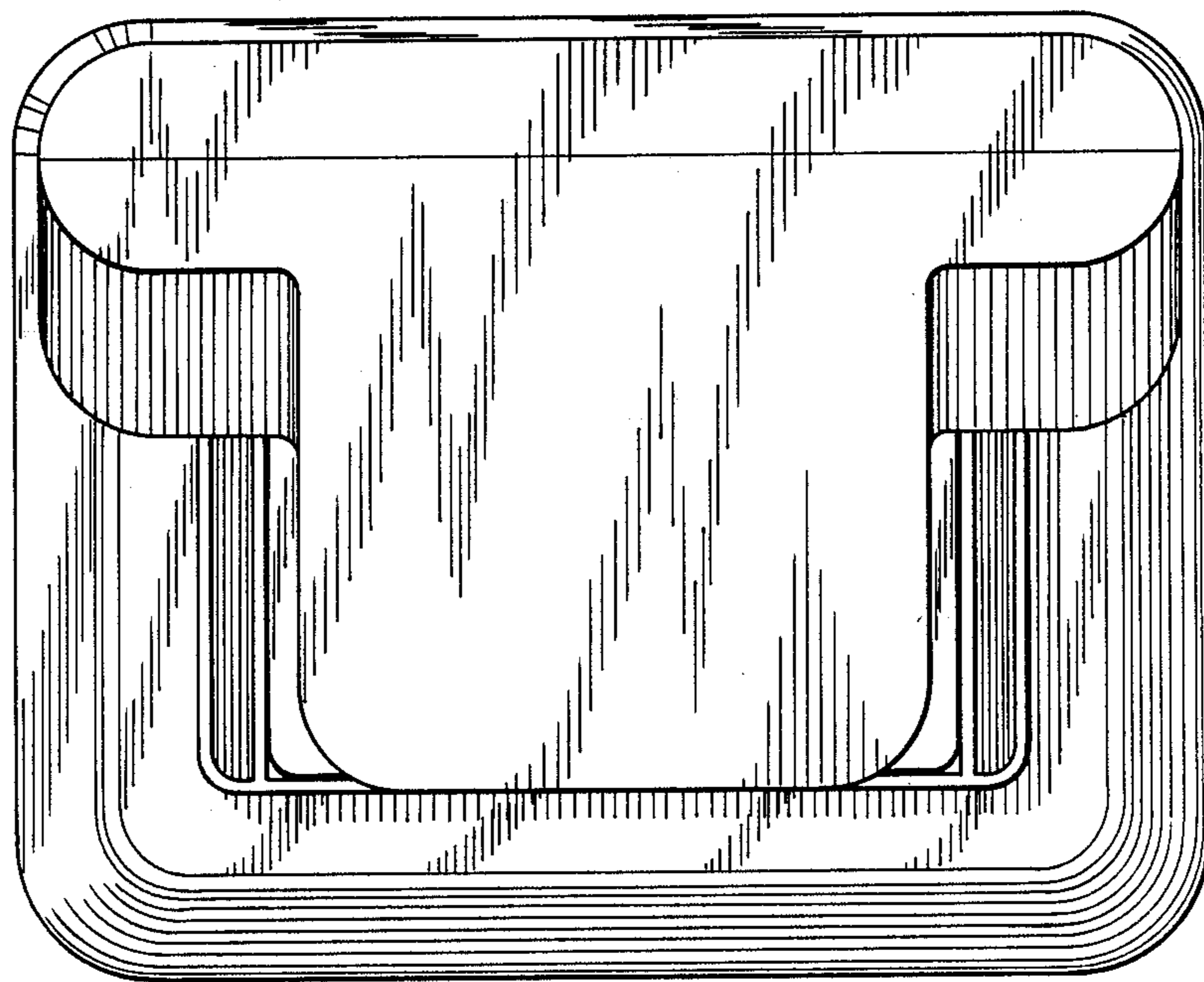


FIG. 6