

[54] ELECTROMECHANICAL PRESSURE DIFFERENTIAL GAUGE/SWITCH

3,162,173 12/1964 Morgan 73/431 X
3,844,442 10/1974 Puster 73/431 X

[75] Inventor: Kenneth C. Merrell, Brea, Calif.

Primary Examiner—Nelson C. Holtje
Attorney, Agent, or Firm—Menotti J. Lombardi

[73] Assignee: ITT Corporation, New York, N.Y.

[57] CLAIM

[**] Term: 14 Years

The ornamental design for an electromechanical pressure differential gauge/switch, as shown and described.

[21] Appl. No.: 852,879

DESCRIPTION

[22] Filed: Apr. 17, 1986

[52] U.S. Cl. D10/85; D10/102

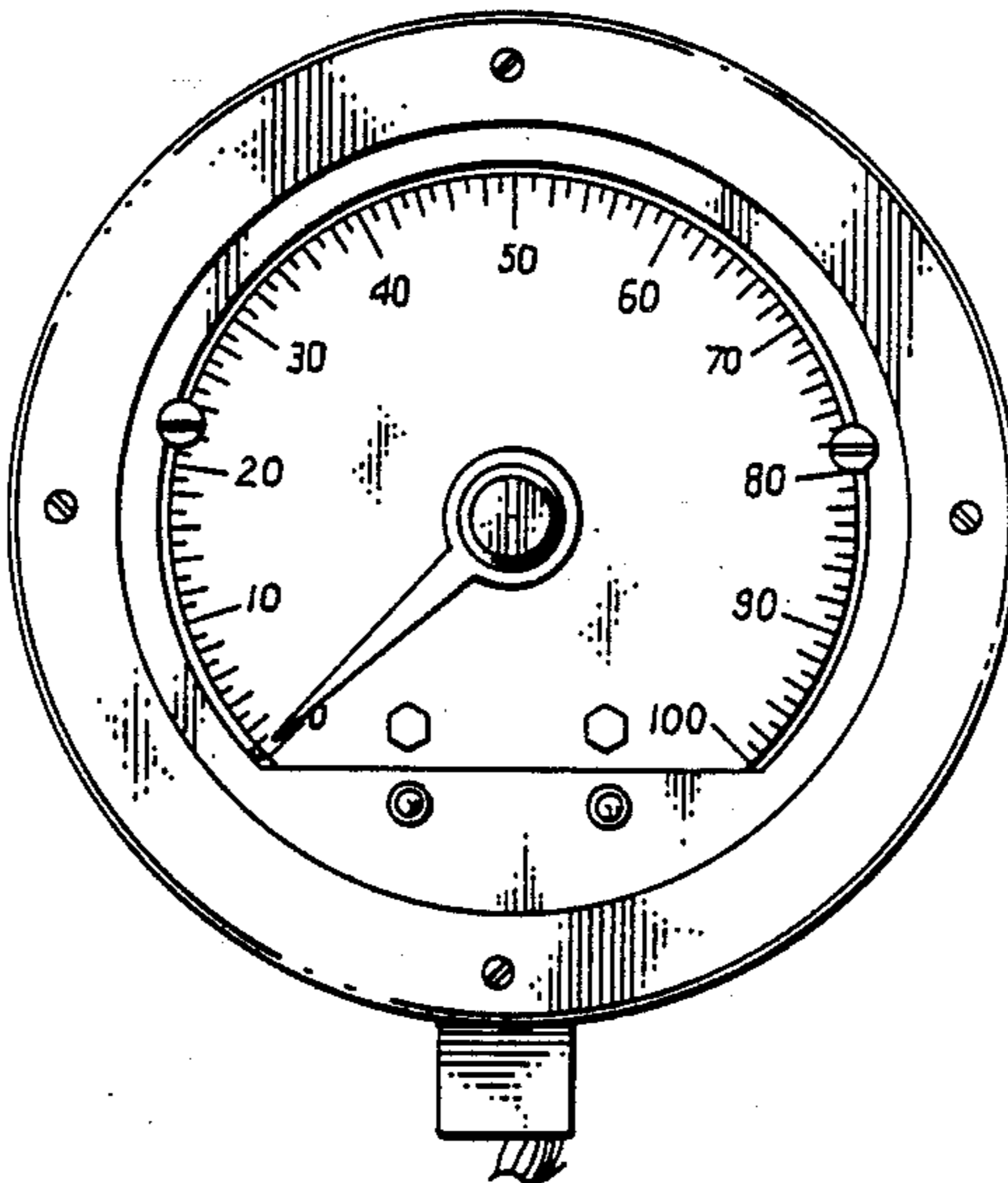
[58] Field of Search D10/85, 102, 103;
73/431, 717, 722, 756

FIG. 1 is a front elevational view of an electronic indicating switch showing my new design;
FIG. 2 is a right side elevational view thereof, the broken-line showings being environmental only and forms no part of the claimed design;
FIG. 3 is a bottom plan view thereof;
FIG. 4 is a rear side elevational view thereof;
FIG. 5 is a left side elevational view thereof; and
FIG. 6 is a top plan view thereof.

[56] References Cited

U.S. PATENT DOCUMENTS

- D. 253,690 12/1979 Bljumshtein D10/85
- D. 253,811 1/1980 Bljumshtein D10/85



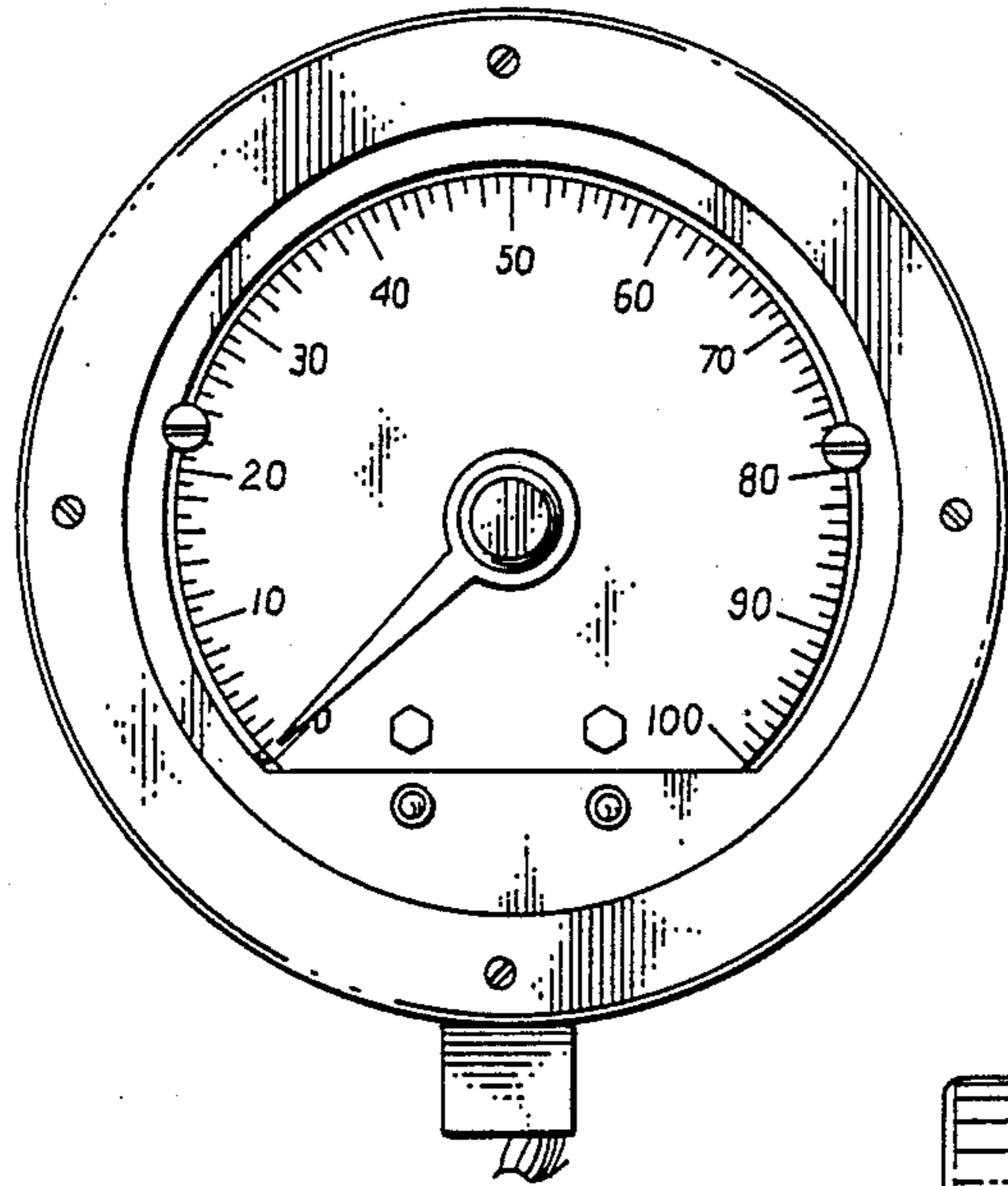


FIG. 1

FIG. 2

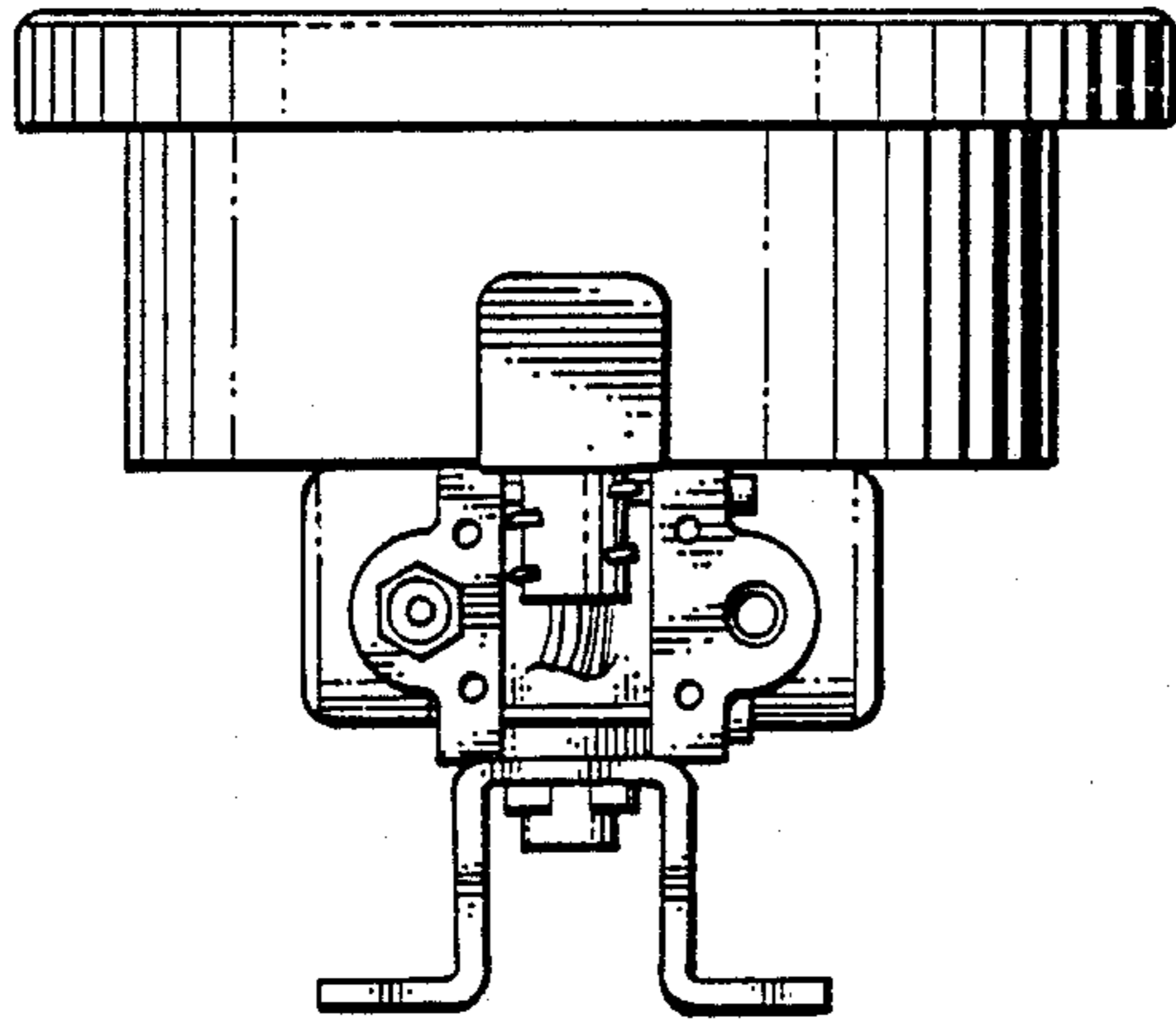
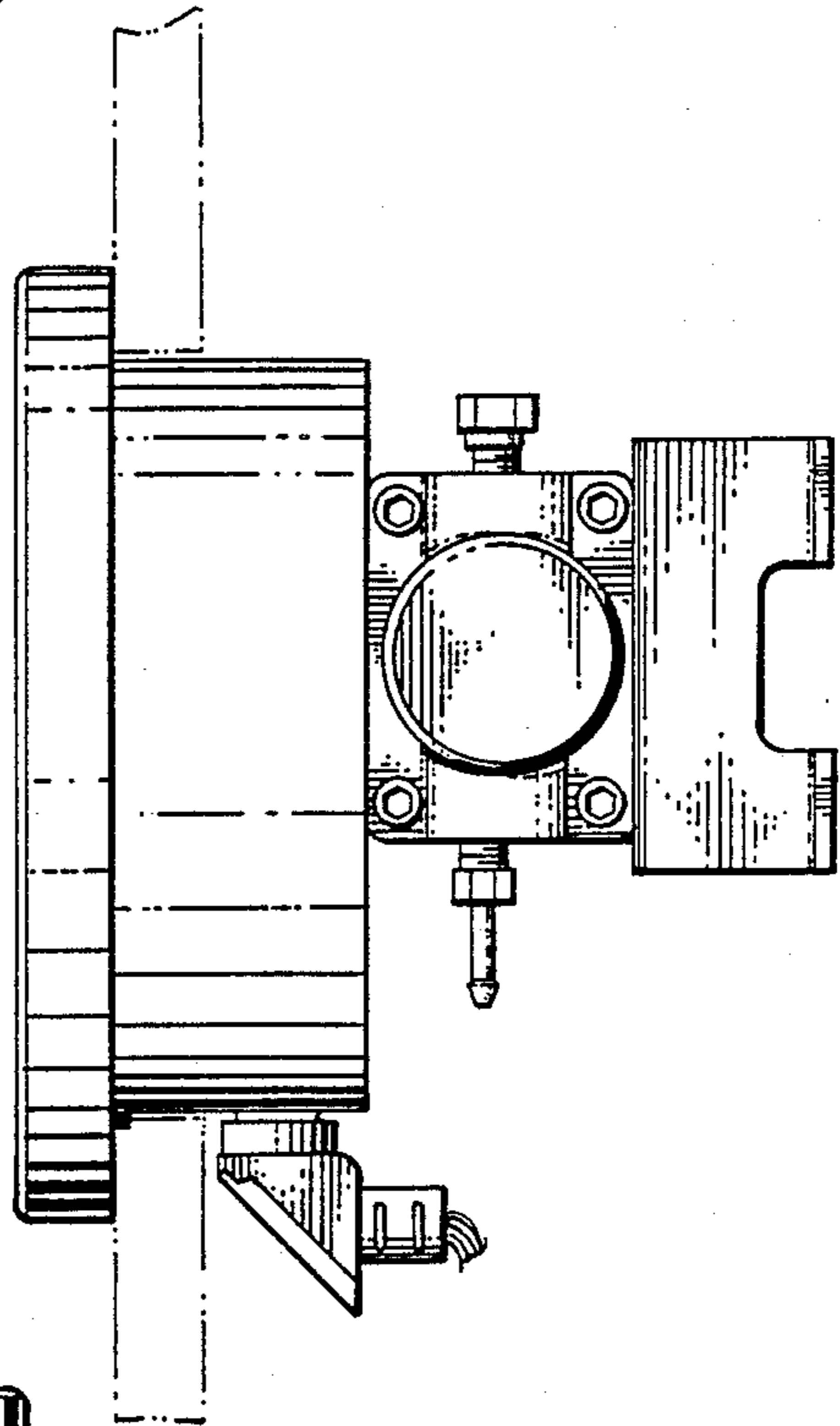


FIG. 3

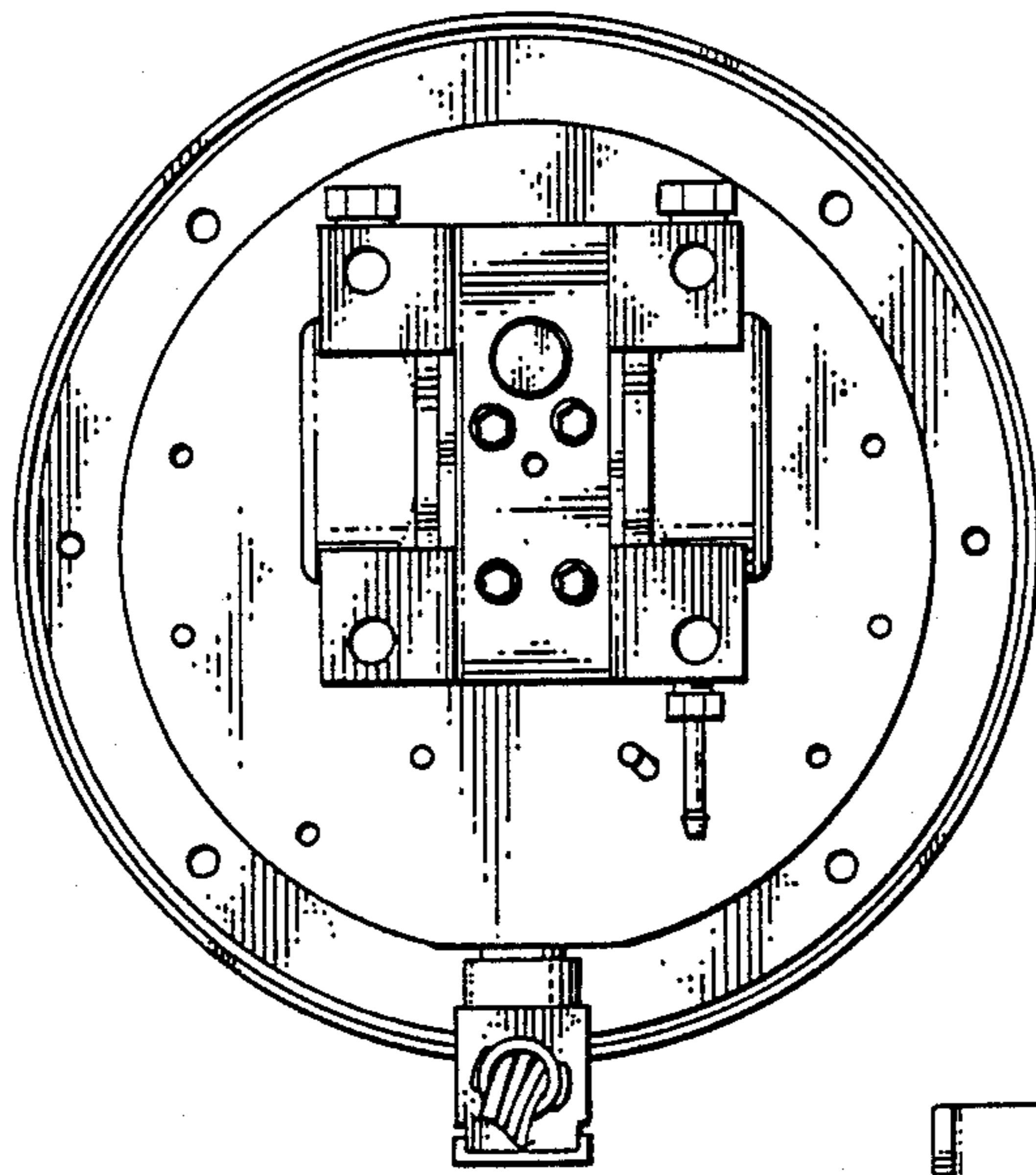


FIG. 4

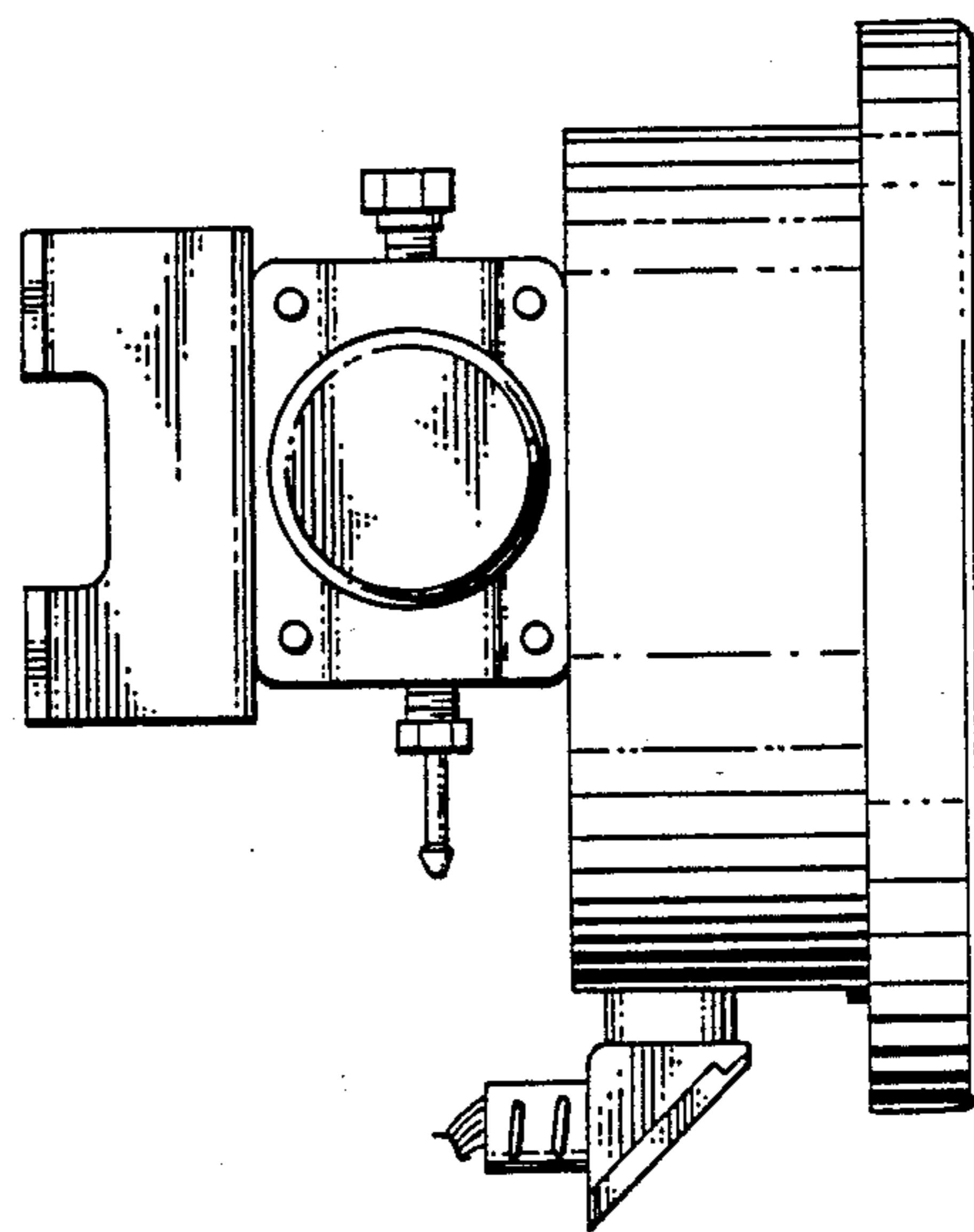


FIG. 5

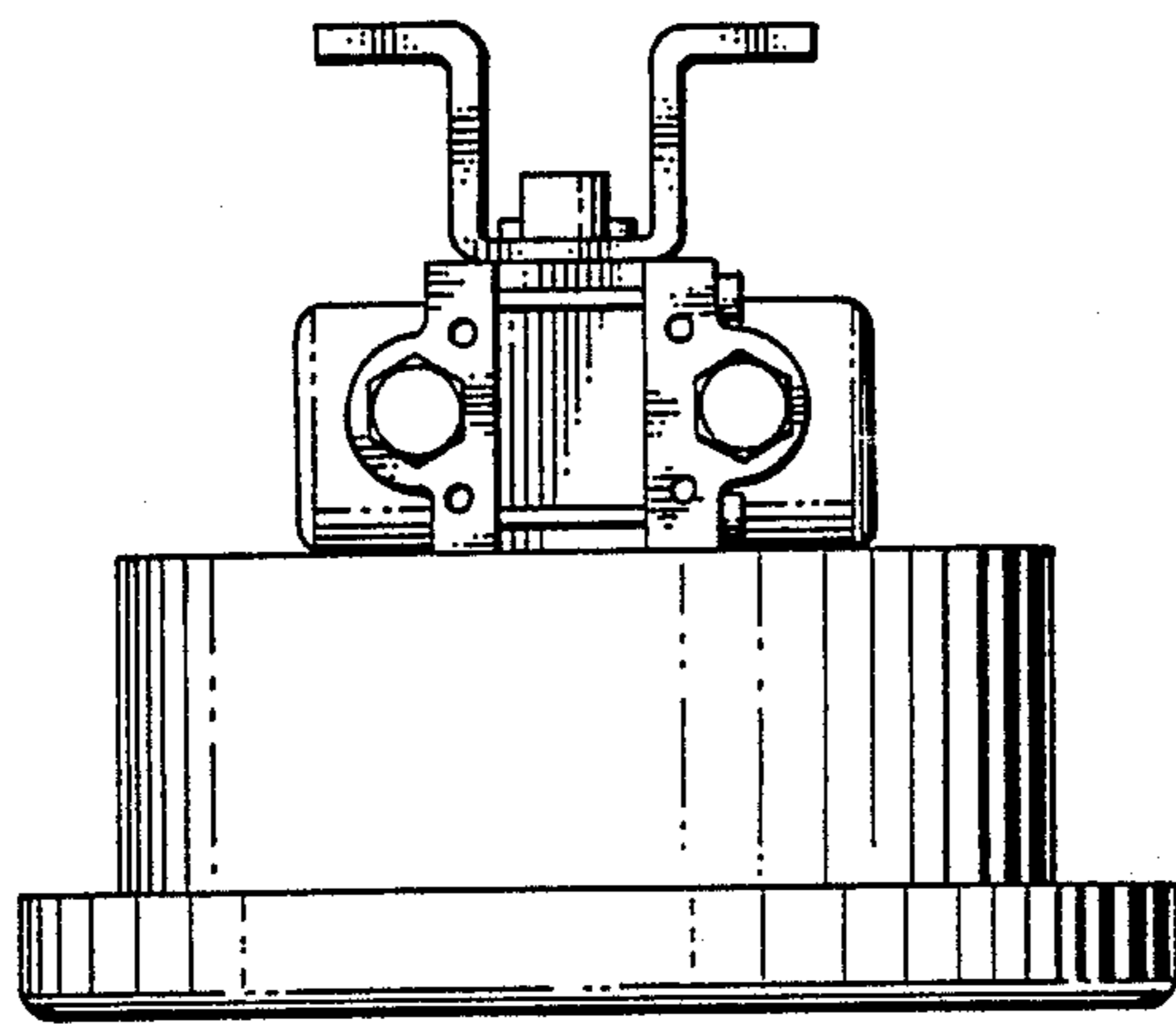


FIG. 6