

[54] DIVING METER

4,466,283 8/1984 Osterhout ..... 73/300  
4,753,117 6/1988 Osterhout ..... 73/301

[75] Inventor: Mark Faulconer, Costa Mesa, Calif.

Primary Examiner—Nelson C. Holtje  
Assistant Examiner—Caron D. Veynar  
Attorney, Agent, or Firm—George F. Bethel; Patience K. Bethel

[73] Assignee: U.S.D. Corp., Santa Ana, Calif.

[\*\*] Term: 14 Years

[21] Appl. No.: 947,473

[57] CLAIM

The ornamental design for a diving meter, as shown and described.

[22] Filed: Dec. 23, 1986

[52] U.S. Cl. .... D10/70; 73/300

[58] Field of Search ..... D10/46, 101, 102, 85,  
D10/124, 125; 73/299, 300, 301

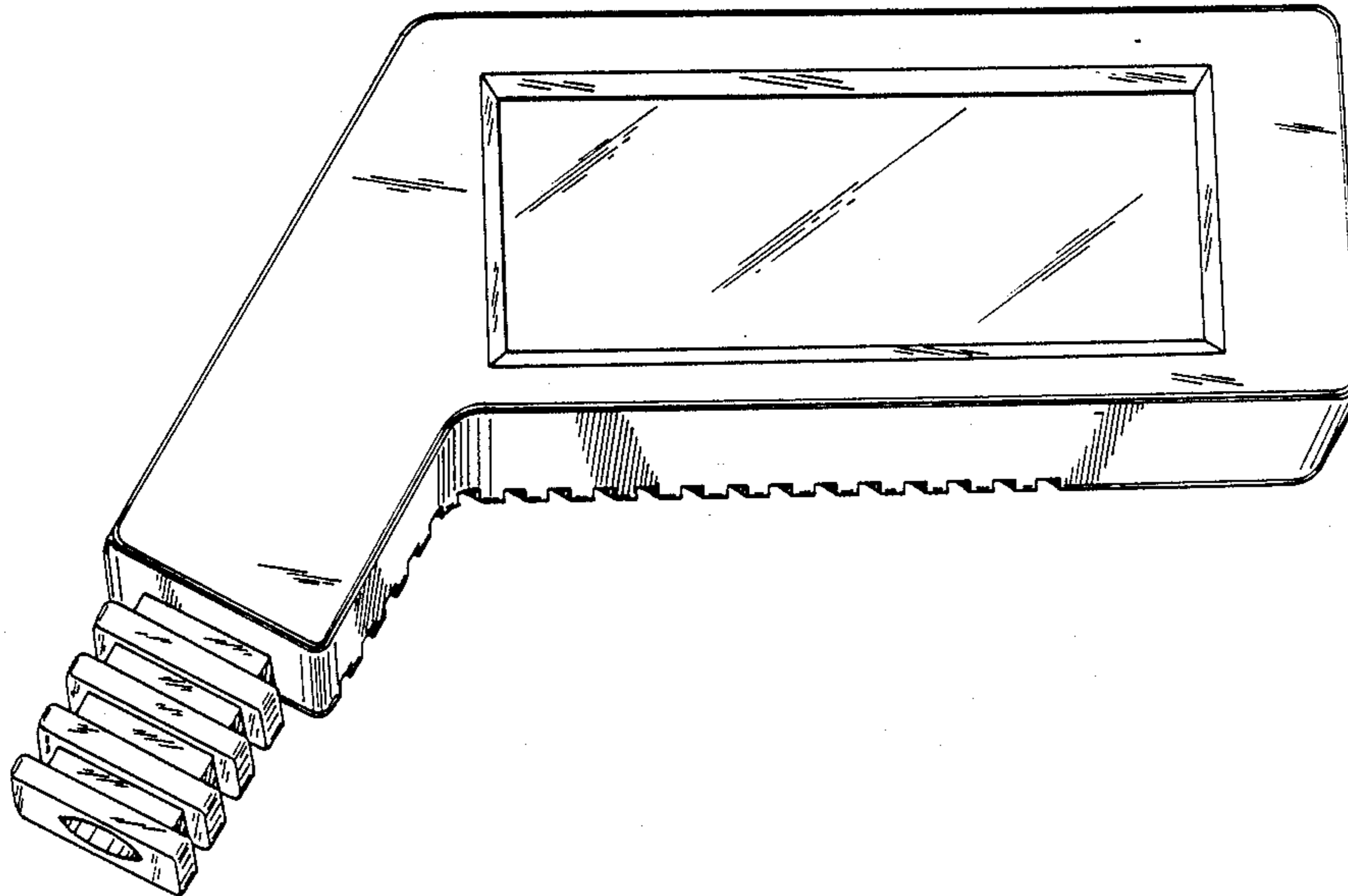
DESCRIPTION

FIG. 1 is a perspective view of a diving meter showing my new design;  
FIG. 2 is a rear elevational view thereof;  
FIG. 3 is a right side elevational view thereof;  
FIG. 4 is a front elevational view thereof;  
FIG. 5 is a left side elevational view thereof;  
FIG. 6 is a bottom plan view thereof.

[56] References Cited

U.S. PATENT DOCUMENTS

D. 289,384 4/1987 Faulconer ..... D10/85  
D. 289,505 4/1987 Faulconer ..... D10/85  
4,352,168 9/1982 Anderson ..... 73/300



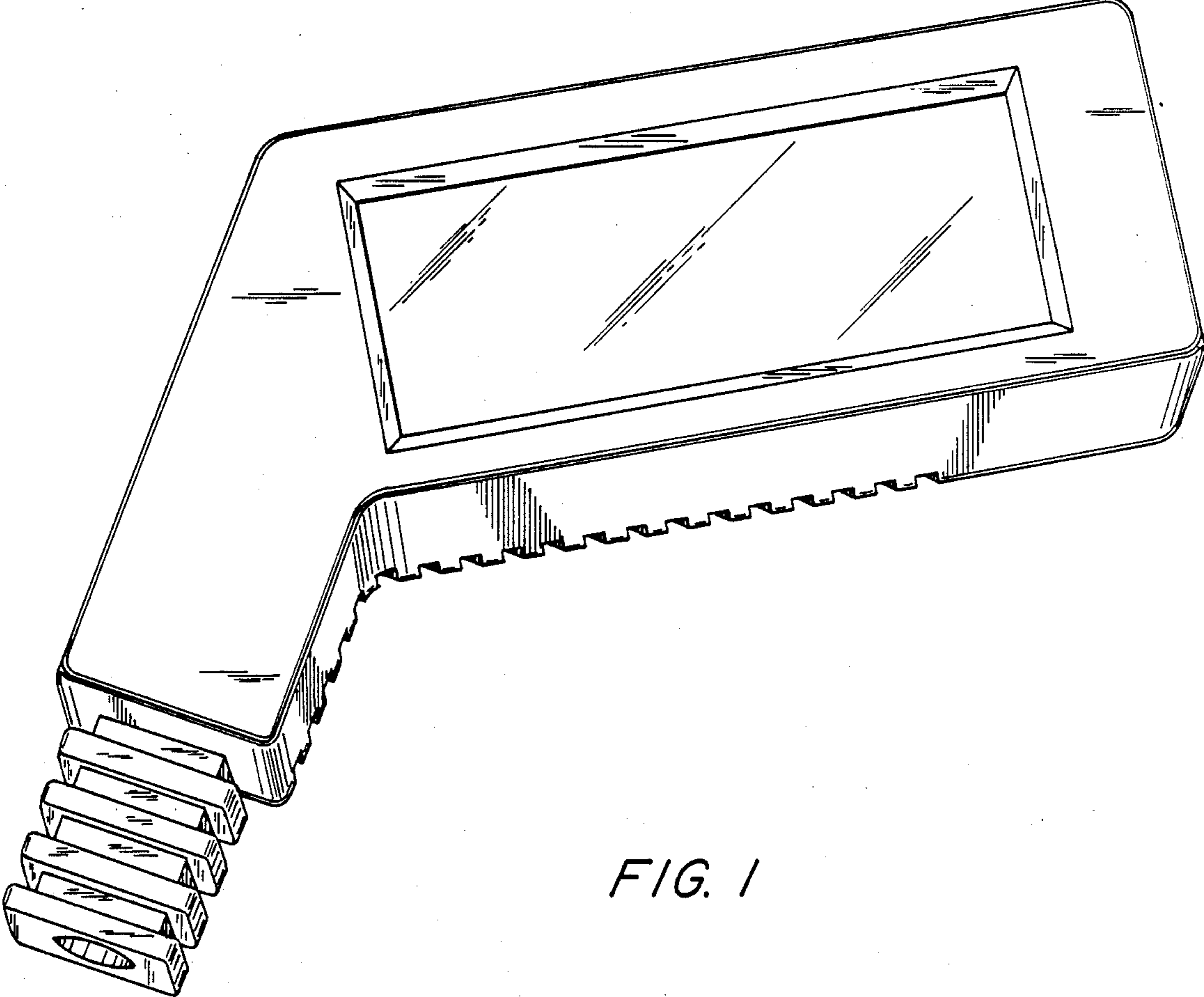


FIG. 1



FIG. 2

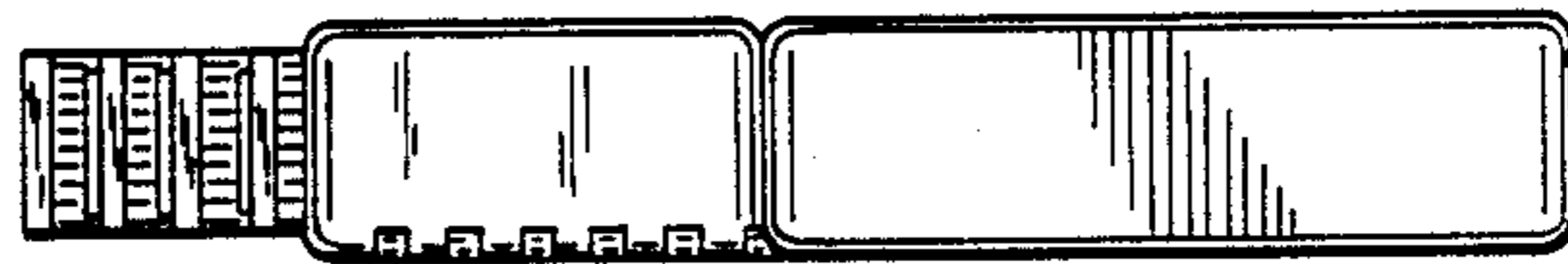


FIG. 3

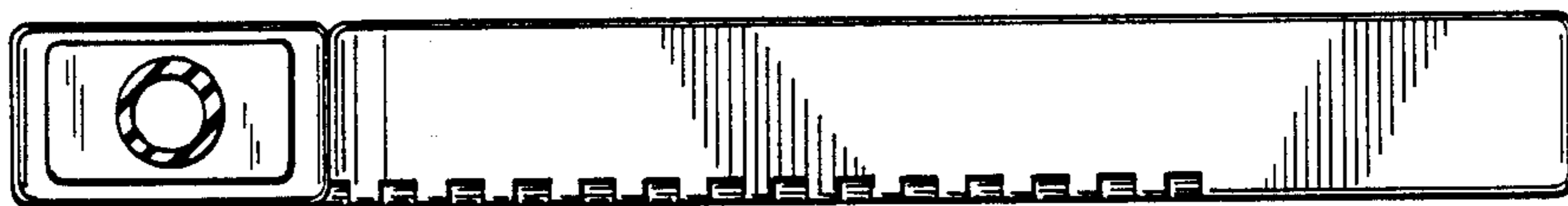


FIG. 4



FIG. 5

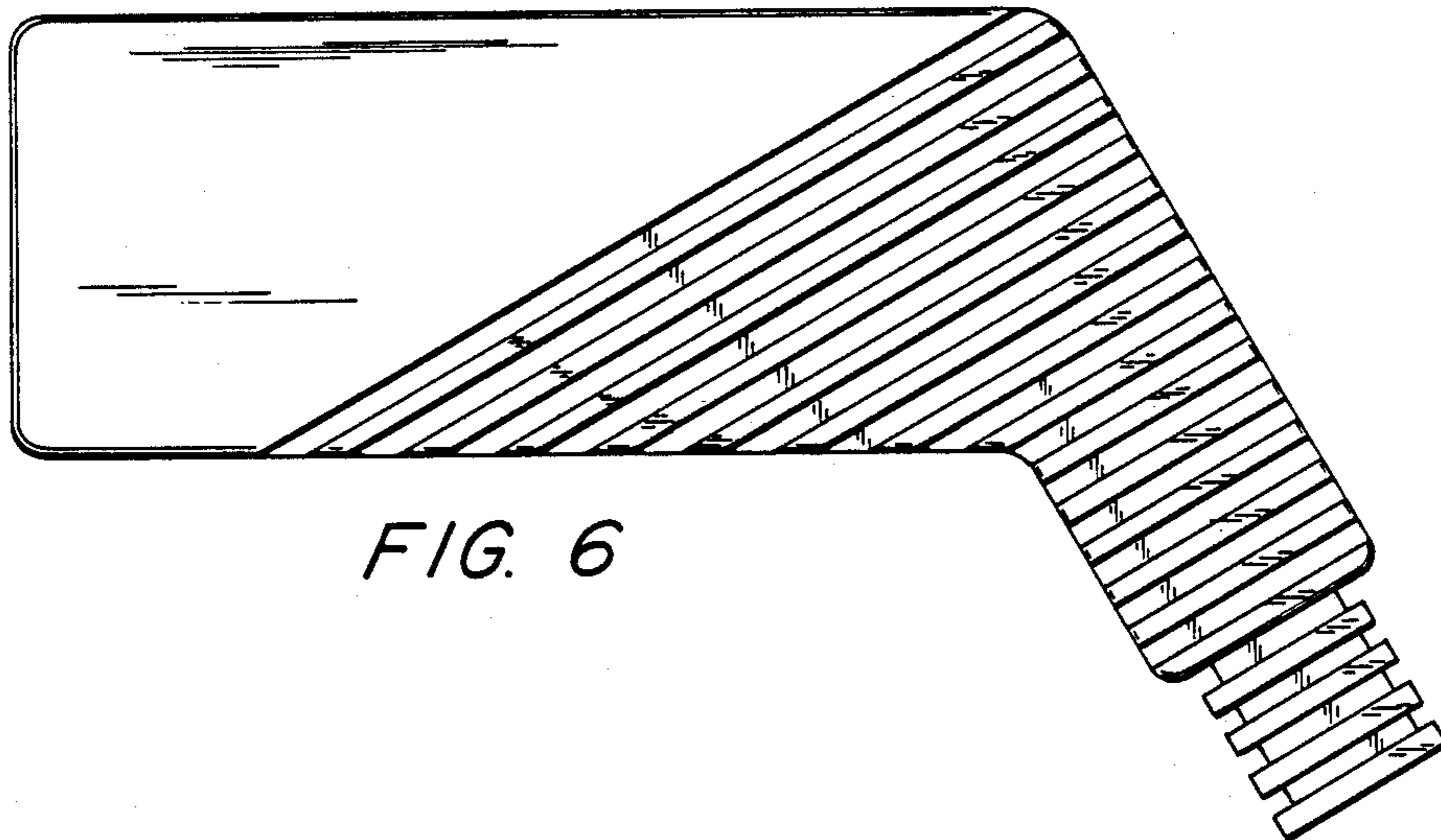


FIG. 6