

[54] COORDINATE MEASURING MACHINE

[75] Inventors: Ladd J. Orr; John J. Tuss, both of Englewood, Ohio

[73] Assignee: The Warner & Swasey Company, Cleveland, Ohio

[**] Term: 14 Years

[21] Appl. No.: 887,662

[22] Filed: Jul. 21, 1986

[52] U.S. Cl. D10/46; 33/503

[58] Field of Search D10/46, 61, 62, 64, D10/65, 70; 33/503, 504, 505, 1 M

[56] References Cited

U.S. PATENT DOCUMENTS

- D. 197,484 2/1964 Pettavel D10/70
- D. 202,127 8/1965 De Phillips D10/46
- D. 223,174 3/1972 Pettavel D10/46

- D. 261,624 11/1981 Fukano et al. D10/46
- D. 262,950 2/1982 Orr, II D10/46
- 3,509,635 7/1966 Meinke 33/503
- 4,495,703 1/1985 Sakata et al. 33/503
- 4,630,374 12/1986 Raleigh 33/1 M

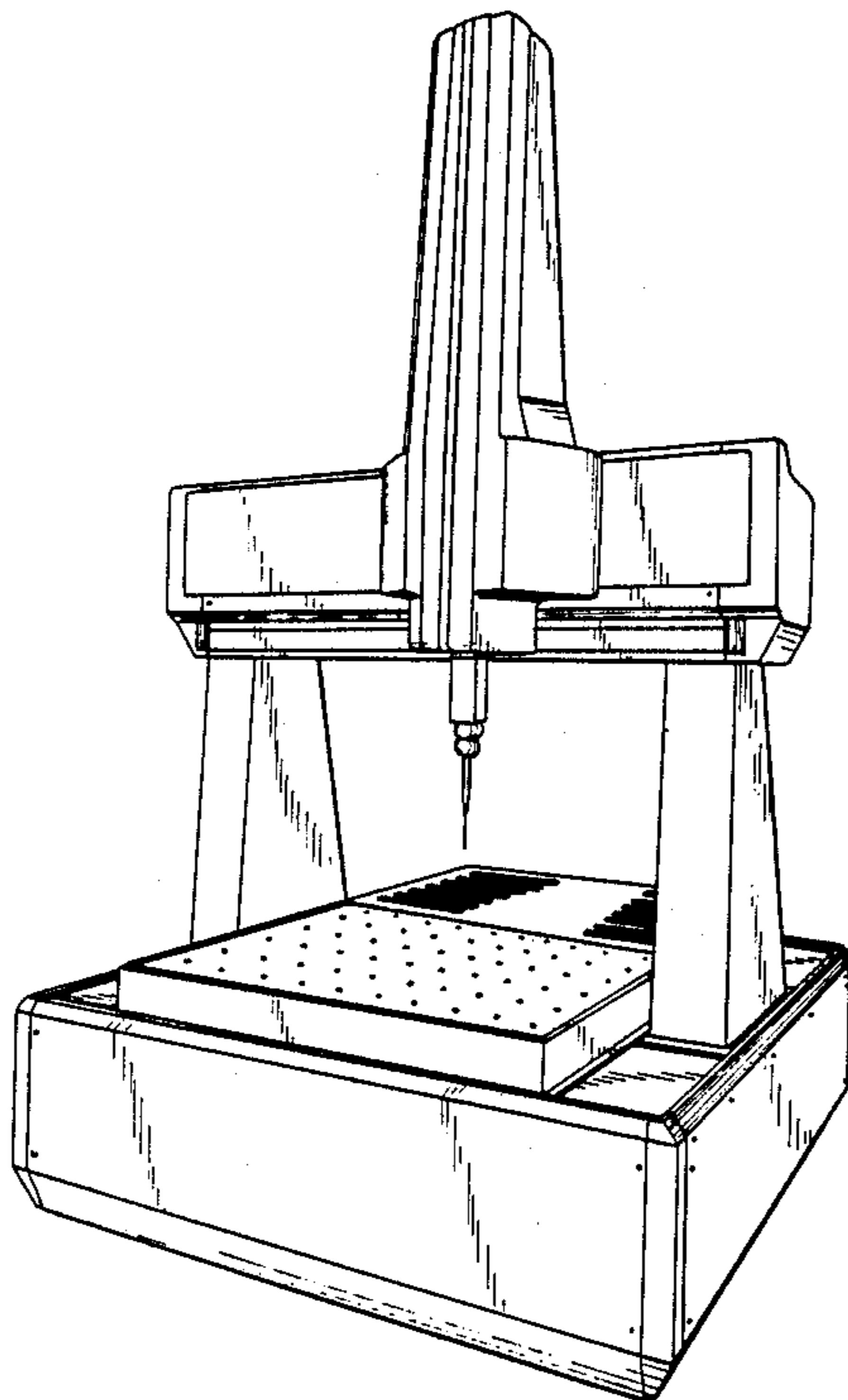
Primary Examiner—Nelson C. Holtje
Assistant Examiner—Caron D. Veynar
Attorney, Agent, or Firm—Raymond J. Eifler

[57] CLAIM

The ornamental design for a coordinate measuring machine, as shown.

DESCRIPTION

FIG. 1 is a front perspective view of a coordinate measuring machine showing our new design; FIG. 2 is a front elevational view thereof; FIG. 3 is a left side elevational view thereof, the right side elevational view being a mirror image thereof; FIG. 4 is a top plan view thereof; FIG. 5 is a rear elevational view thereof.



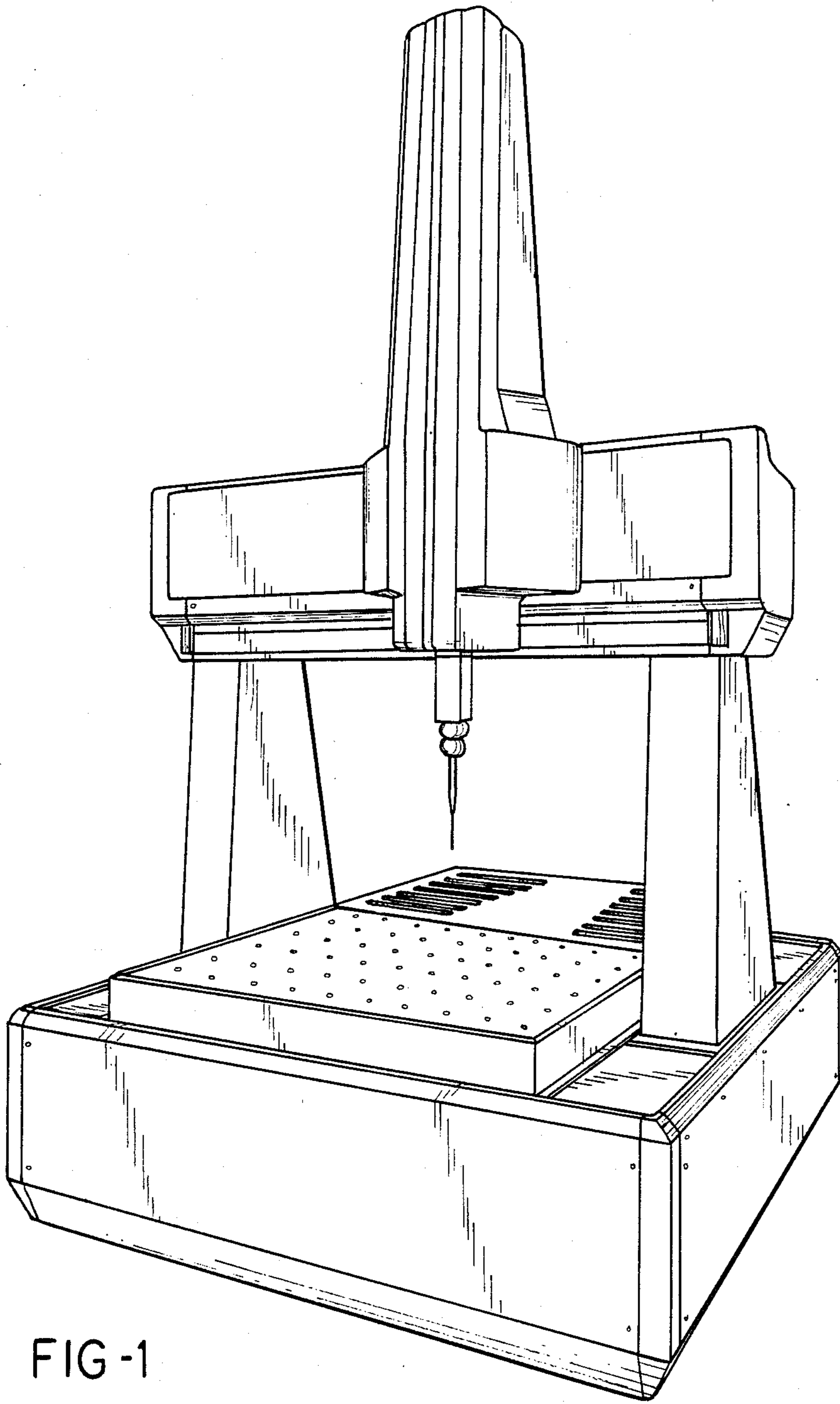


FIG-1

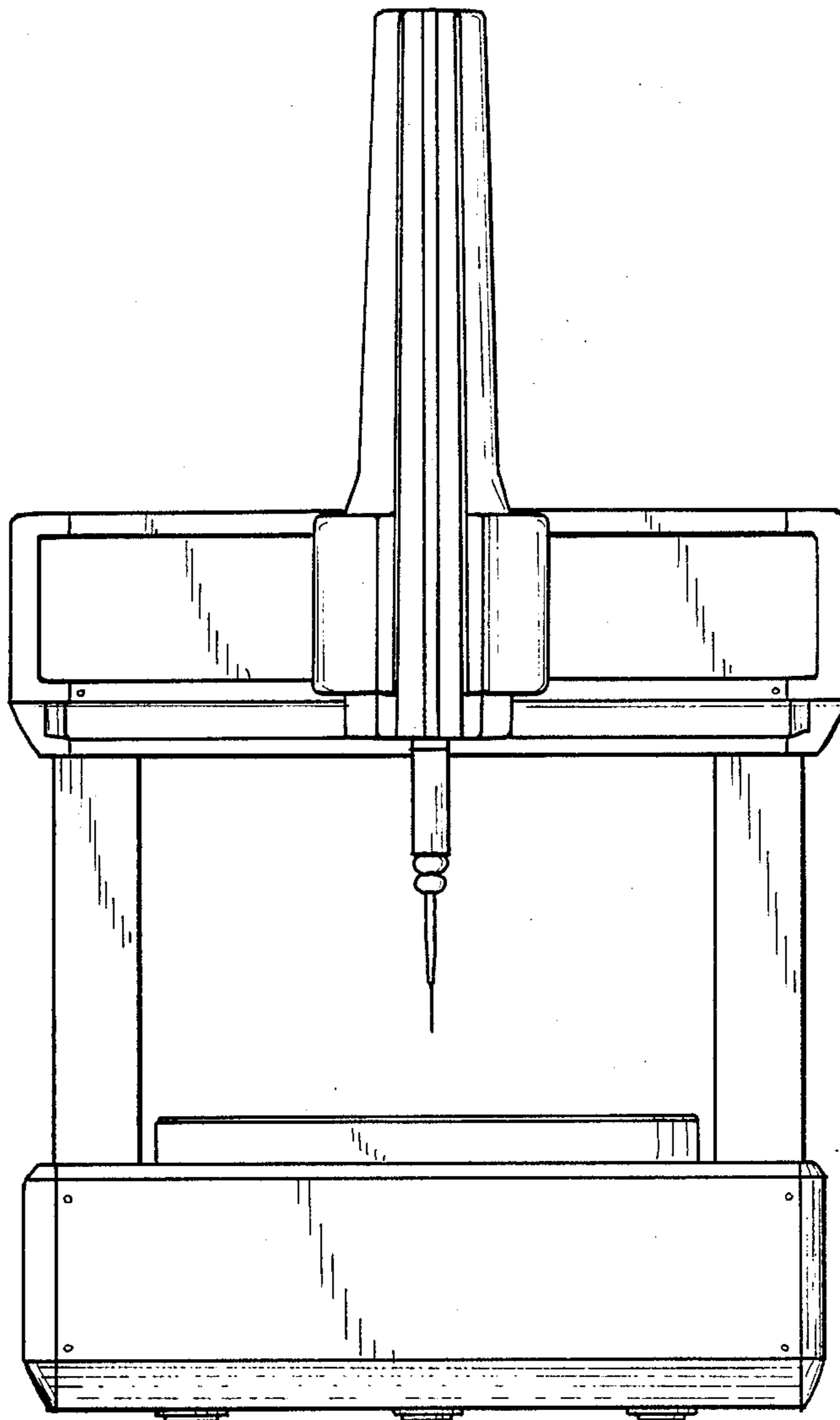


FIG - 2

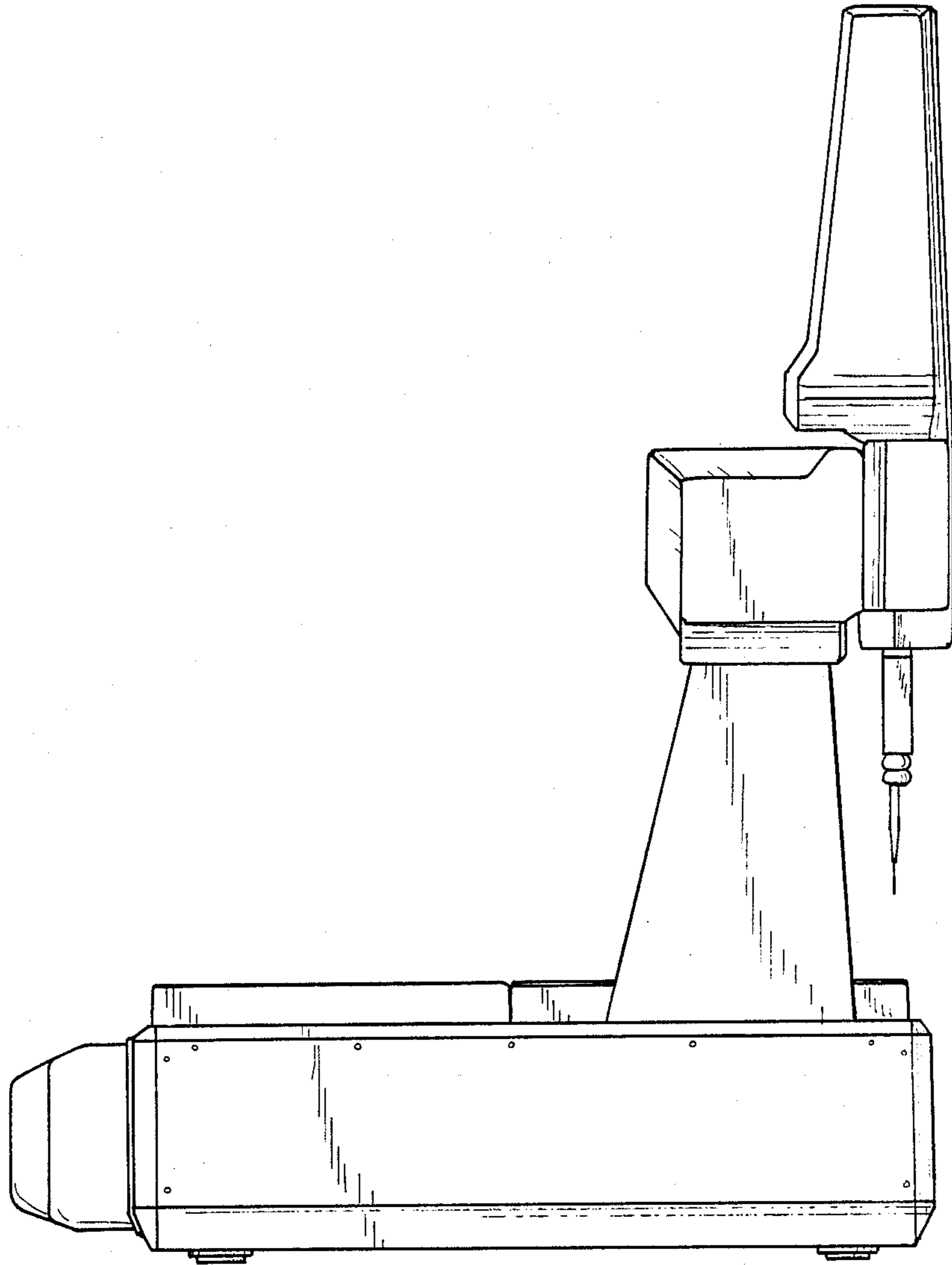


FIG-3

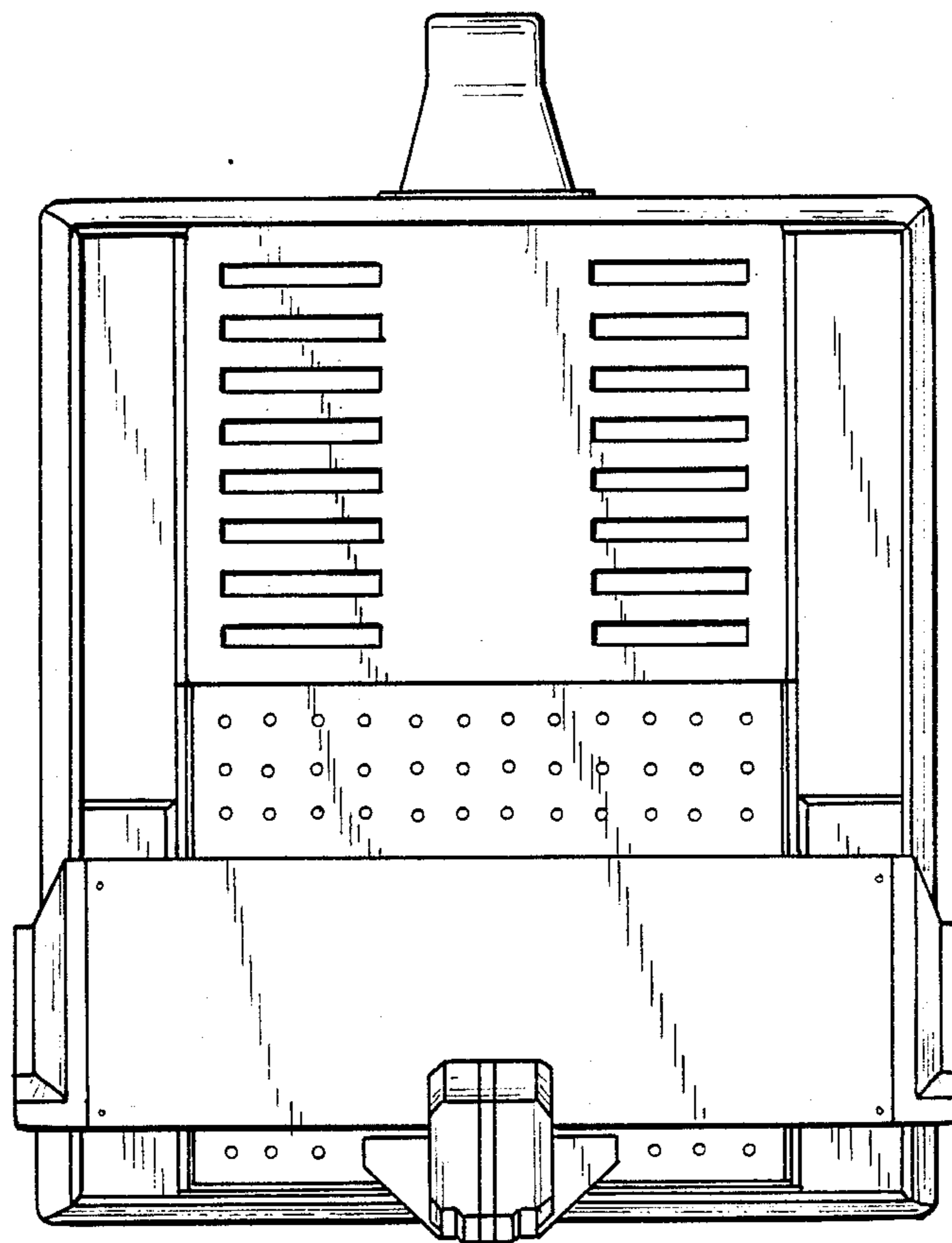


FIG - 4

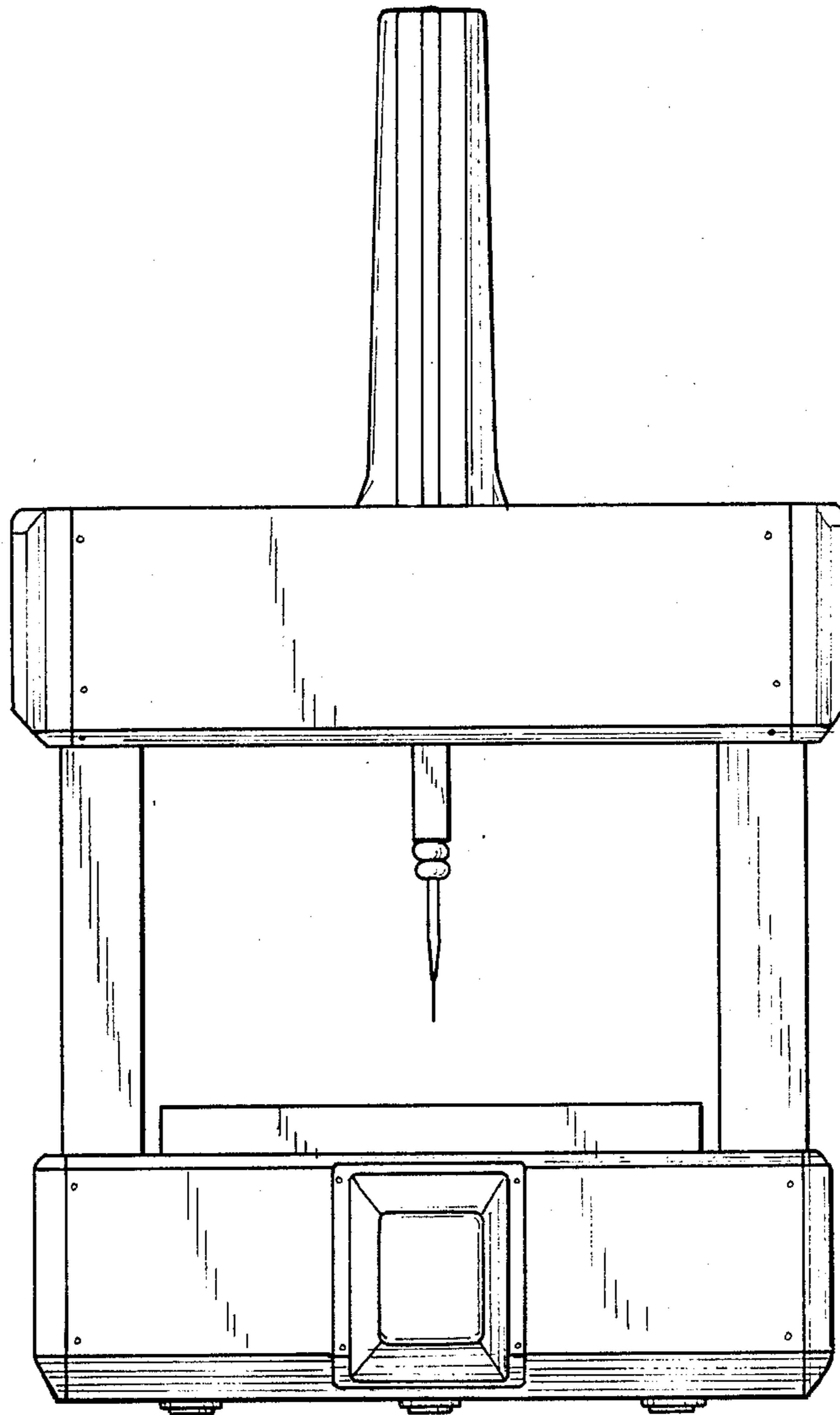


FIG - 5