

[54] **SPORTS WATCH**

[75] **Inventor: John T. Houlihan, Watertown, Conn.**

[73] **Assignee: Timex Corporation, Waterbury, Conn.**

[\*\*] **Term: 14 Years**

[21] **Appl. No.: 904,231**

[22] **Filed: Sep. 5, 1986**

[52] **U.S. Cl. .... D10/32; D10/38**

[58] **Field of Search .... D10/1-39,  
D10/122-126; 368/276, 277, 280-282, 285,  
82-84, 239-242, 10**

[56] **References Cited**

**U.S. PATENT DOCUMENTS**

D. 295,841 5/1988 Kan ..... D10/39  
4,629,329 12/1986 Komiyama ..... 368/10  
4,783,773 11/1988 Houlihan ..... 368/240 X

**OTHER PUBLICATIONS**

*Form-8/11/76-p. 42-Watches at right and left at bottom.*

*European Jeweler-7/84-p. 67-Watch at top.*

*Primary Examiner—Nelson C. Holtje*

*Attorney, Agent, or Firm—William C. Crutcher*

[57] **CLAIM**

The ornamental design for a sports watch, as shown and described.

**DESCRIPTION**

FIG. 1 is a top plan view of a sports watch showing my new design;

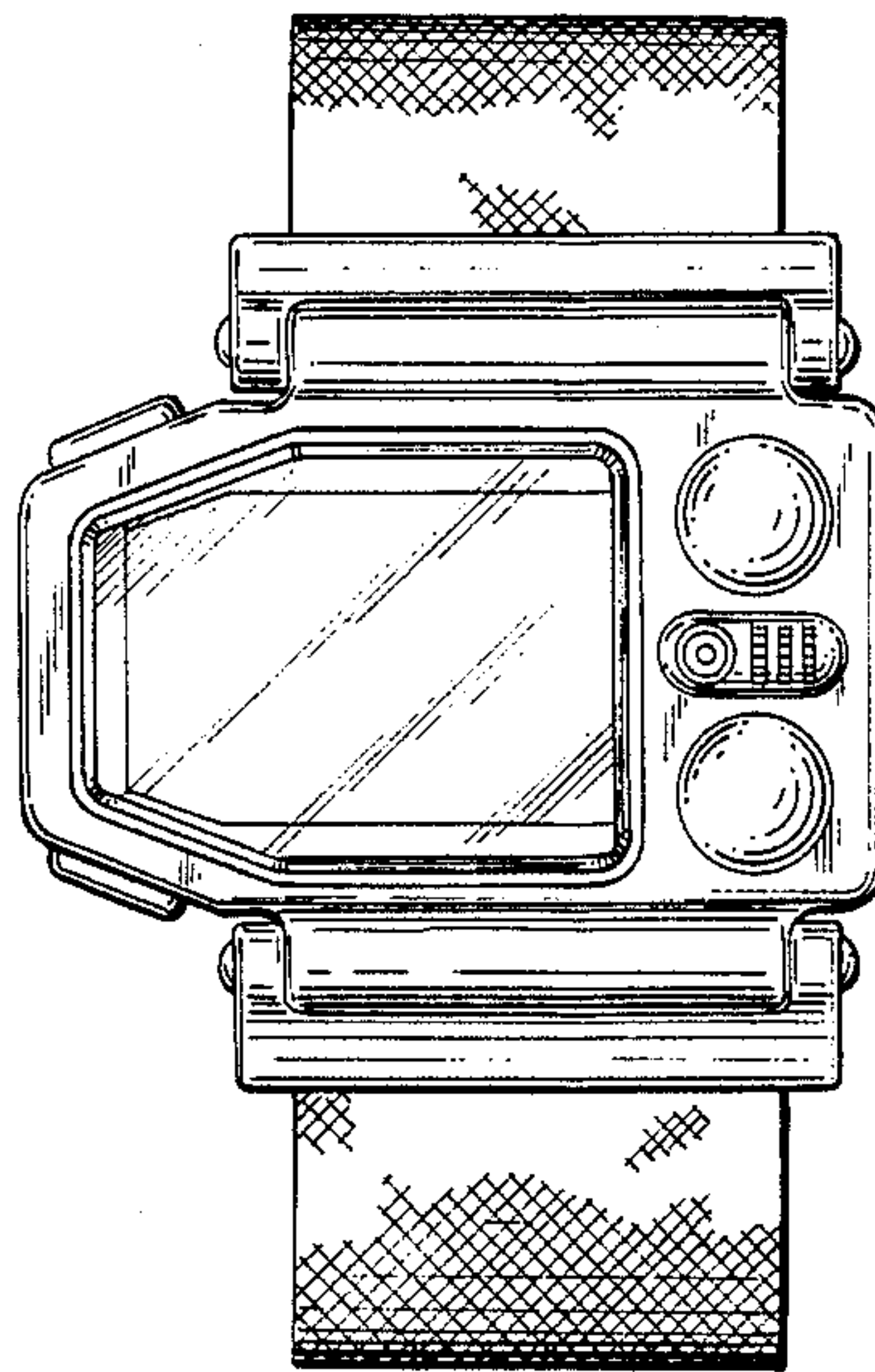
FIG. 2 is a right side elevational view thereof;

FIG. 3 is a left side elevational view thereof;

FIG. 4 is a front elevational view thereof, the rear view being a mirror image thereto;

FIG. 5 is a bottom plan view thereof;

FIG. 6 is a bottom plan view thereof with the strap omitted for clarity of illustration.



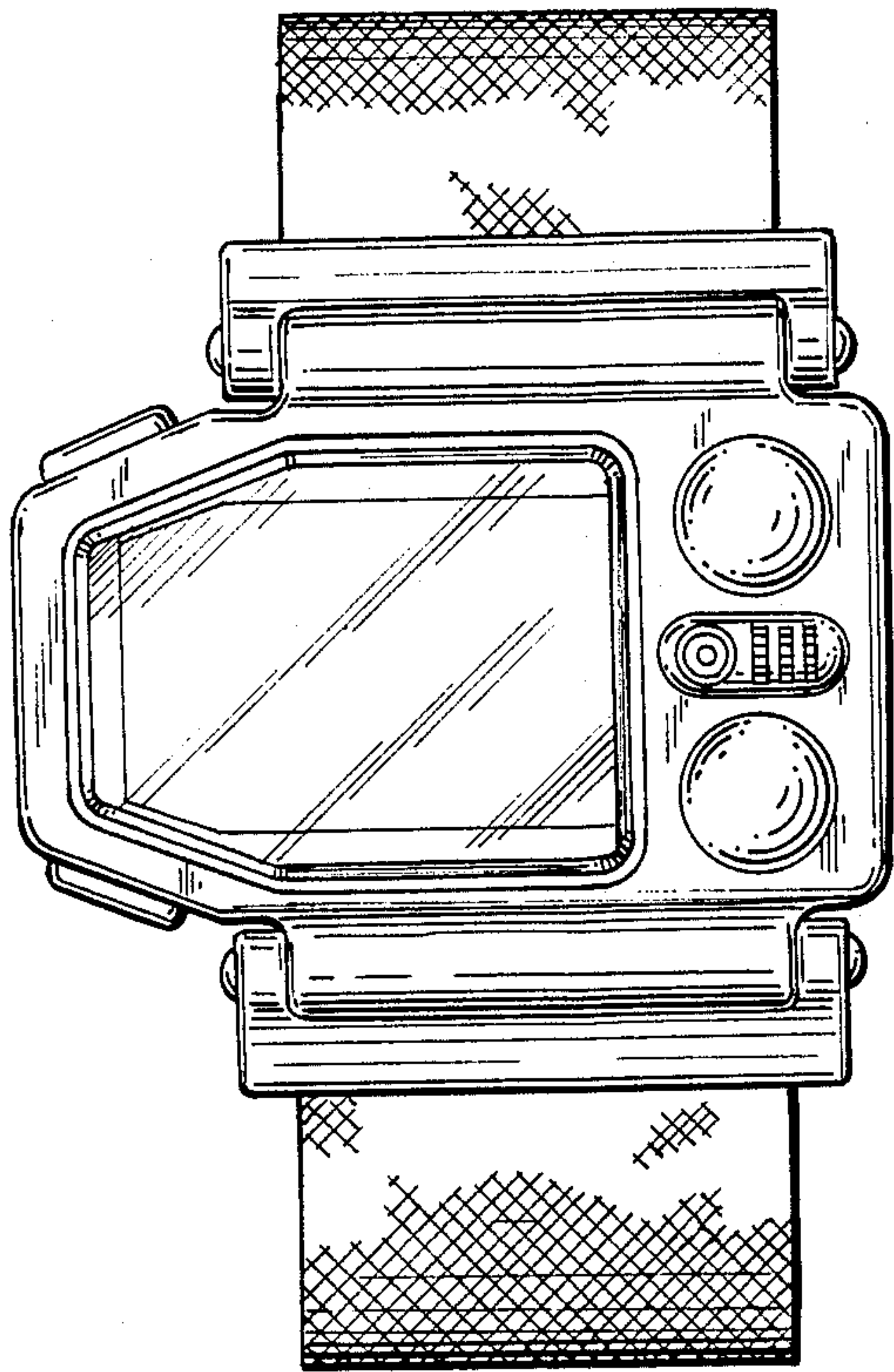


FIG. 1

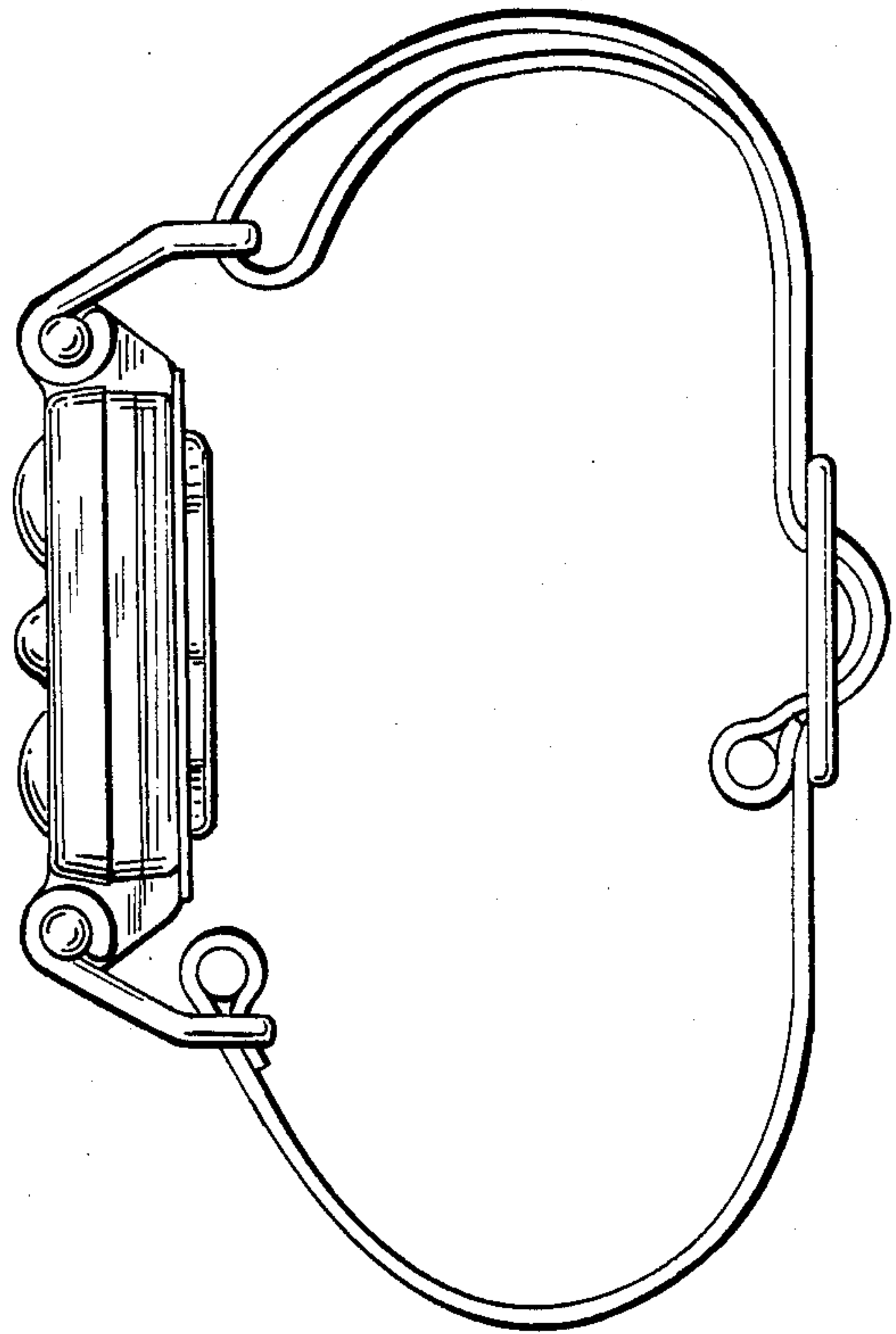


FIG. 2

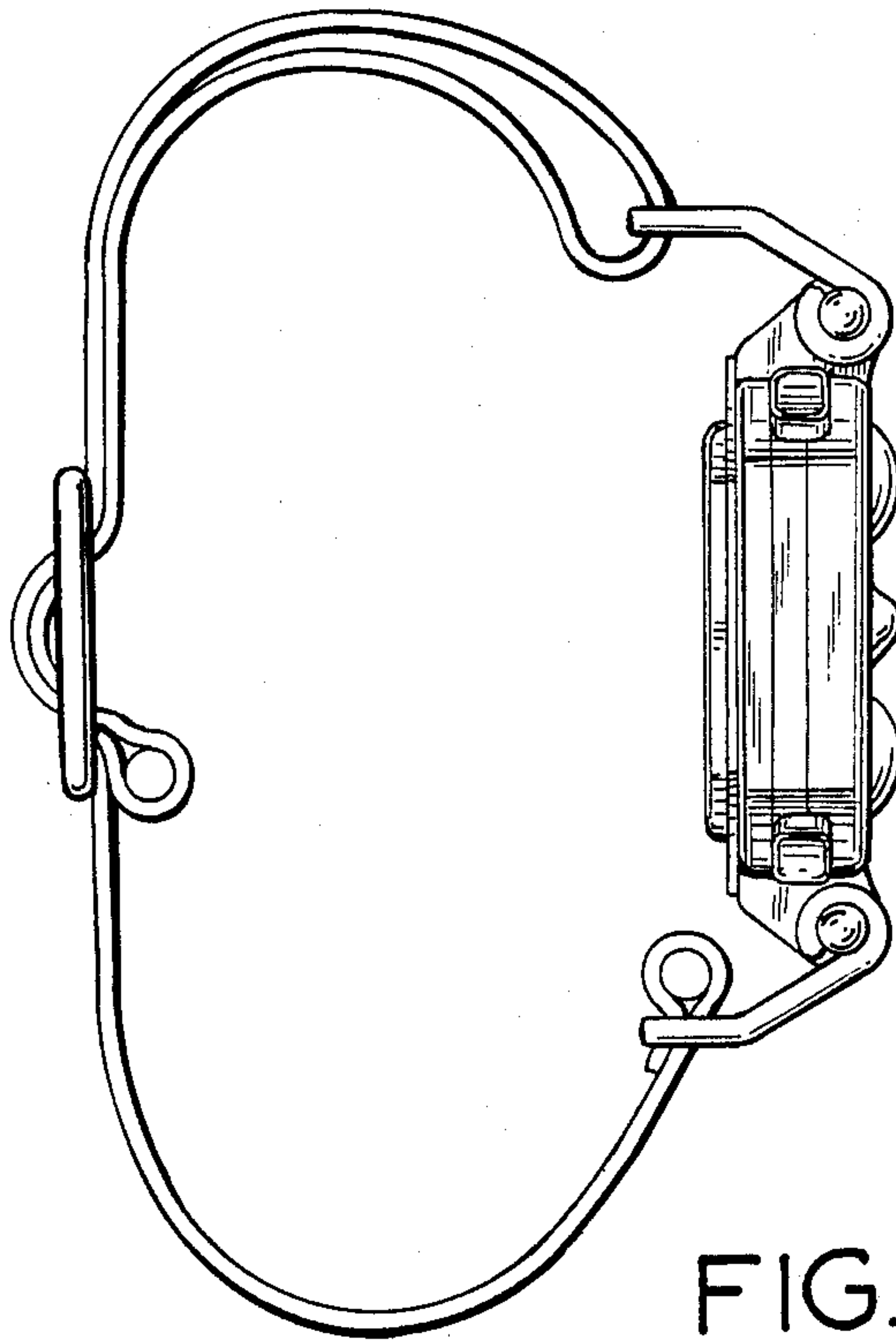


FIG. 3

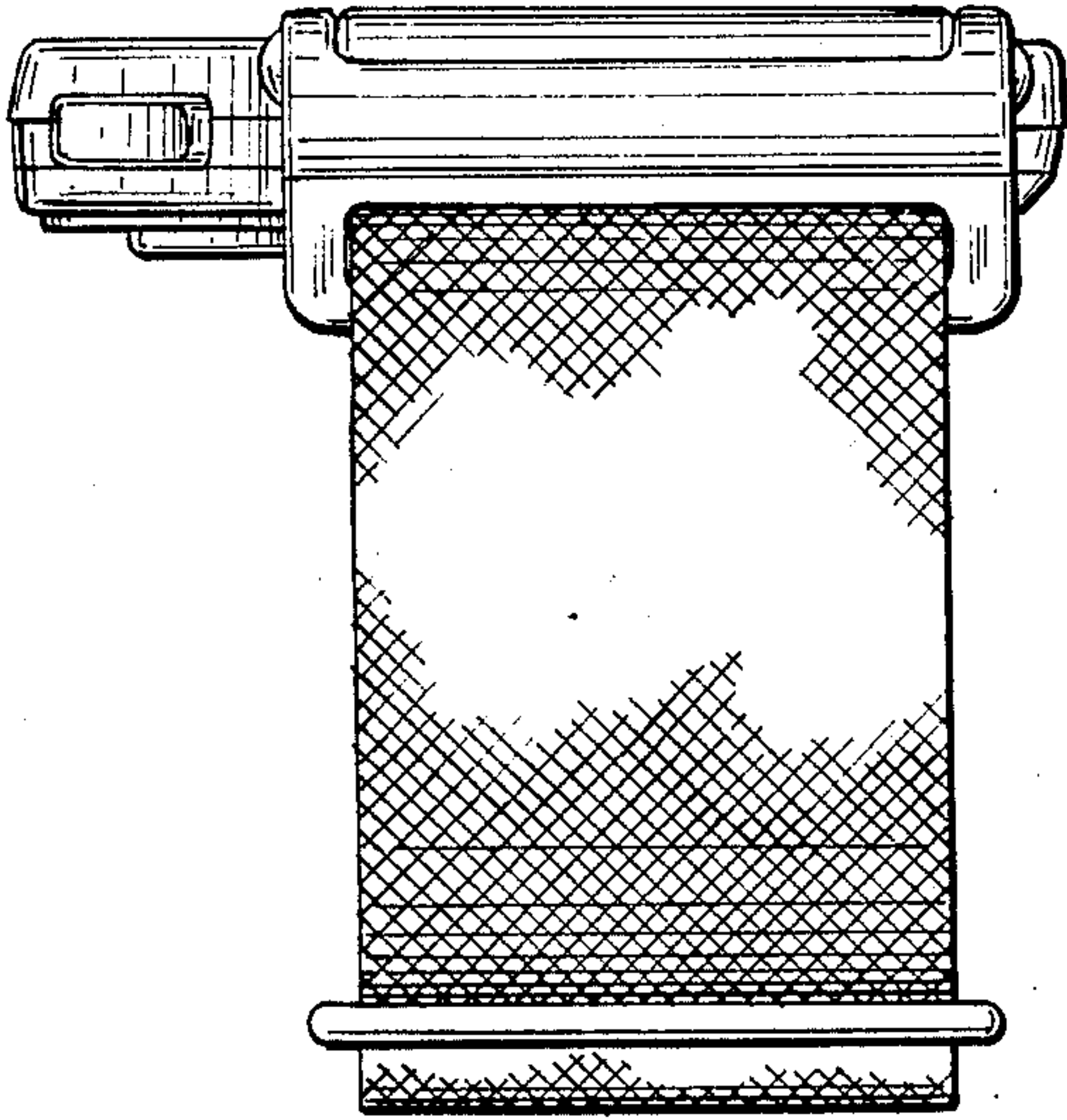


FIG. 4

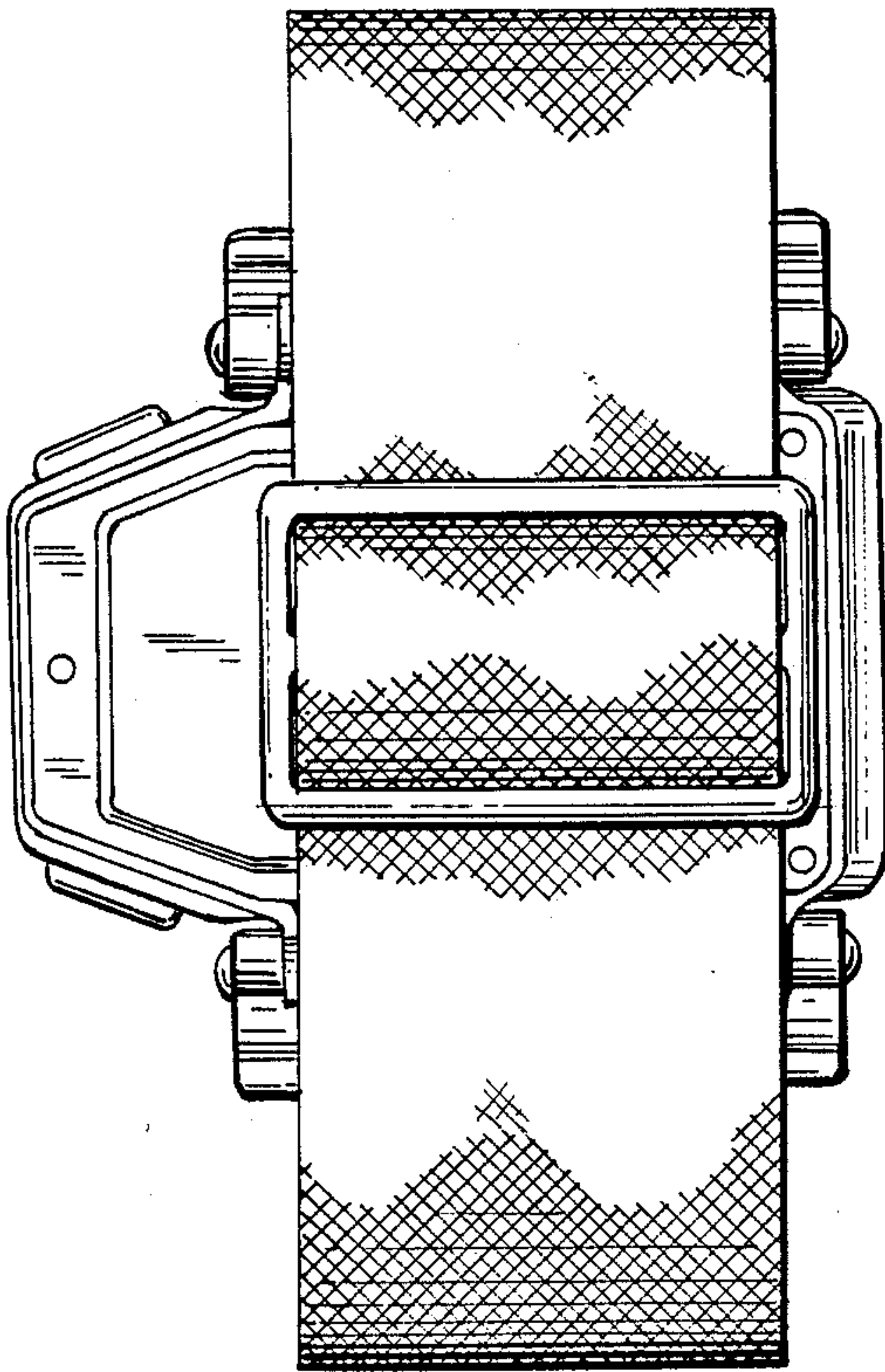


FIG. 5

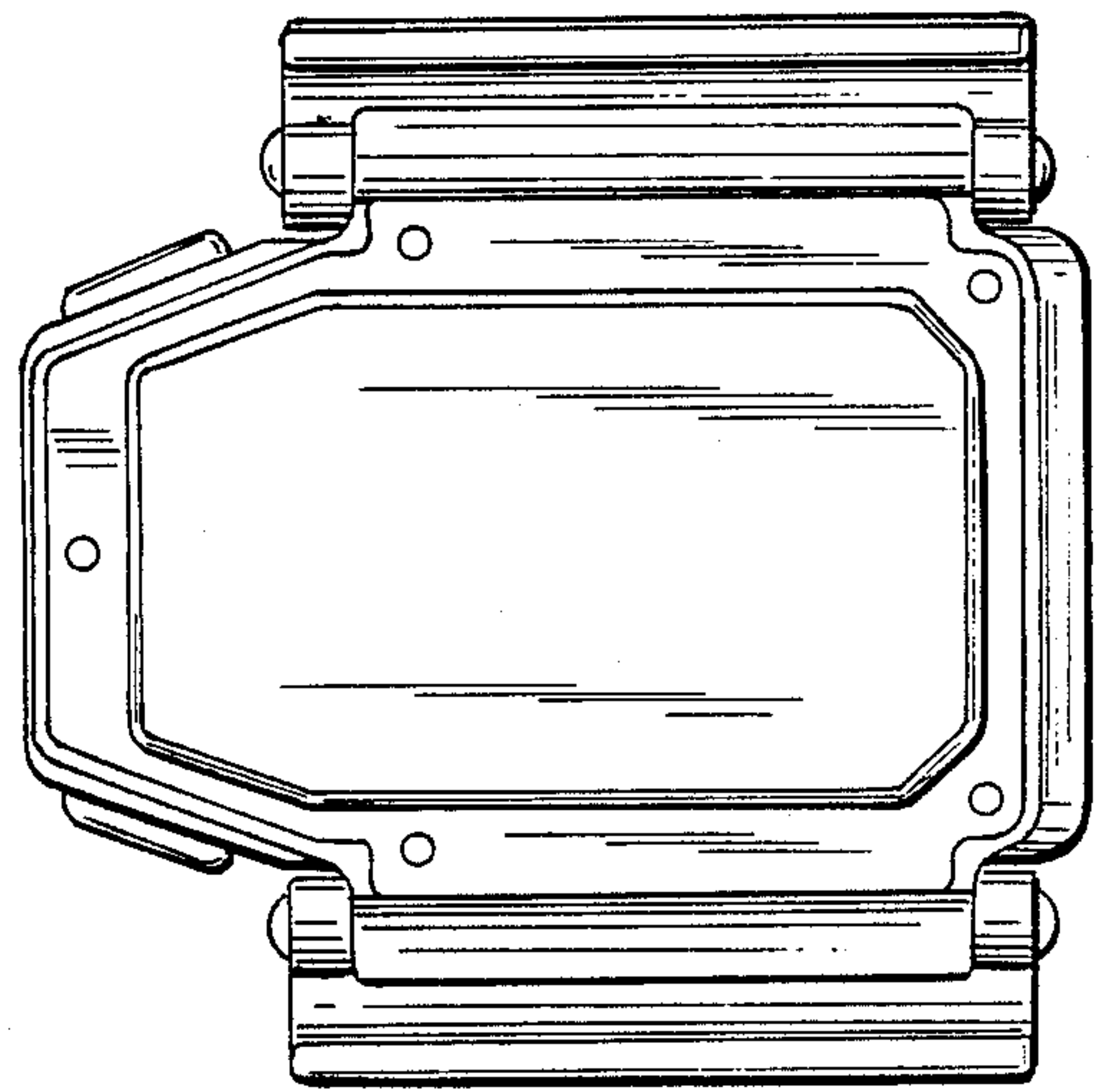


FIG. 6