

[54] DOORSTOP

[56]

References Cited

U.S. PATENT DOCUMENTS

[76] Inventor: Samuel J. Esworthy, 8526 Kester Ave., Panorama City, Calif. 91402

- D. 143,039 11/1945 Shanfield D8/402
- D. 257,123 9/1980 Farmer, Jr. D8/402
- D. 257,761 1/1981 Abel D8/402
- D. 288,290 2/1987 Angle D8/402
- 872,184 11/1907 Keil 16/86 A

[**] Term: 14 Years

Primary Examiner—B. J. Bullock
Attorney, Agent, or Firm—Allan M. Shapiro

[21] Appl. No.: 38,924

[57] CLAIM

The ornamental design for a doorstop, as shown.

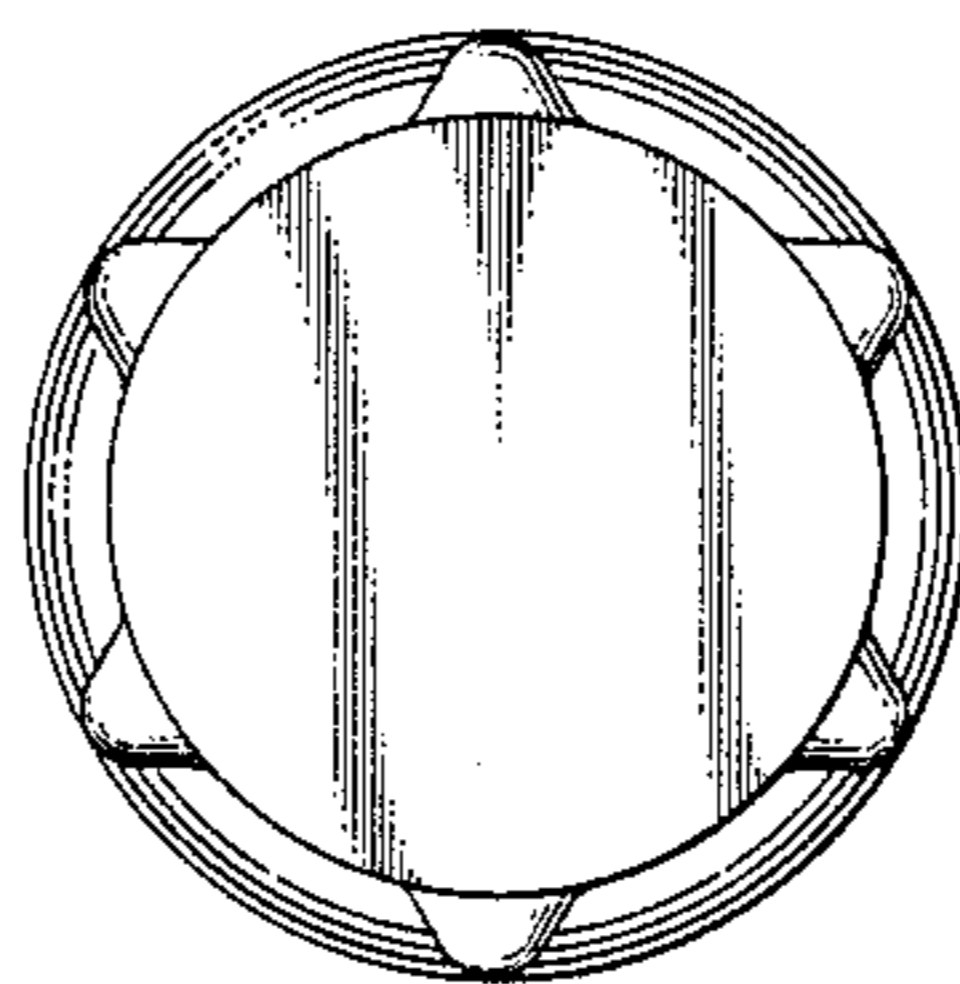
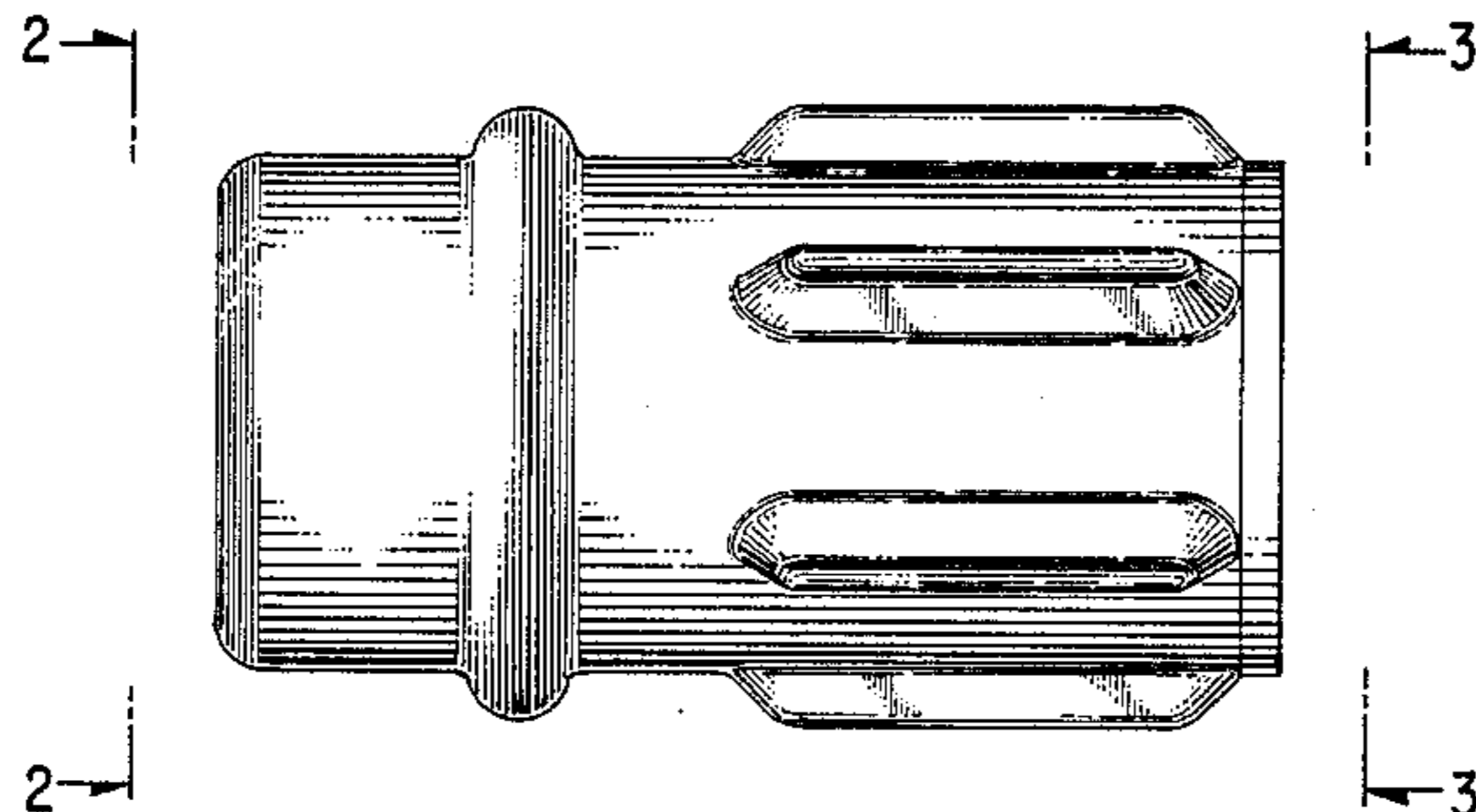
DESCRIPTION

[22] Filed: Apr. 16, 1987

[52] U.S. Cl. D8/402

[58] Field of Search D8/402; 16/82, 86 R,
16/86 A

FIG. 1 is a side elevational view of a doorstop, showing my new design;
FIG. 2 is a top plan view thereof; and
FIG. 3 is a bottom plan view thereof.



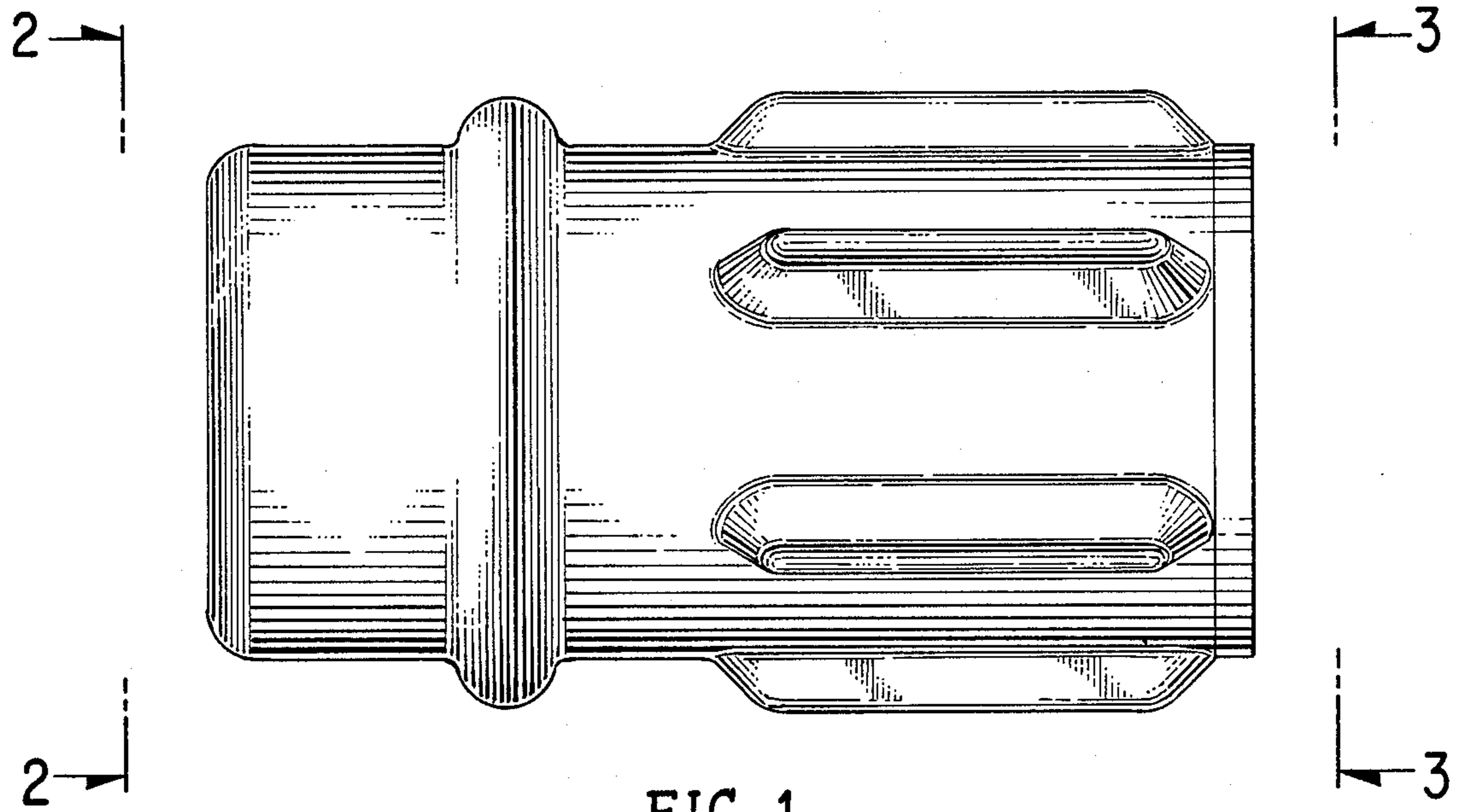


FIG. 1.

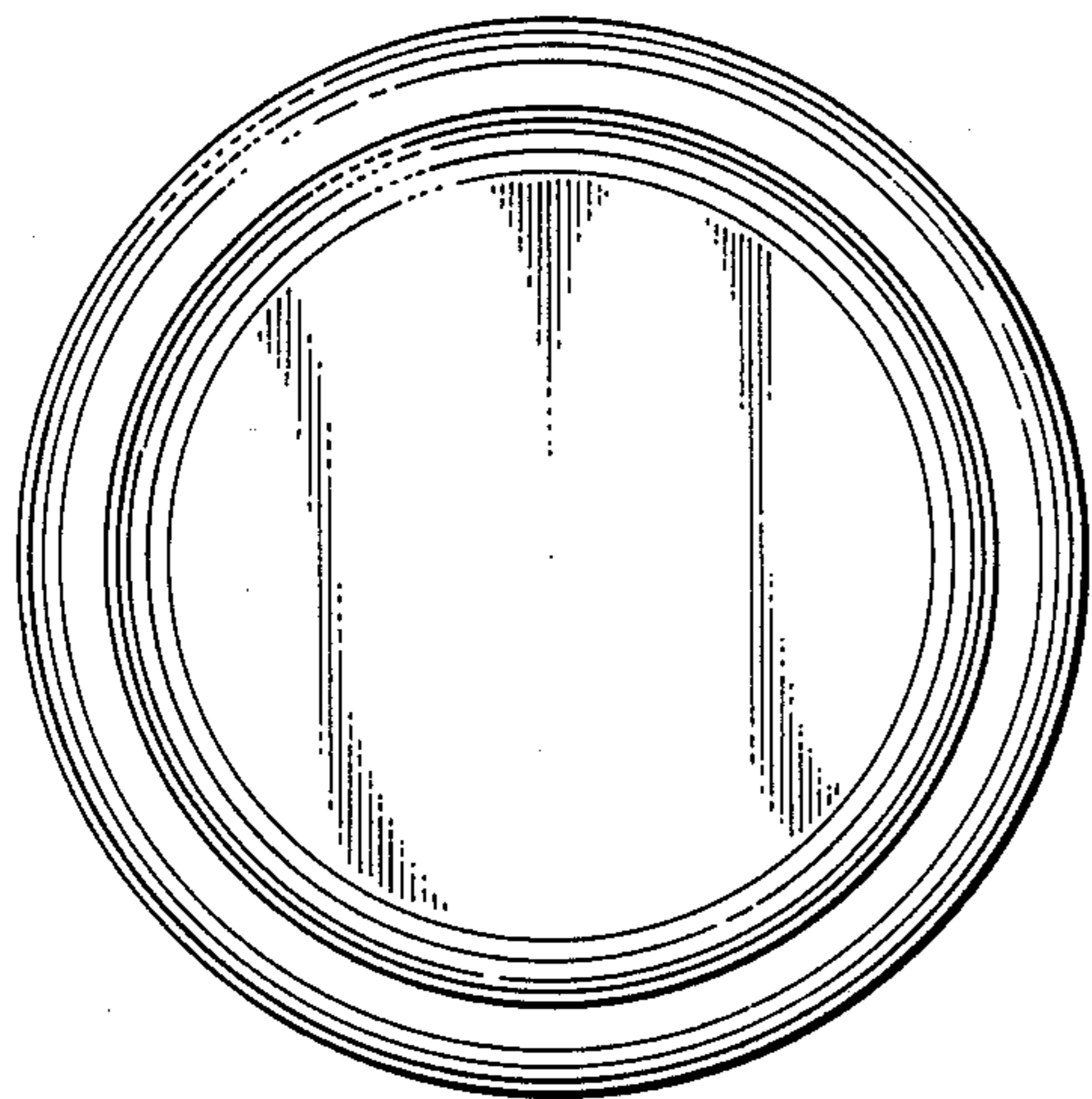


FIG. 2.

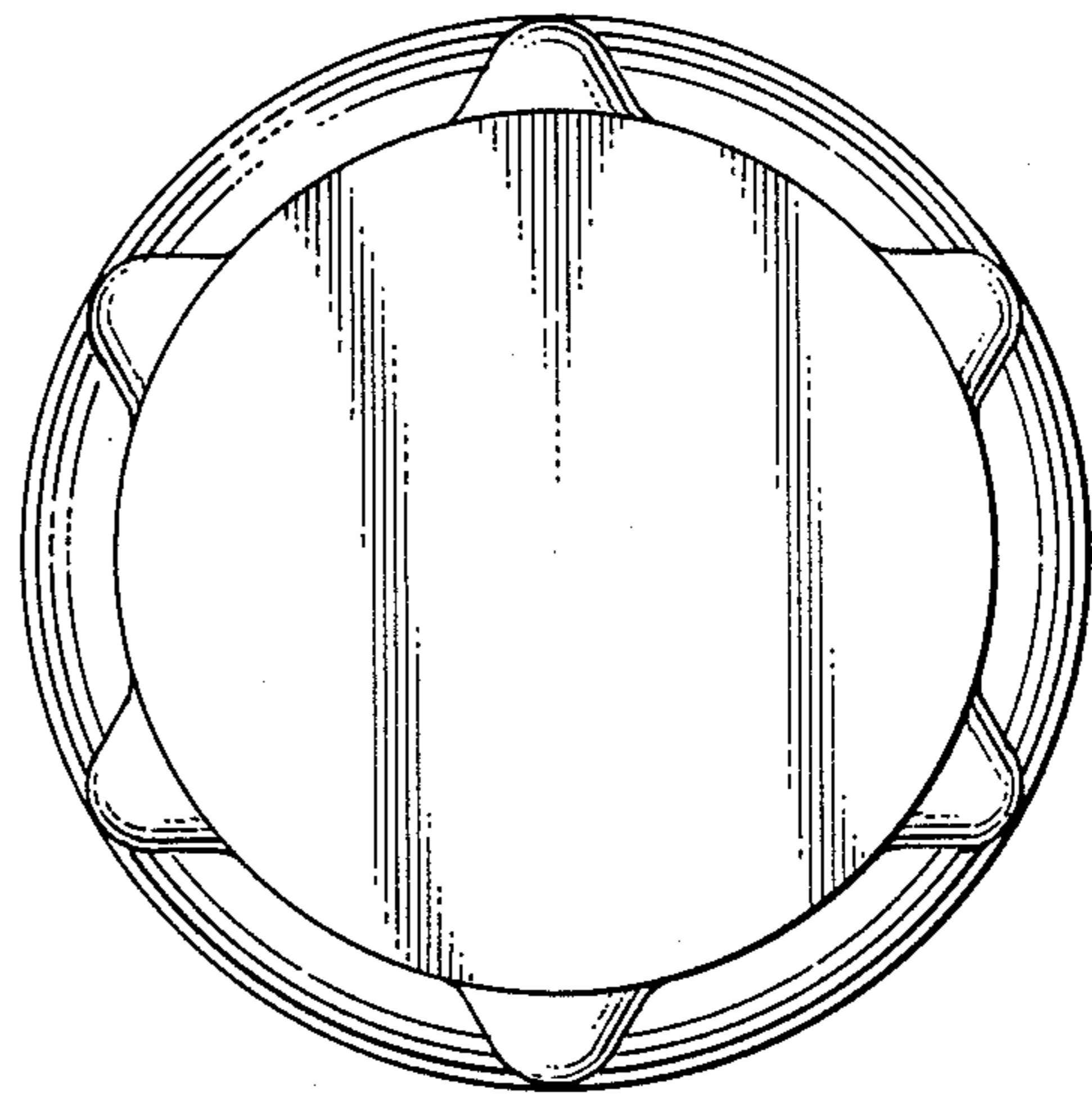


FIG. 3.