

[54] MULTIPLE HOLD-DOWN CLAMP

[76] Inventor: Victor P. Garvis, 2315 - 12th St. Pl., Moline, Ill. 61265

[*] Notice: The portion of the term of this patent subsequent to Apr. 9, 1999 has been disclaimed.

[**] Term: 14 Years

[21] Appl. No.: 768,848

[22] Filed: Aug. 23, 1985

[52] U.S. Cl. D8/73; D8/72

[58] Field of Search D8/14, 71-74; 269/249, 152, 155, 41

[56] References Cited

U.S. PATENT DOCUMENTS

- D. 172,863 8/1954 Buckley D8/73
- D. 234,245 2/1975 McGee D8/74

- D. 278,308 4/1985 Garvis D8/71
- 705,930 7/1902 Jaeger 269/41
- 1,452,384 4/1923 Kissendorfer 269/249
- 3,883,128 5/1975 Breese D8/73 X
- 4,592,541 6/1986 Huray 269/155

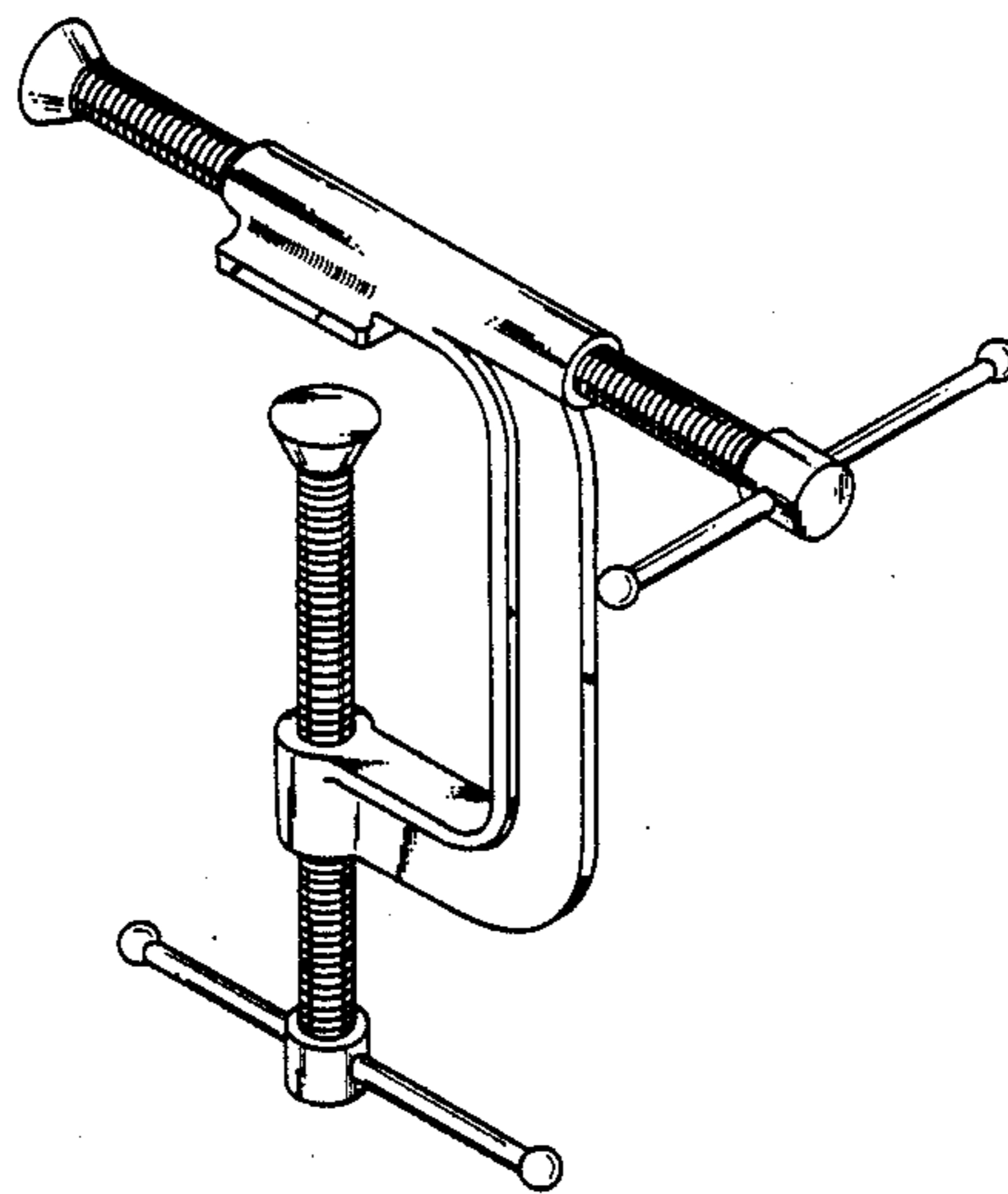
Primary Examiner—Bruce W. Dunkins
Assistant Examiner—Clare E. Heflin

[57] CLAIM

The ornamental design for a multiple hold-down clamp, as shown and described.

DESCRIPTION

FIG. 1 is a perspective view of the multiple hold-down clamp showing my new design;
 FIG. 2 is a front elevational view thereof.
 FIG. 3 is a right side elevational view thereof.
 FIG. 4 is a top plan view thereof;
 FIG. 5 is a rear elevational view thereof.
 FIG. 6 is a left side elevational view thereof.
 FIG. 7 is a bottom plan view thereof.



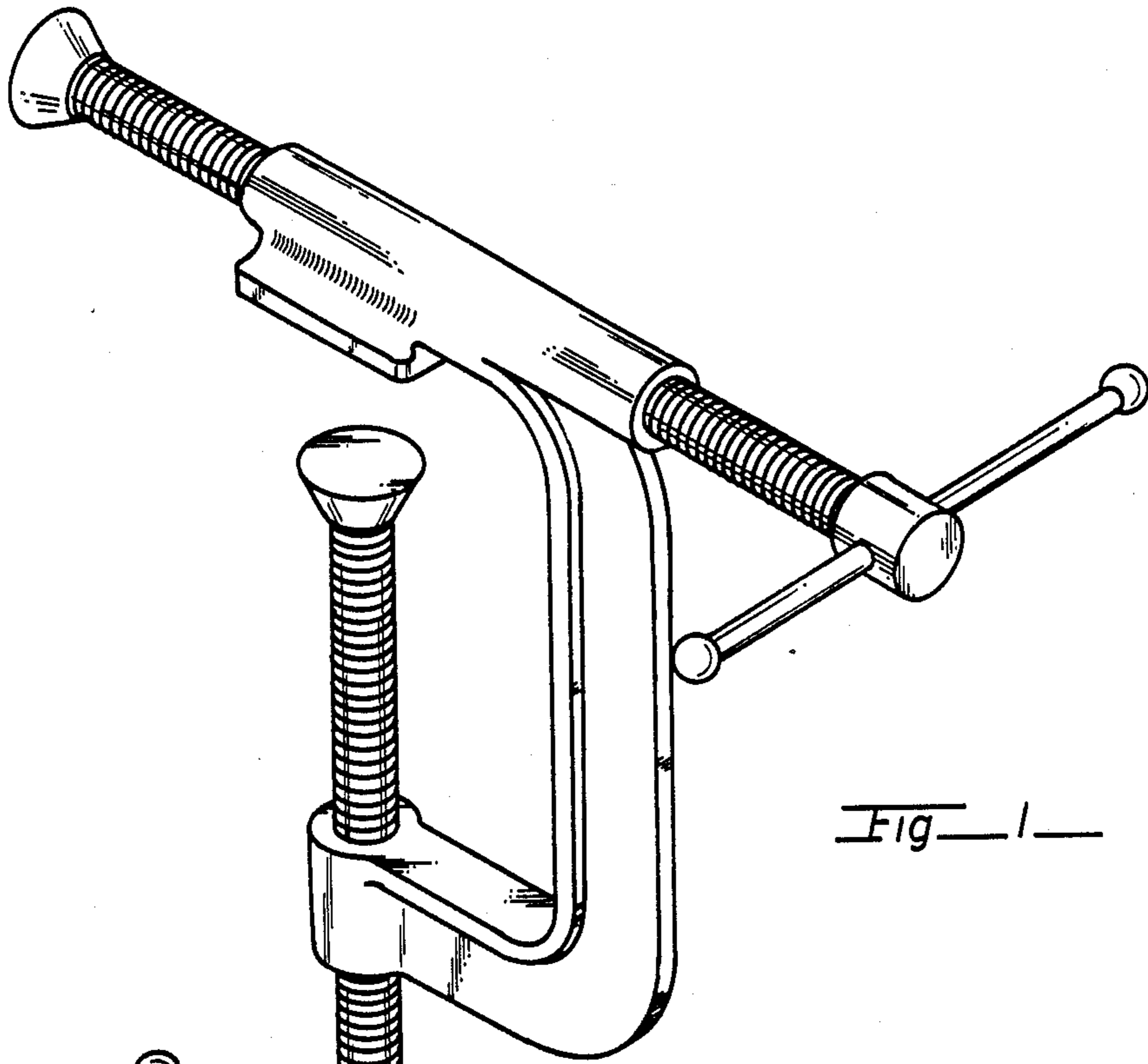


Fig. 1

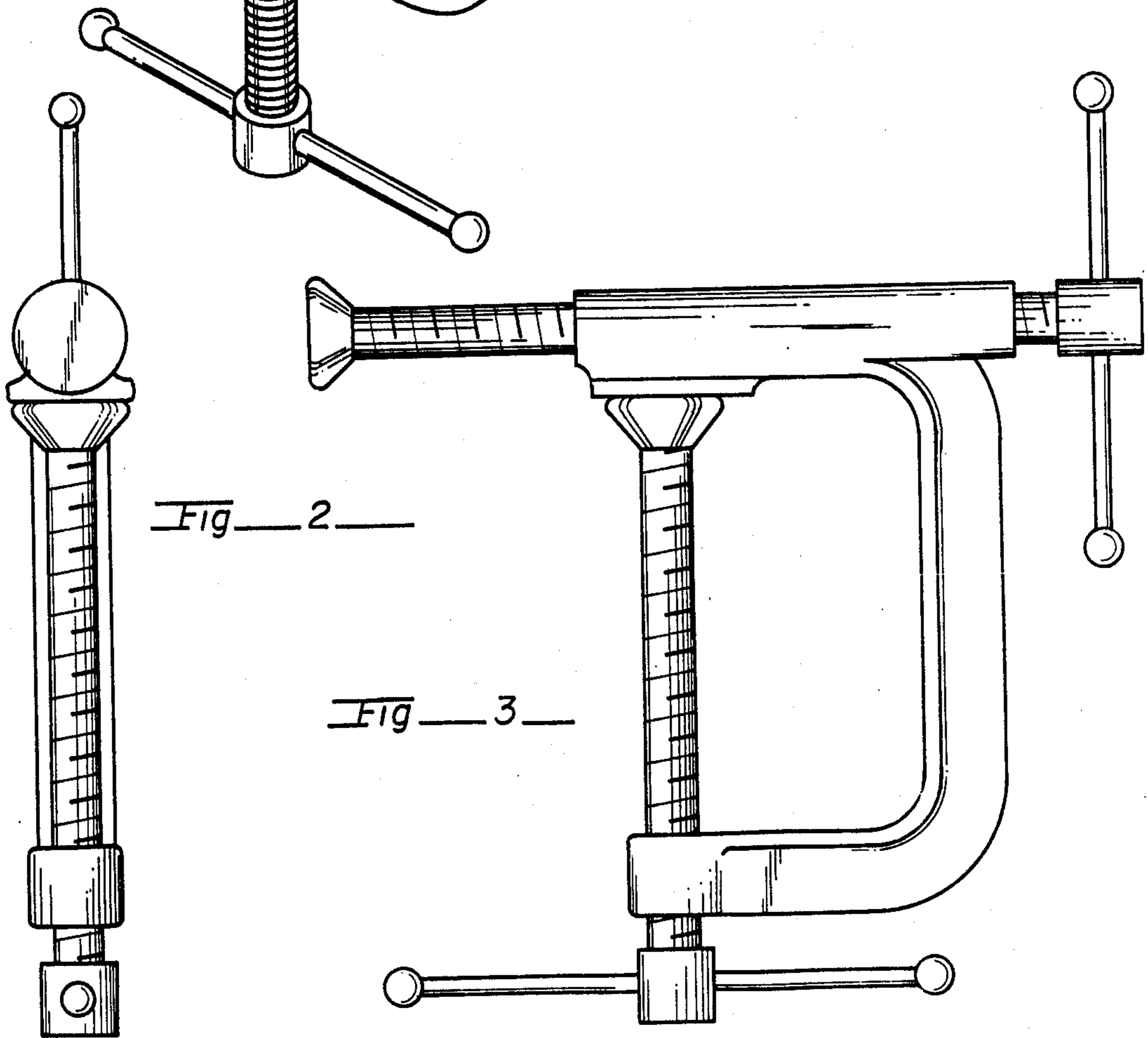


Fig. 2

Fig. 3

Fig 4

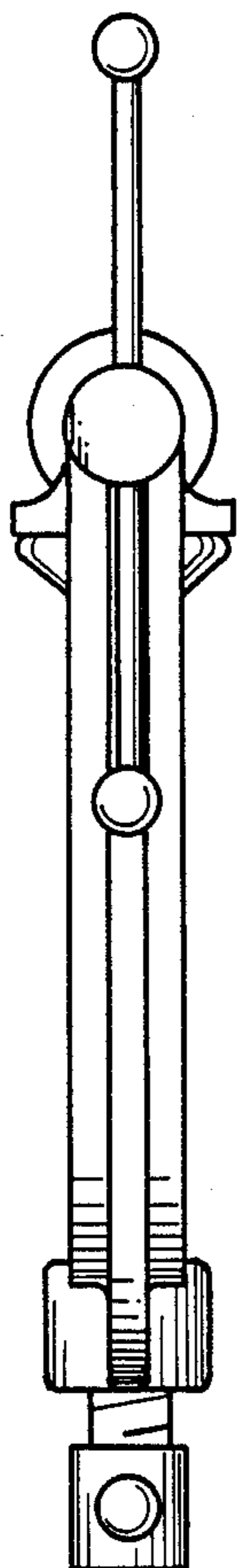
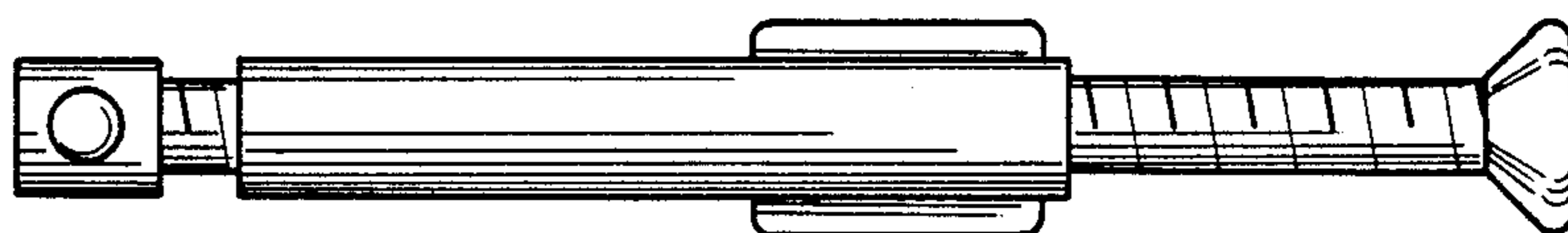


Fig 5

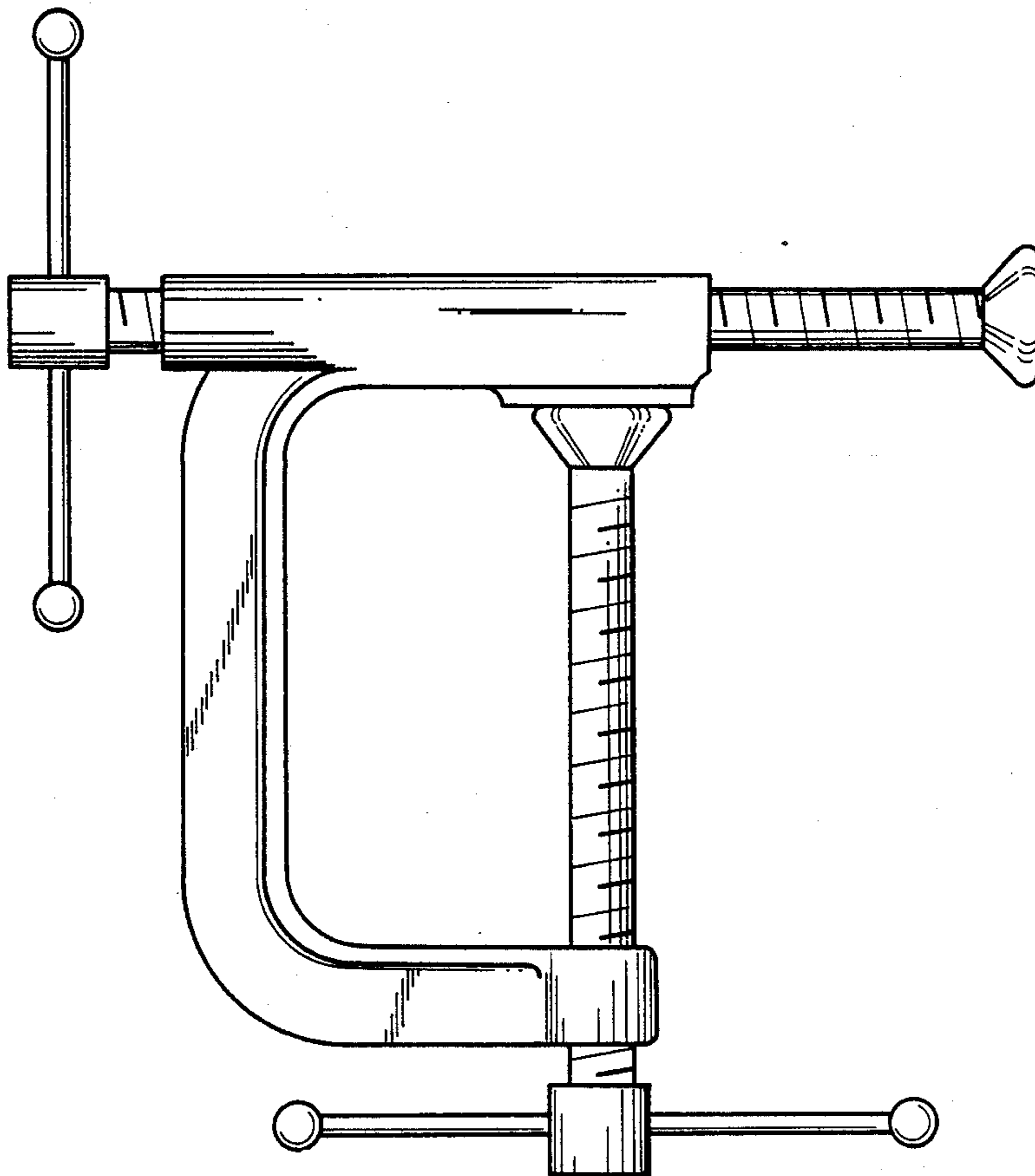


Fig 6

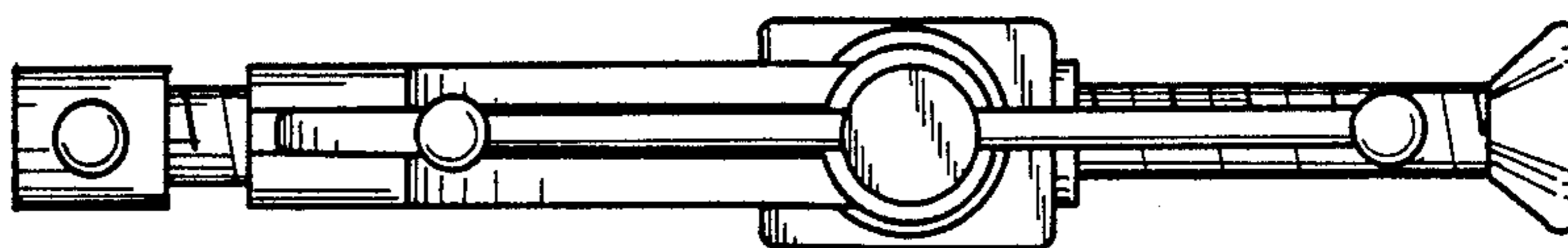


Fig 7