

[54] **UTILITY CLAMP**

[76] **Inventor: Wallace Strand, 1145 Polk Pl.,  
Columbia Heights, Minn. 55421**

[\*\*] **Term: 14 Years**

[21] **Appl. No.: 863,536**

[22] **Filed: May 15, 1986**

[52] **U.S. Cl. .... D8/72; D8/395**

[58] **Field of Search ..... D8/71-74,  
D8/107, 14, 395; 269/96, 104, 105, 161; 24/335,  
338, 493, 507, 508**

[56] **References Cited**

**U.S. PATENT DOCUMENTS**

2,063,924	12/1936	Hanko	.....	24/507
2,607,247	8/1952	Wegs	.....	269/104
2,667,678	2/1954	Hargrave et al.	.....	24/508
2,895,659	7/1959	Richterkessing	.....	24/508

**OTHER PUBLICATIONS**

Wetzler Clamp Co., Spring Clamp Style #SP-HT Cat.  
dated 3/6/1968.

Woodcraft Supply Corp. Spring/Summer 1979 Catalog  
p. 50 "Spring Clamp" #'s 03j31-AR.

*Primary Examiner*—Bruce W. Dunkins

*Assistant Examiner*—Clare E. Heflin

*Attorney, Agent, or Firm*—Lawrence M. Nawrocki

[57] **CLAIM**

The ornamental design for a utility clamp, as shown and  
described.

**DESCRIPTION**

FIG. 1 is a front elevational view of the utility clamp  
showing my new design;

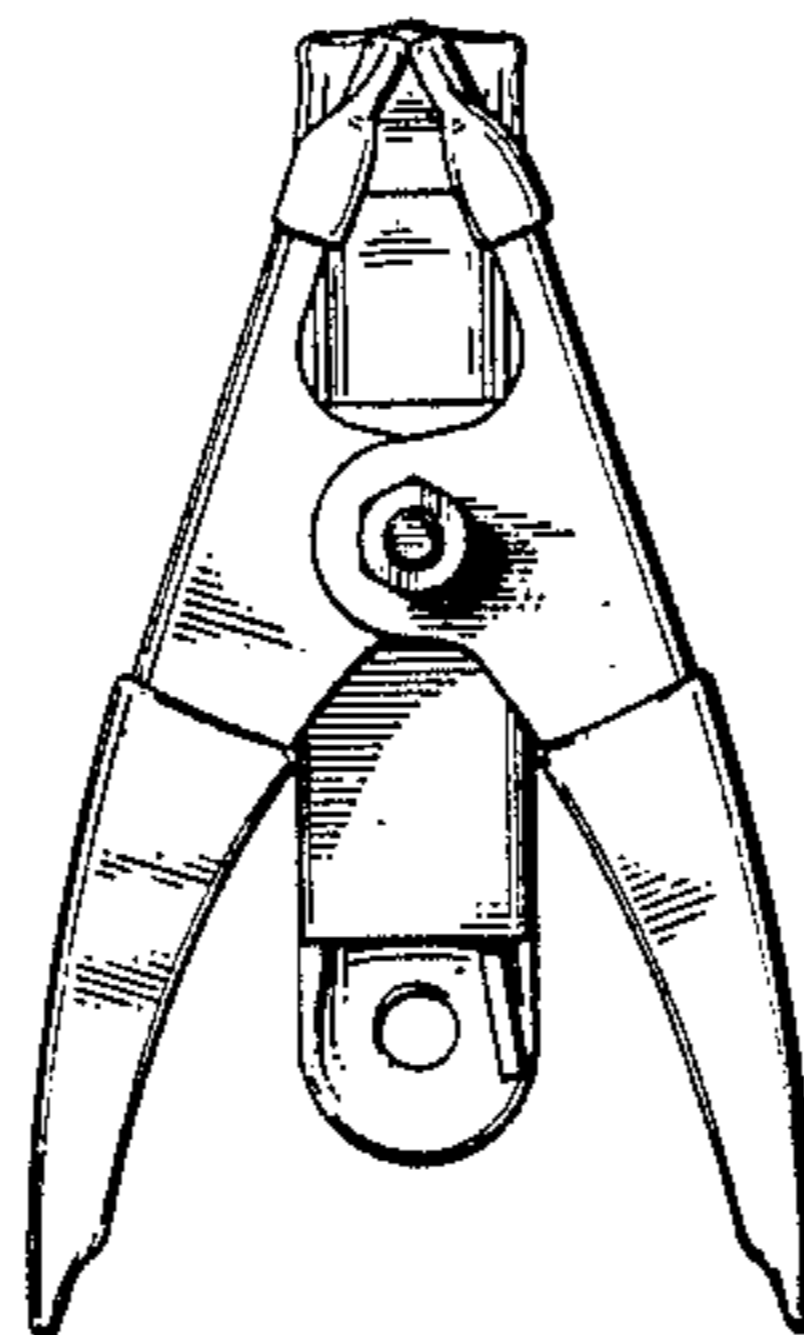
FIG. 2 is a rear elevational view thereof;

FIG. 3 is a left side elevational view thereof;

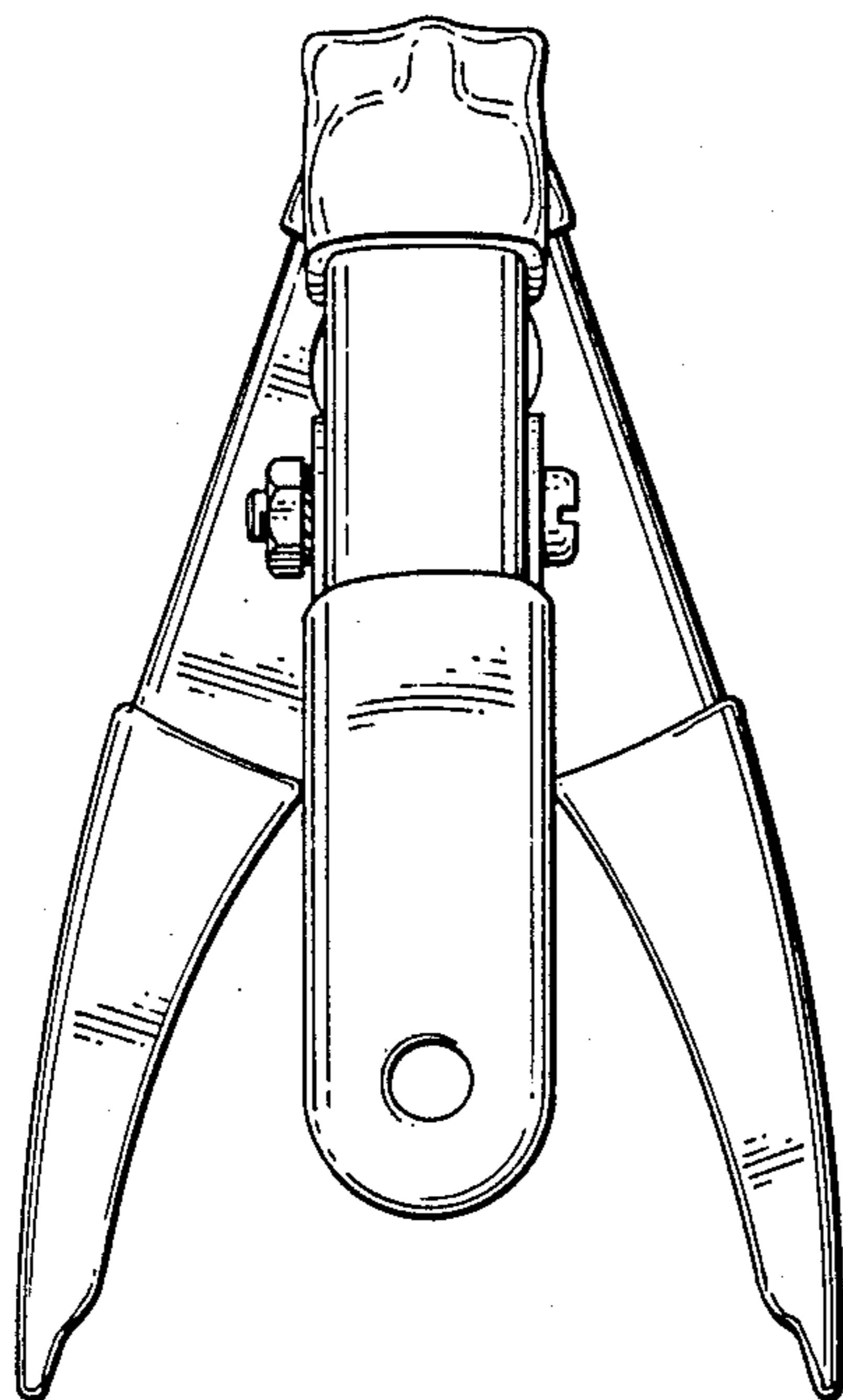
FIG. 4 is a right side elevational view thereof;

FIG. 5 is a top plan view of FIG. 4 thereof; and

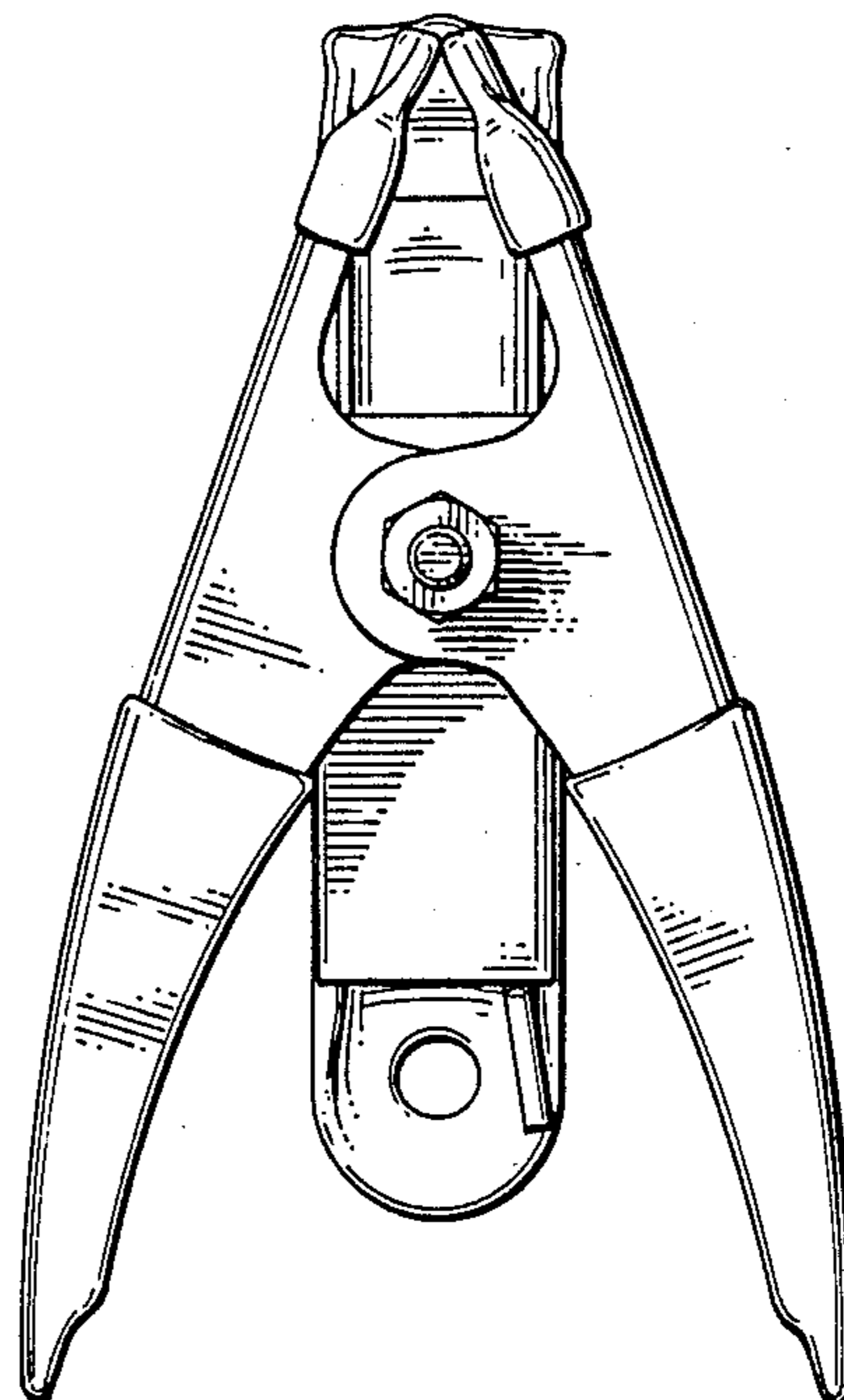
FIG. 6 is a bottom plan view of FIG. 4 thereof.



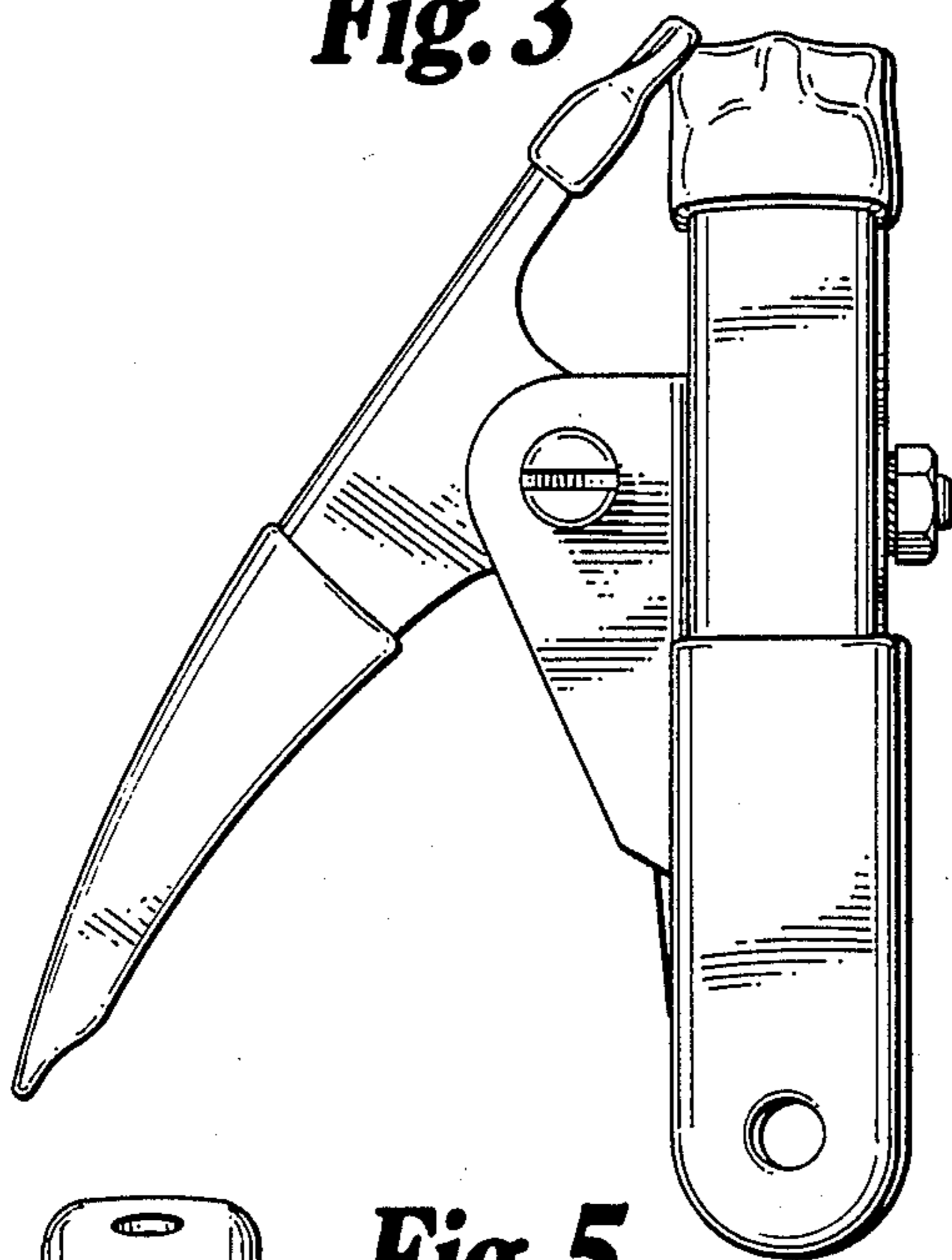
**Fig. 1**



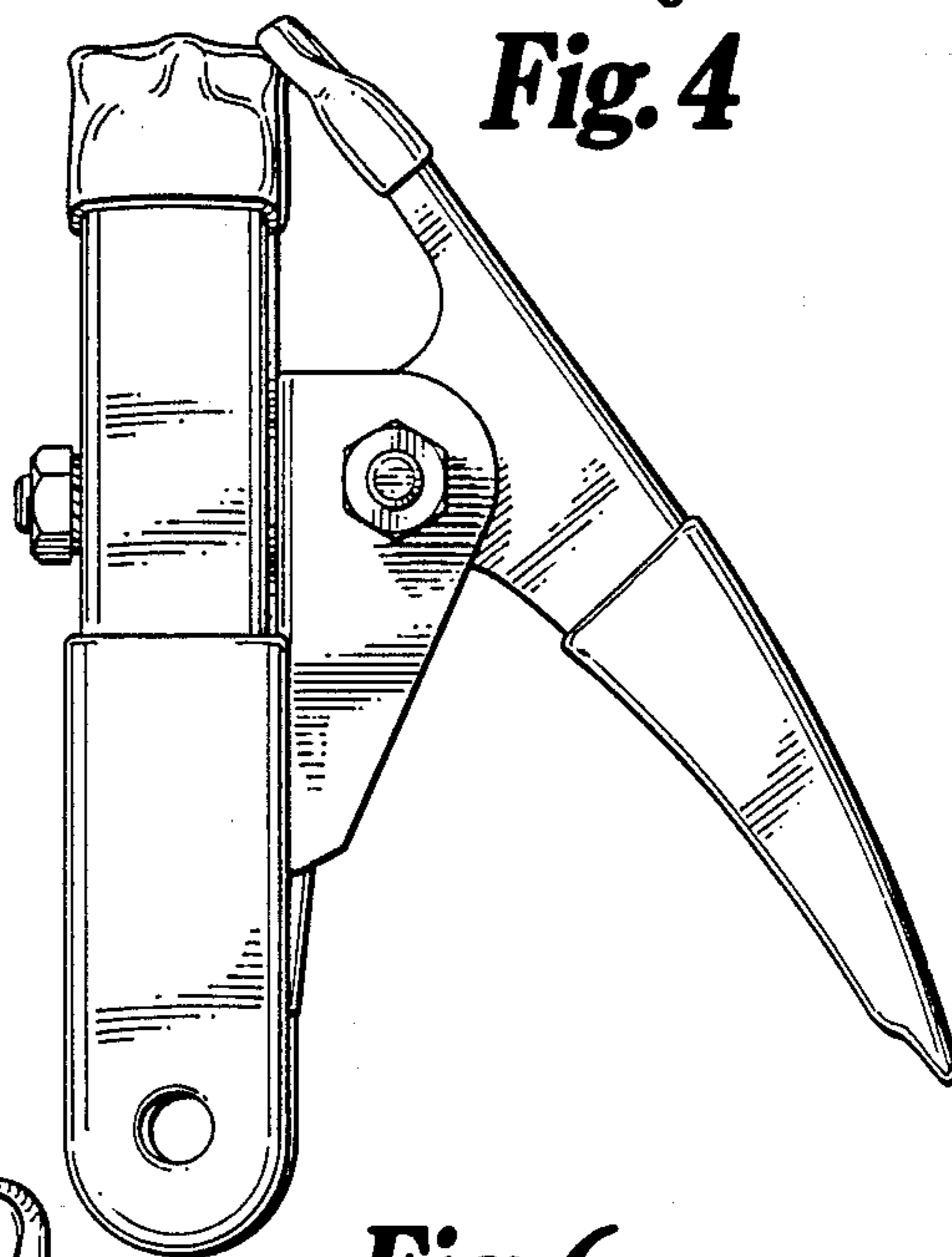
**Fig. 2**



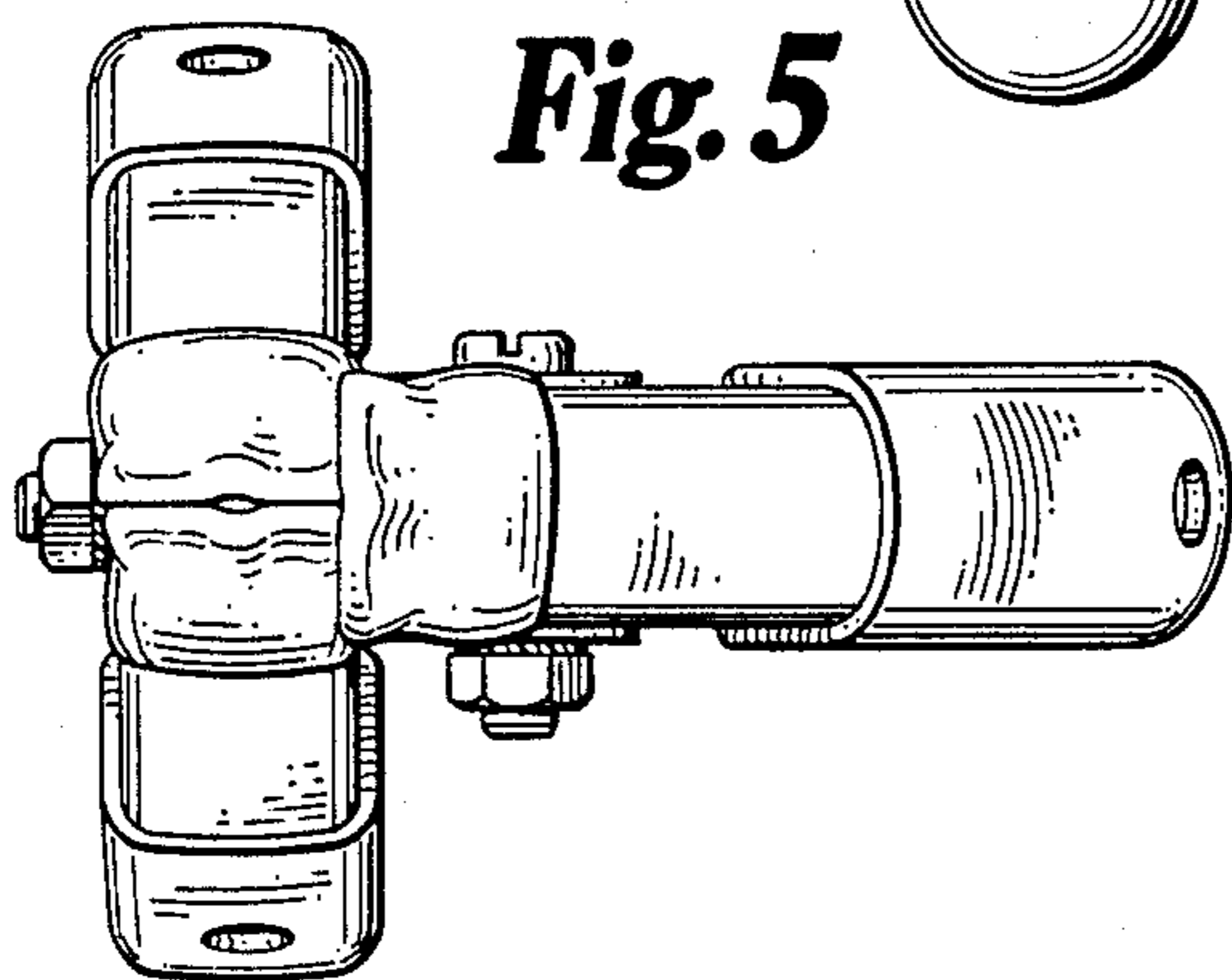
**Fig. 3**



**Fig. 4**



**Fig. 5**



**Fig. 6**

