

[54] STAPLER

D. 251,962 5/1979 Power D8/50
D. 295,015 4/1988 Ebihara D8/50

[75] Inventors: Jane Ancona; Bruce Ancona, both of New York, N.Y.

Primary Examiner—Bernard Ansher
Assistant Examiner—Terry A. Pfeffer
Attorney, Agent, or Firm—Henry R. Lerner

[73] Assignee: M. Kamenstein, Inc., White Plains, N.Y.

[57] CLAIM

[**] Term: 14 Years

The ornamental design for a stapler, as shown and described.

[21] Appl. No.: 275,547

DESCRIPTION

[22] Filed: Nov. 23, 1988

[52] U.S. Cl. D8/50

[58] Field of Search D8/49-50;
227/120, 128, 132

FIG. 1 is a perspective view of a stapler showing our new design;
FIG. 2 is a front elevational view thereof;
FIG. 3 is a right side elevational view thereof;
FIG. 4 is a rear elevational view thereof; and
FIG. 5 is a bottom plan view thereof.
The design is symmetrical and the left side elevational view is the mirror of the right side elevational view.

[56] References Cited

U.S. PATENT DOCUMENTS

D. 248,920 8/1978 Jalk et al. D8/50

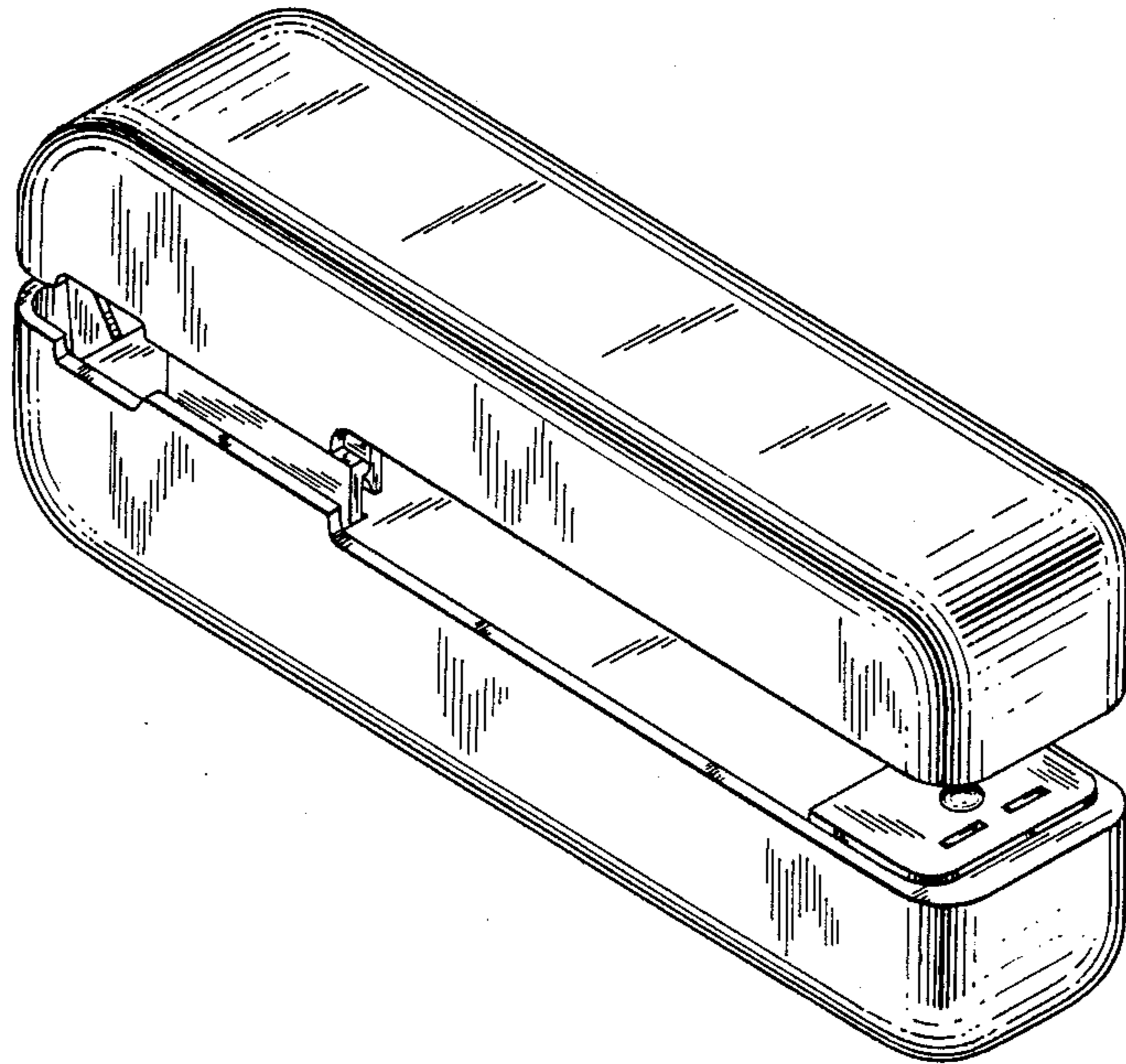


FIG. 1

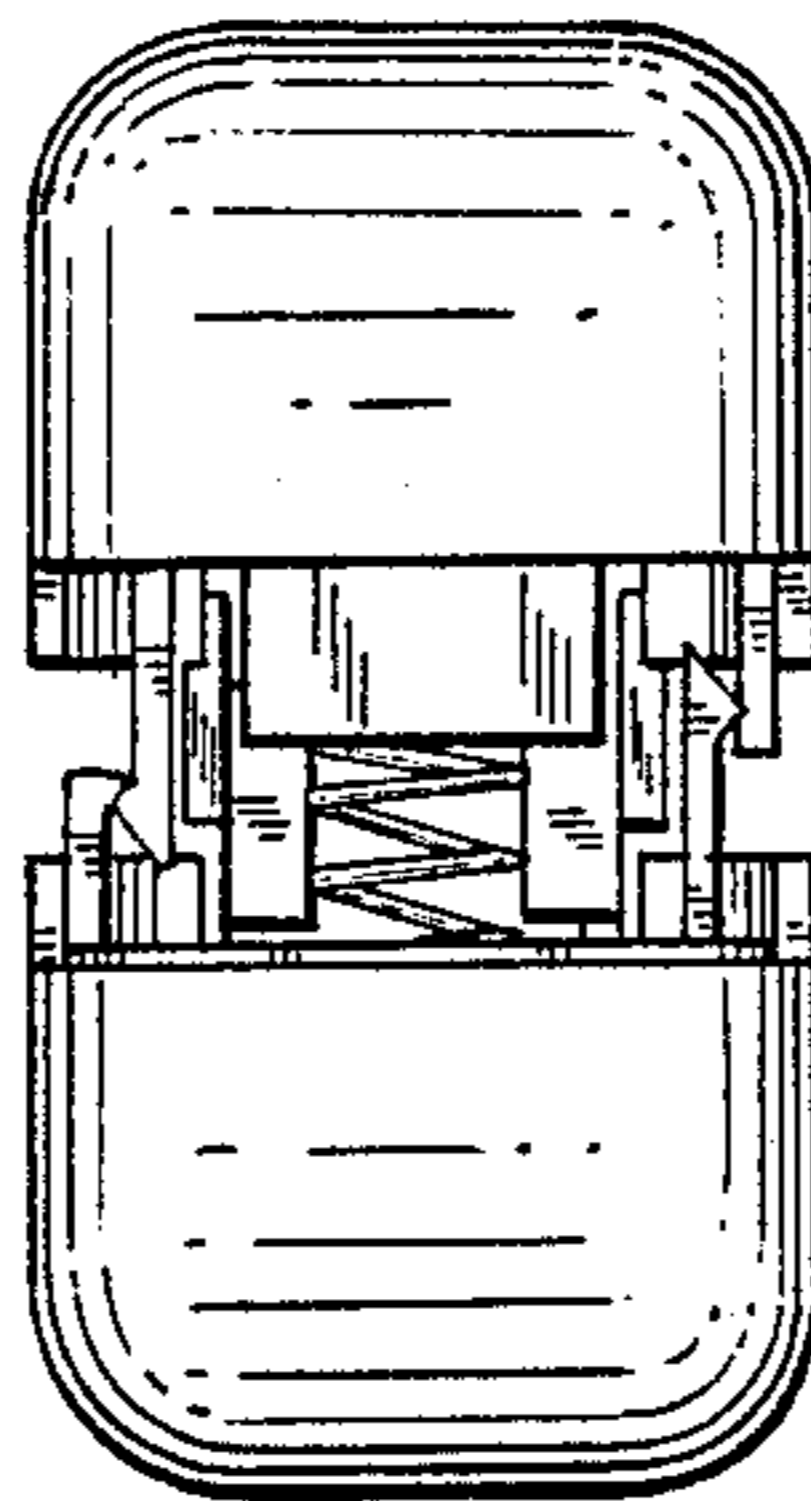
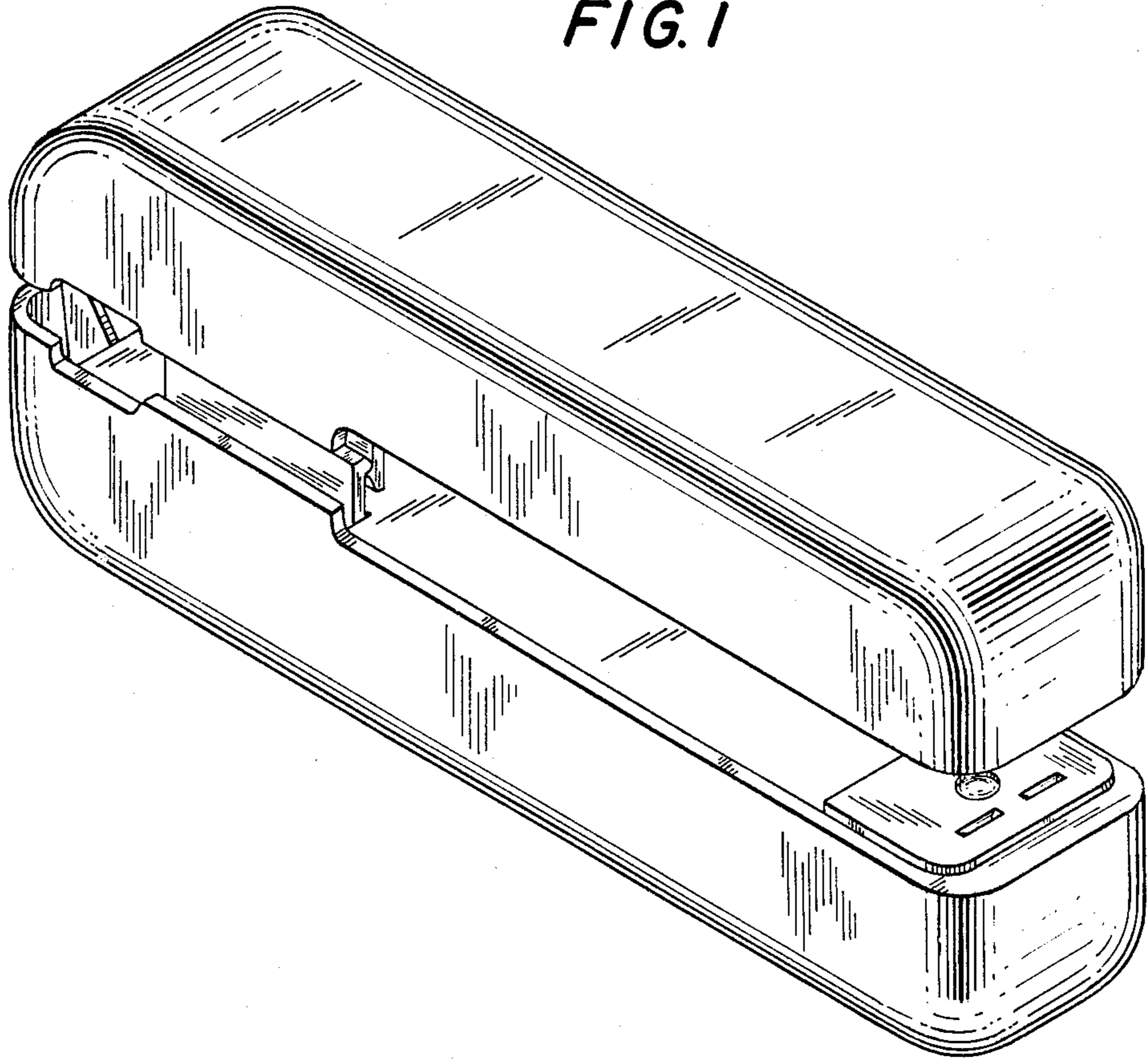


FIG. 2

FIG. 3

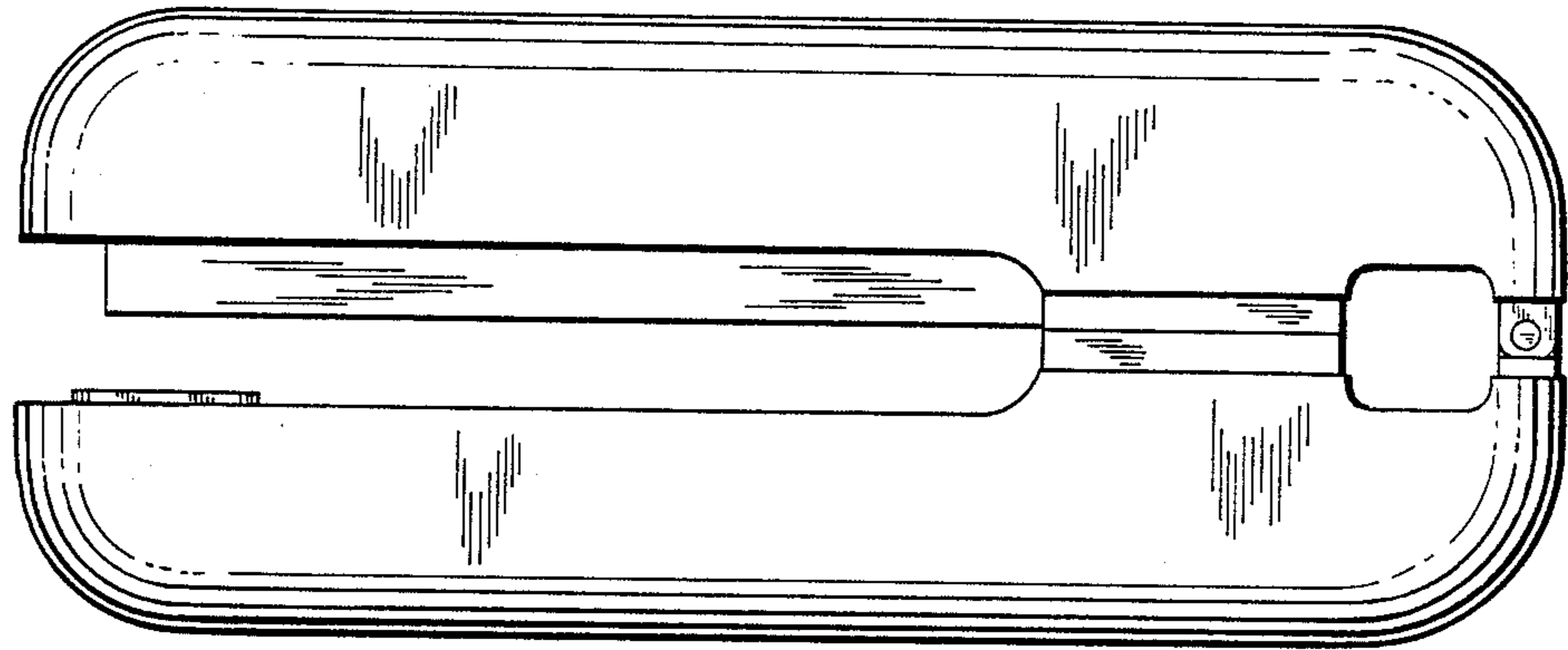


FIG. 4

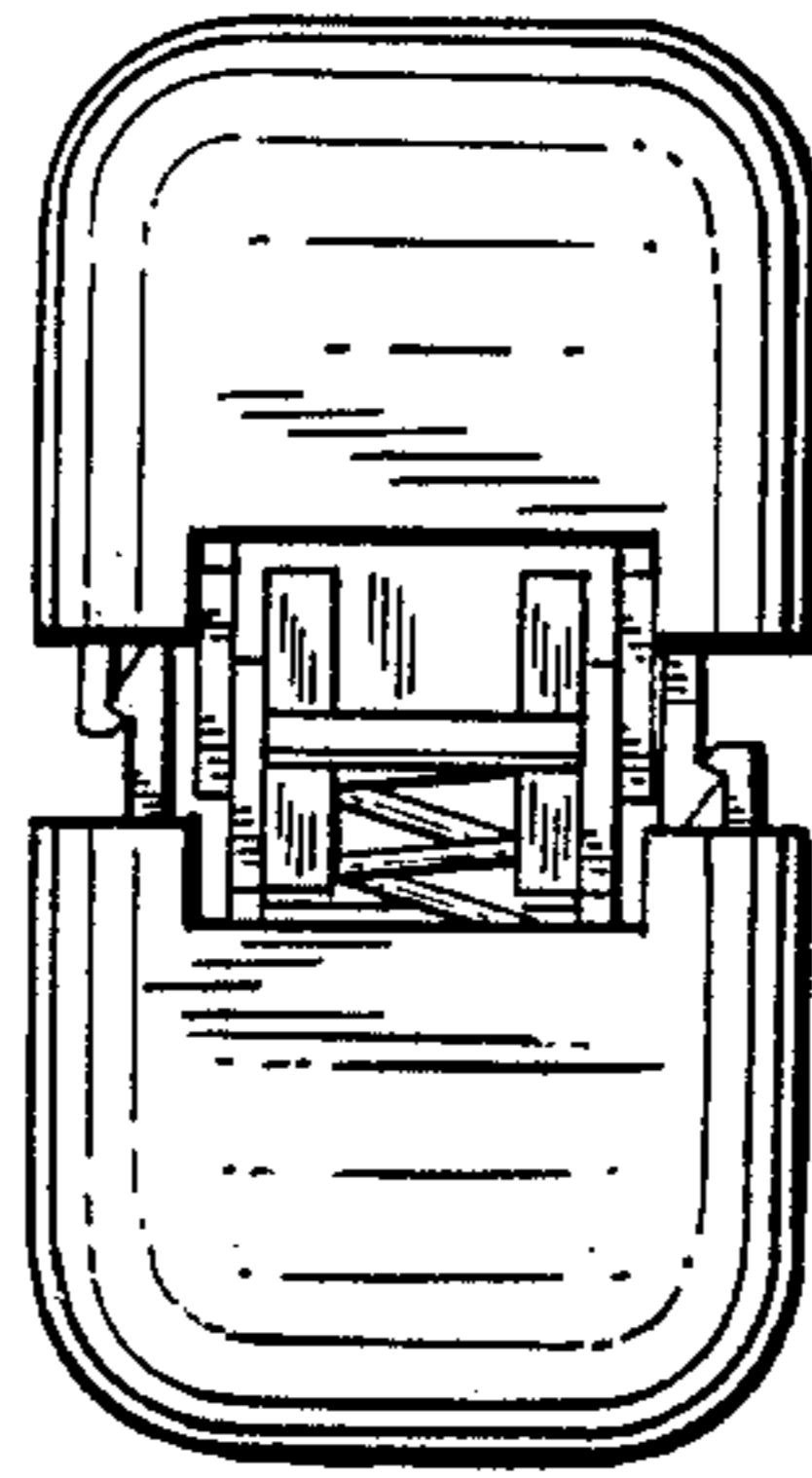


FIG. 5

