

[54] CARAFE

[75] Inventor: Masao Tsuji, Old Lyme, Conn.

[73] Assignee: North American Philips Corp., New York, N.Y.

[\*\*] Term: 14 Years

[21] Appl. No.: 943,288

[22] Filed: Dec. 17, 1986

[52] U.S. Cl. .... D7/319

[58] Field of Search ..... D7/309, 310, 316-319, D7/321, 312, 315, 322, 300, 77, 3, 393, 394

[56] References Cited

U.S. PATENT DOCUMENTS

- D. 261,344 10/1981 Maass ..... D7/309
- D. 290,216 6/1987 Precht ..... D7/309
- D. 291,525 8/1987 Classen ..... D7/309

OTHER PUBLICATIONS

*Schoner Wohnen*, Feb. 1977, p. 150, top center coffee machine "Aus Jenaer Glas", Carafe shown.  
*Schoner Wohnen*, Feb., 1977, p. 150, bottom left coffee machine "Wenn der Kaffee Fertig Gefiltert ist", Carafe shown.

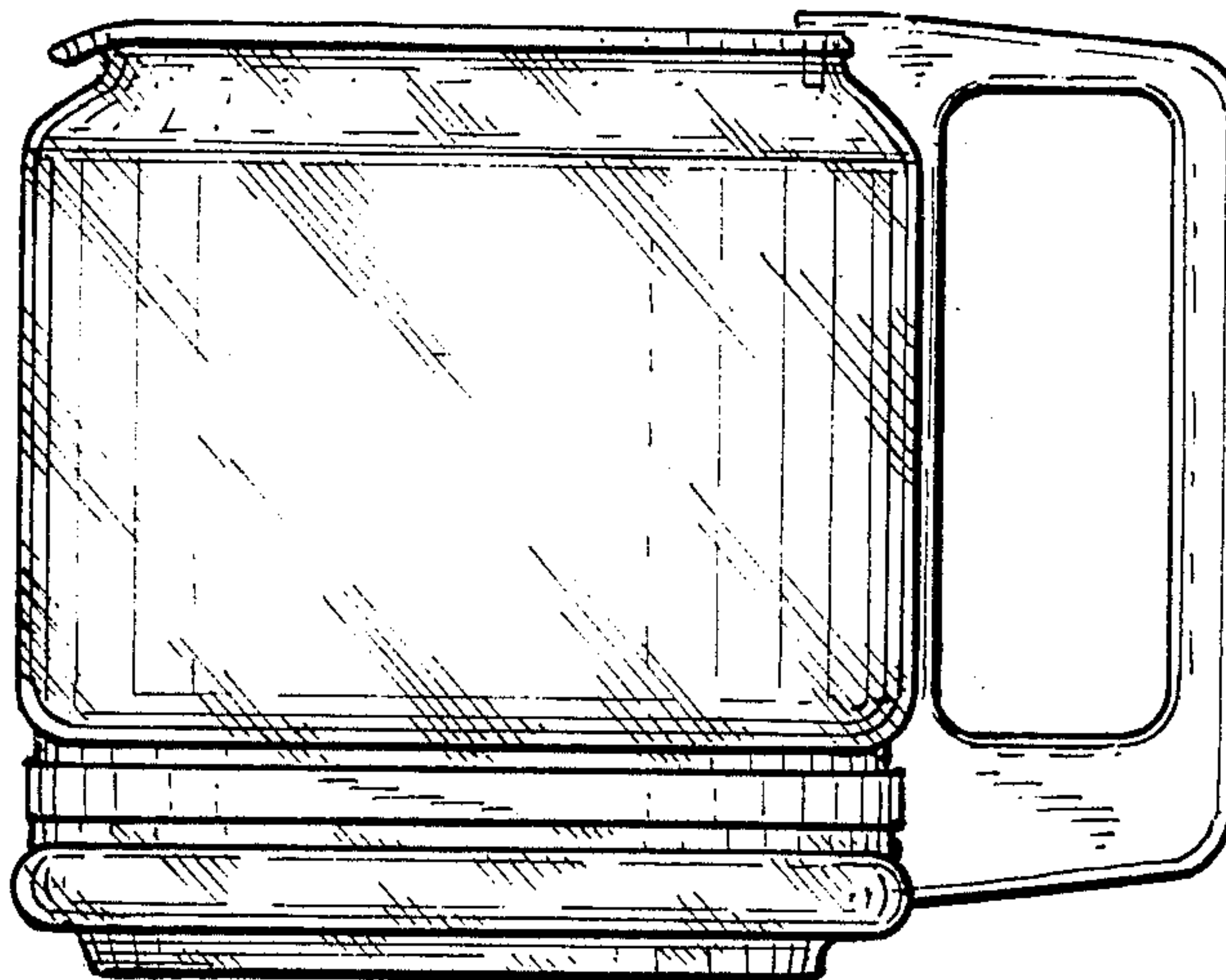
Primary Examiner—Winifred E. Herrmann  
 Attorney, Agent, or Firm—Ernestine C. Bartlett

[57] CLAIM

The ornamental design for a carafe, as shown and described.

DESCRIPTION

FIG. 1 is a right side elevational view of a carafe showing my new design, the left side elevational view thereof being a mirror image;  
 FIG. 2 is a top plan view thereof;  
 FIG. 3 is a bottom plan view thereof;  
 FIG. 4 is a front elevational view thereof; and  
 FIG. 5 is a rear elevational view thereof.



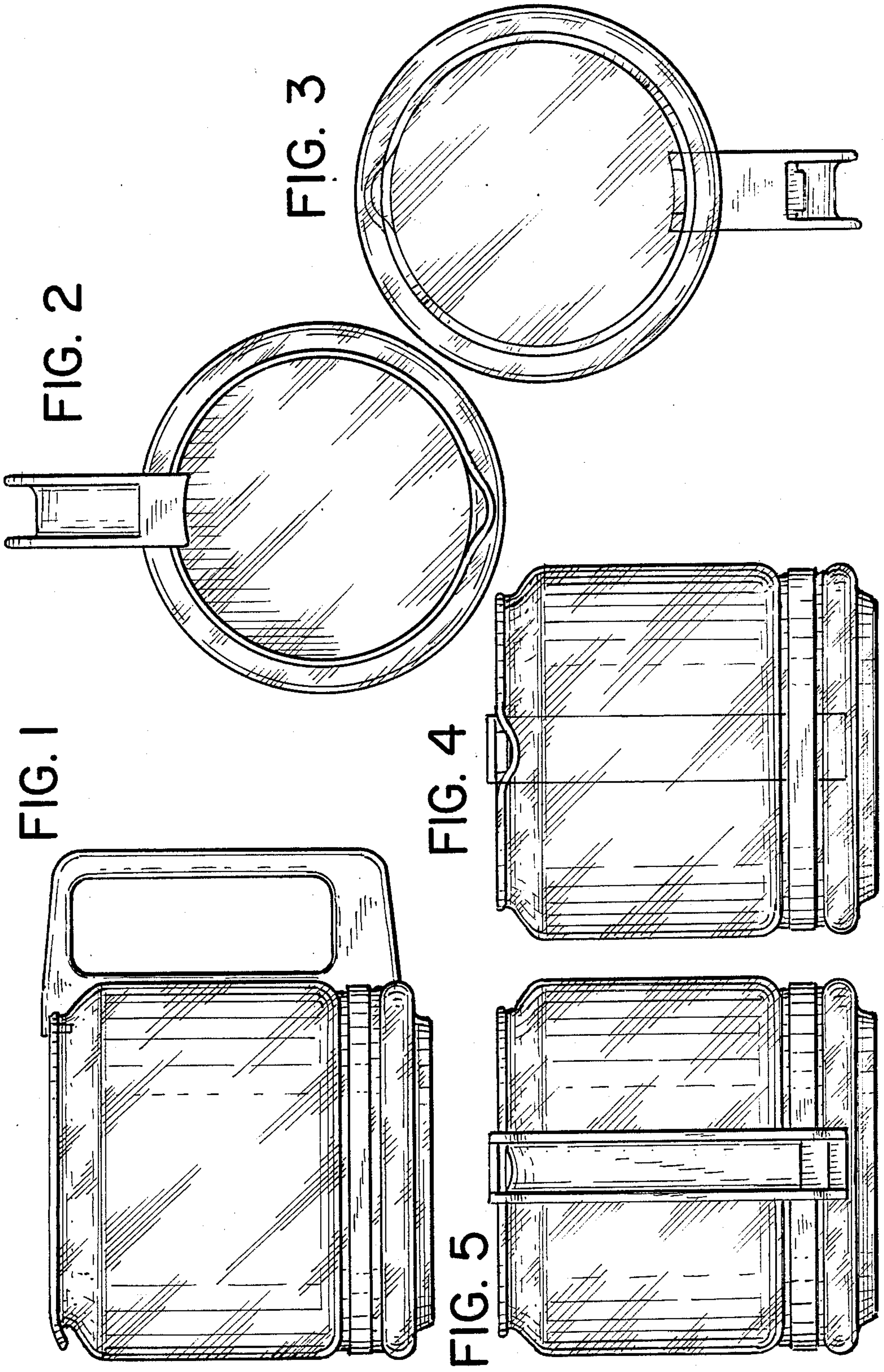


FIG. 1

FIG. 2

FIG. 3

FIG. 4

FIG. 5