

[54] FULL BACK TOWER BEVERAGE DISPENSER

[75] Inventors: Alvin H. Schechter, New York, N.Y.; Carl R. Thompson, Stratford, Conn.

[73] Assignee: The Coca-Cola Company, Atlanta, Ga.

[**] Term: 14 Years

[21] Appl. No.: 841,750

[22] Filed: Mar. 5, 1986

[52] U.S. Cl. D7/308

[58] Field of Search 141/198, 207, 234, 95, 141/361; 222/129.1-129.4, 132; D7/305, 311, 306, 307-309, 300, 398, 397, 312; D20/4, 5

[56] . References Cited

U.S. PATENT DOCUMENTS

D. 188,909	9/1960	Maxson	D7/309
D. 202,688	11/1965	Cornelius	D7/311
D. 215,045	8/1969	Benjamin	D7/309
D. 215,259	11/1969	Syverson	D7/308
D. 218,083	7/1970	Hartley	D7/308
D. 226,391	8/1975	Audette	D7/308
D. 230,902	3/1974	Fogel	D7/308
D. 231,502	4/1974	Allard	D7/308
D. 231,575	4/1974	Syverson	D7/308
D. 234,832	4/1975	Syverson	D7/308
D. 234,833	4/1975	Syverson	D7/308
D. 238,721	2/1976	Buffington	D7/308
D. 242,084	10/1976	Moreton	D7/311
D. 242,498	11/1976	Syverson	D7/308
D. 254,255	2/1980	Kiser	D7/308
D. 258,455	3/1981	Stafford	D20/4
D. 259,725	6/1981	Wasserstrom et al.	D7/308
D. 260,996	9/1981	Cornett	D7/308
4,236,553	12/1980	Reichenberger	141/198
4,582,226	4/1986	Doak	222/129.1 X

OTHER PUBLICATIONS

Restaurants & Institutions, Jun. 1, 1982, p. 62-70, Cornelius Co., SF-1 Valve/bottom right Dispenser.

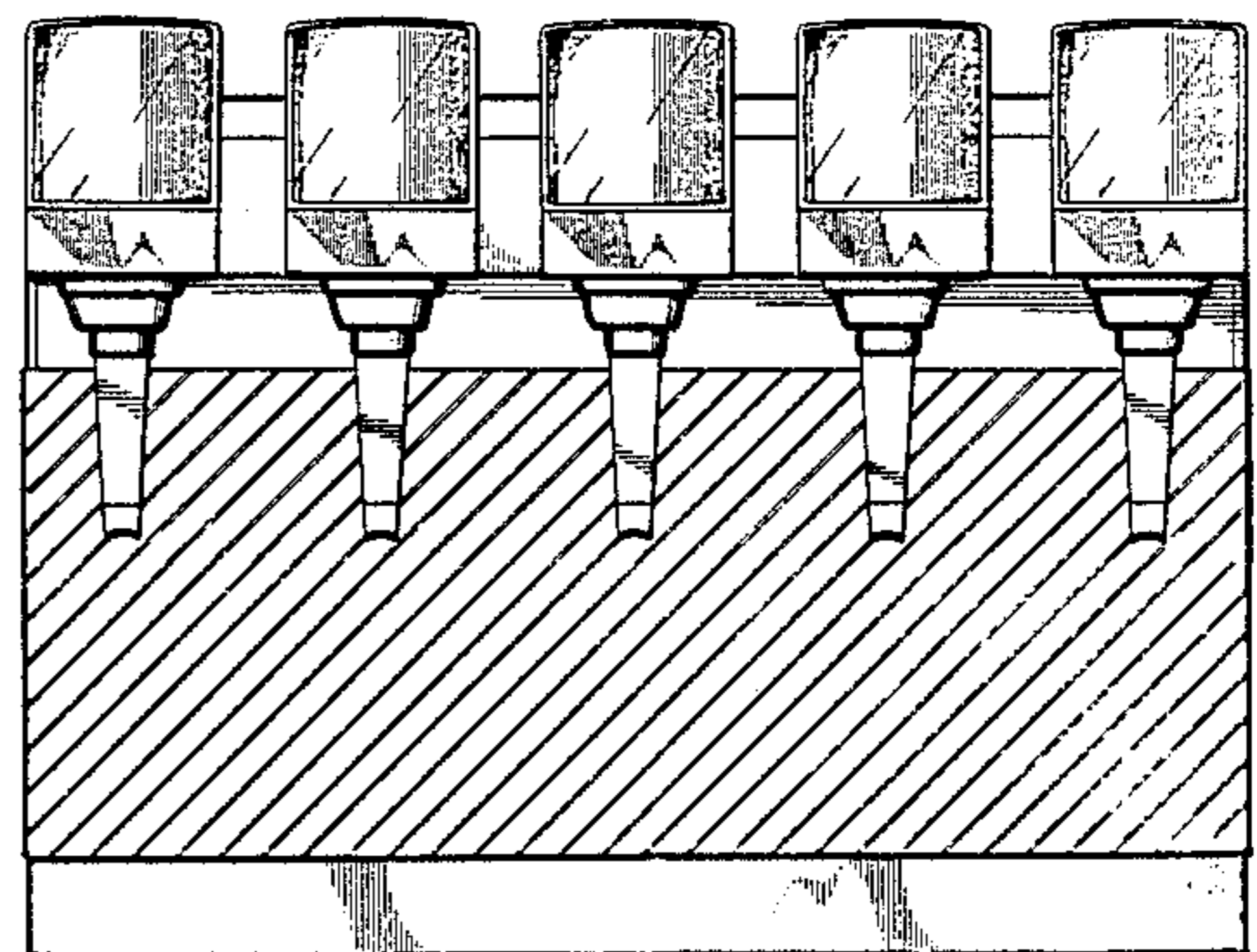
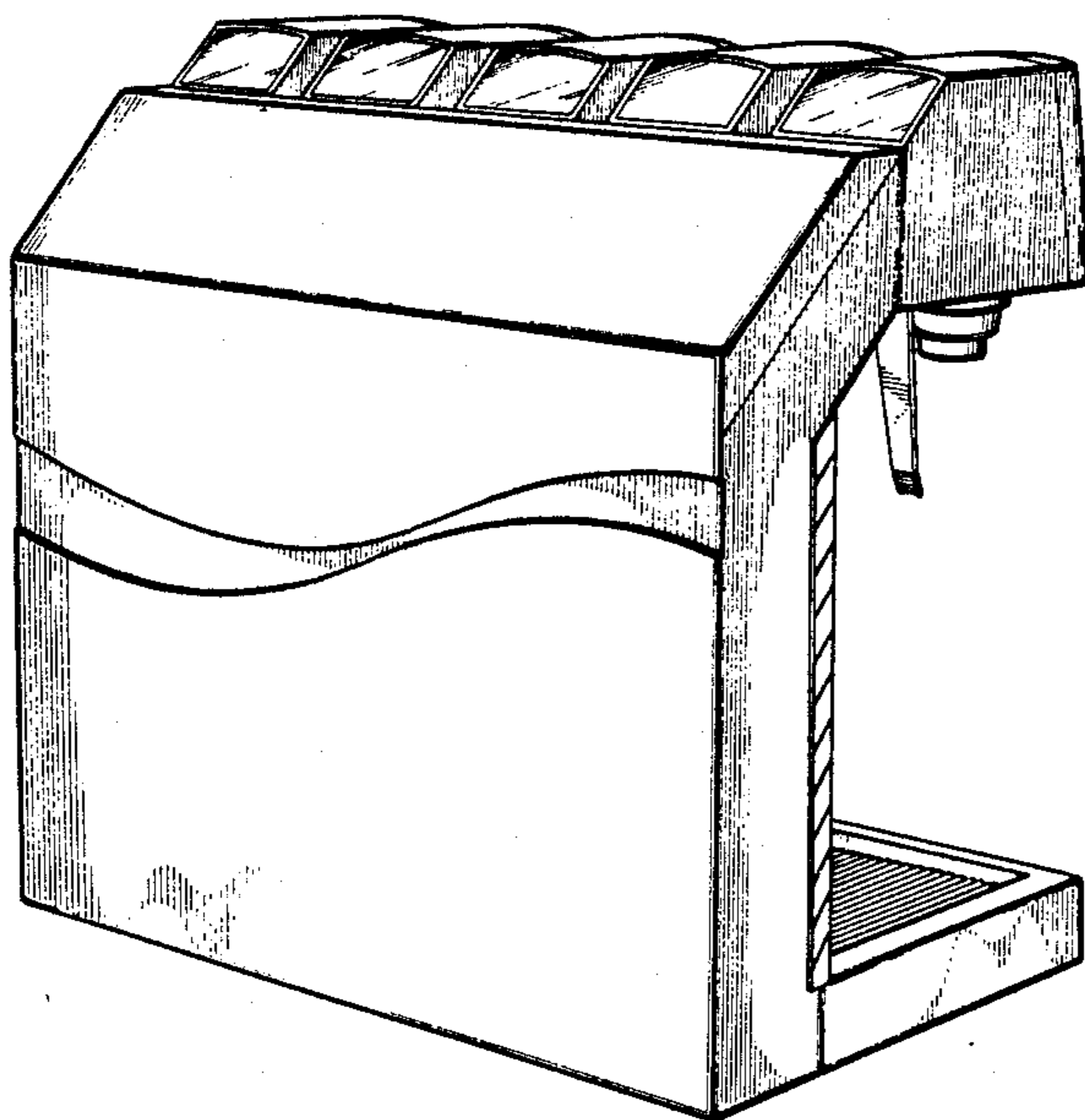
Primary Examiner—Winifred E. Herrmann
Attorney, Agent, or Firm—Thomas R. Boston; W. Dexter Brooks

[57] CLAIM

The ornamental design for a full back tower beverage dispenser, as shown and described.

DESCRIPTION

FIG. 1 is a top front right side perspective view of a full back tower beverage dispenser showing our new design;
 FIG. 2 is a left side elevational view thereof; and
 FIG. 3 is a right side elevational view thereof;
 FIG. 4 is a front elevational view thereof;
 FIG. 5 is a rear elevational view thereof;
 FIG. 6 is a top plan view thereof; and
 FIG. 7 is a bottom plan view thereof.
 FIG. 8 is top front right side perspective view of a first modified form of our new design;
 FIG. 9 is a left side elevational view thereof;
 FIG. 10 is a right side elevational view thereof;
 FIG. 11 is a front elevational view thereof;
 FIG. 12 is a rear elevational view thereof;
 FIG. 13 is a top plan view thereof; and
 FIG. 14 is bottom plan view thereof.
 FIG. 15 is a top front right side perspective view of a second modified form of our new design;
 FIG. 16 is a left side elevational view thereof;
 FIG. 17 is a right side elevational view thereof;
 FIG. 18 is a front elevational view thereof;
 FIG. 19 is a rear elevational view thereof;
 FIG. 20 is a top plan view thereof; and
 FIG. 21 is a bottom plan view thereof.



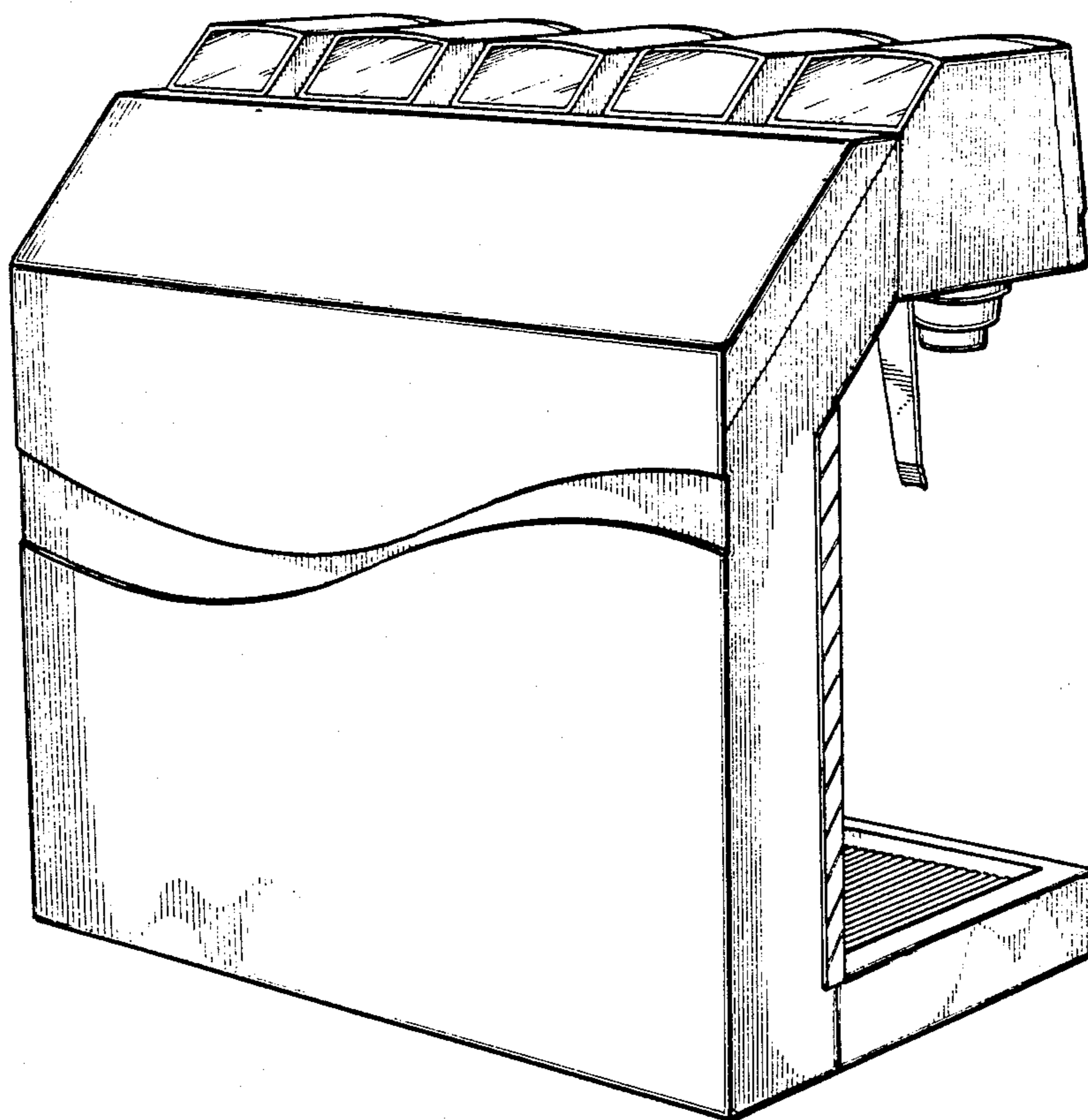


FIG 1

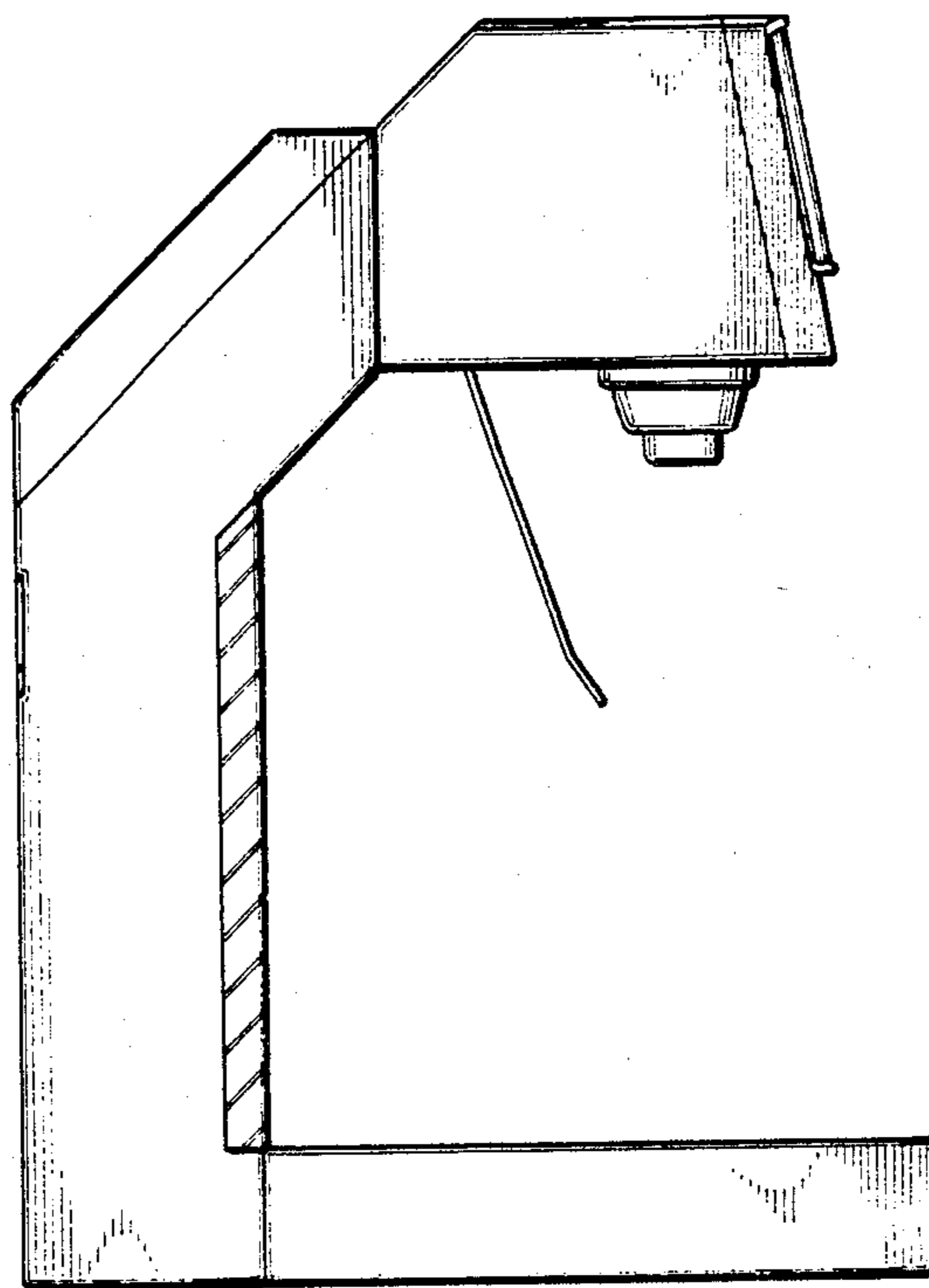


FIG 2

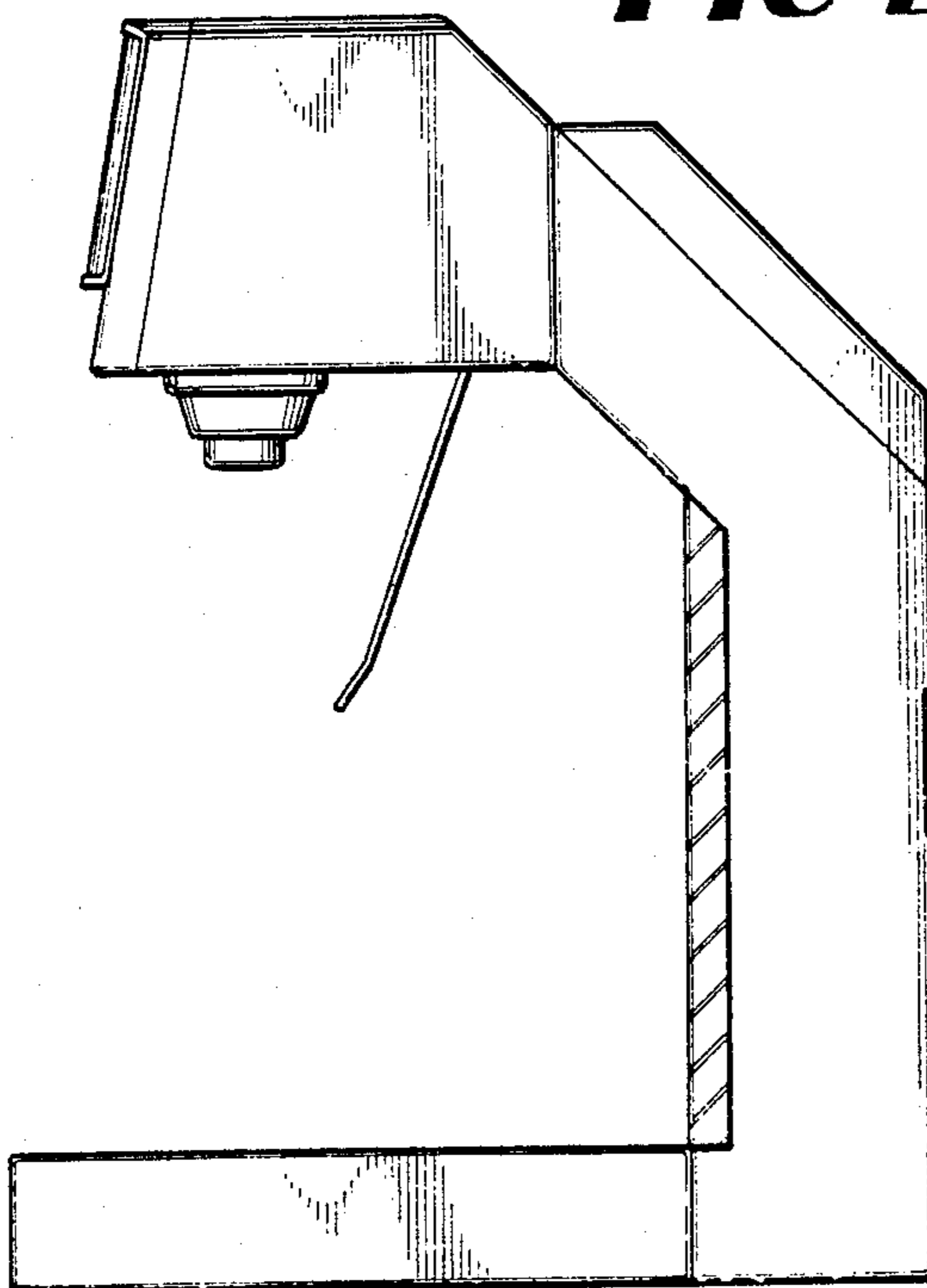


FIG 3

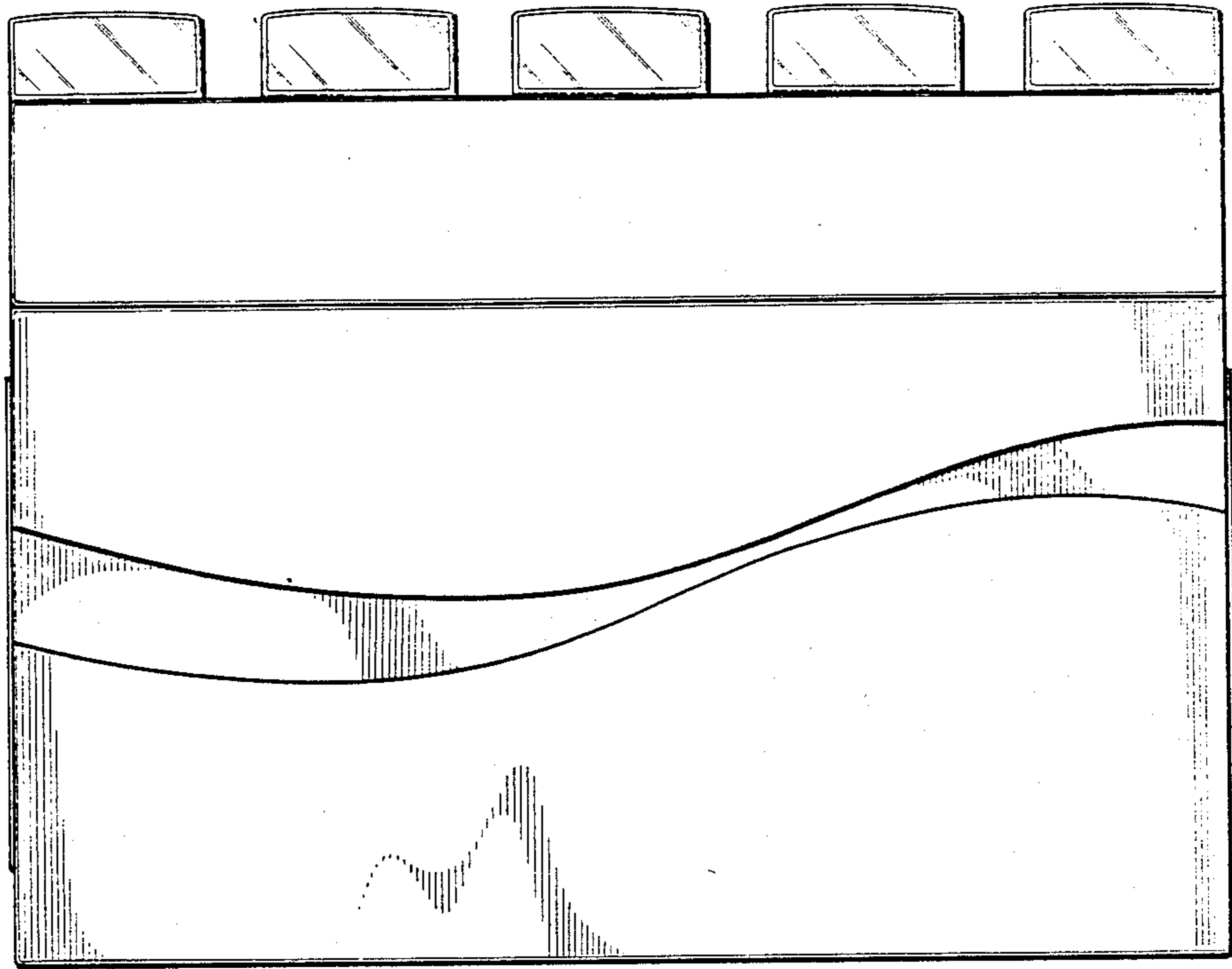


FIG 4

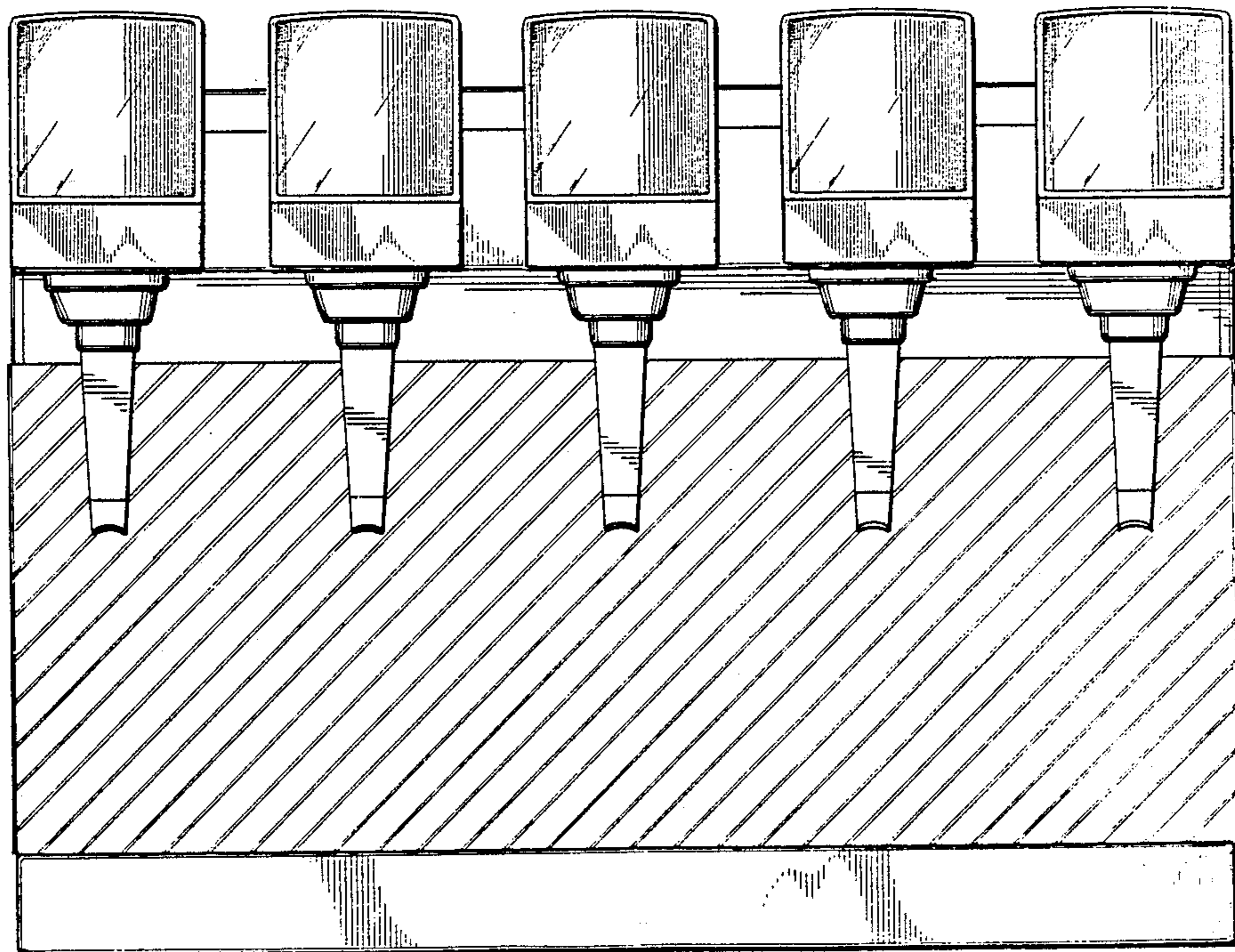


FIG 5

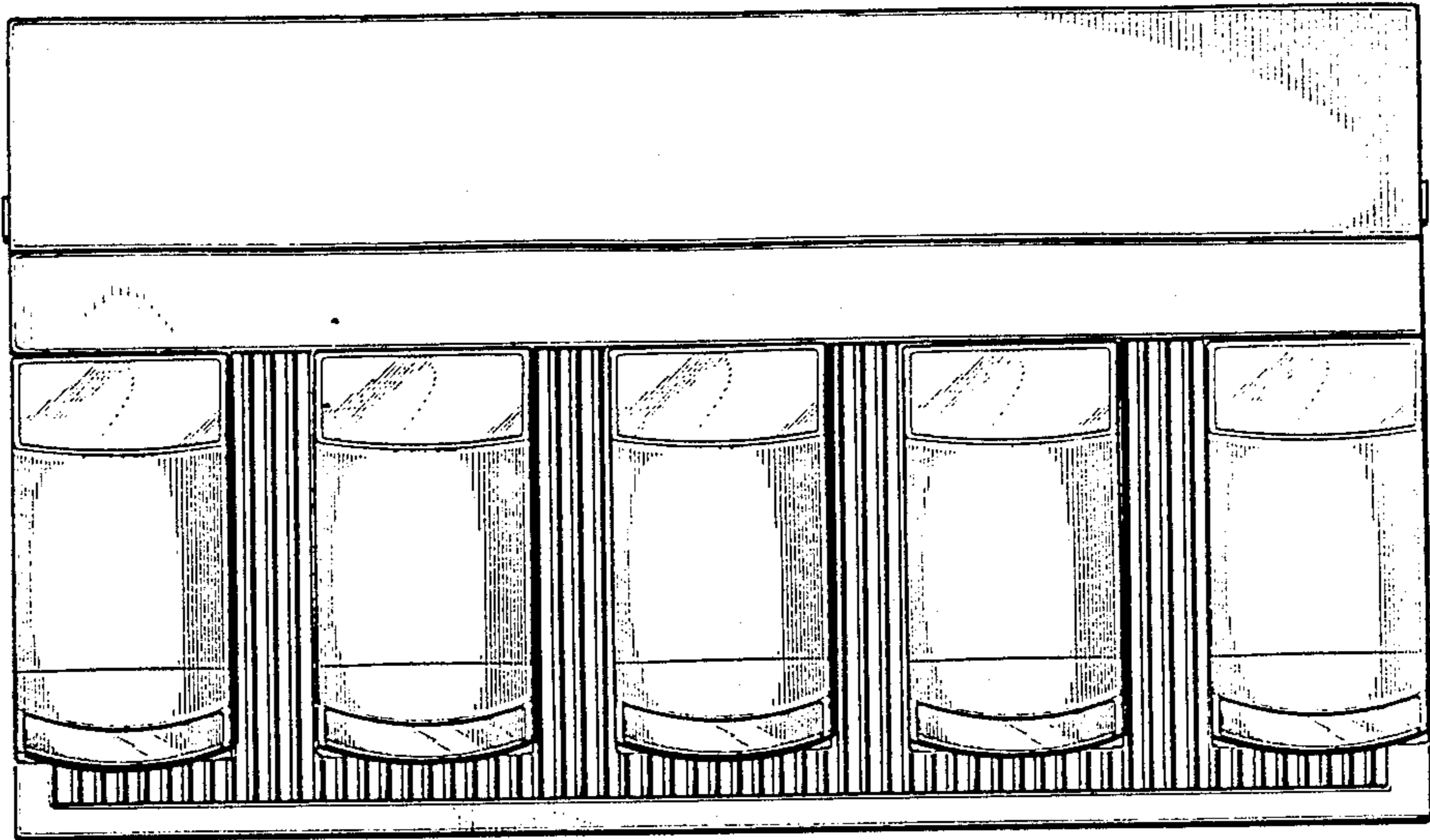


FIG 6

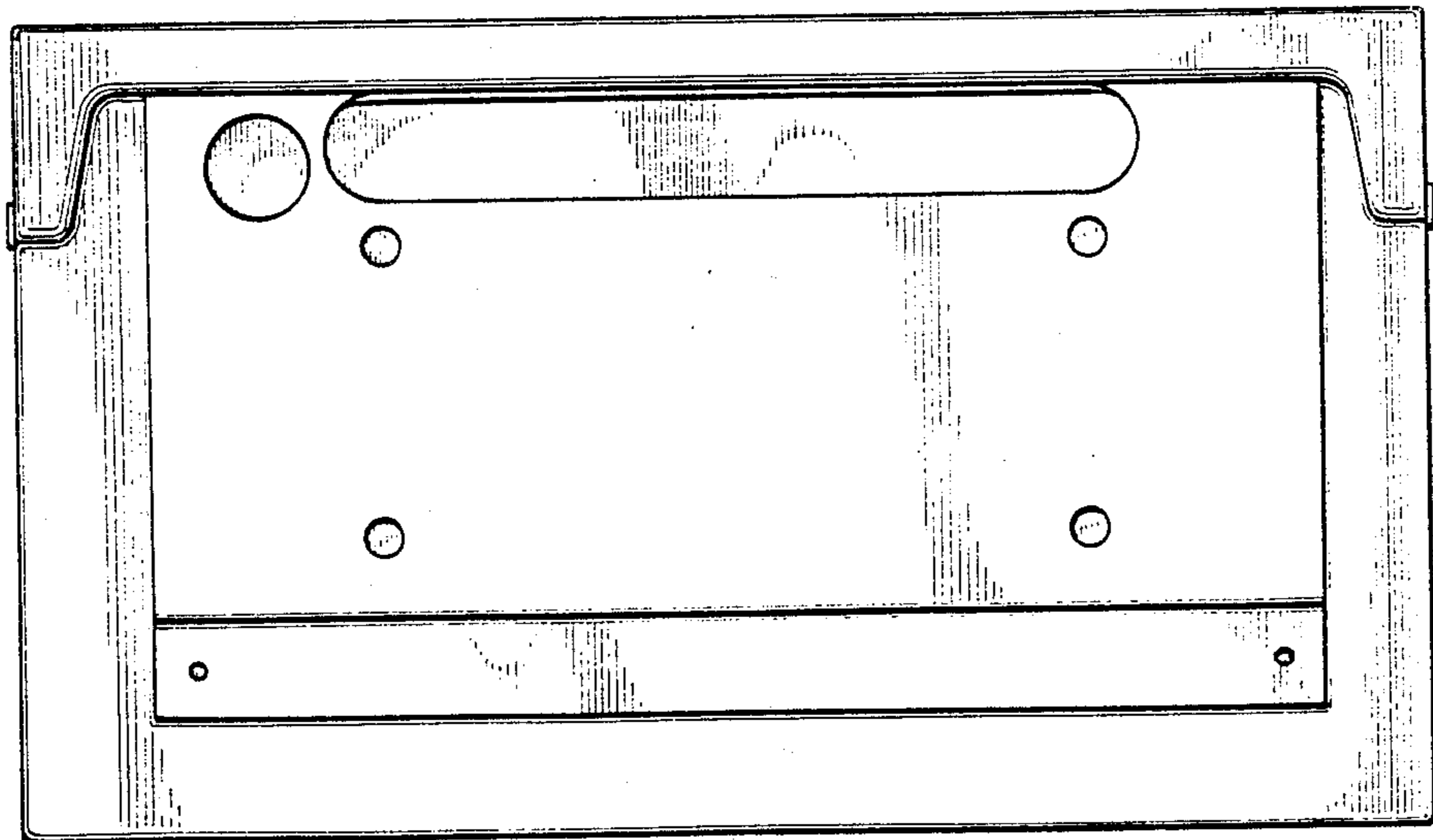


FIG 7

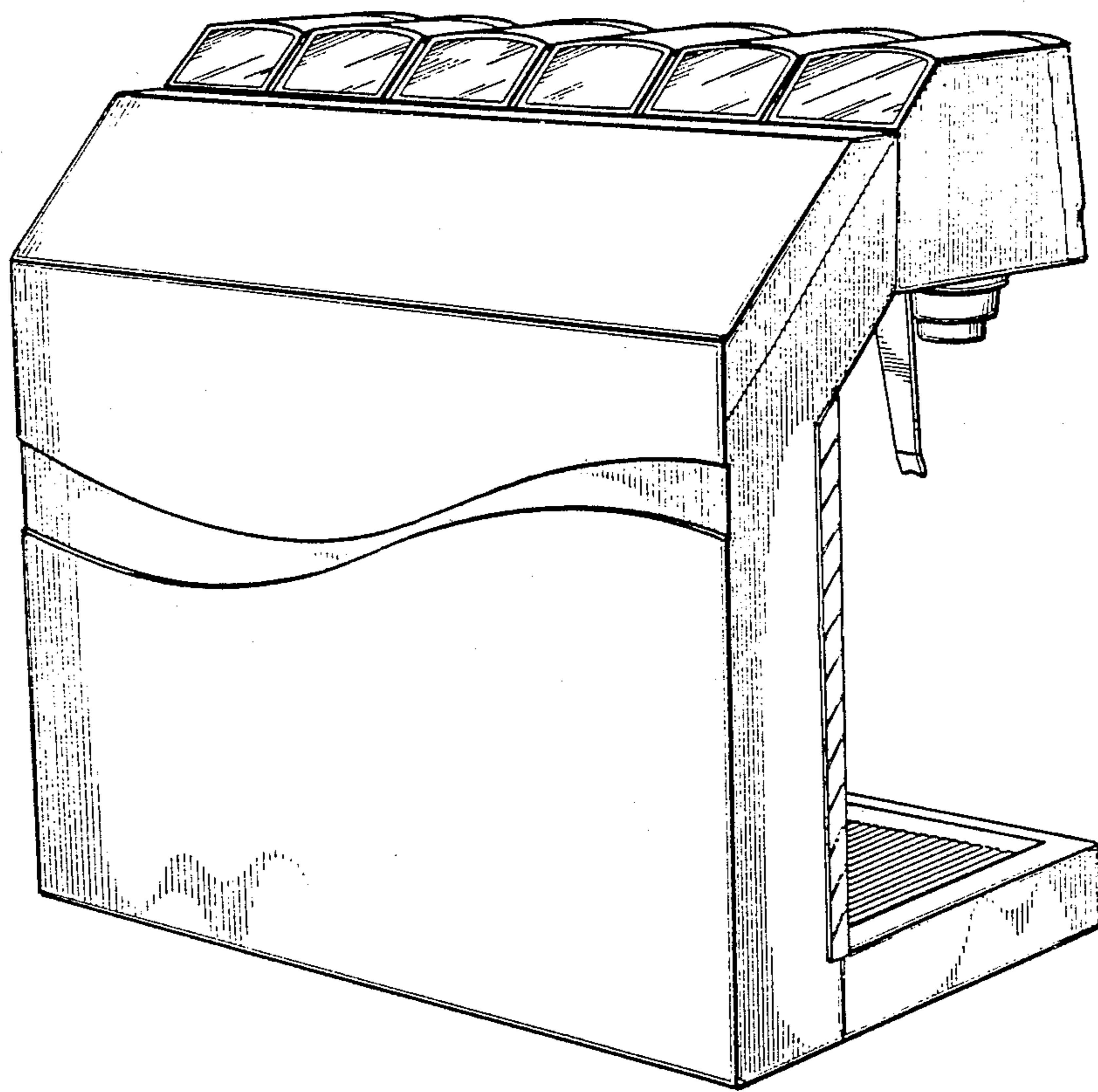


FIG 8

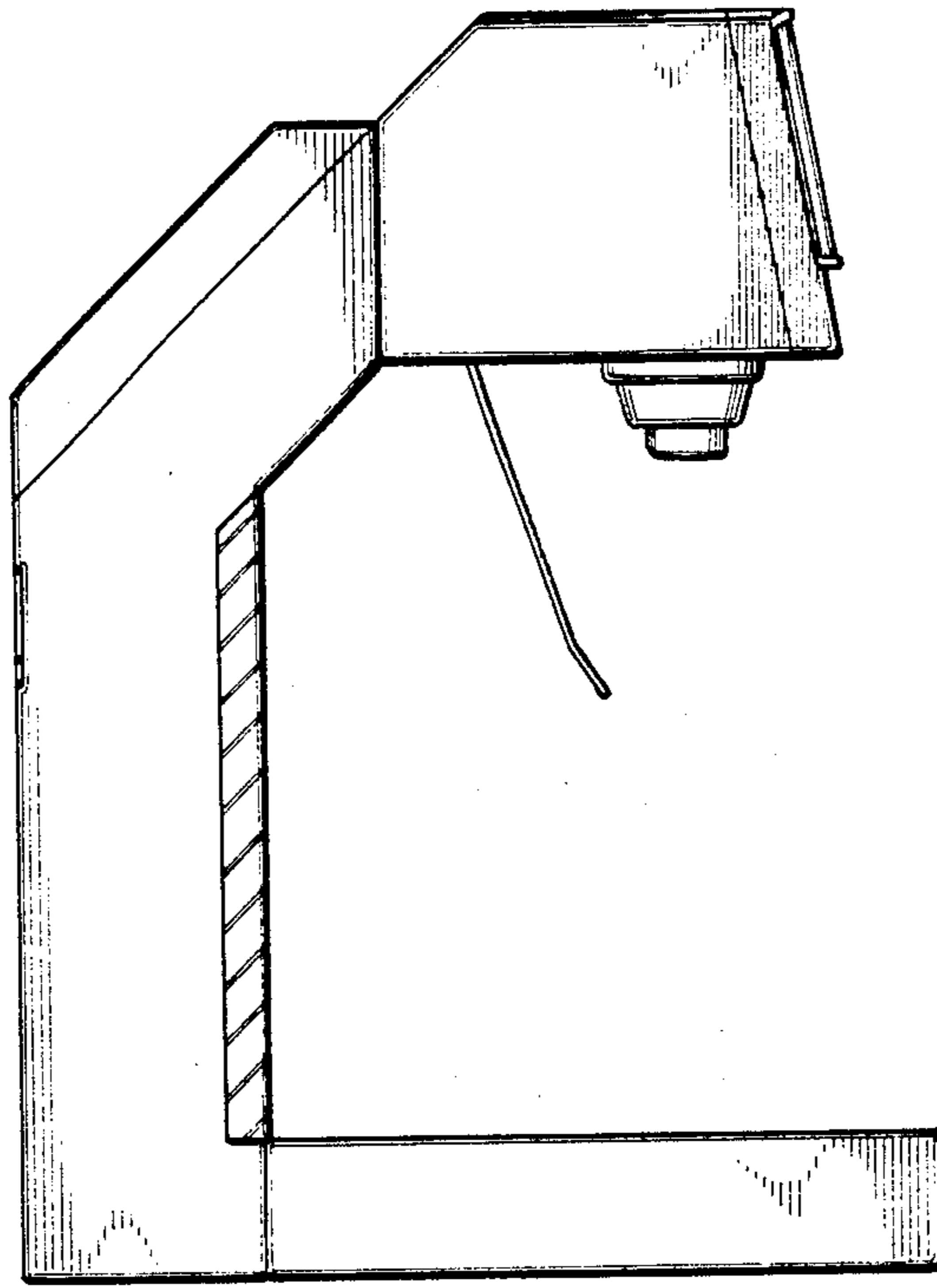


FIG 9

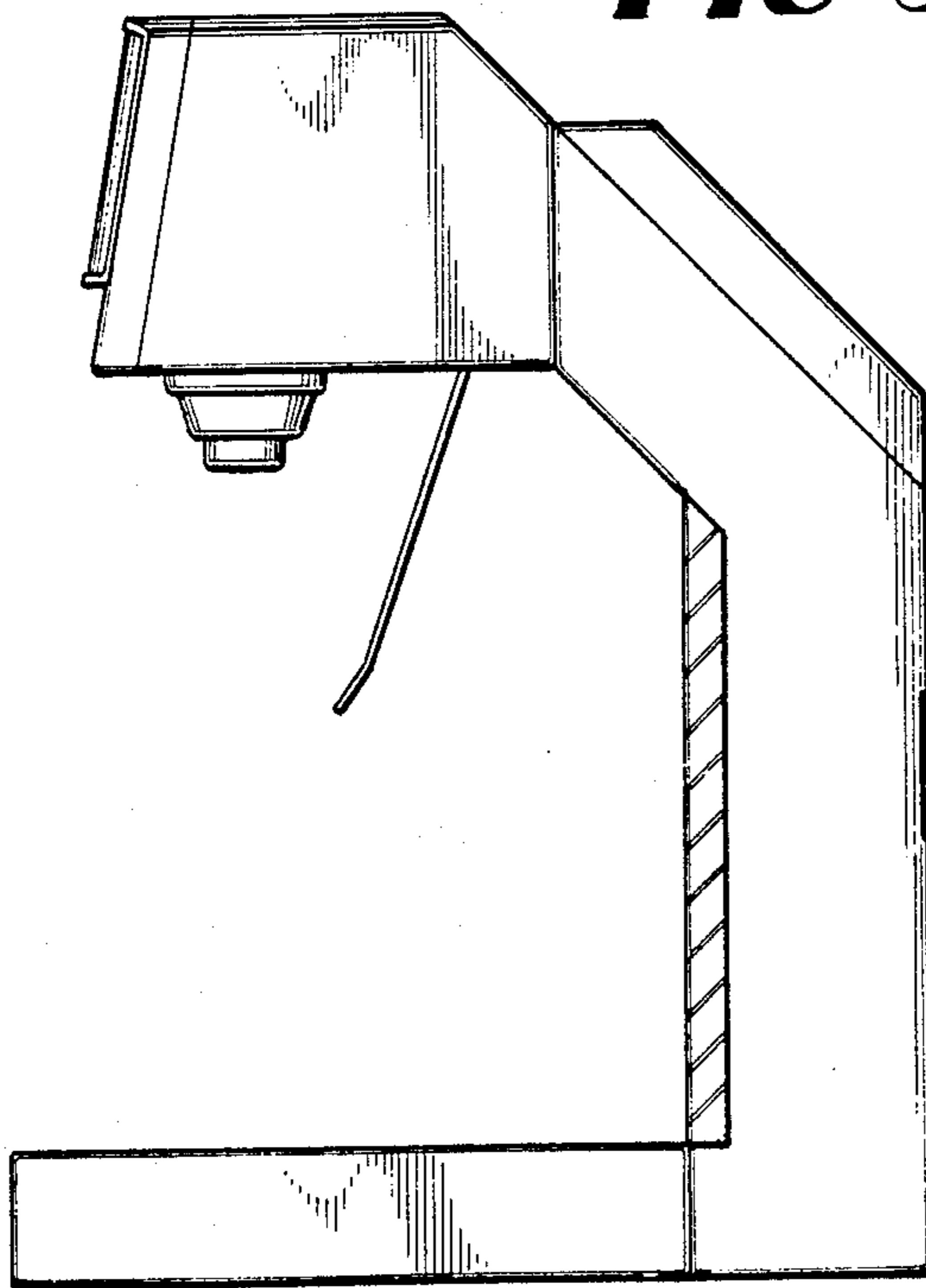


FIG 10

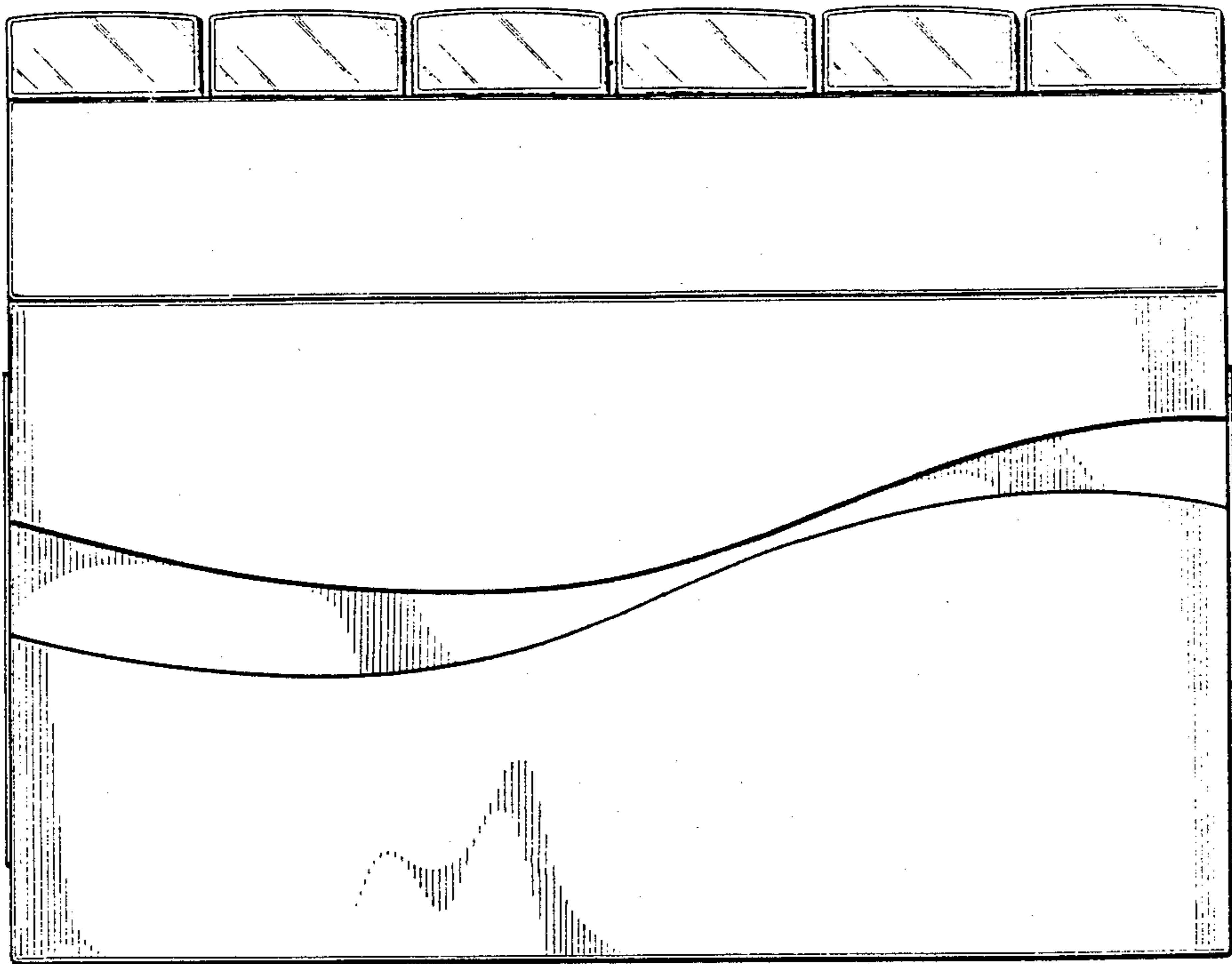


FIG 11

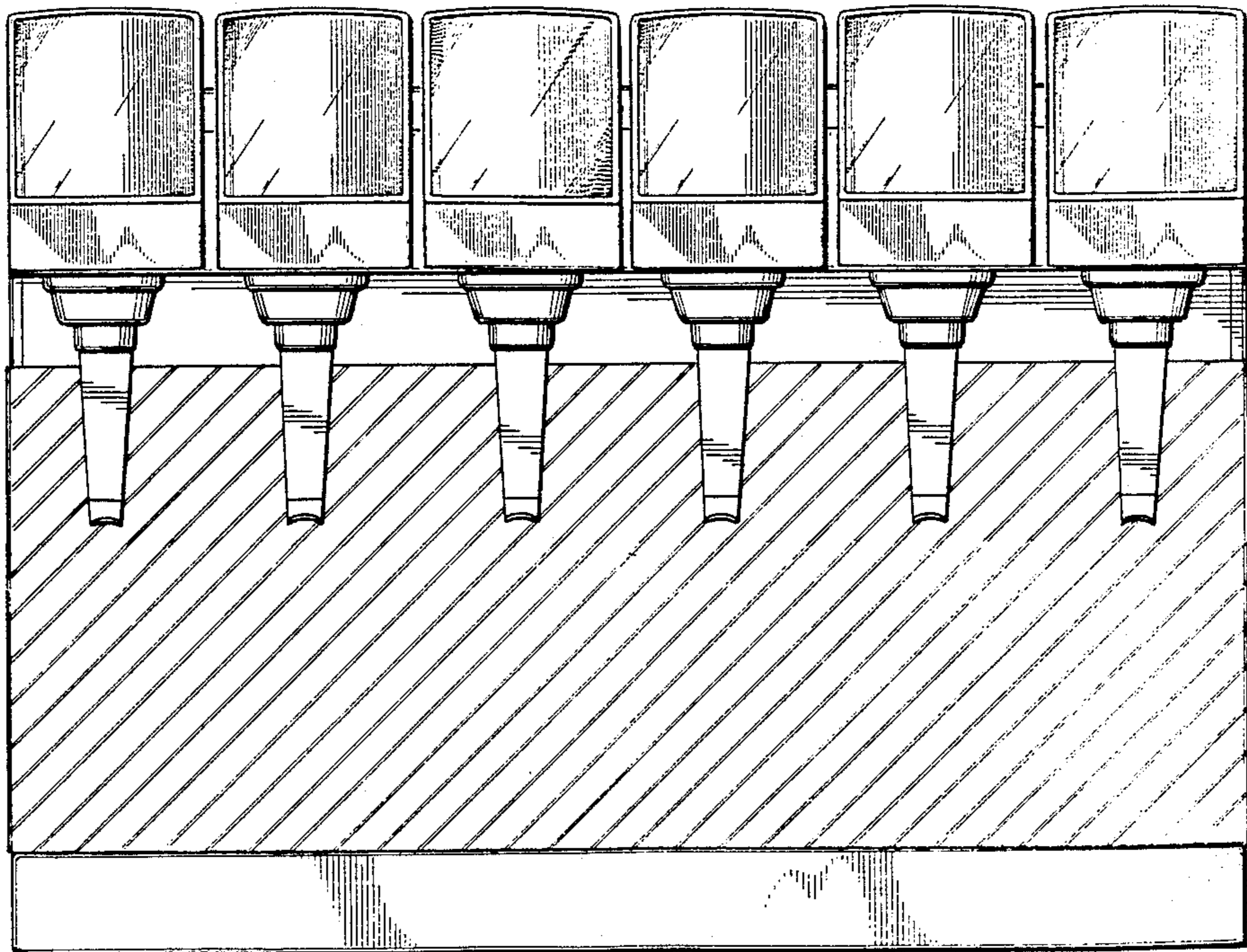


FIG 12

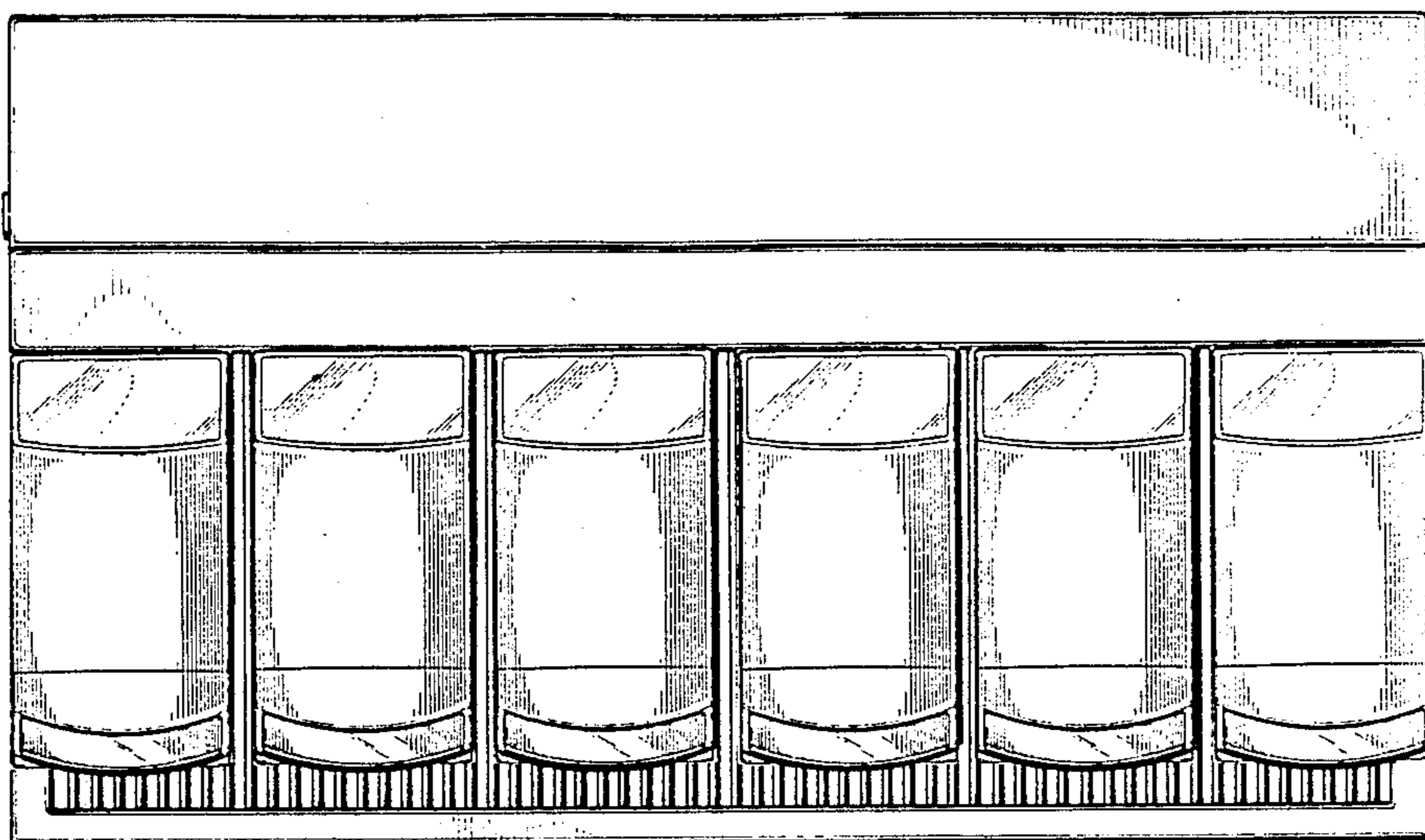


FIG 13

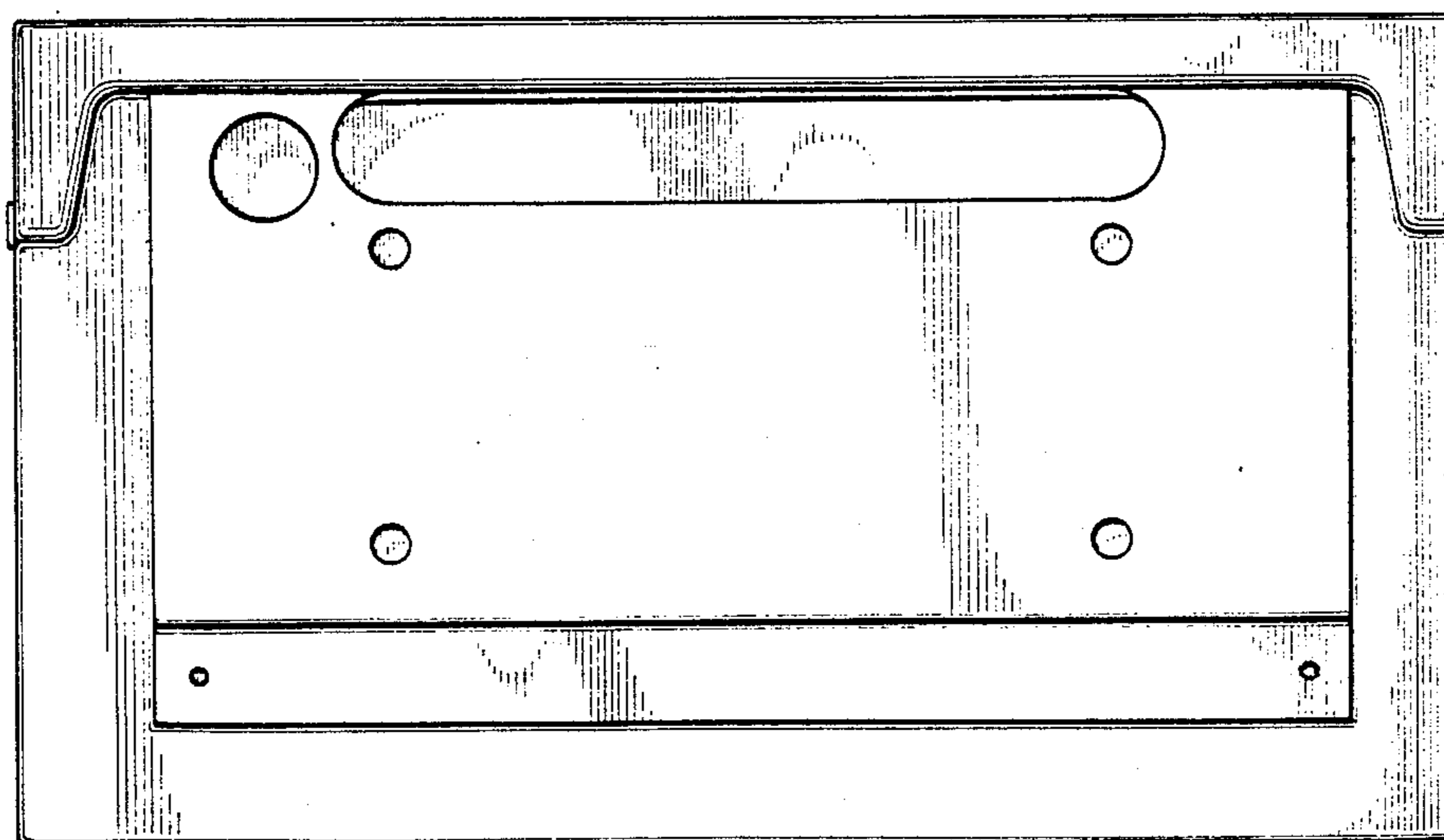


FIG 14

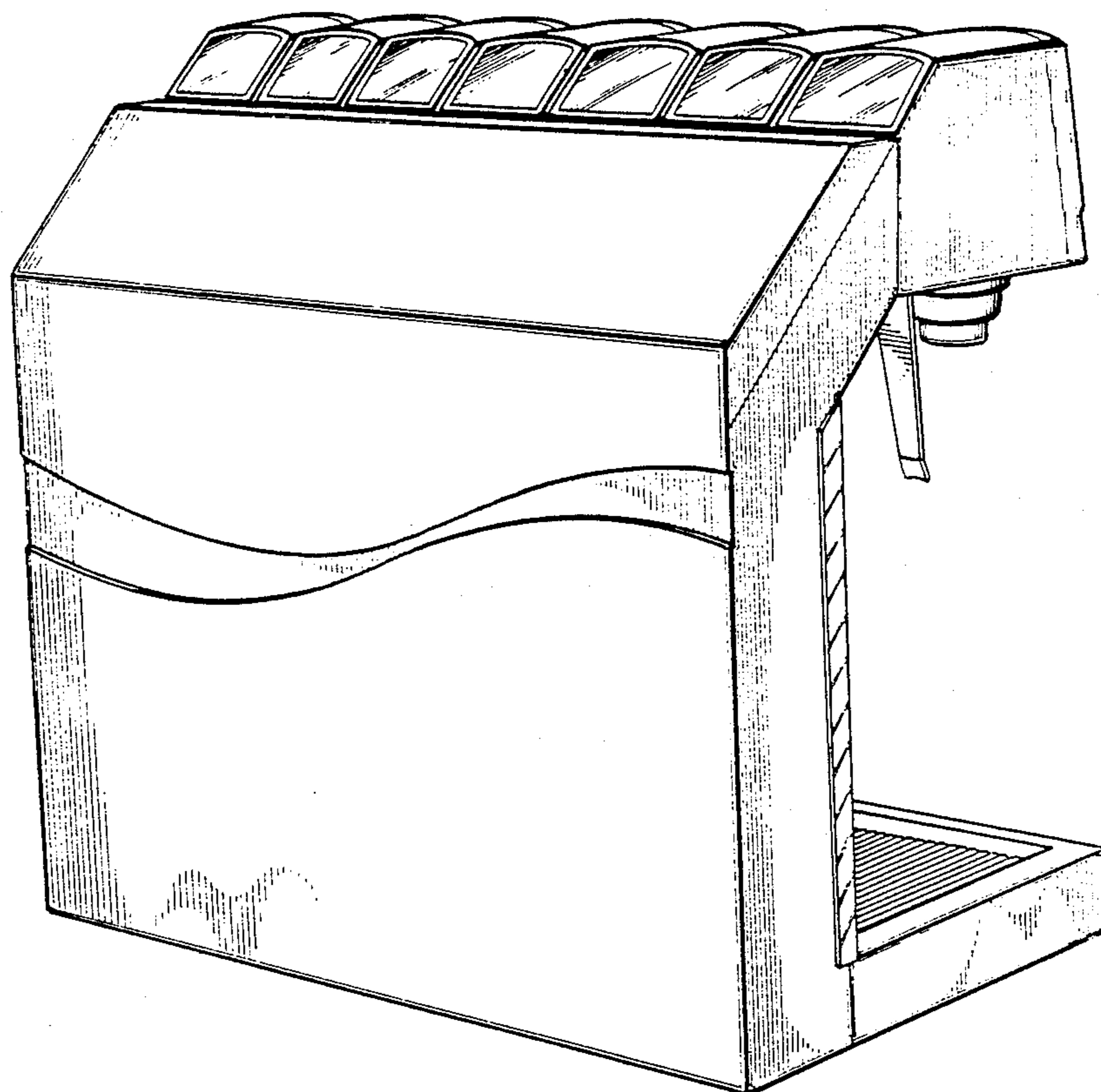


FIG 15

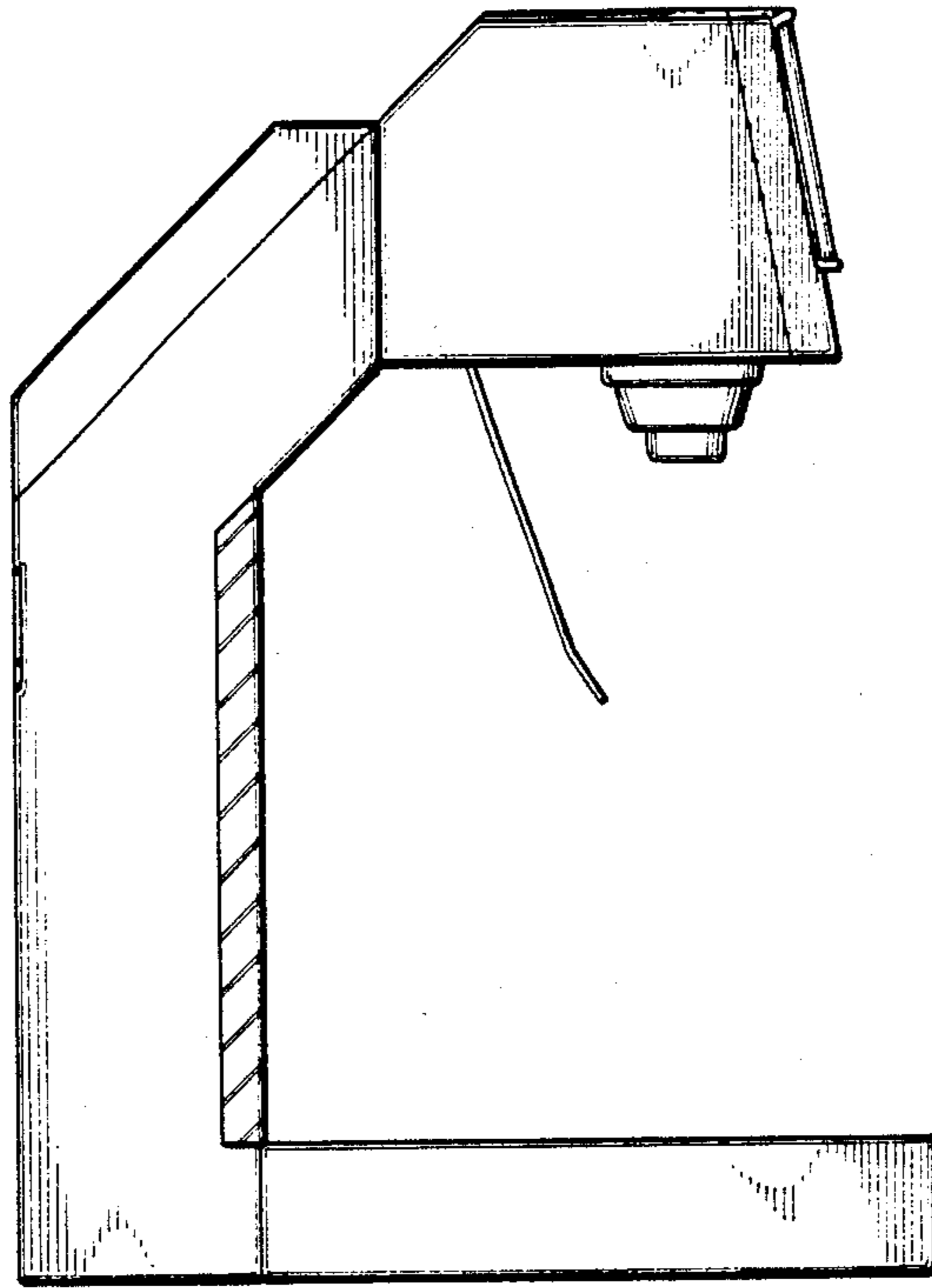


FIG 16

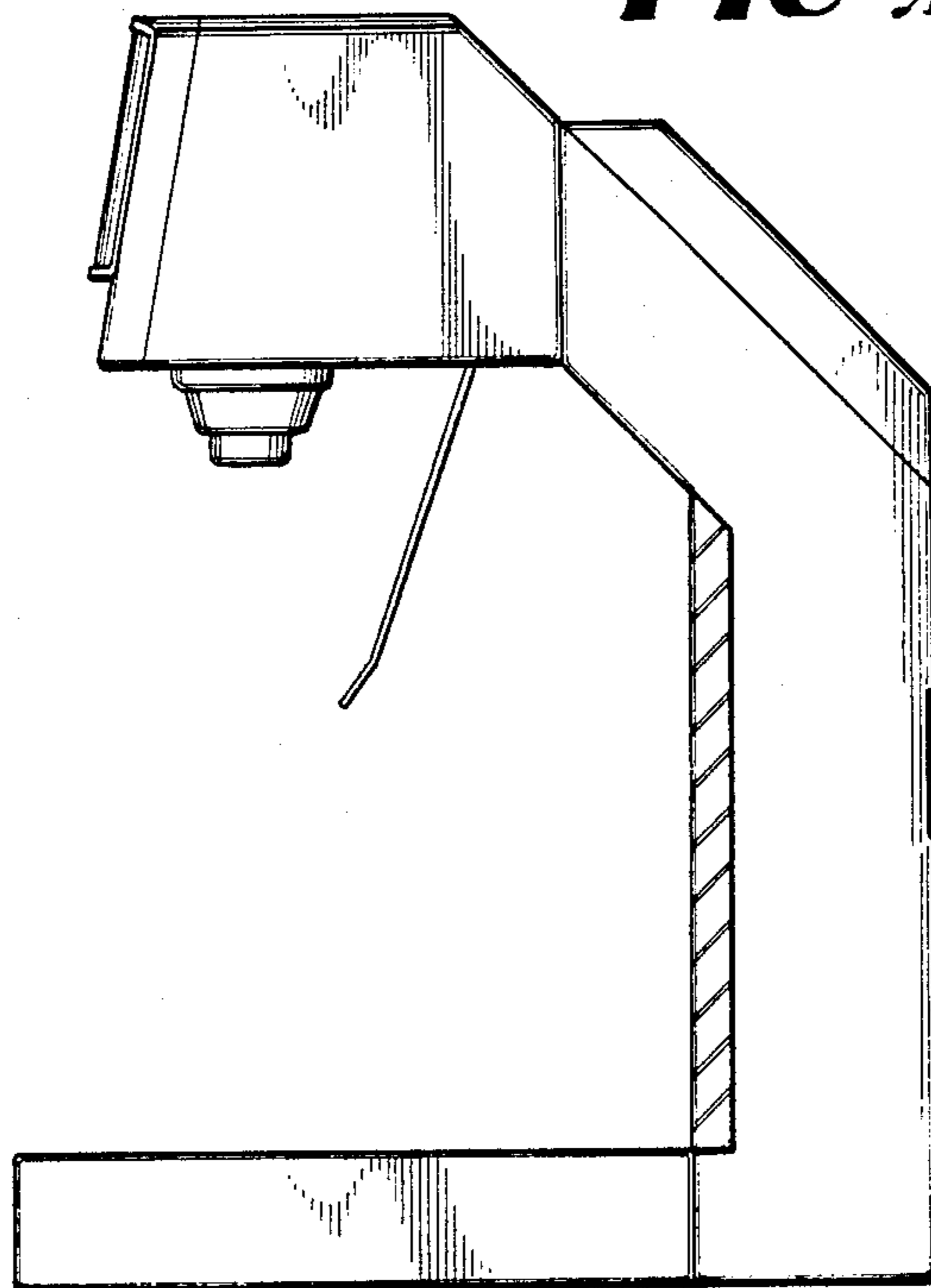


FIG 17

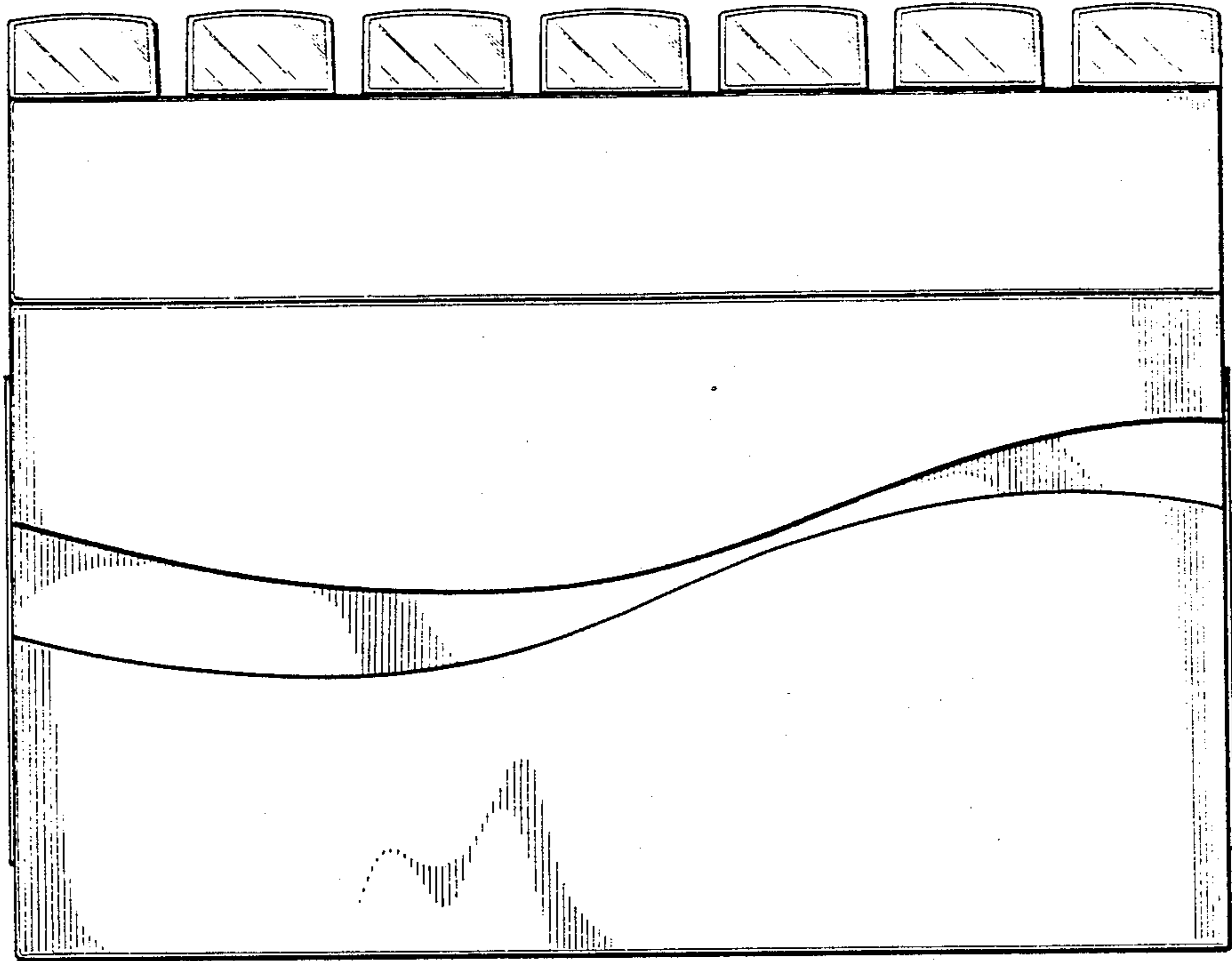


FIG 18

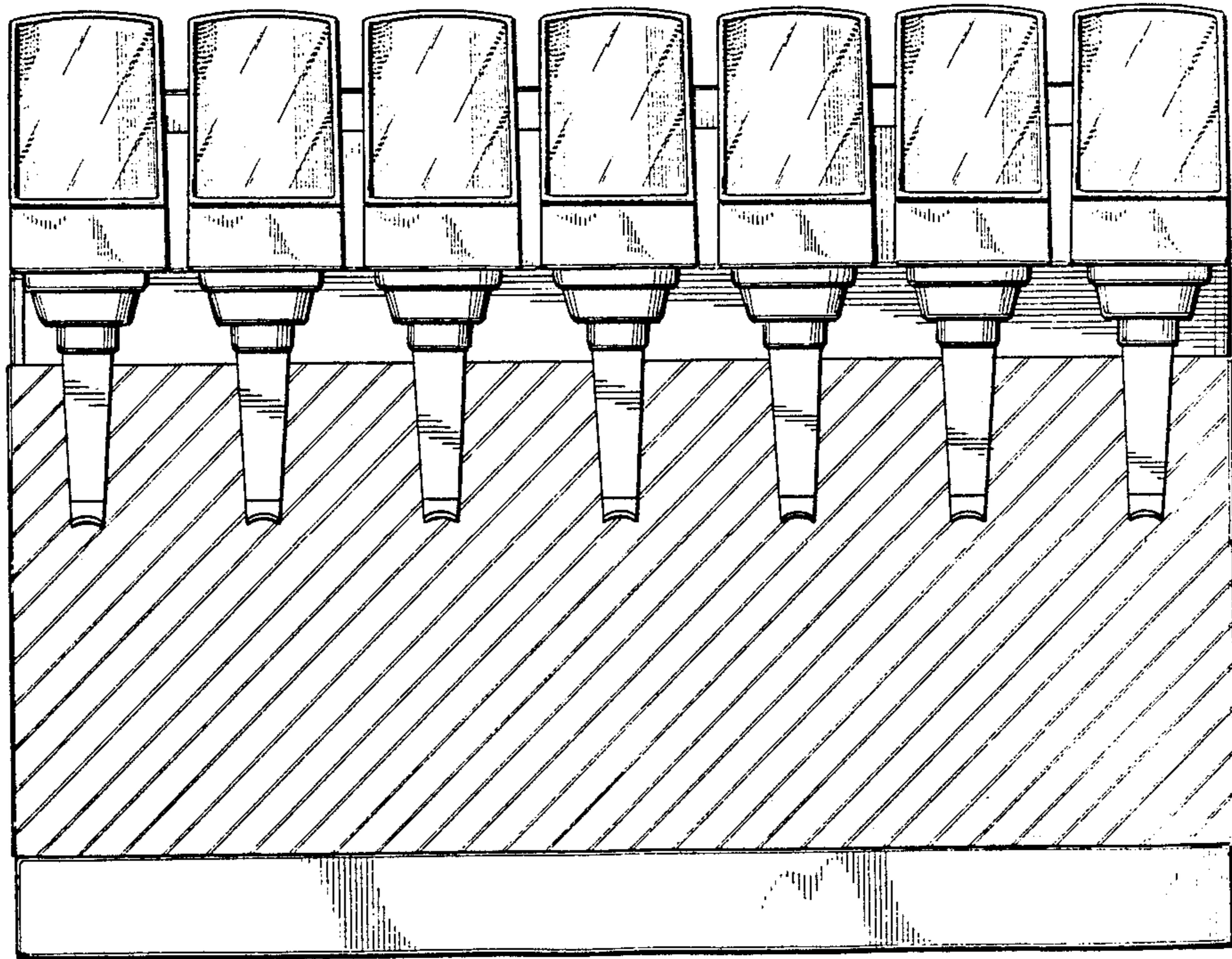


FIG 19

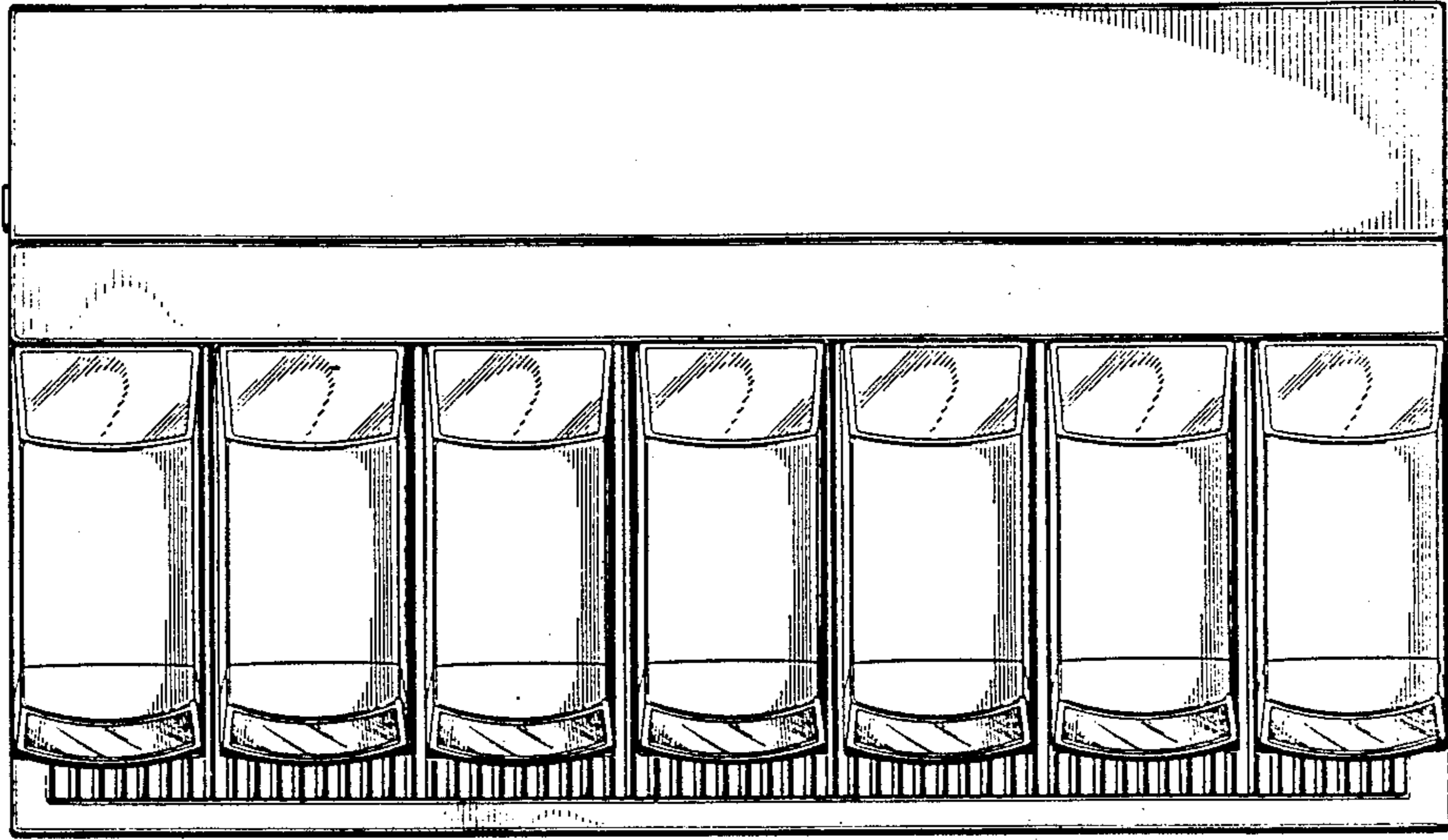


FIG 20

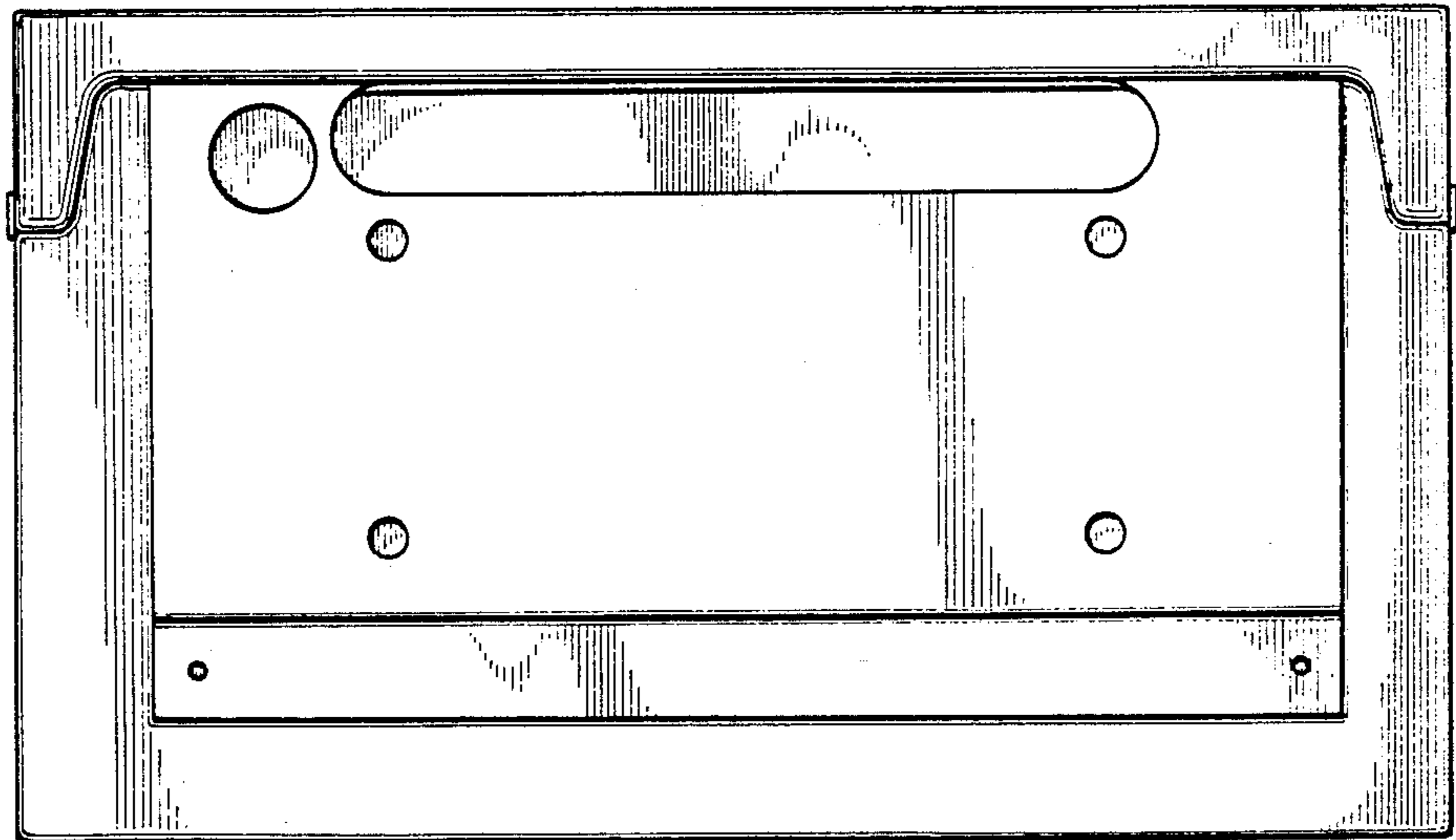


FIG 21