

[54] EARRINGS DISPLAY STAND

[76] Inventor: Janet L. Stewart, 1825 Tecalote Dr., Fallbrook, Calif. 92028

[**] Term: 14 Years

[21] Appl. No.: 869,923

[22] Filed: Jun. 2, 1986

[52] U.S. Cl. D6/467; D6/469

[58] Field of Search D6/462, 466, 467, 468, D6/469, 487; 211/13

[56] References Cited

U.S. PATENT DOCUMENTS

D. 242,670	12/1976	Northup	D6/469 X
D. 249,603	9/1978	DiBartolo	D6/469
D. 252,899	9/1979	Campbell	D6/469
D. 260,341	8/1981	Harrison	D6/487 X
D. 284,415	6/1986	Cahoon	D6/487 X
3,339,745	9/1967	Sugarman	.	
4,264,013	4/1981	Vollmer	.	
4,390,099	6/1983	Trautlein et al.	.	
4,671,415	6/1987	Manhart	D6/467 X

FOREIGN PATENT DOCUMENTS

2069331 8/1981 United Kingdom .

Primary Examiner—Carmen H. Vales-Lado
Attorney, Agent, or Firm—Duane C. Bowen

[57] CLAIM

The ornamental design for an earring display stand, as shown and described.

DESCRIPTION

FIG. 1 is a front elevational view of an earring display stand showing my new design;
FIG. 2 is a top plan view thereof;
FIG. 3 is a right side elevational view thereof;
FIG. 4 is a bottom plan view thereof;
FIG. 5 is a rear elevational view thereof;
FIG. 6 is an enlarged fragmentary portion of the circular perforated plate of FIG. 1;
FIG. 7 is a front elevational view of a modified embodiment of the earring display stand shown in FIG. 1;
FIG. 8 is a top plan view thereof;
FIG. 9 is a right side elevational view thereof;
FIG. 10 is a bottom plan view thereof;
FIG. 11 is a rear elevational view thereof; and
FIG. 12 is an enlarged fragmentary portion of the circular perforated plate of FIG. 7.

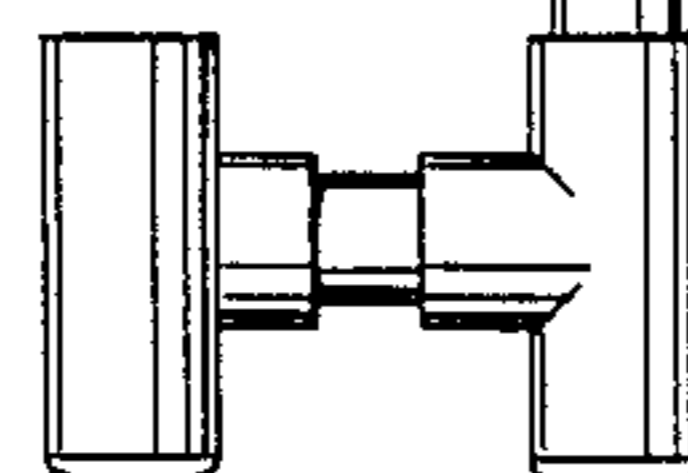
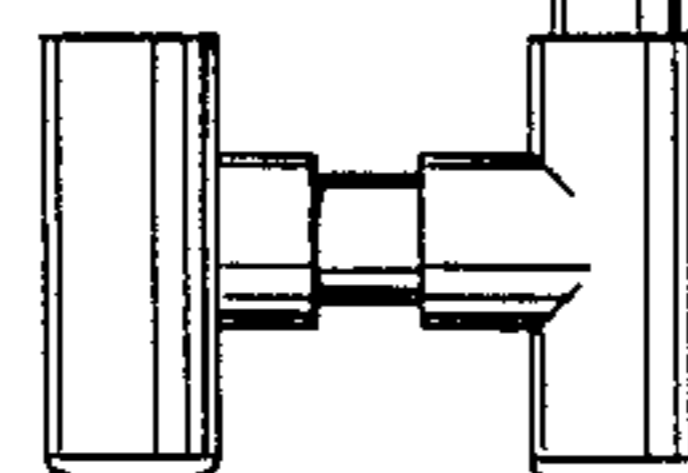
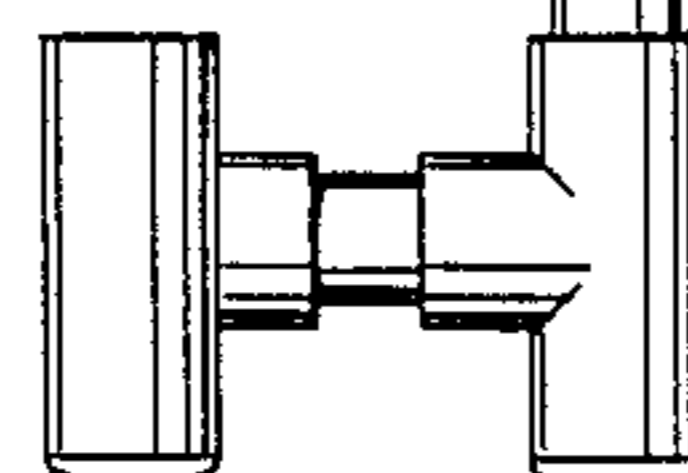
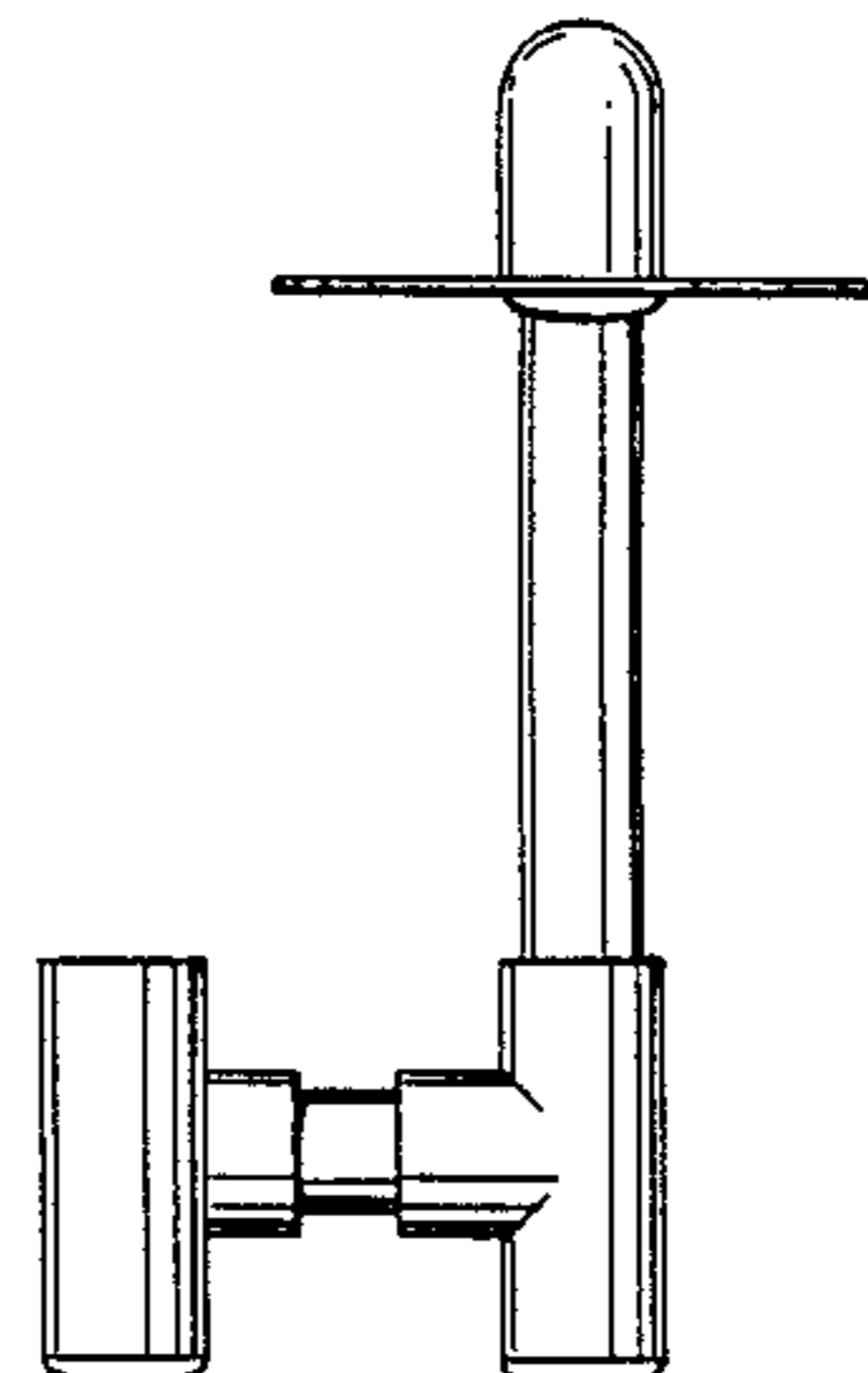
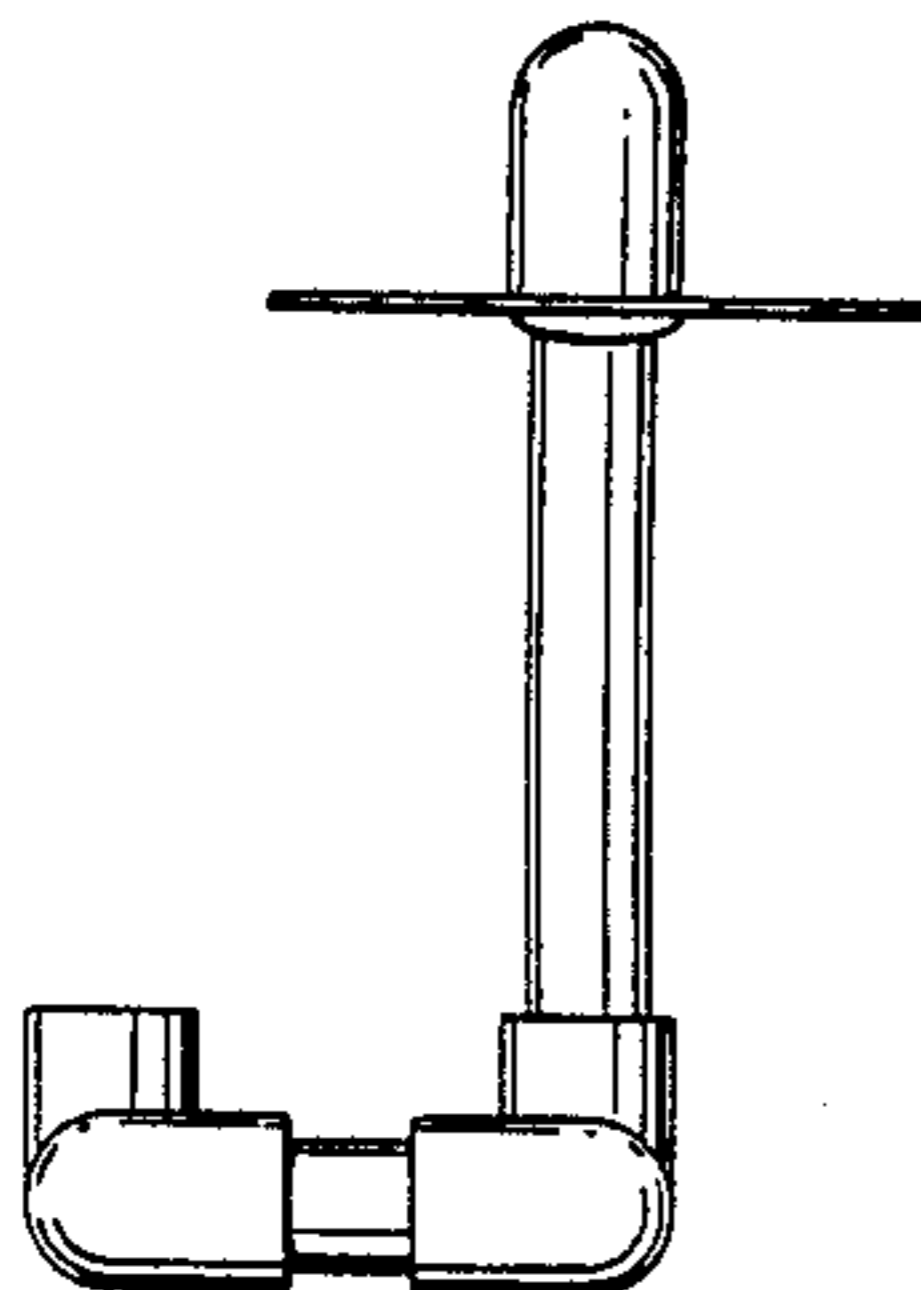
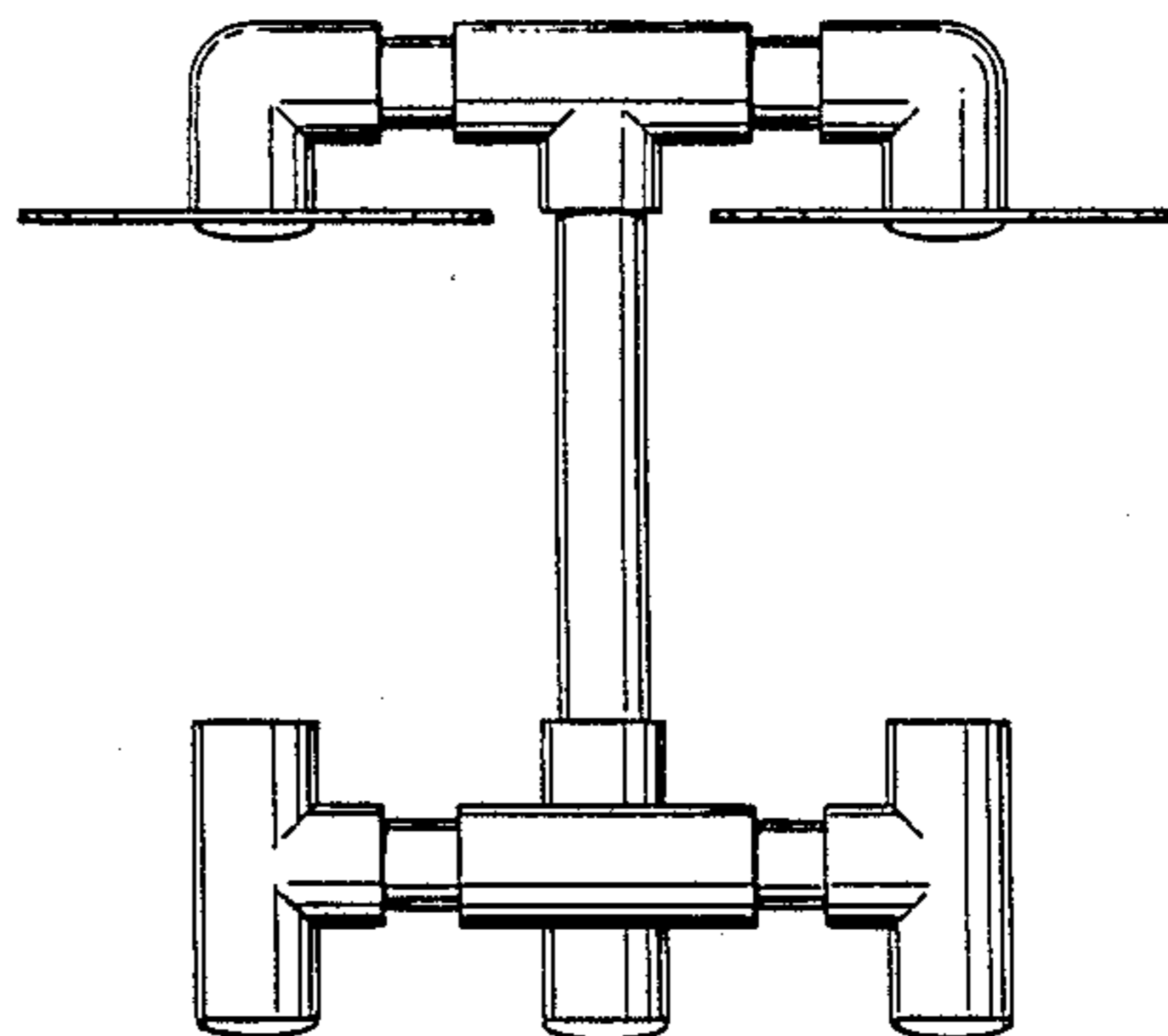
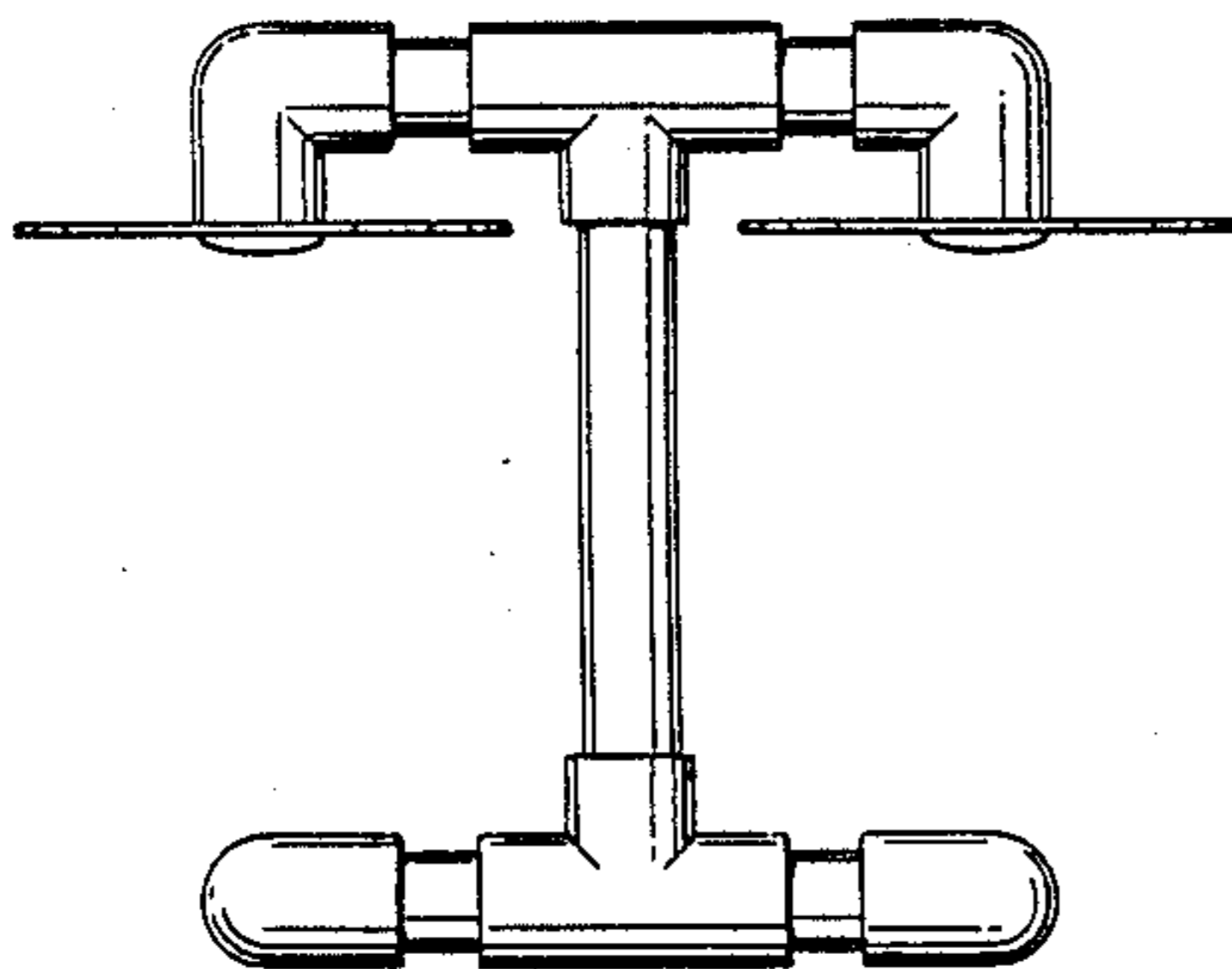
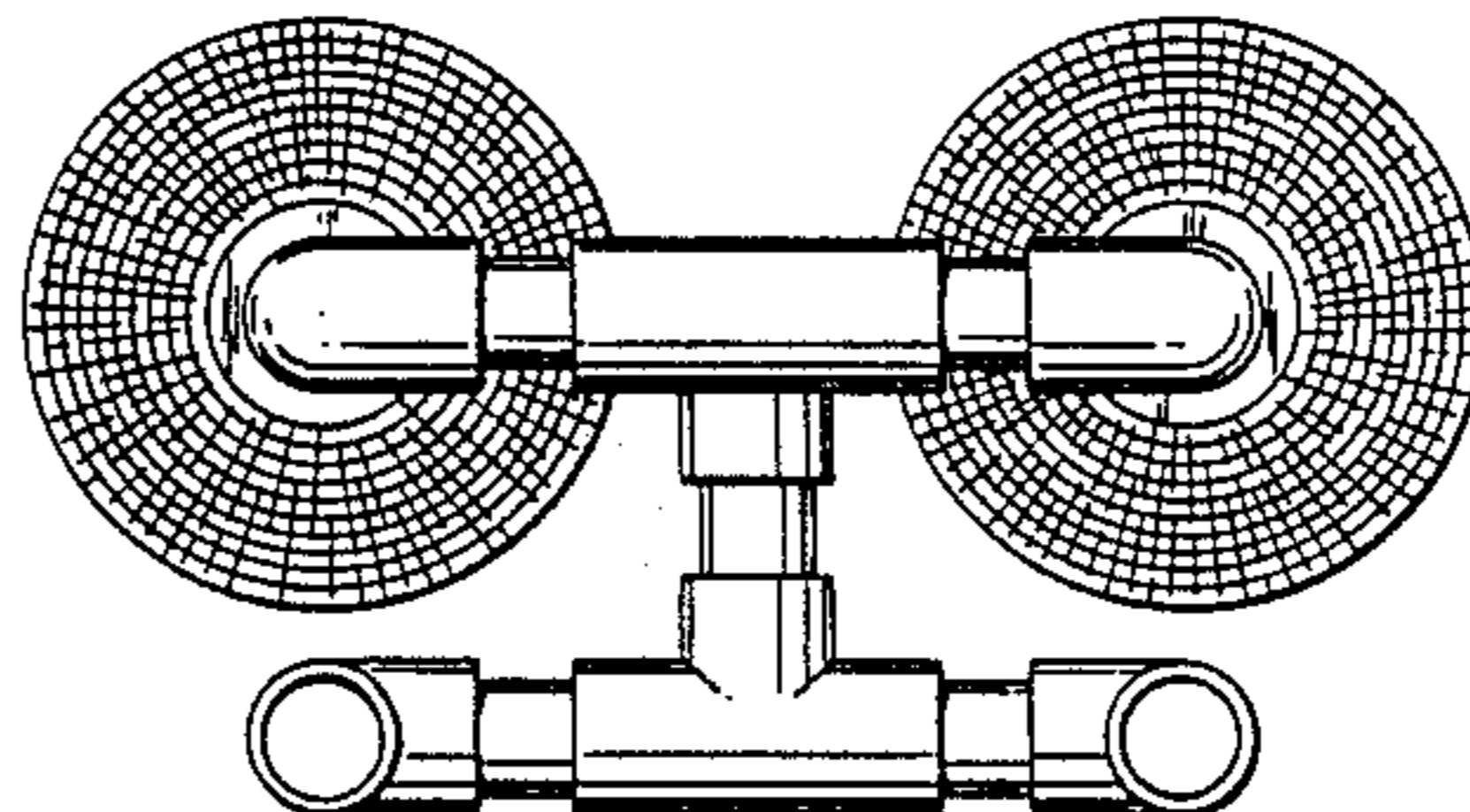
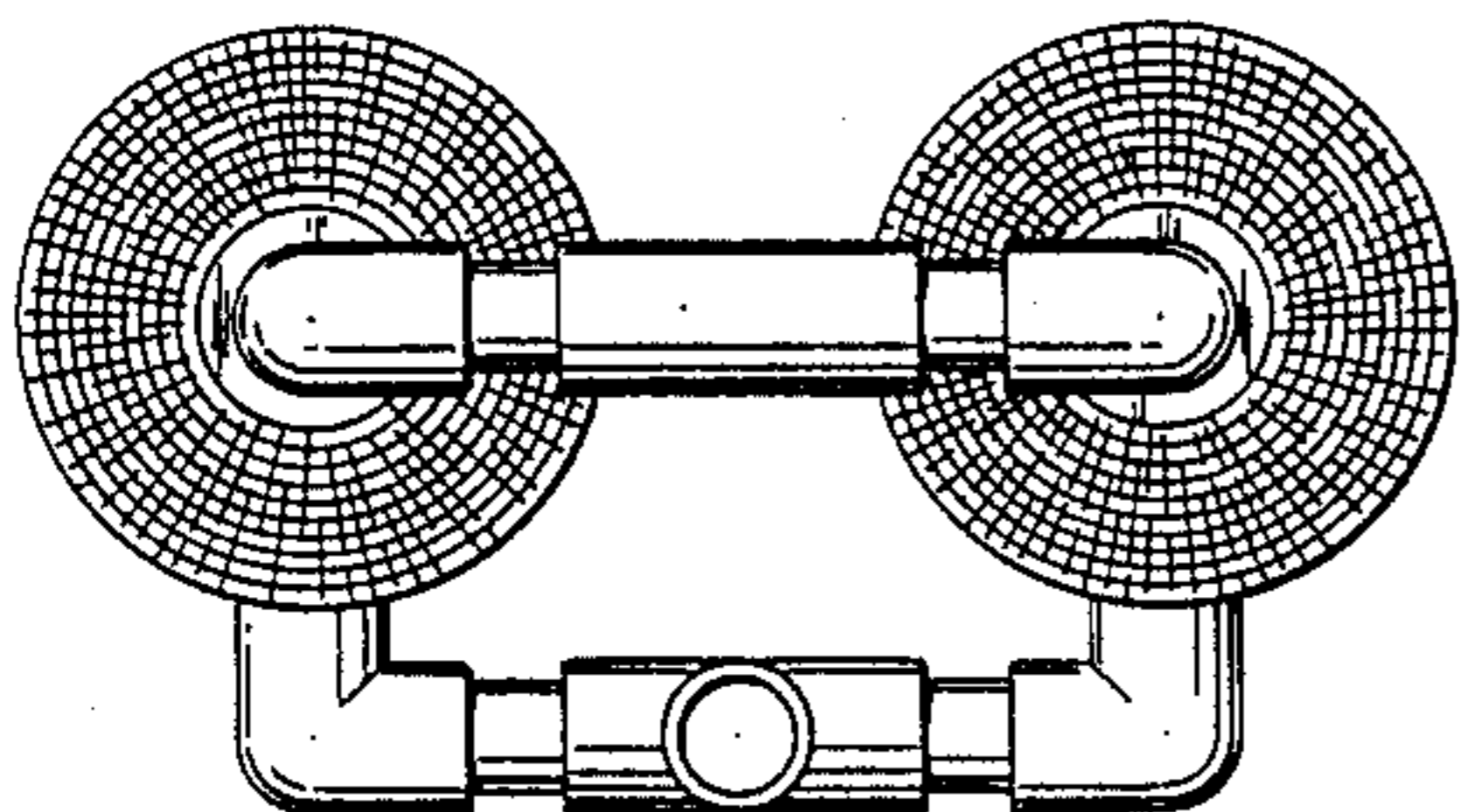


Fig. 2

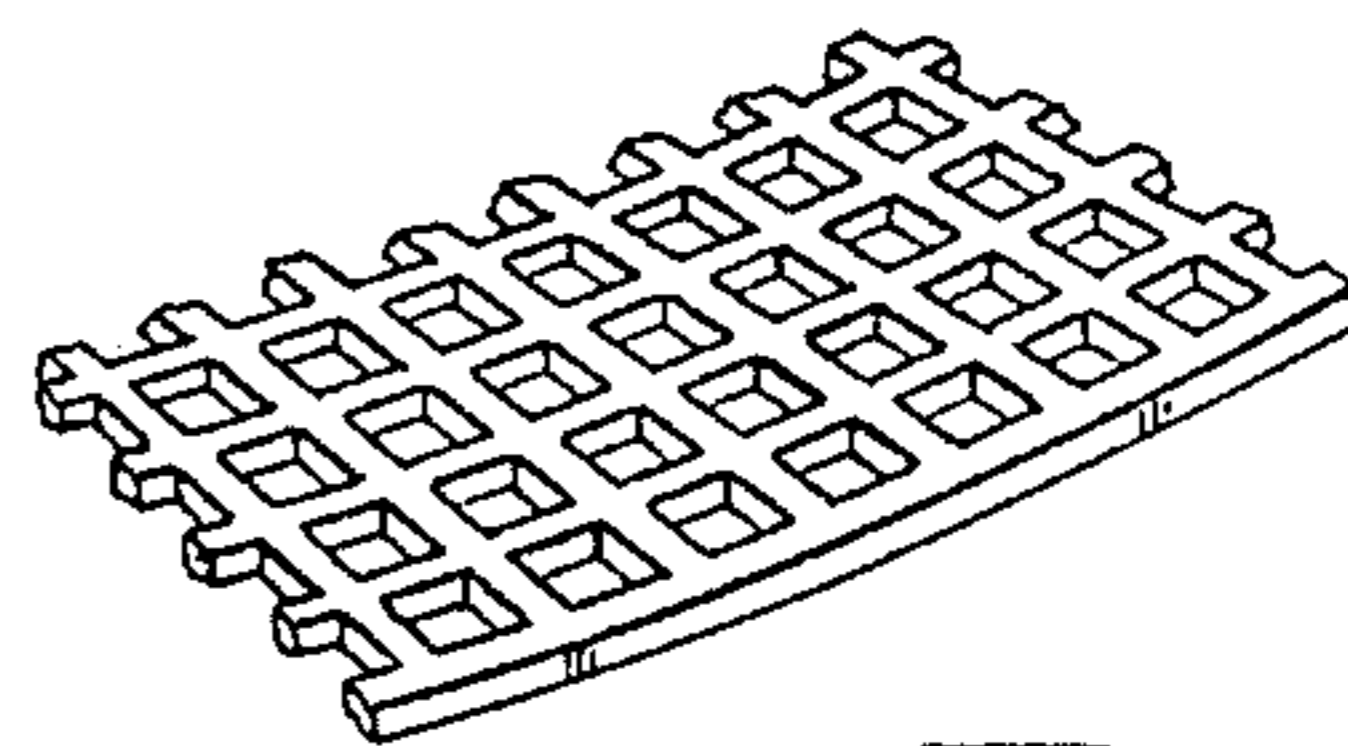
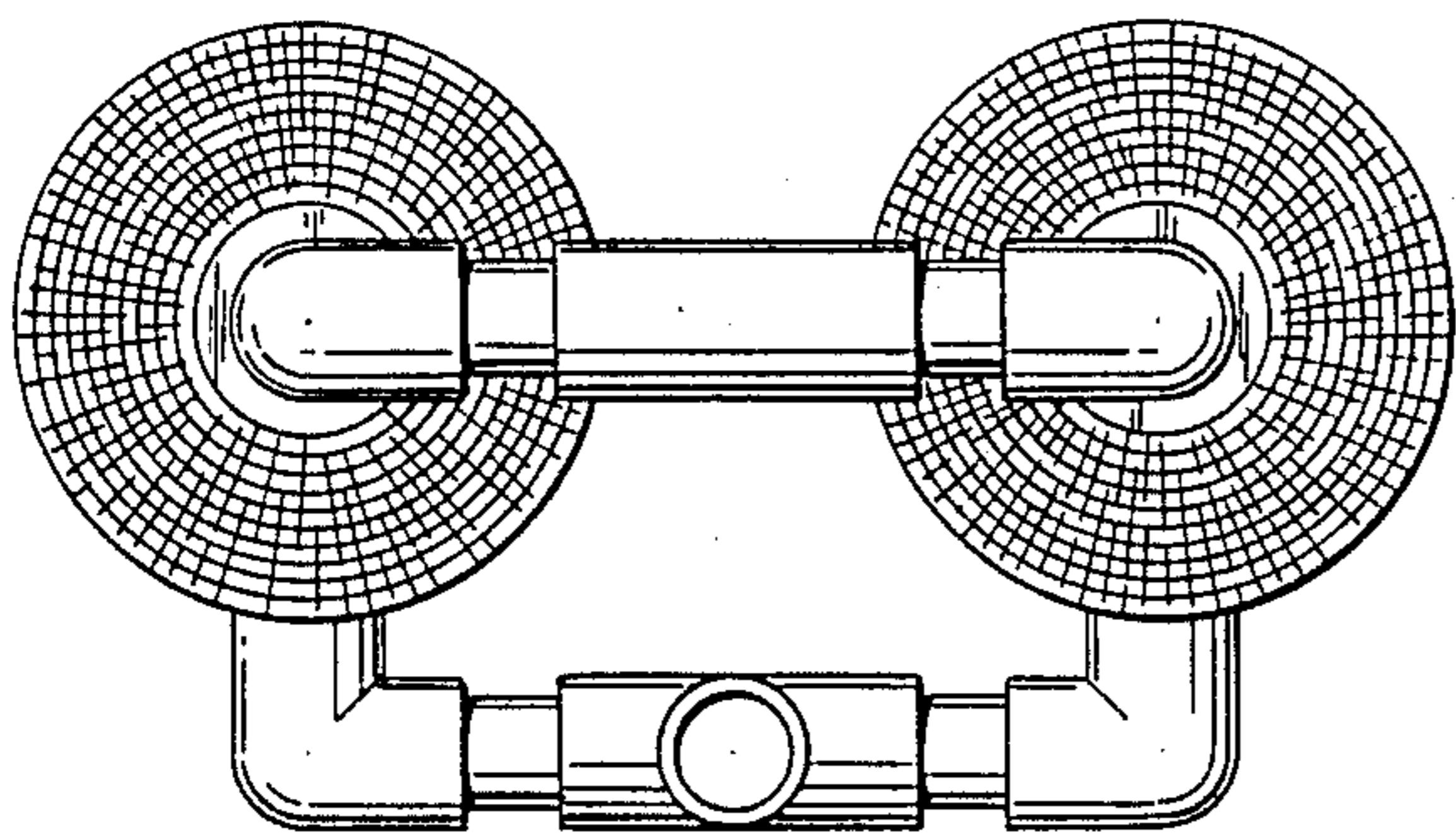


Fig. 6

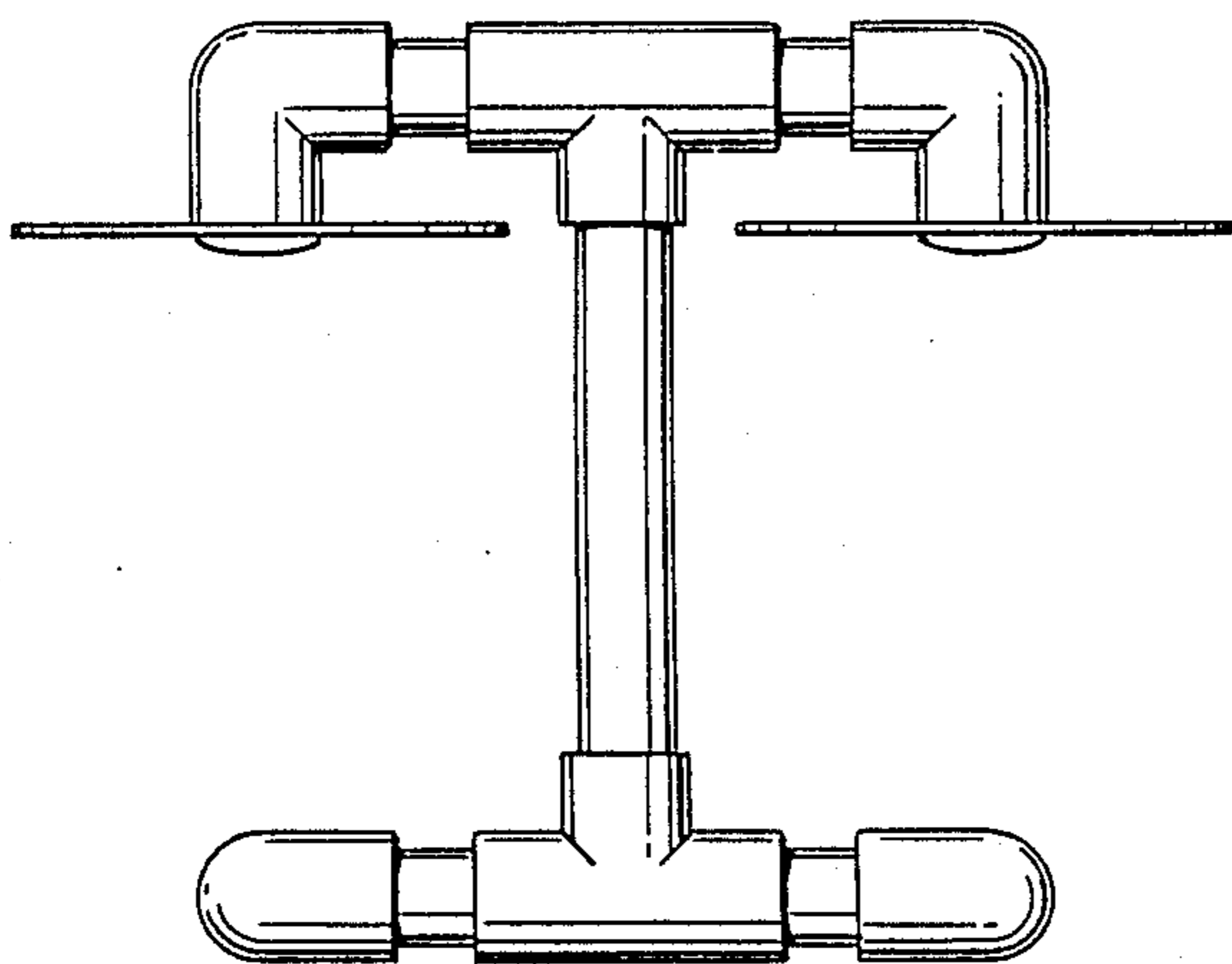


Fig. 1

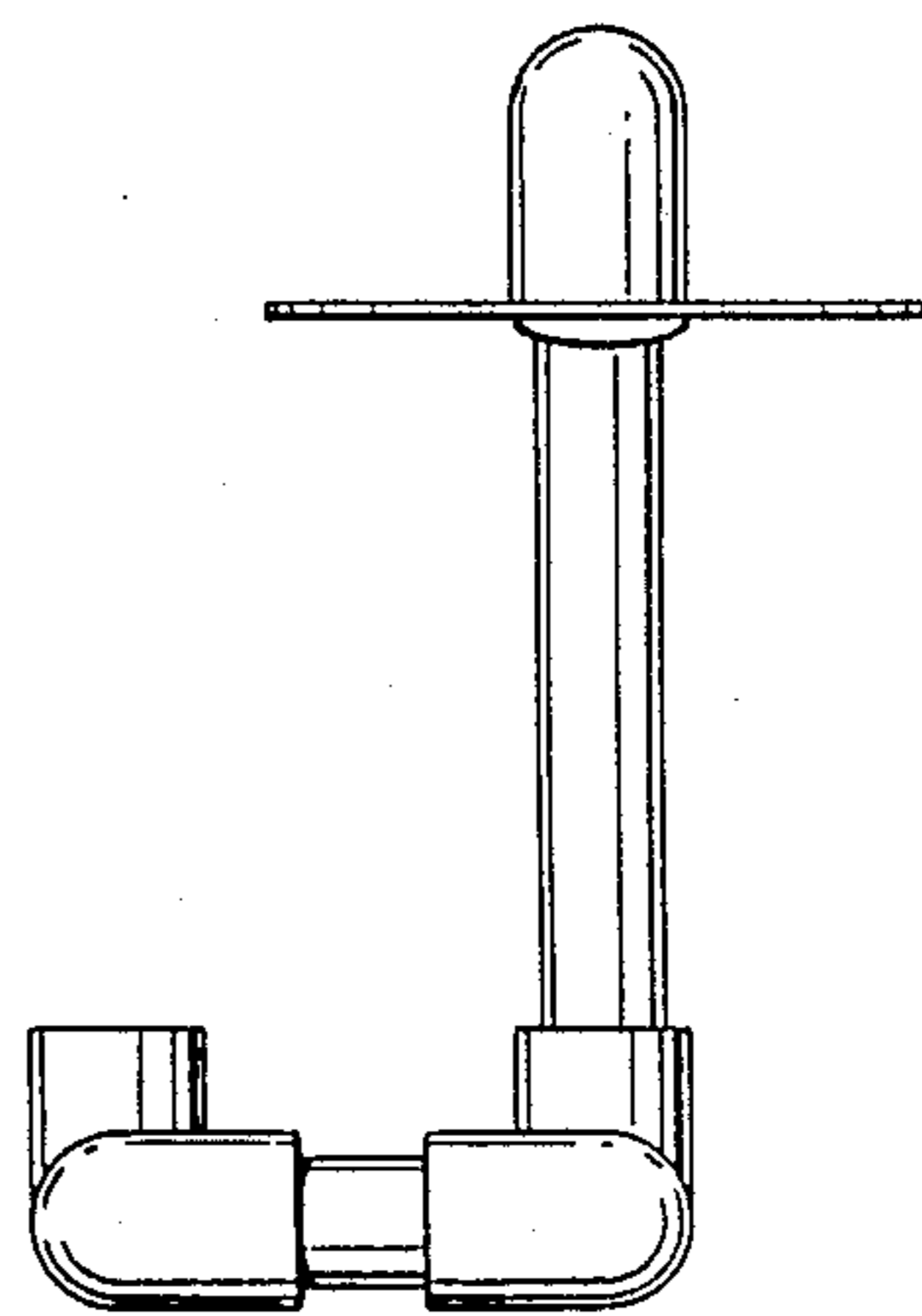


Fig. 3

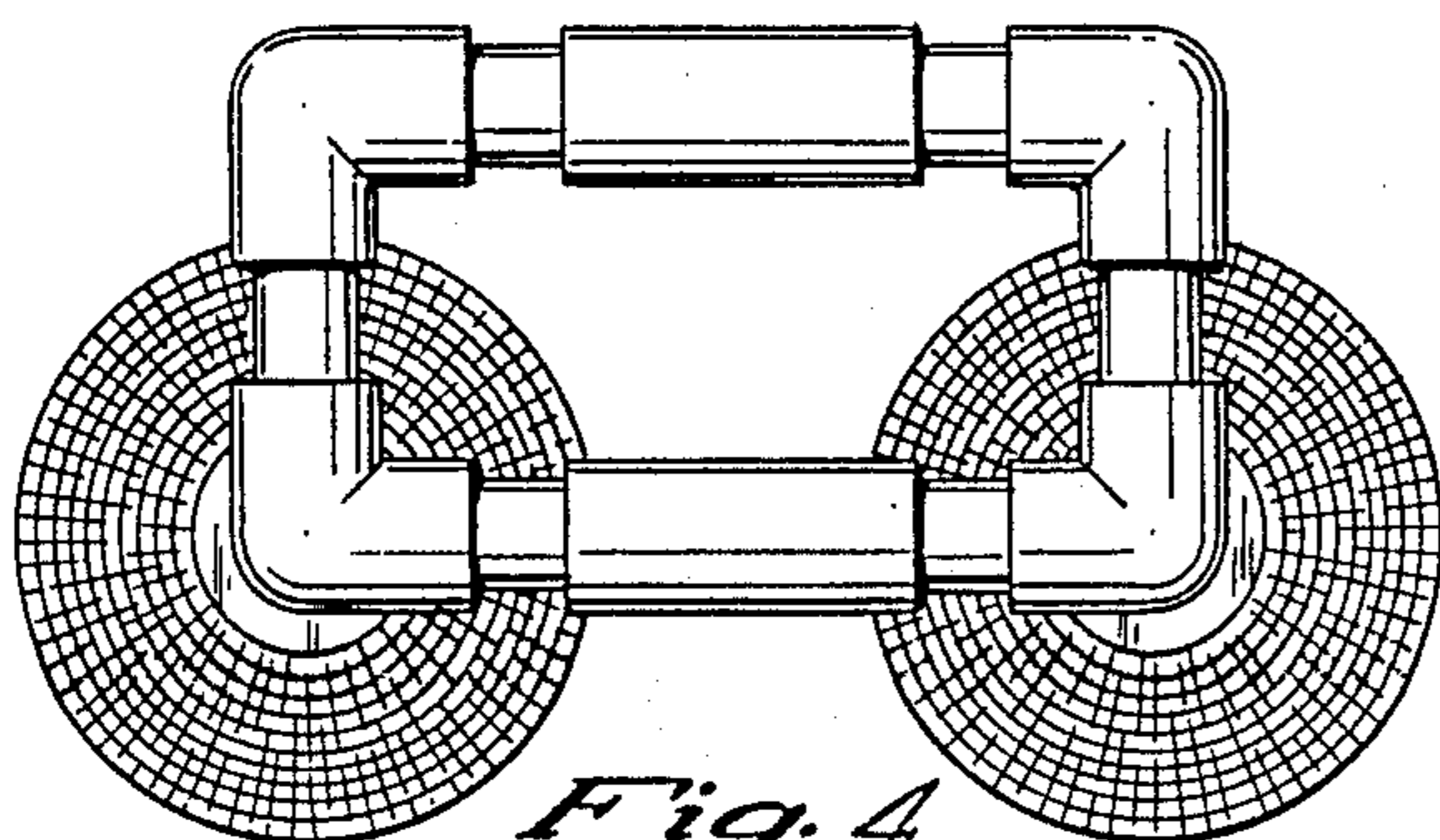


Fig. 4

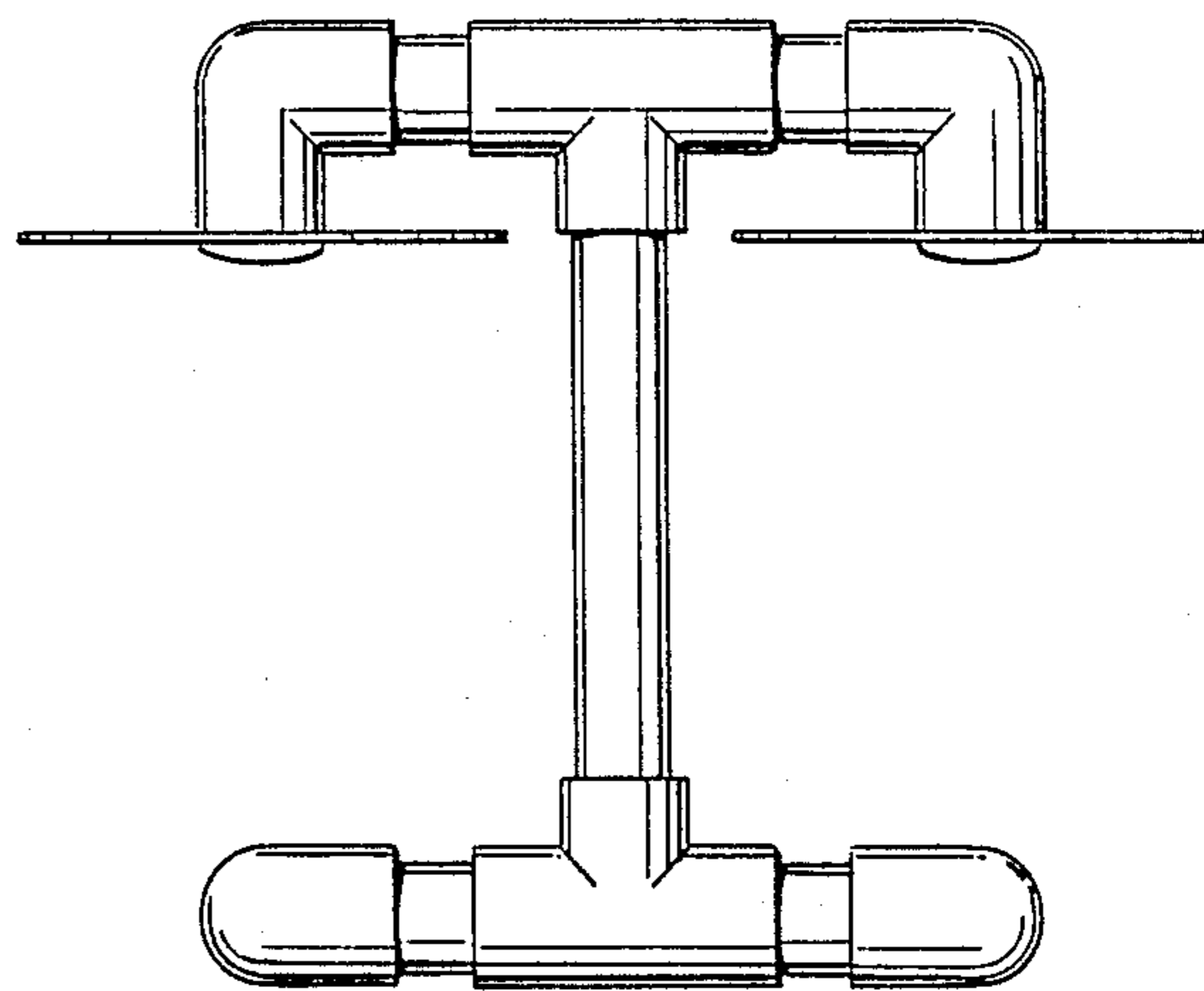


Fig. 5

Fig. 8

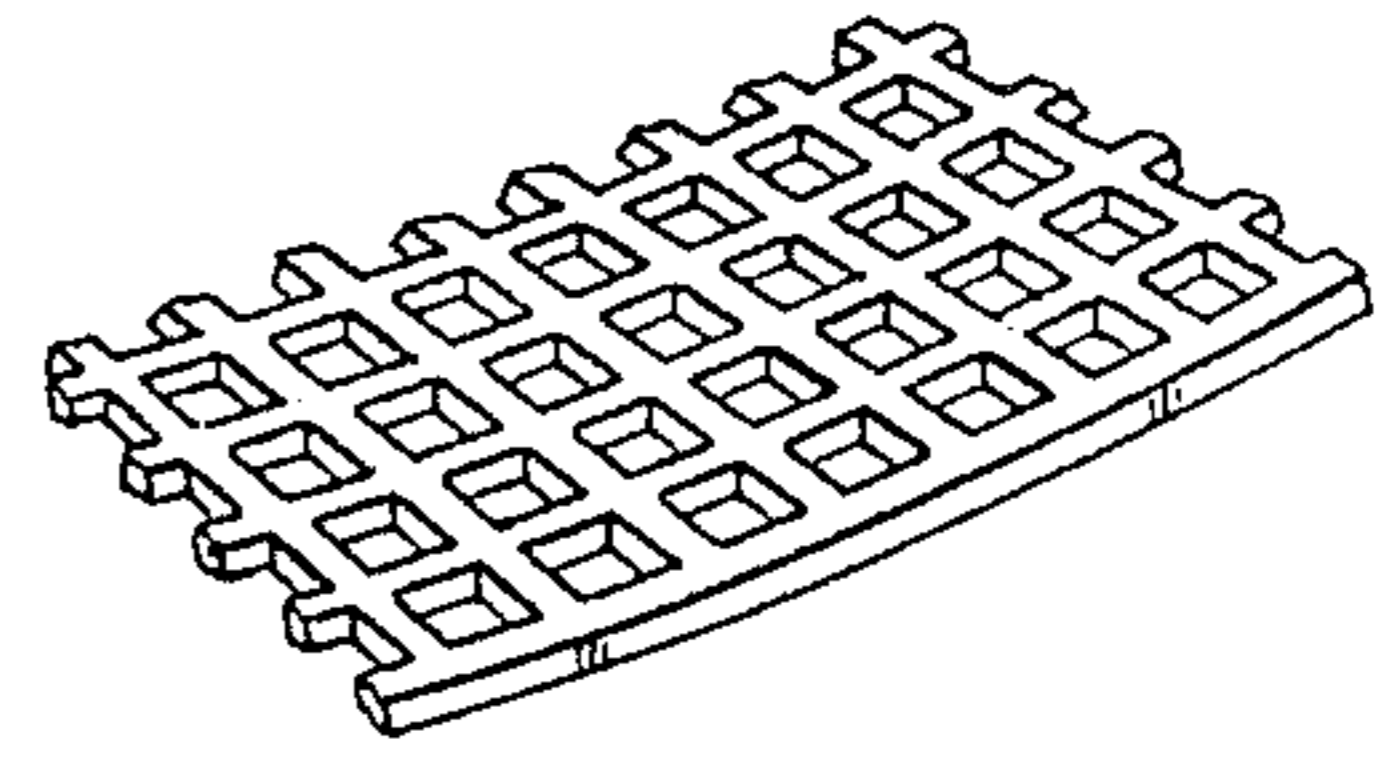
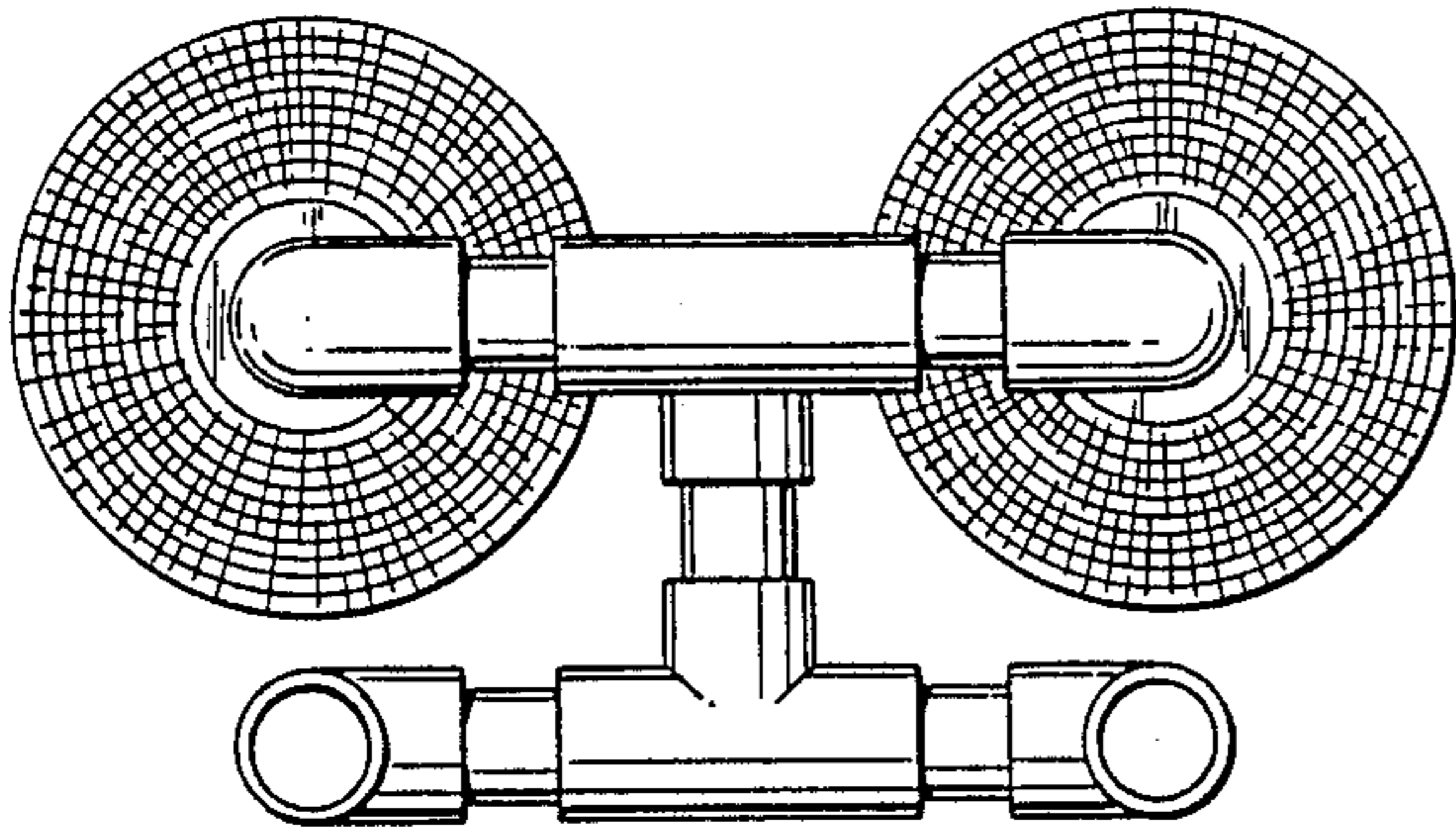


Fig. 12

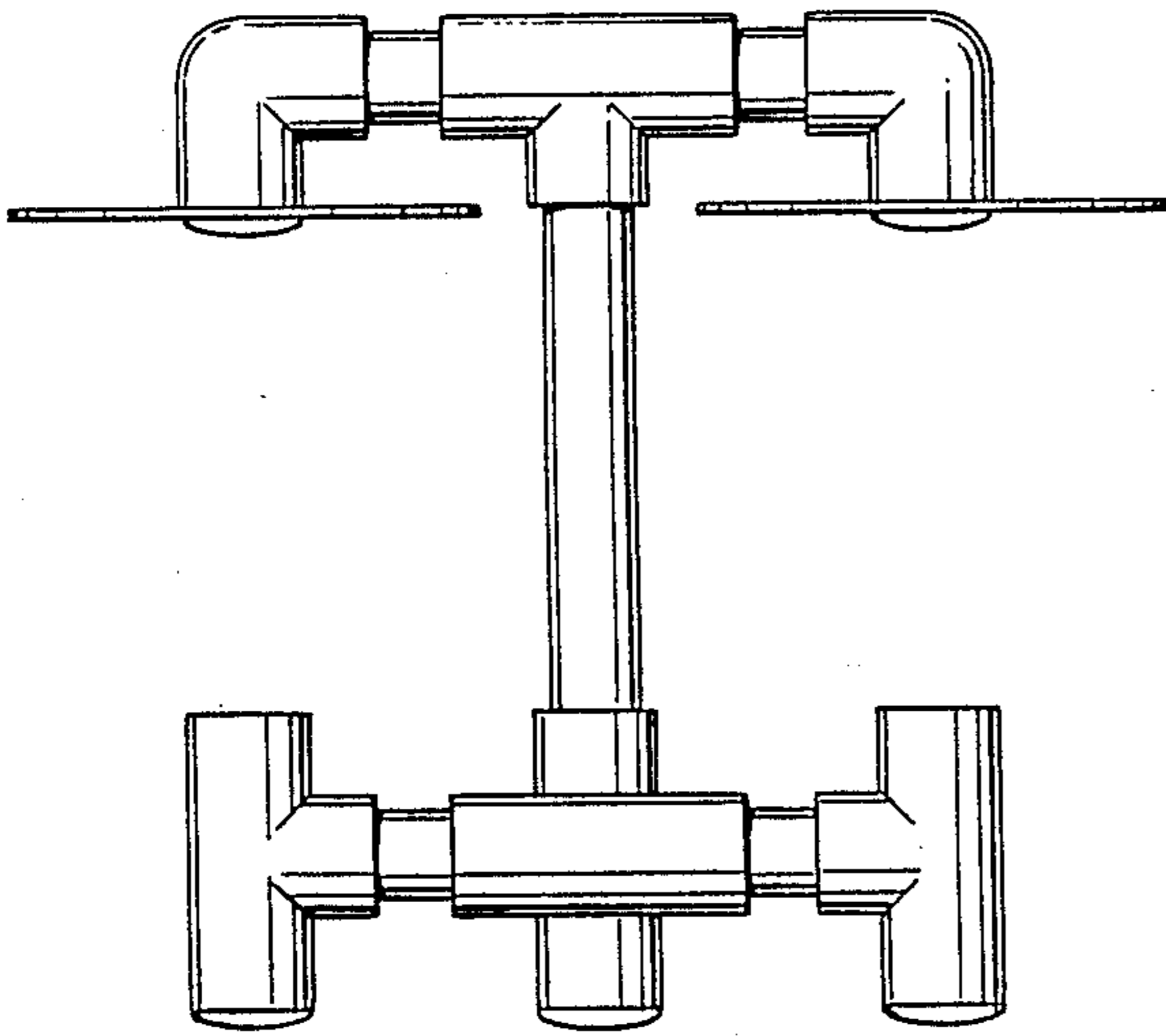


Fig. 7

Fig. 9

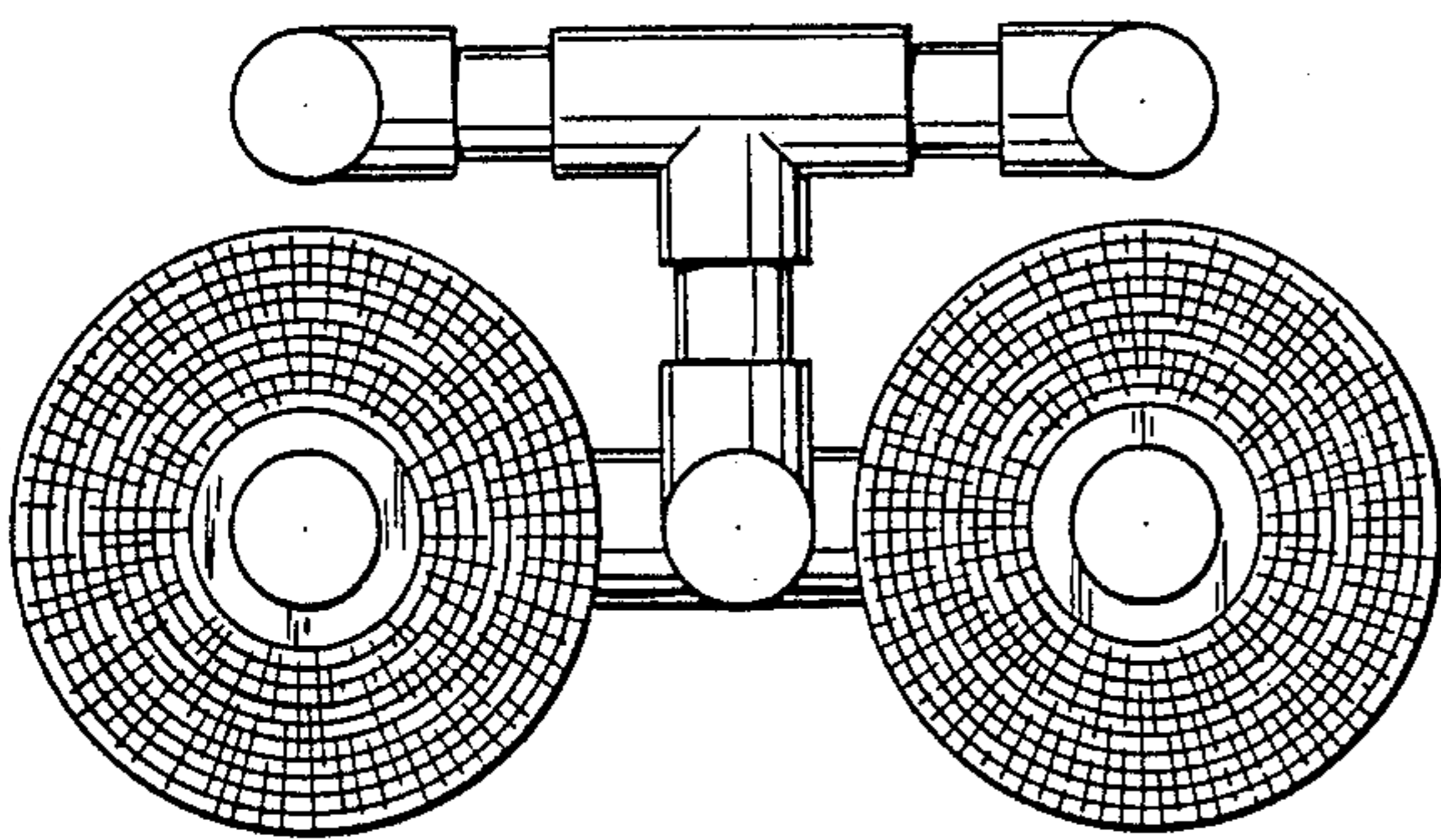
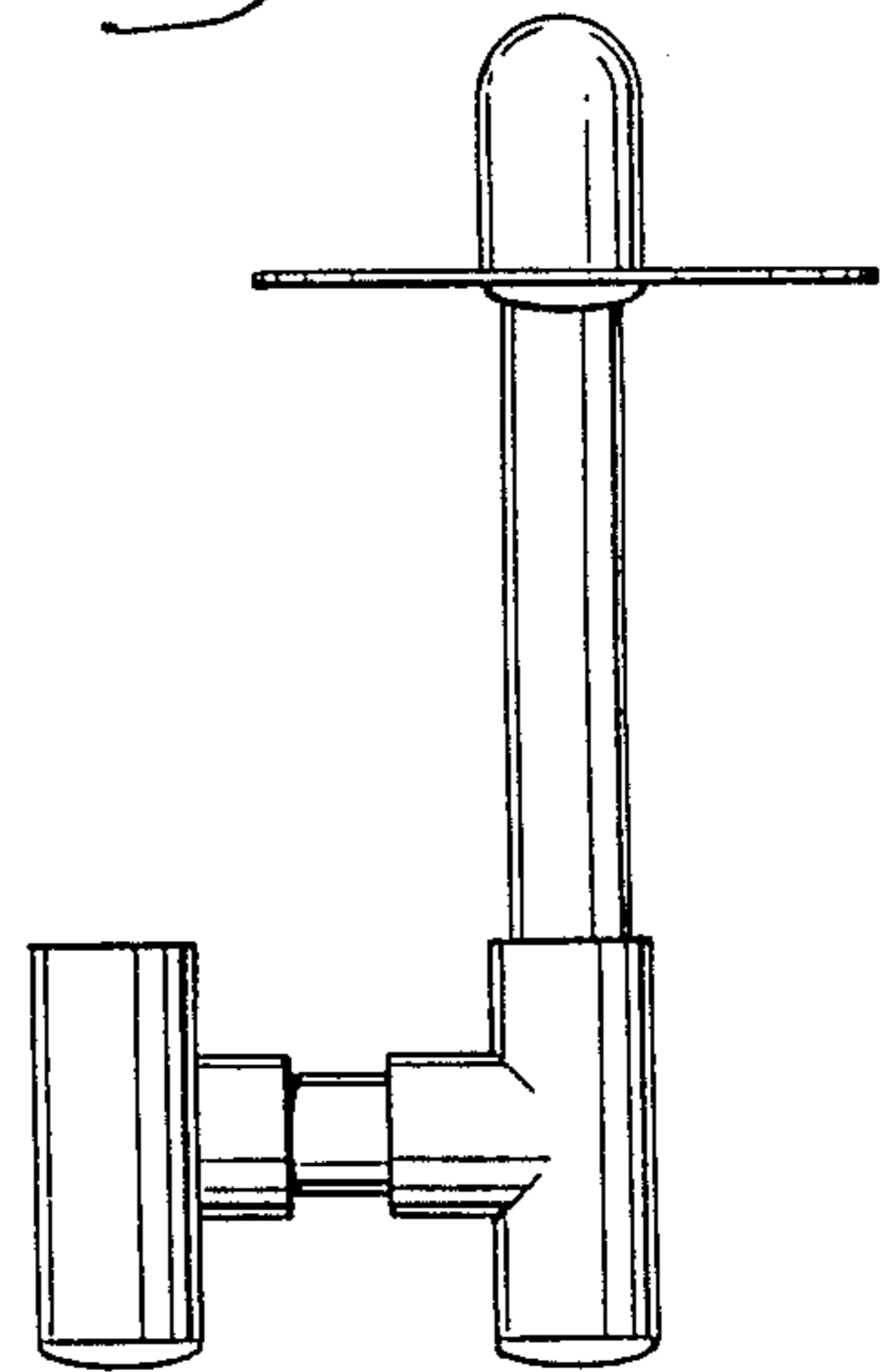


Fig. 10

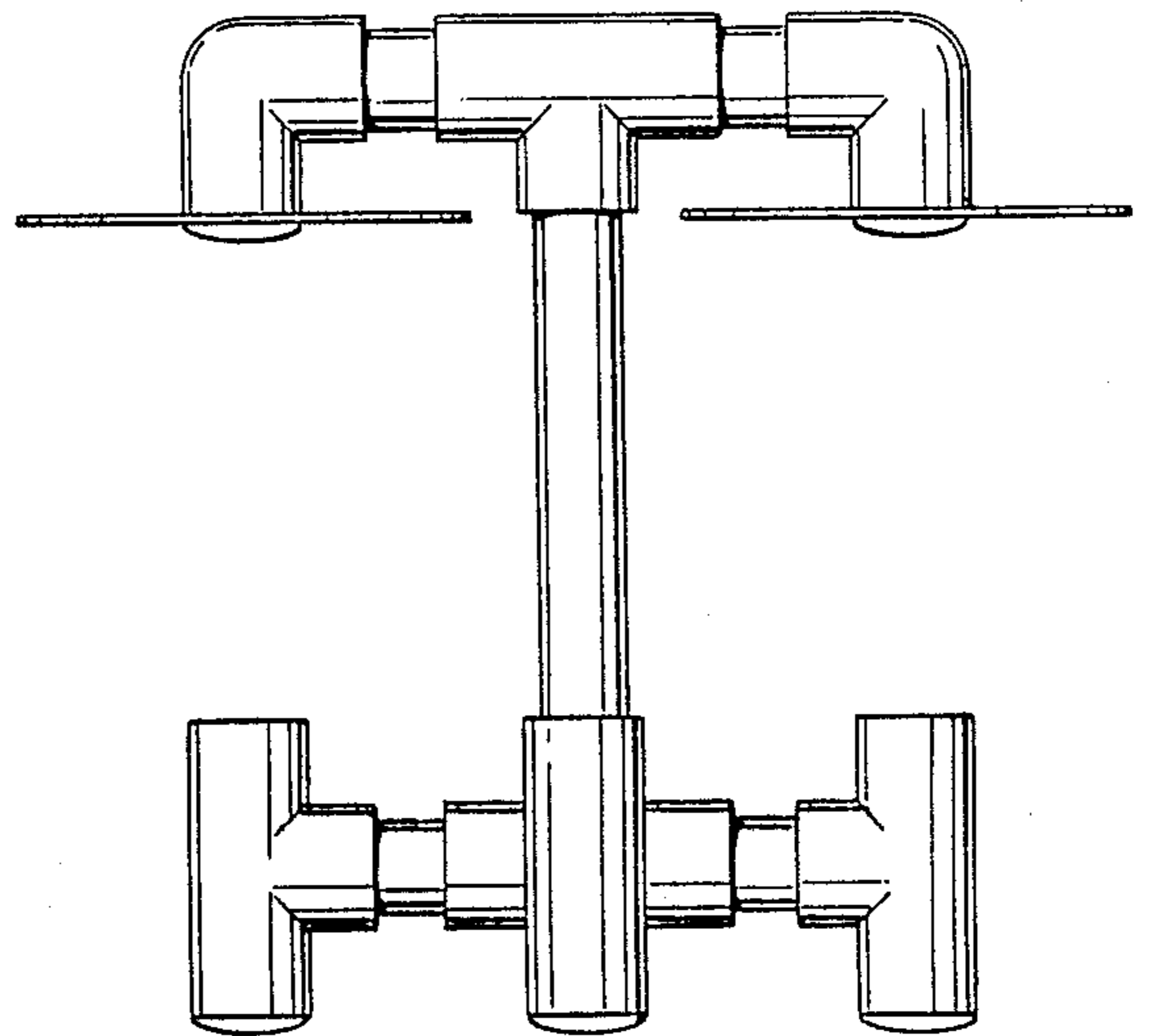


Fig. 11