

- [54] SEAT FOR AN INFANT
- [75] Inventor: Merry S. Riehm, Buffalo, N.Y.
- [73] Assignee: The Quaker Oats Company, Chicago, Ill.
- [**] Term: 14 Years
- [21] Appl. No.: 929,217
- [22] Filed: Nov. 7, 1986
- [52] U.S. Cl. D6/333
- [58] Field of Search D6/333; 297/274, 275

3,019,053 1/1962 Lambert 297/275
 3,401,978 9/1968 Wigglesworth 297/274

Primary Examiner—Bruce W. Dunkins
 Assistant Examiner—Ann S. Hunt
 Attorney, Agent, or Firm—Cumpston & Shaw

[57] CLAIM

The ornamental design for a seat for an infant, as shown and described.

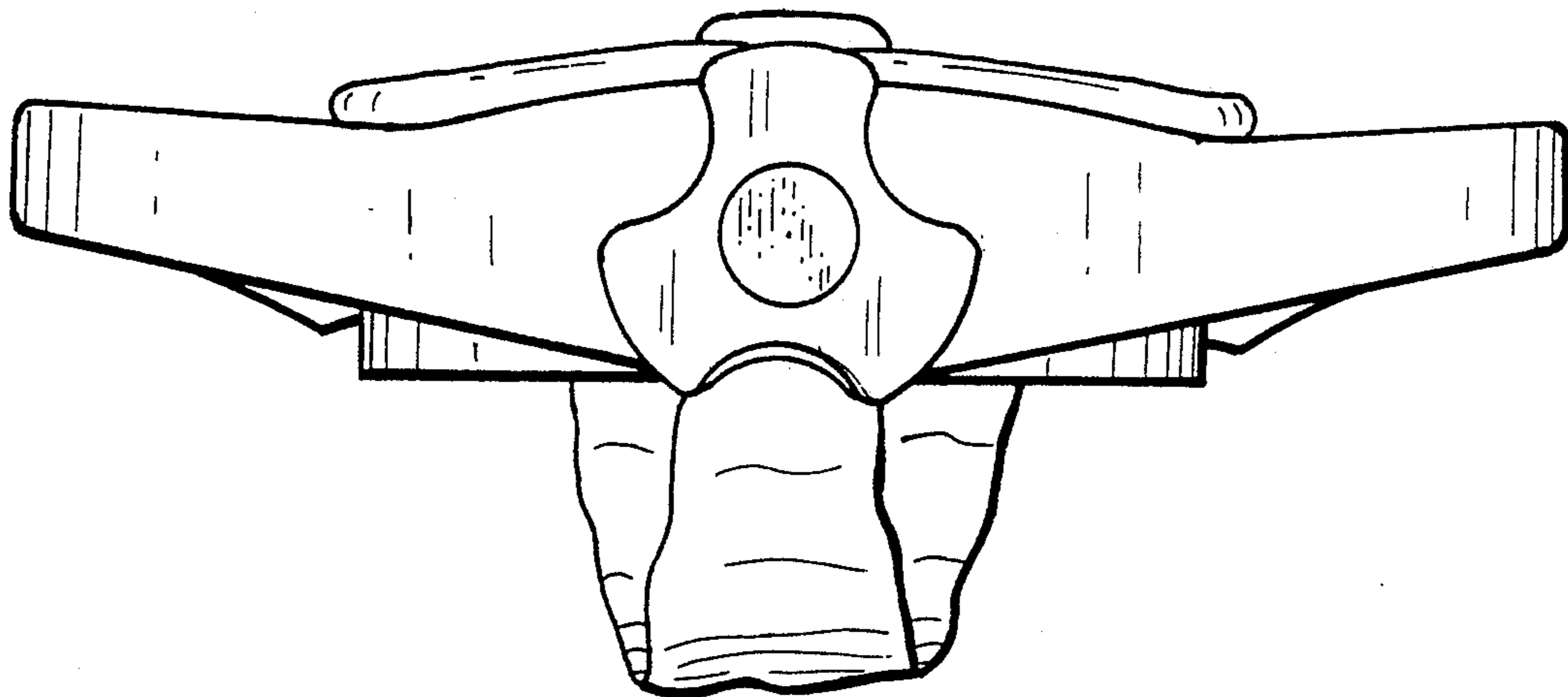
DESCRIPTION

FIG. 1 is a front elevational view of a seat for an infant showing my new design;
 FIG. 2 is a top plan view thereof;
 FIG. 3 is a left-side elevational view thereof; the right side being a mirror image thereof;
 FIG. 4 is a rear elevational view thereof; and
 FIG. 5 is a bottom plan view thereof.

[56] References Cited

U.S. PATENT DOCUMENTS

- D. 229,590 12/1973 Ahrens D6/333
- D. 285,623 9/1986 Forrest D6/333
- D. 292,653 11/1987 Church et al. D6/333



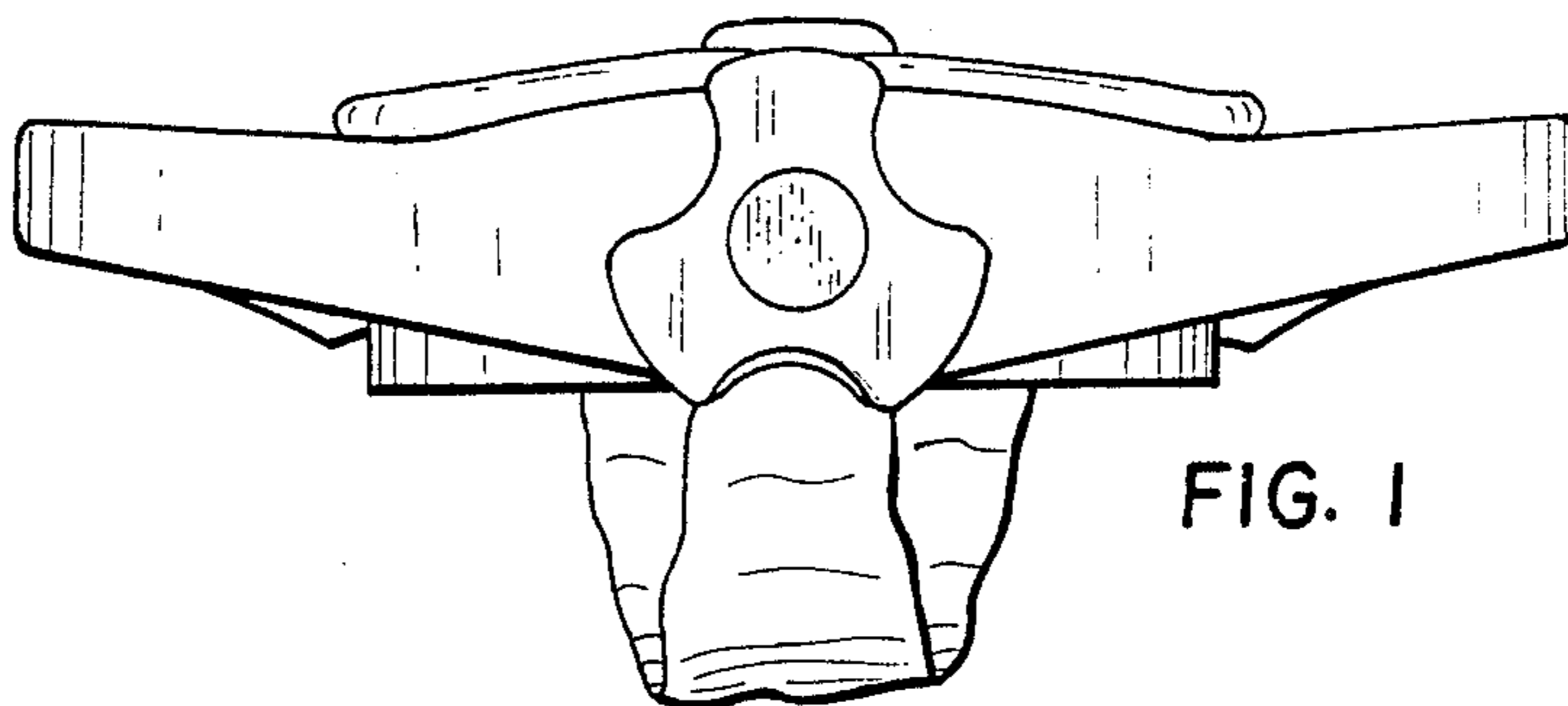


FIG. 1

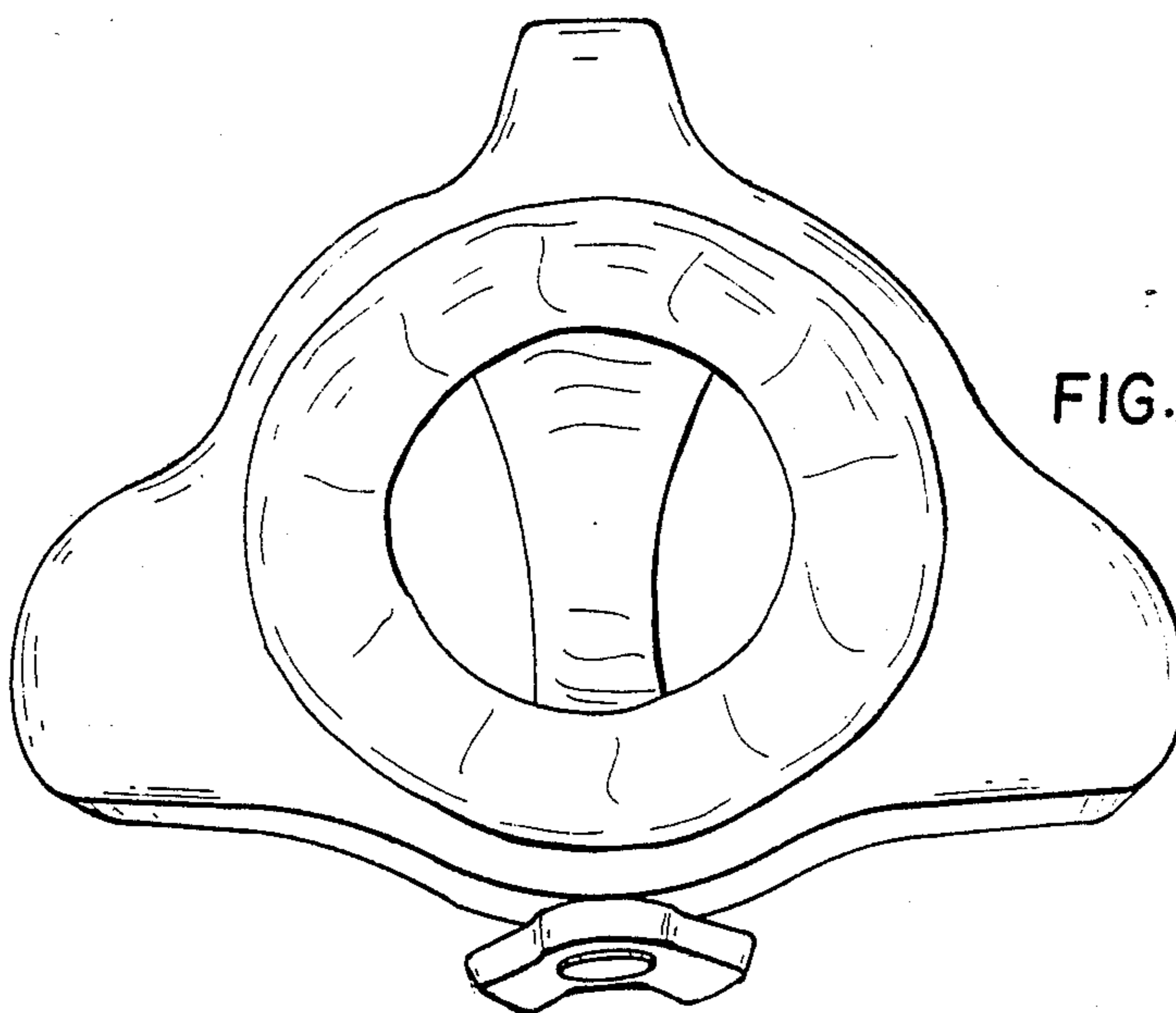


FIG. 2

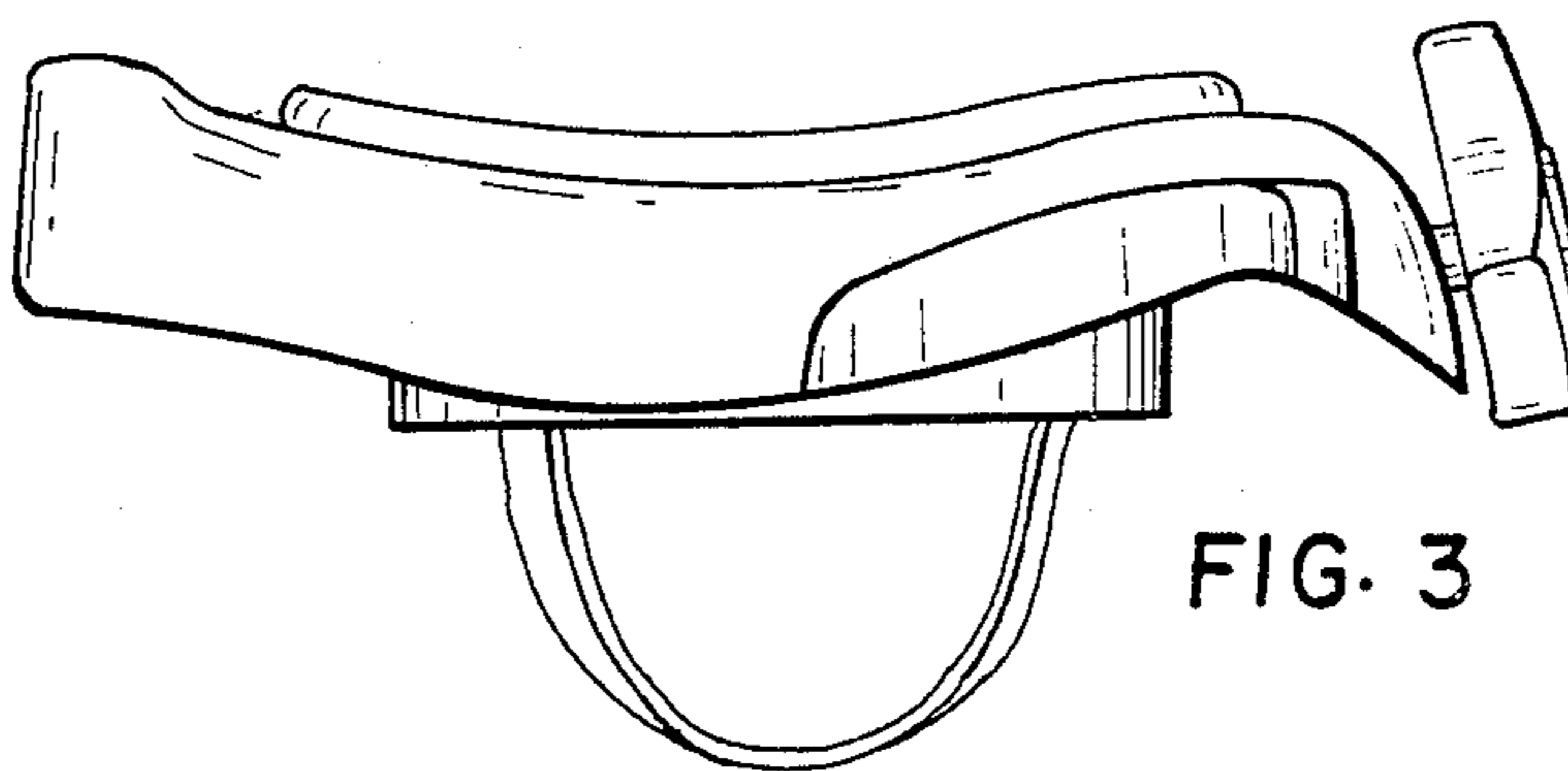


FIG. 3

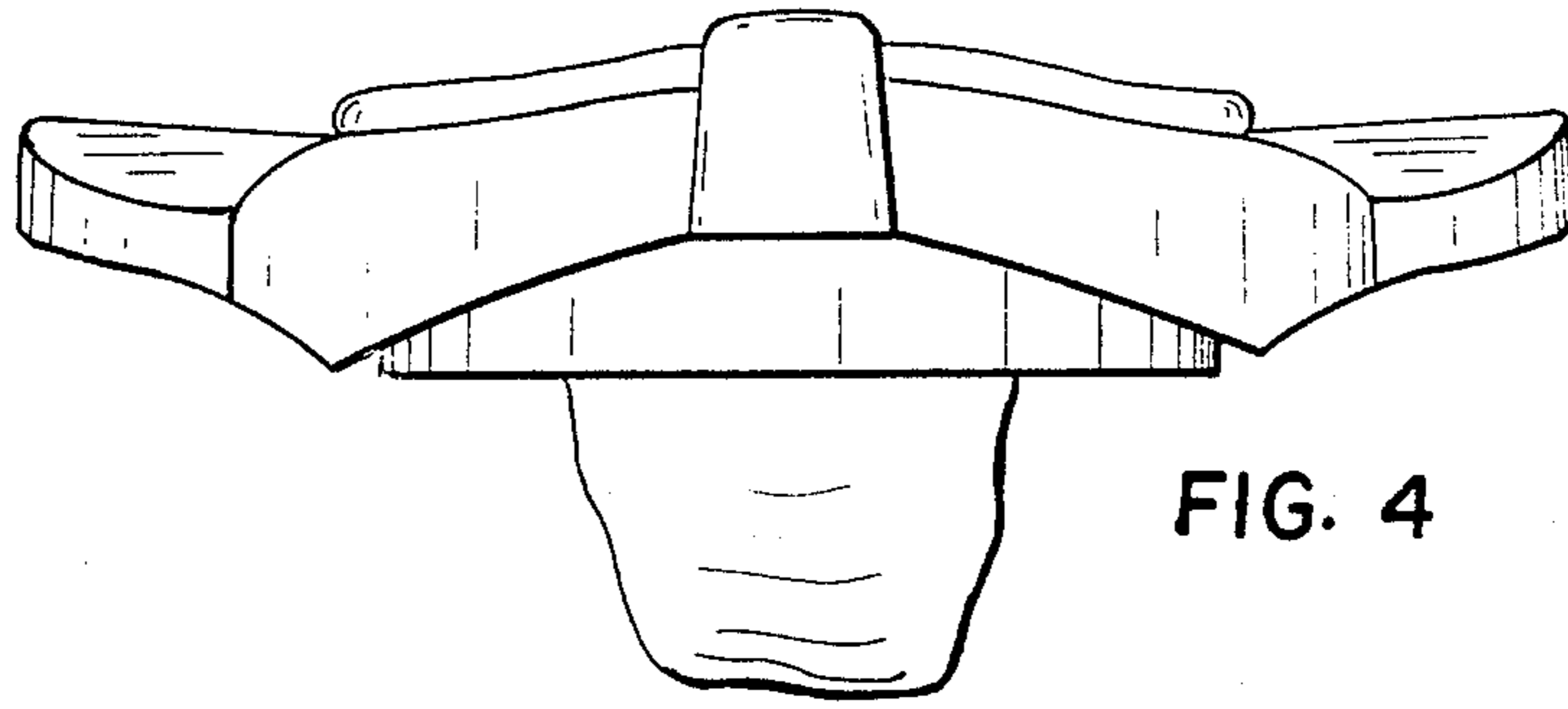


FIG. 4

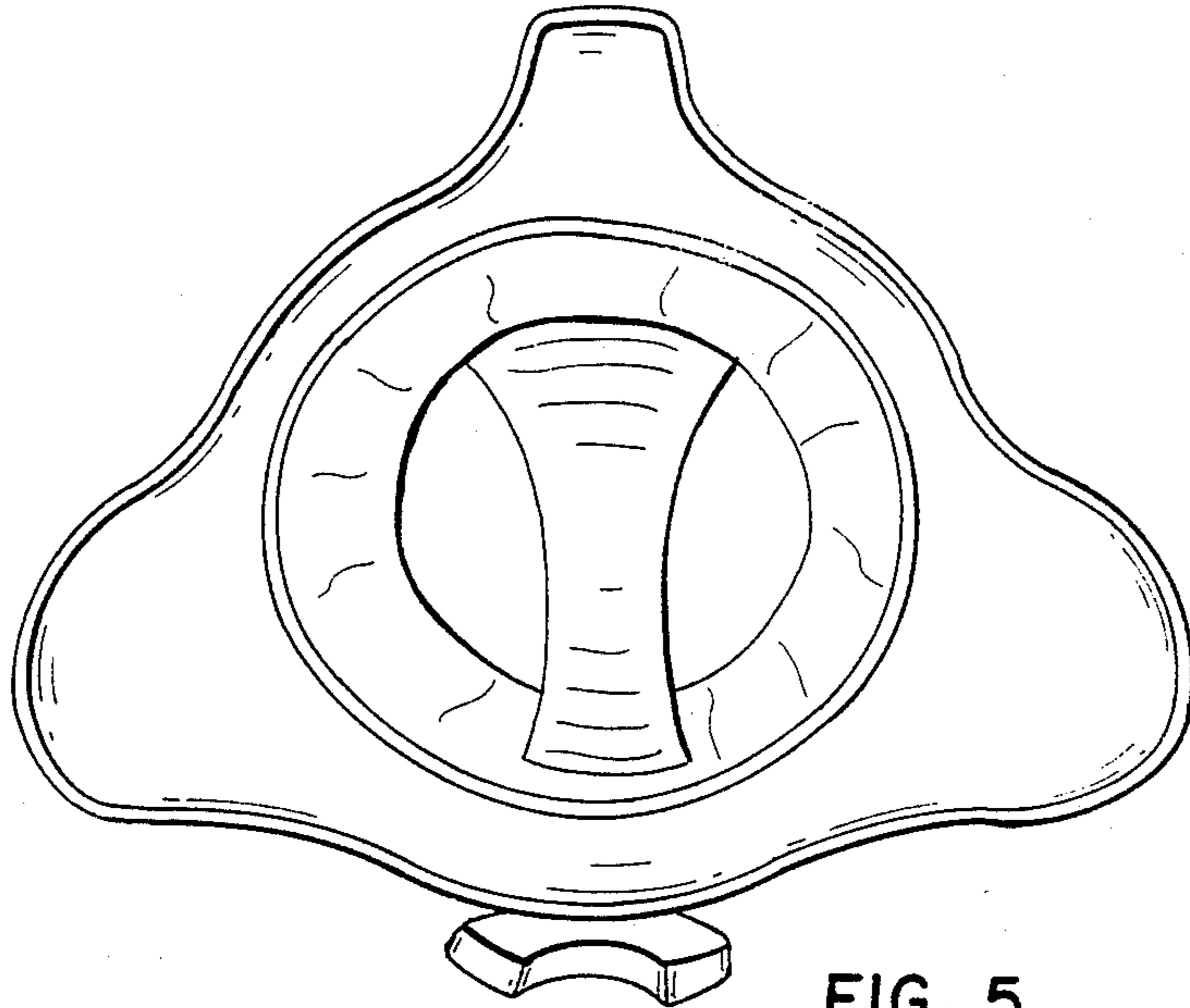


FIG. 5