

[54] HANGER UNIT

[75] Inventors: Pär-Stephan Blom; Lars-Arne Blom, both of Arbrå, Sweden

[73] Assignee: Scanflex Medical AB, Taby, Sweden

[\*\*] Term: 14 Years

[21] Appl. No.: 32,395

[22] Filed: Mar. 30, 1987

[30] Foreign Application Priority Data

Oct. 1, 1986 [SE] Sweden ..... 86-2256

[52] U.S. Cl. .... D6/324; D6/566

[58] Field of Search ..... D6/315, 320, 324, 566; 211/96, 99, 100

[56]

References Cited

U.S. PATENT DOCUMENTS

D. 162,431	3/1951	Nelson .....	D6/324
D. 282,705	2/1986	Chap .....	D6/566
2,424,369	7/1947	Rundell .....	211/96
2,431,976	12/1947	Ajax .....	211/96
2,485,201	10/1949	Jewett .....	211/96
2,580,885	1/1952	Brodkey .....	211/96
2,786,579	3/1957	Wright .....	211/96

Primary Examiner—B. J. Bullock

Attorney, Agent, or Firm—Zarley, McKee, Thomte, Voorhees & Sease

[57]

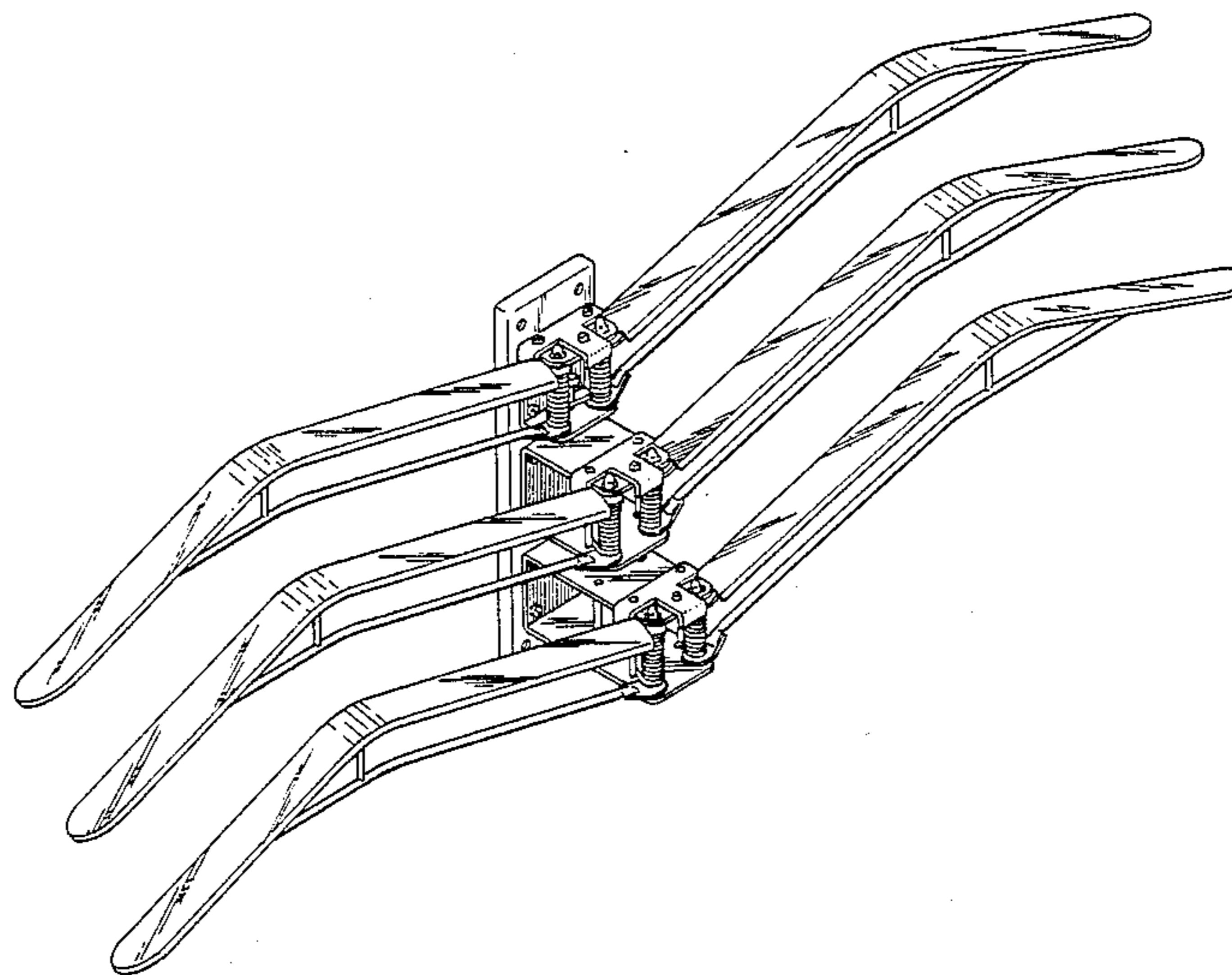
CLAIM

The ornamental design for a hanger unit, as shown.

DESCRIPTION

FIG. 1 is a front, top perspective view of a hanger unit showing our new design;

FIG. 2 is a rear, bottom perspective view thereof.



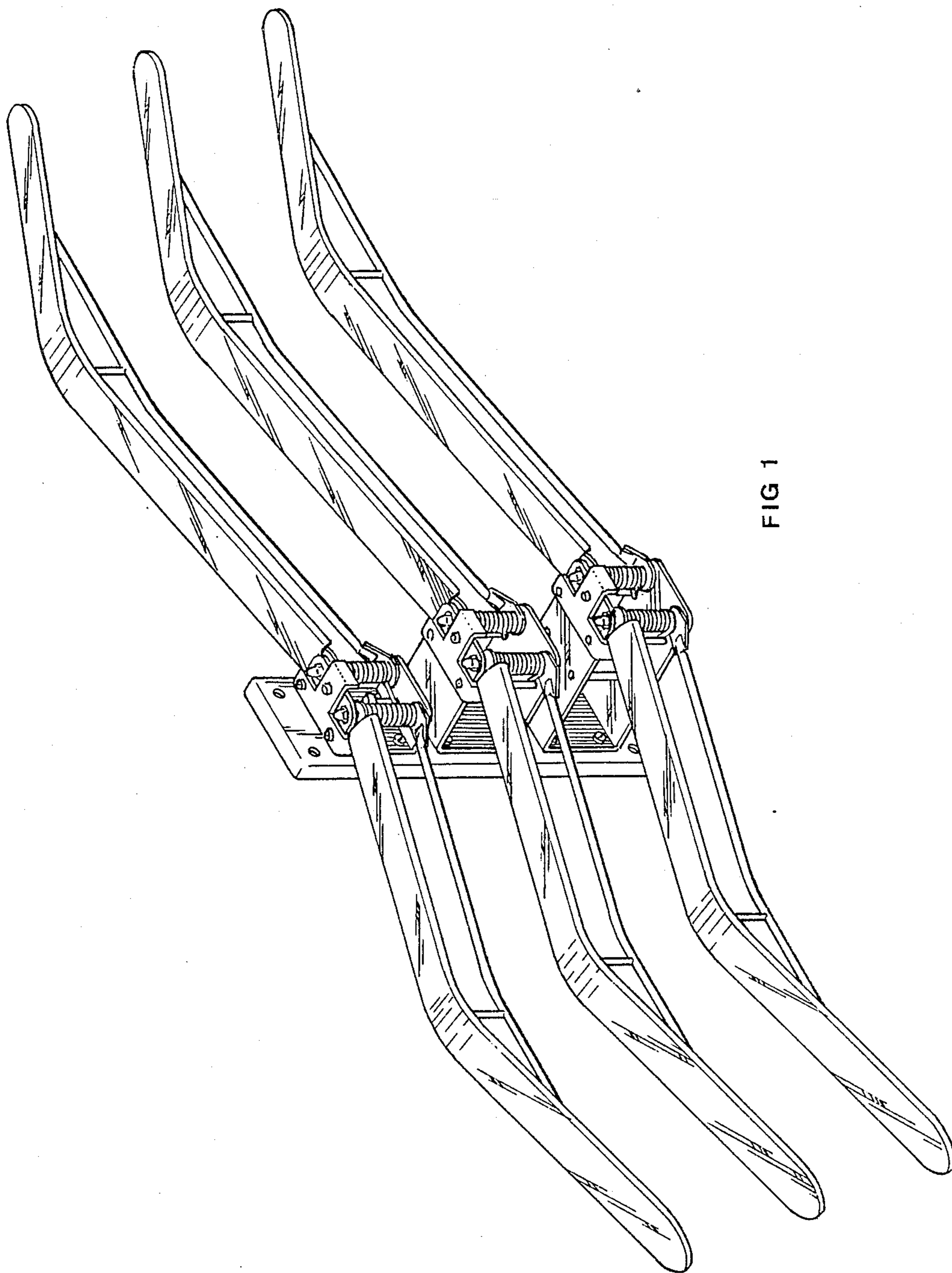


FIG 1

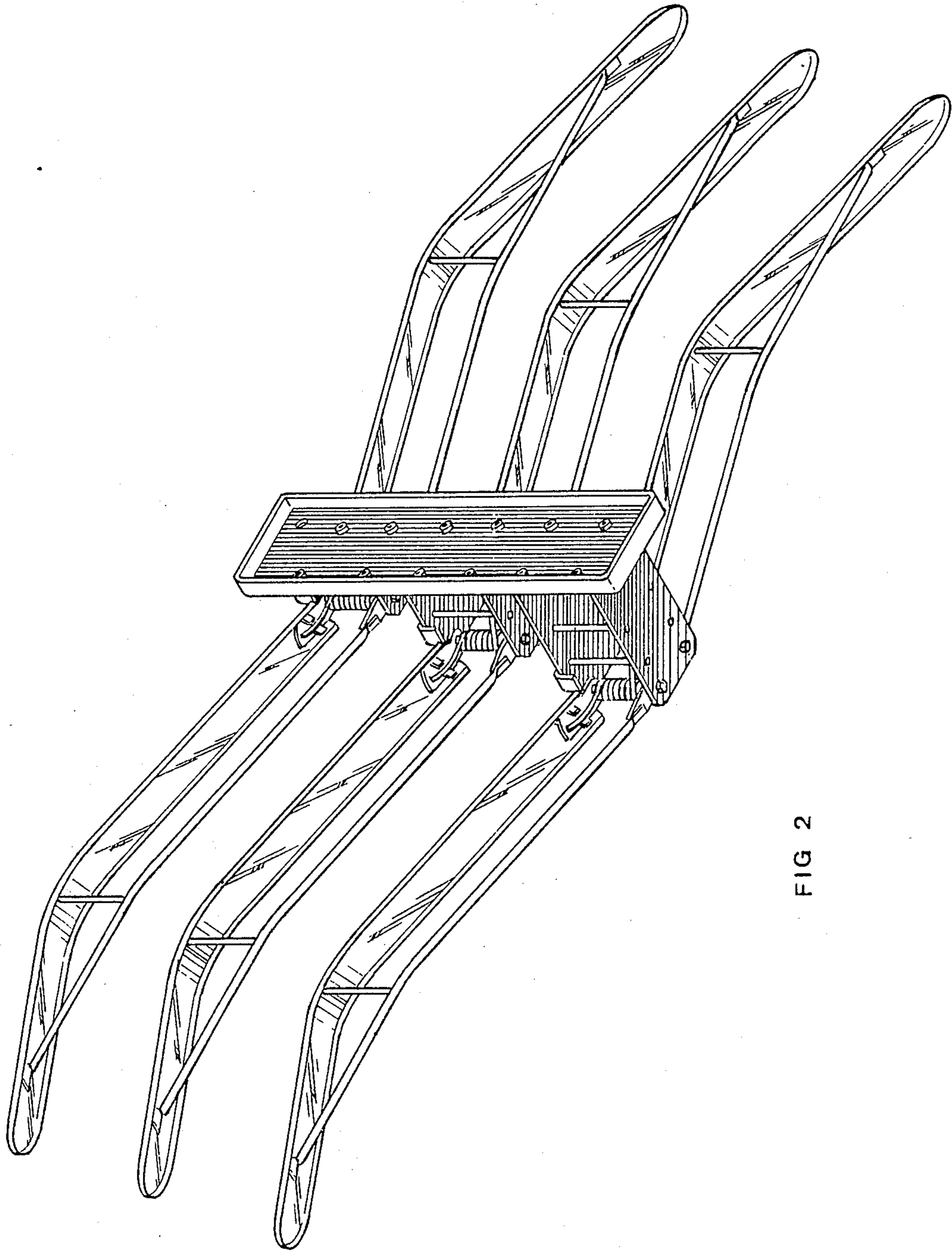


FIG 2