

[54] CONSOLE CADDY FOR AUTOMOBILES

[75] Inventors: Ted A. Bell; Daniel F. Lehner, both of Coshocton, Ohio

[73] Assignee: Pretty Products, Inc., Coshocton, Ohio

[**] Term: 14 Years

[21] Appl. No.: 855,762

[22] Filed: Apr. 17, 1986

[52] U.S. Cl. D3/40

[58] Field of Search D3/39, 40

[56] References Cited

U.S. PATENT DOCUMENTS

D. 167,974	10/1952	Ferguson	D3/40
D. 199,462	10/1964	Westfield et al.	D3/40
D. 232,871	9/1974	George et al.	D3/40
D. 240,869	8/1976	Marr	D3/40
D. 249,263	9/1978	Neece	D3/40 X
D. 249,904	10/1978	Monopoli	D3/40
3,561,589	2/1971	Larkin	D3/40 X

OTHER PUBLICATIONS

J. C. Whitney & Co. Catalogue, Index-p. U, Console right/center.

Primary Examiner—Bruce W. Dunkins

Assistant Examiner—Y. Brunot

Attorney, Agent, or Firm—Robert E. Stebens

[57] CLAIM

The ornamental design for a console caddy for automobiles, substantially as shown and described.

DESCRIPTION

FIG. 1 is a perspective view of a console caddy for automobiles showing our new design.

FIG. 2 is a top plan view thereof.

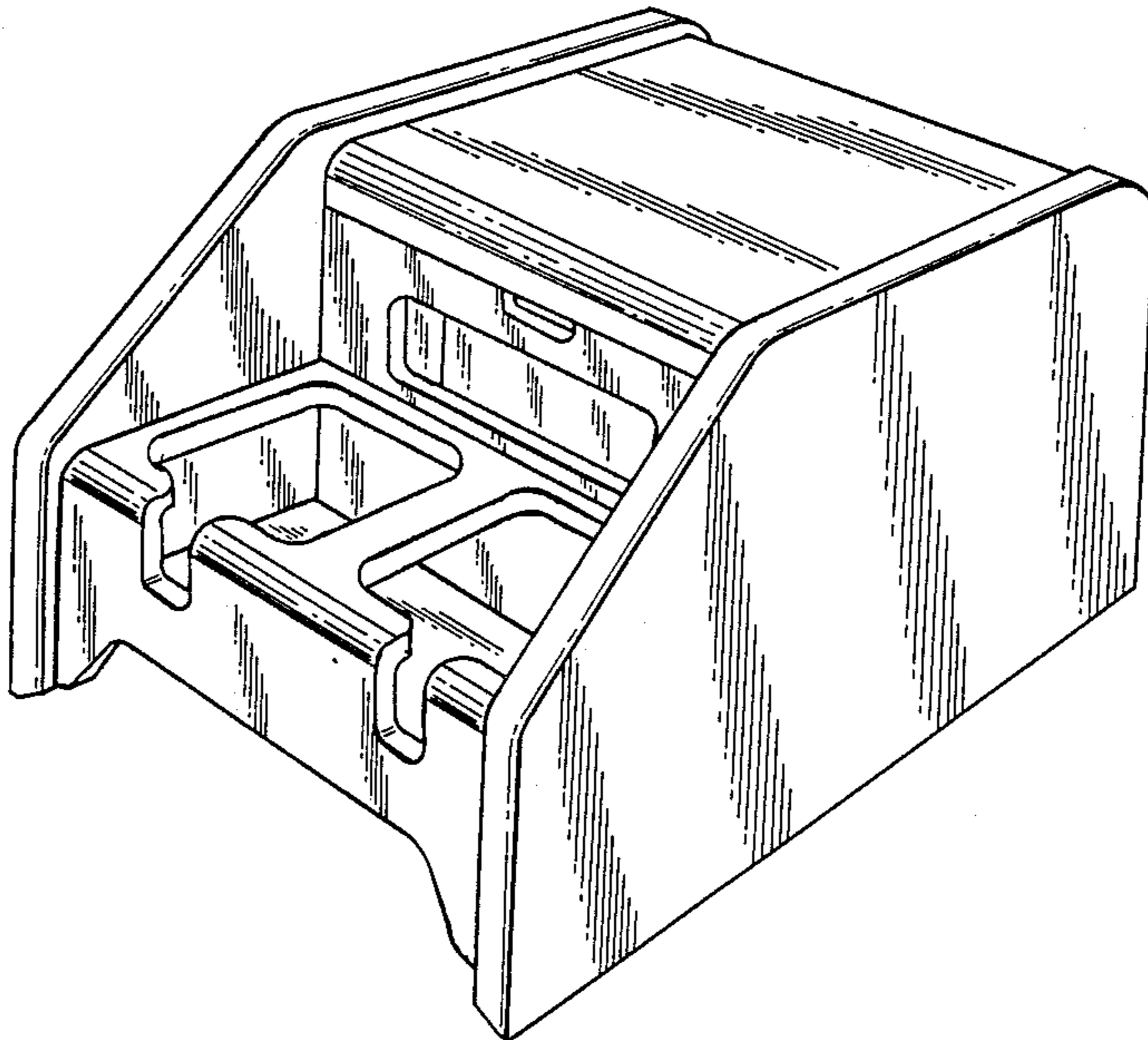
FIG. 3 is a side elevational view thereof, the opposite side being a mirror image.

FIG. 4 is an end elevational view as seen from the left side of FIG. 3.

FIG. 5 is an end elevational view as seen from the right side of FIG. 3.

FIG. 6 is a perspective view thereof similar to FIG. 1, but showing the compartment cover swung to an open position.

The bottom of the console caddy is not shown and is substantially unornamental.



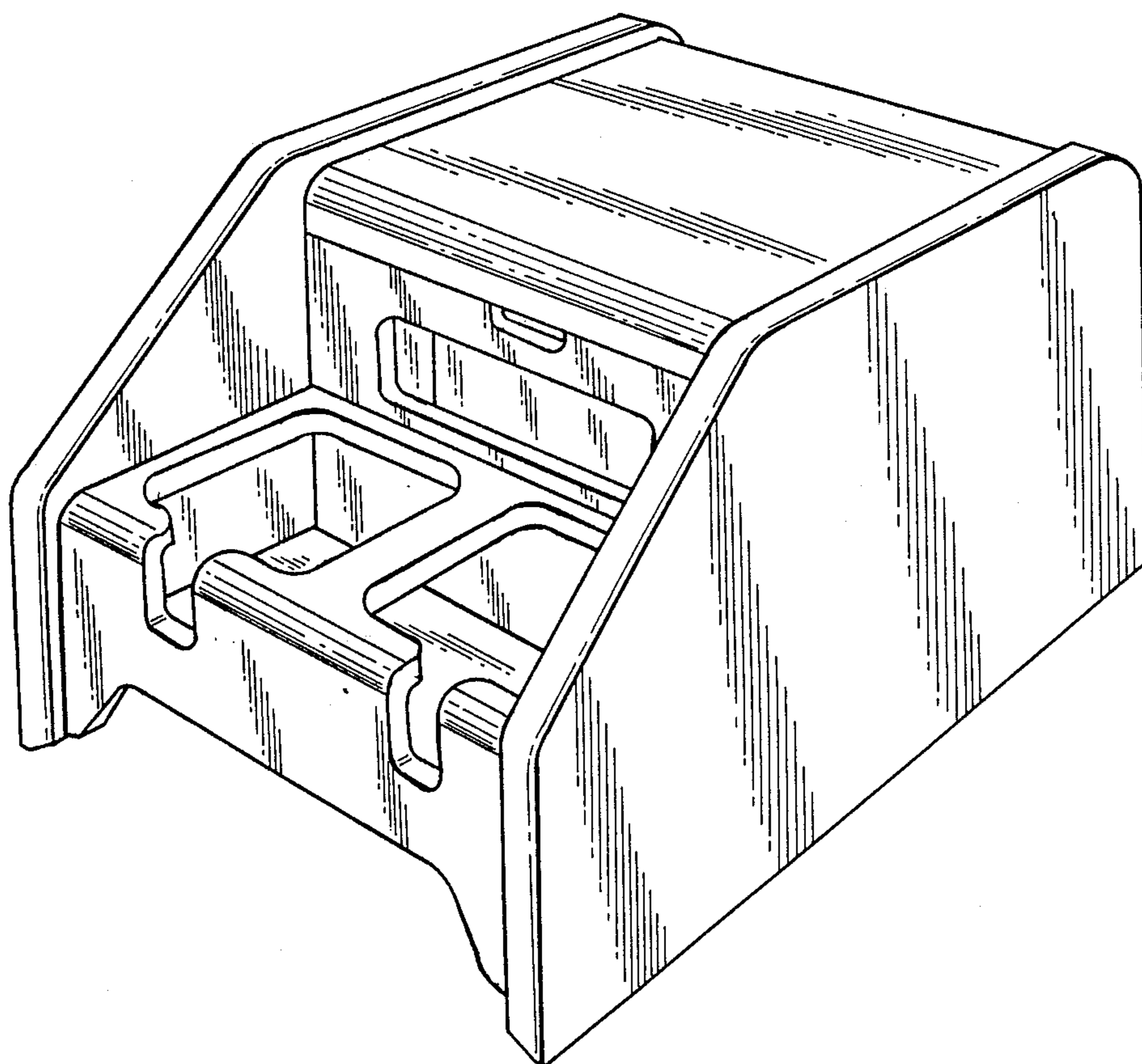


FIG. 1

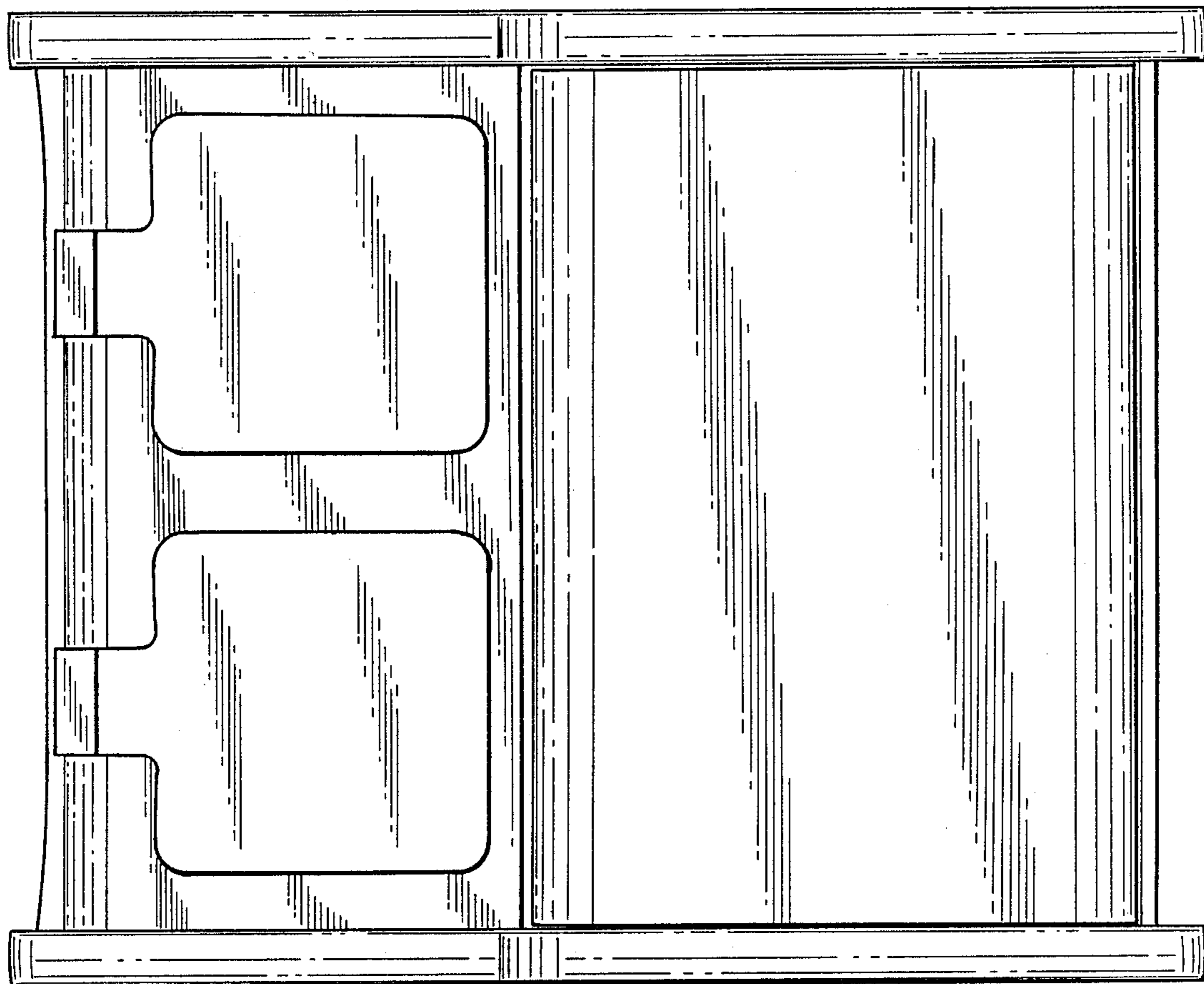


FIG. 2

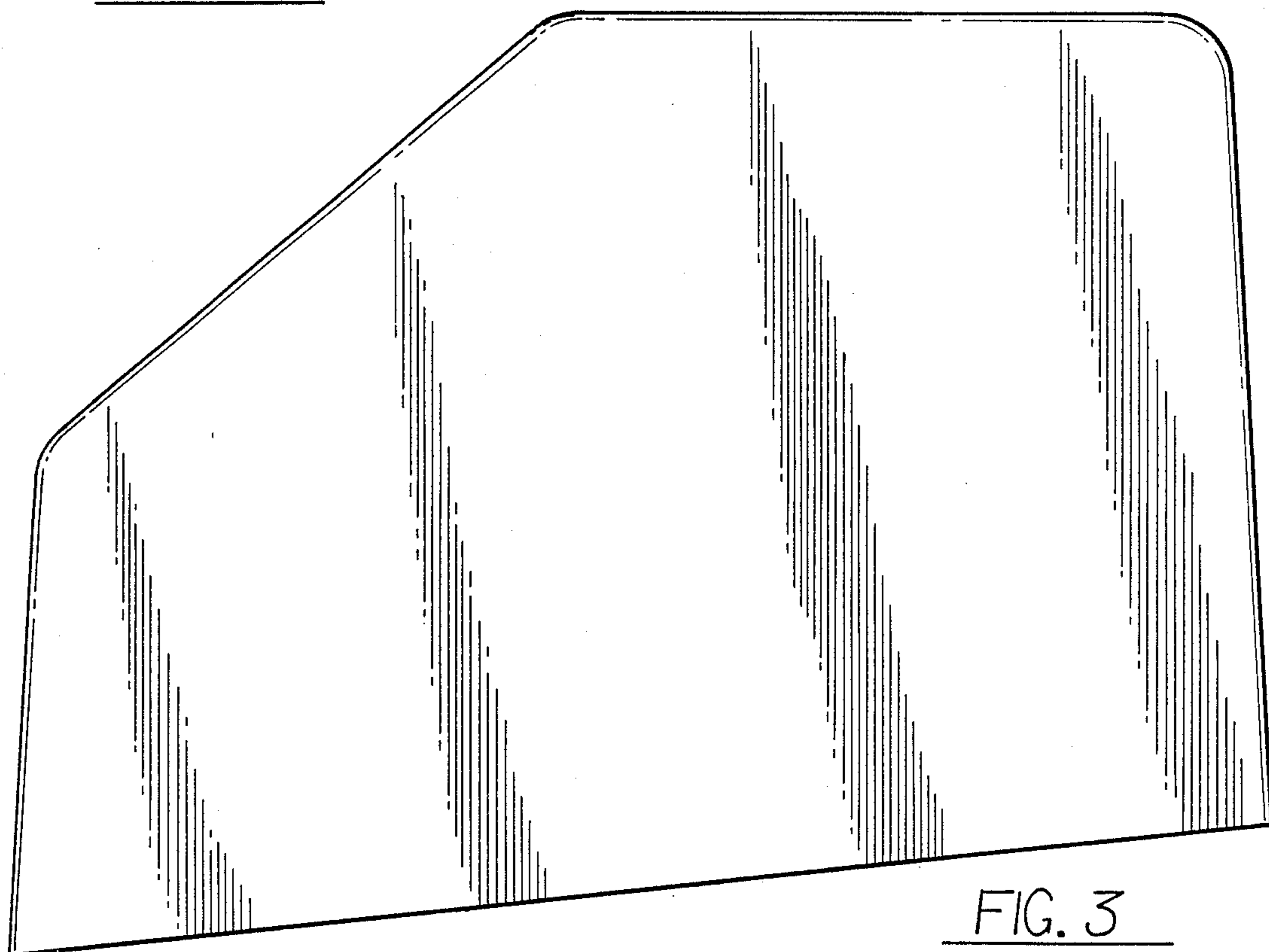
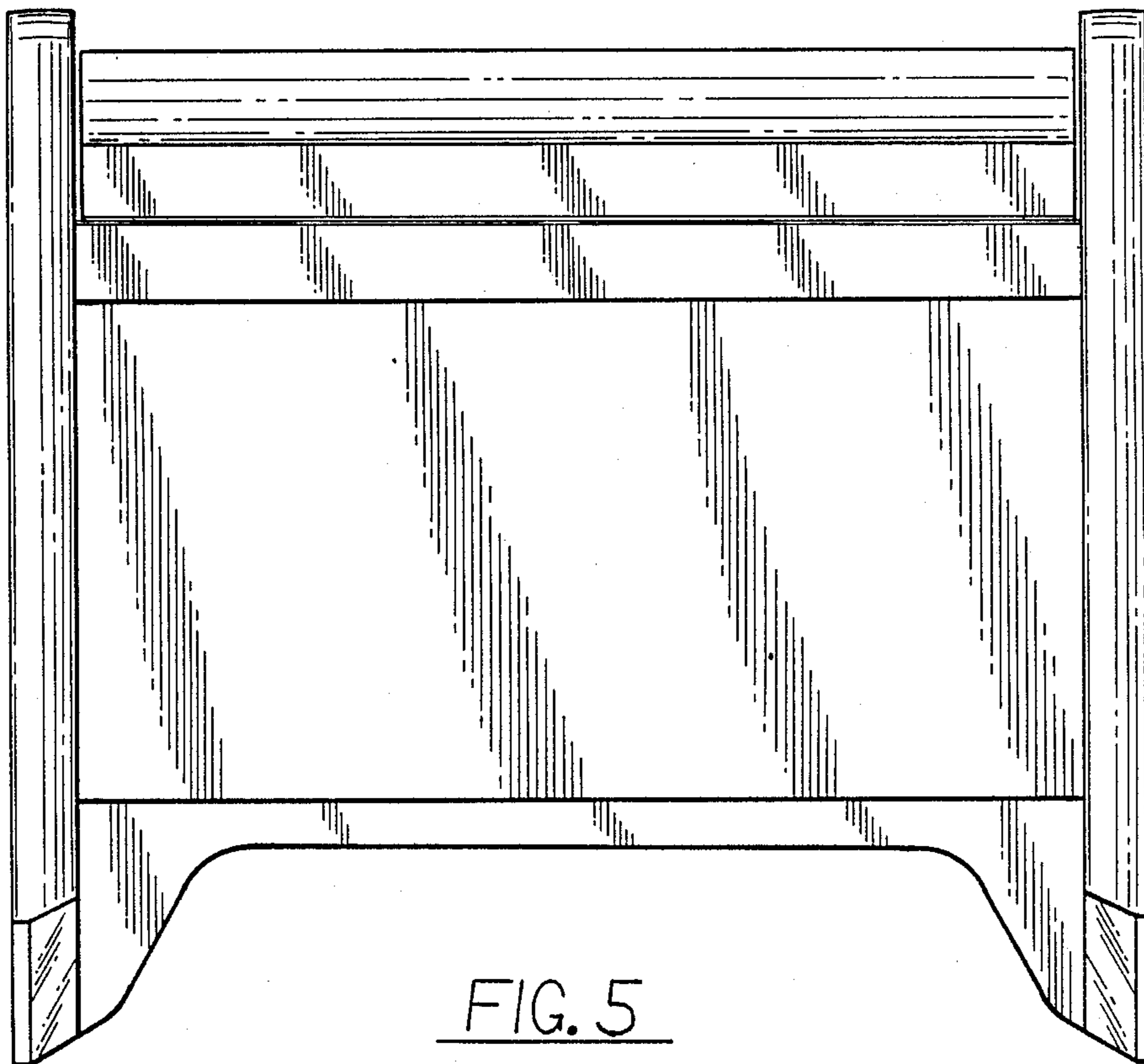
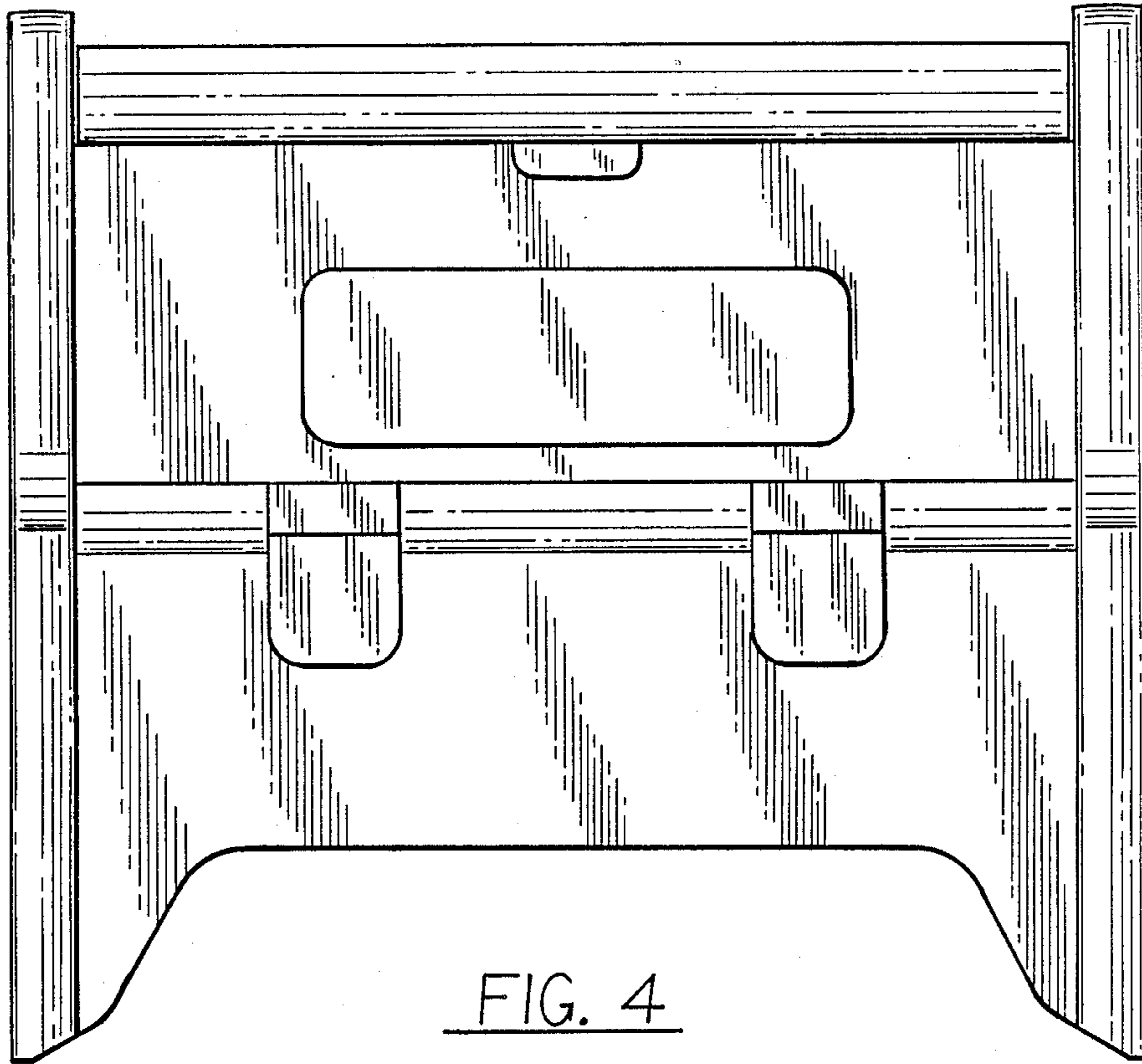


FIG. 3



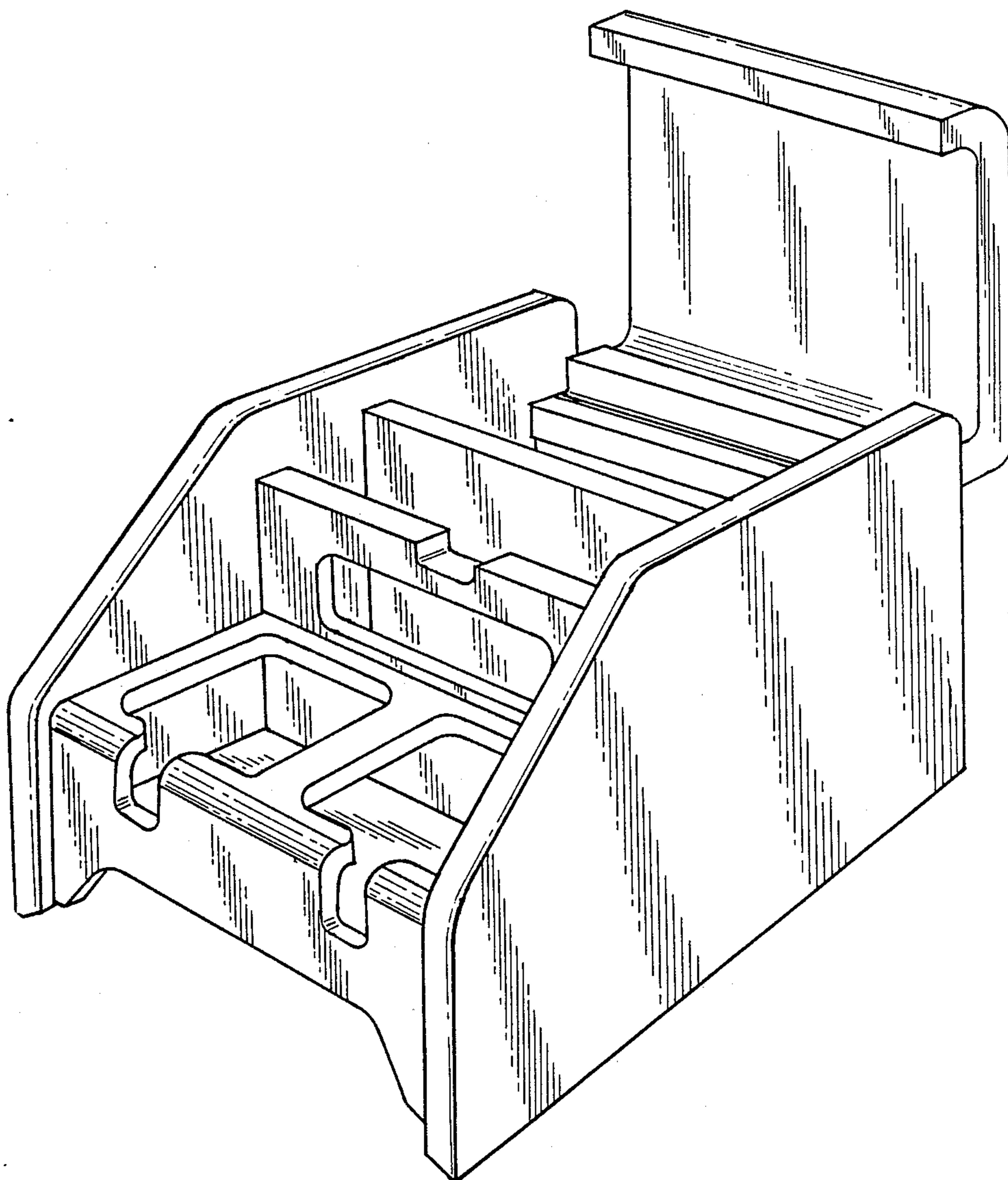


FIG. 6