

[54] PHARMACEUTICAL TABLET

[75] Inventors: Paul Bresloff, Beeston; Alan Crunkhorn, Keyworth; Karrar A. Khan, West Bridgford, all of England

[73] Assignee: Boots Company plc, Nottingham, England

[\*\*] Term: 14 Years

[21] Appl. No.: 91,823

[22] Filed: Sep. 1, 1987

[30] Foreign Application Priority Data

Mar. 11, 1987 [GB] United Kingdom ..... 1040626

[52] U.S. Cl. .... D28/2; D28/8.1

[58] Field of Search ..... D28/1, 2, 3, 8.1, 8.2; 424/464, 465, 466, 467, 468, 472, 473, 474; 426/97, 98; 252/92; D1/100, 106, 112, 121, 127, 128, 129, 199

[56] References Cited

U.S. PATENT DOCUMENTS

D. 229,175	11/1973	Libertone	.....	D28/2
D. 295,683	5/1988	Kirk	.....	D28/2
3,166,476	1/1965	Lowey	.....	424/469
4,618,487	10/1986	DuBois et al.	.....	424/468
4,693,886	9/1987	Ayer	.....	424/467

OTHER PUBLICATIONS

McNeillLab Inc., pamphlet (1983) Zomax® Tablet. Drug Standard, vol. 27, No. 5 Sep.-Oct. 1959, p. 126, Common Tablet and Capsule Shapes, B. 2 BiconVex. Physicians Desk Reference (1987), Ayerst's Inderal and Inderide, p. 404. Burroughs Wellcom's Zylprim, p. 407, Merck Sharp & Dohme's Clinoril and Timolide pp. 417, 418. Upjohn's Provera, p. 434.

Primary Examiner—Wallace R. Burke  
Assistant Examiner—Kay H. Chin  
Attorney, Agent, or Firm—Donald A. Peterson; Herbert D. Hart, III

[57] CLAIM

The ornamental design for a pharmaceutical tablet, as shown and described.

DESCRIPTION

FIG. 1 is a perspective view of a pharmaceutical tablet showing our new design;  
FIG. 2 is a top plan view, the bottom view being identical thereto;  
FIG. 3 is a side elevational view, viewed in the direction of arrows 3—3 of FIG. 2; and  
FIG. 4 is a side elevational view, viewed in the direction of the arrows 4—4 of FIG. 2.

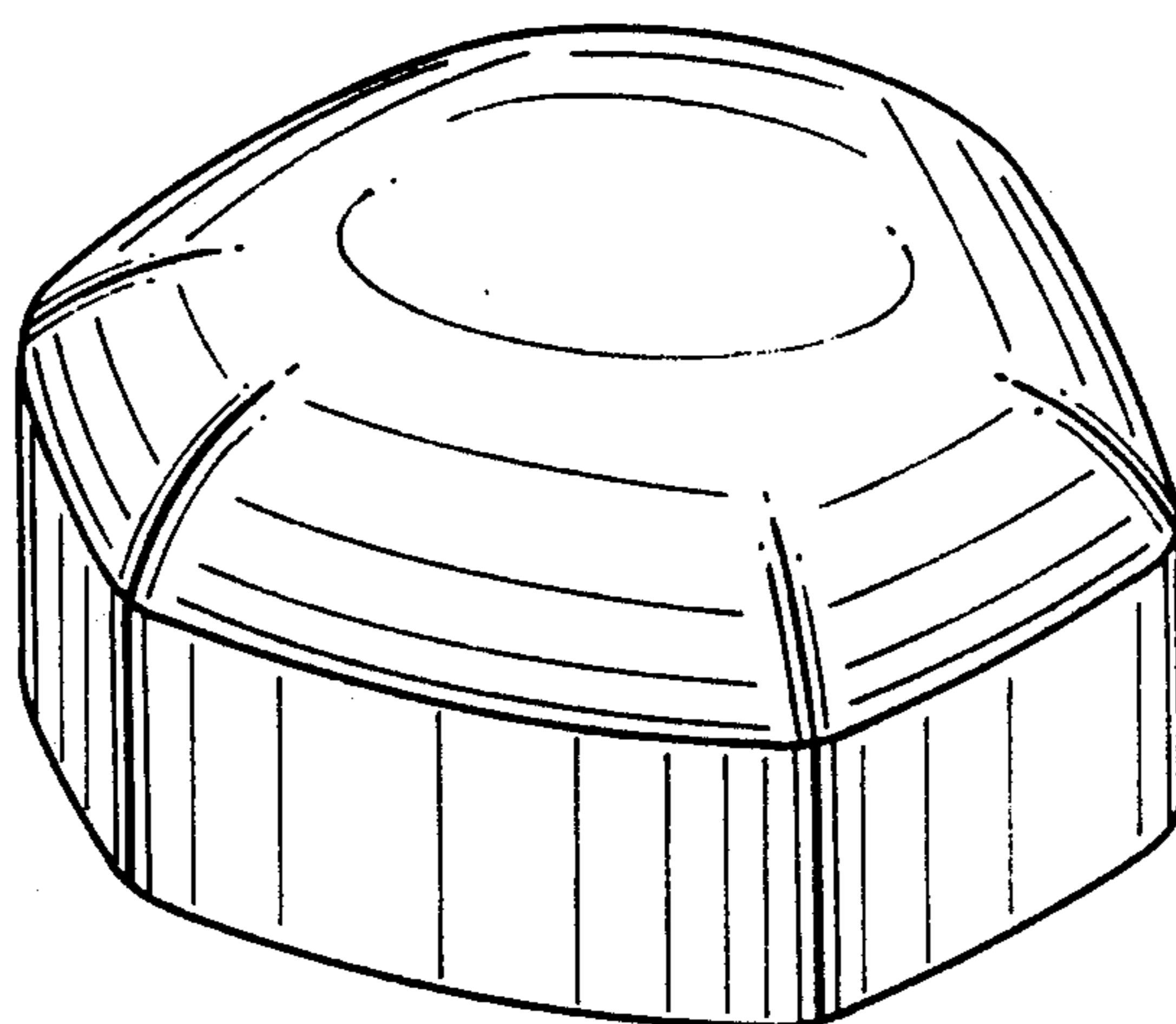


FIG. 1

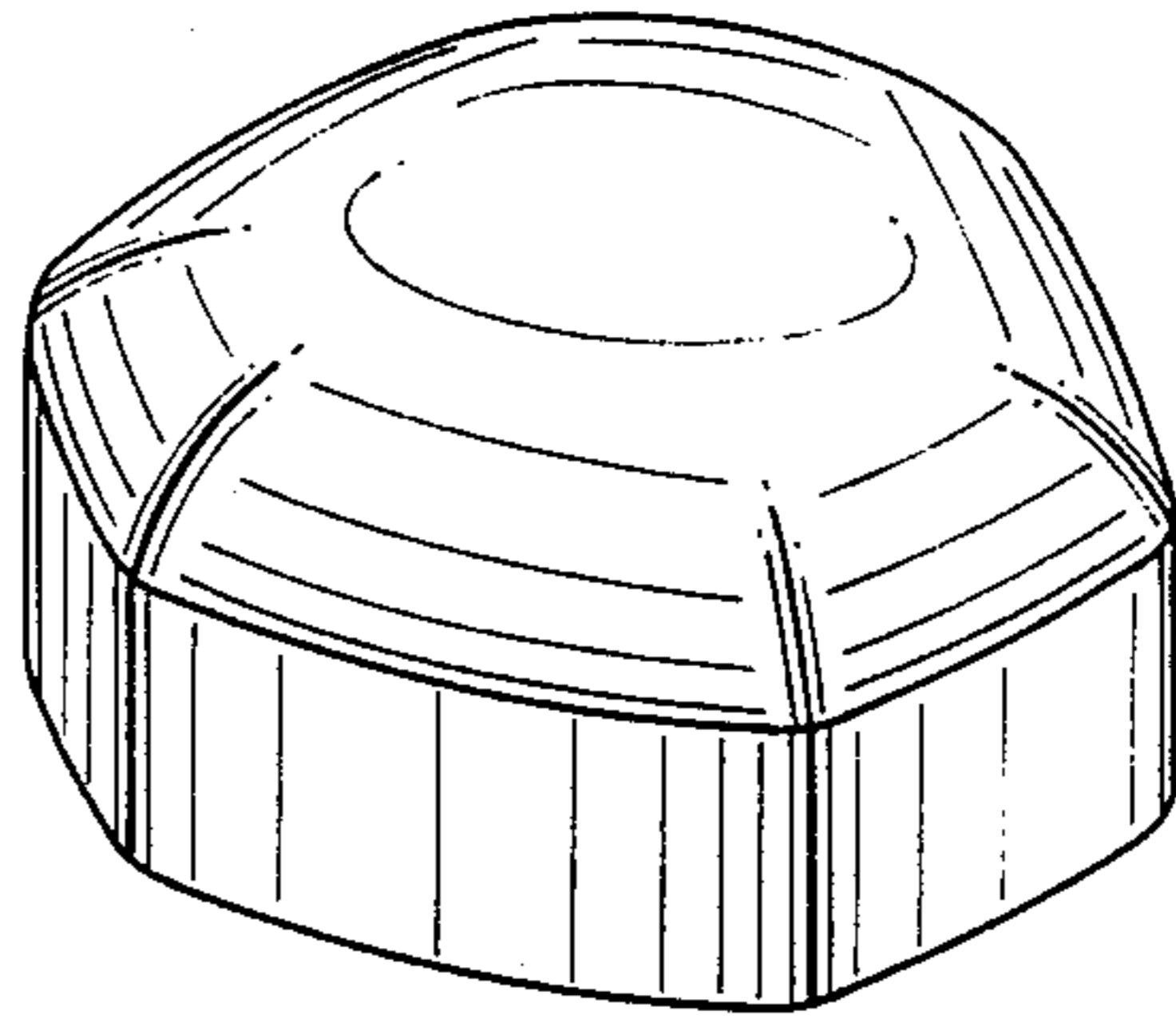


FIG. 2

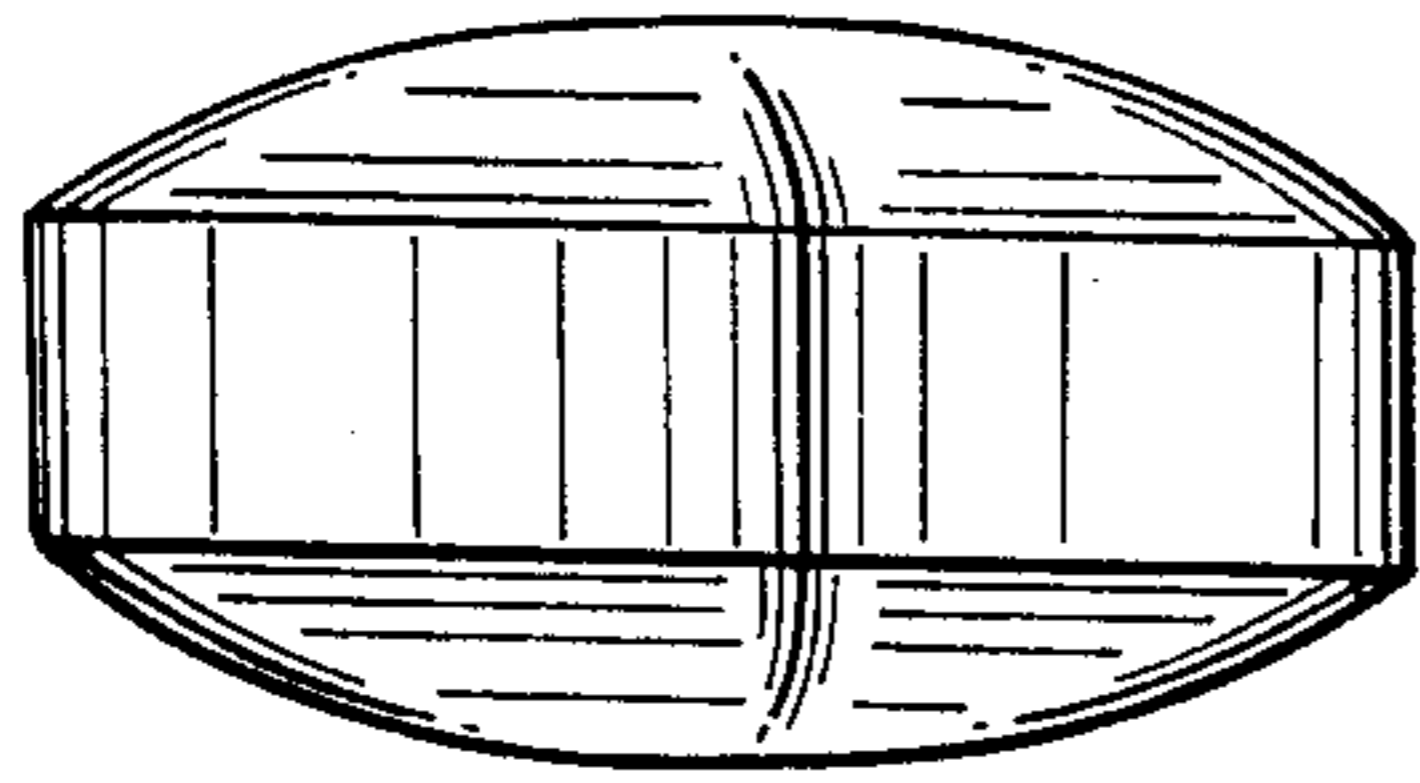
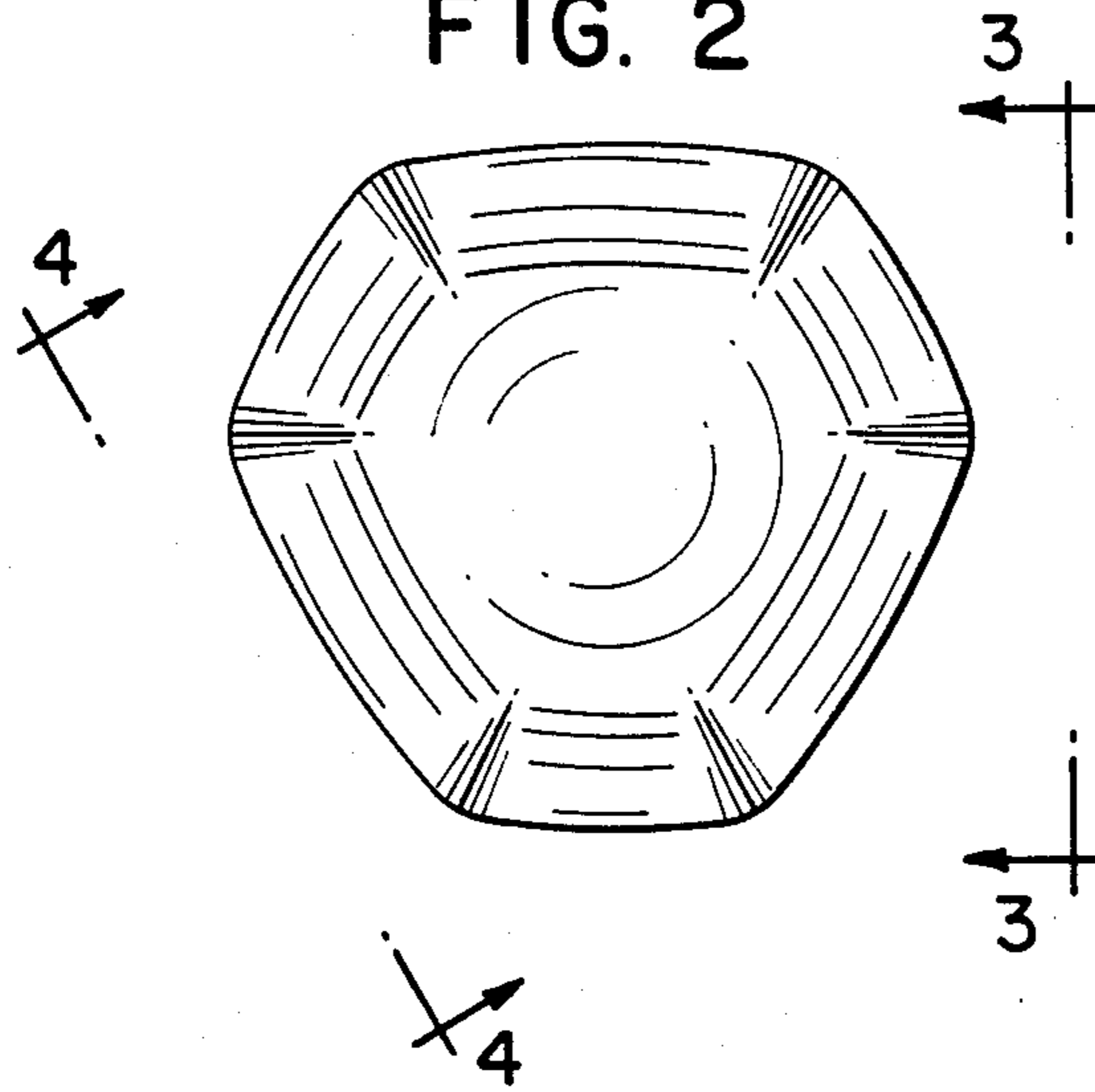


FIG. 3

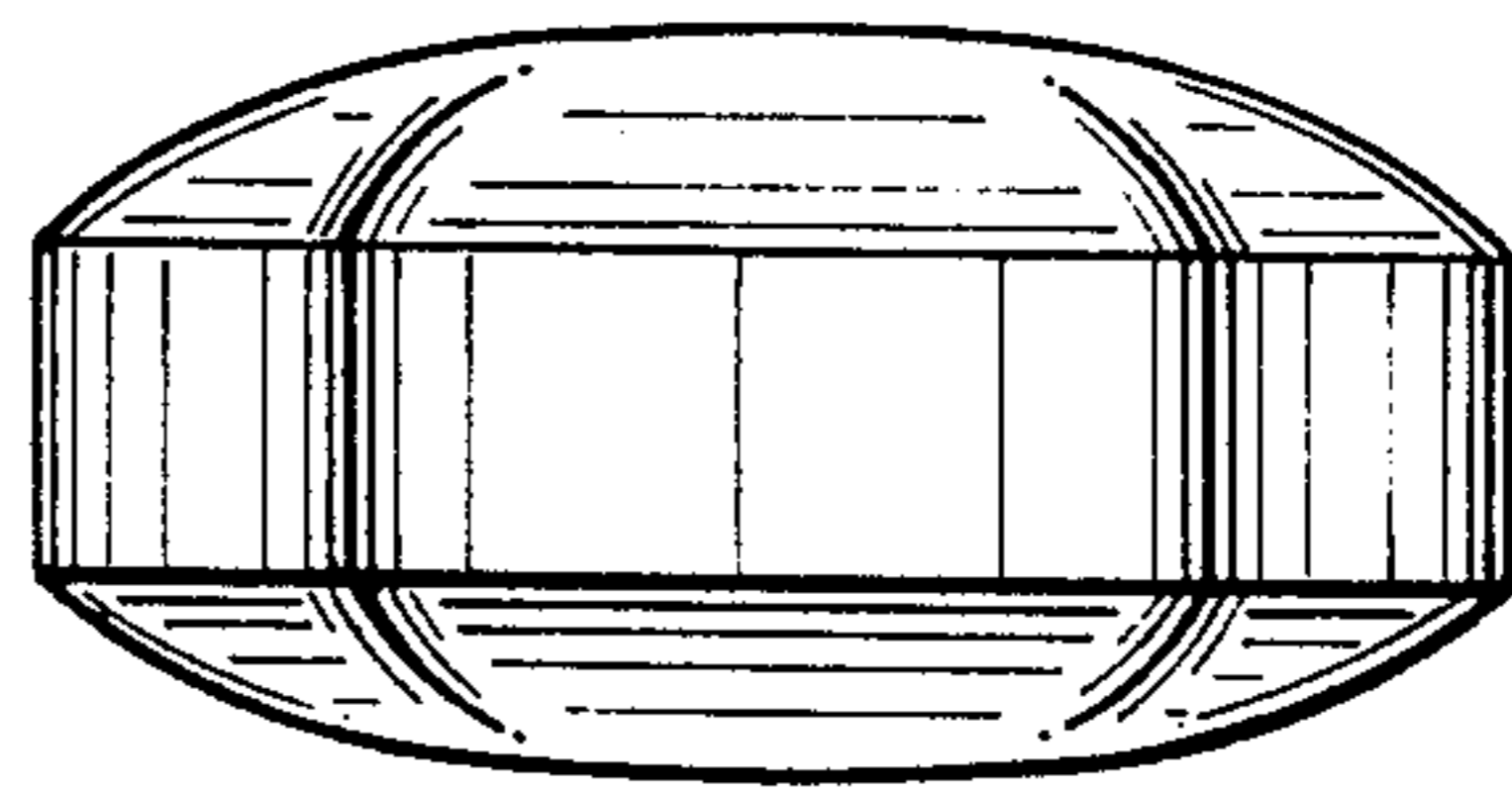


FIG. 4