

[54] **LAMP**
[75] **Inventor: Jean C. Mason, Hollywood, Calif.**
[73] **Assignee: Casablanca Fan Company, Inc., City of Industry, Calif.**
[**] **Term: 14 Years**
[21] **Appl. No.: 18,008**
[22] **Filed: Feb. 24, 1987**
[52] **U.S. Cl. D26/110**
[58] **Field of Search D26/93, 102-112; 362/410-414**

D. 155,588 10/1938 Finke D26/104

Primary Examiner—Susan J. Lucas
Attorney, Agent, or Firm—Charles H. Schwartz;
Ellsworth R. Roston

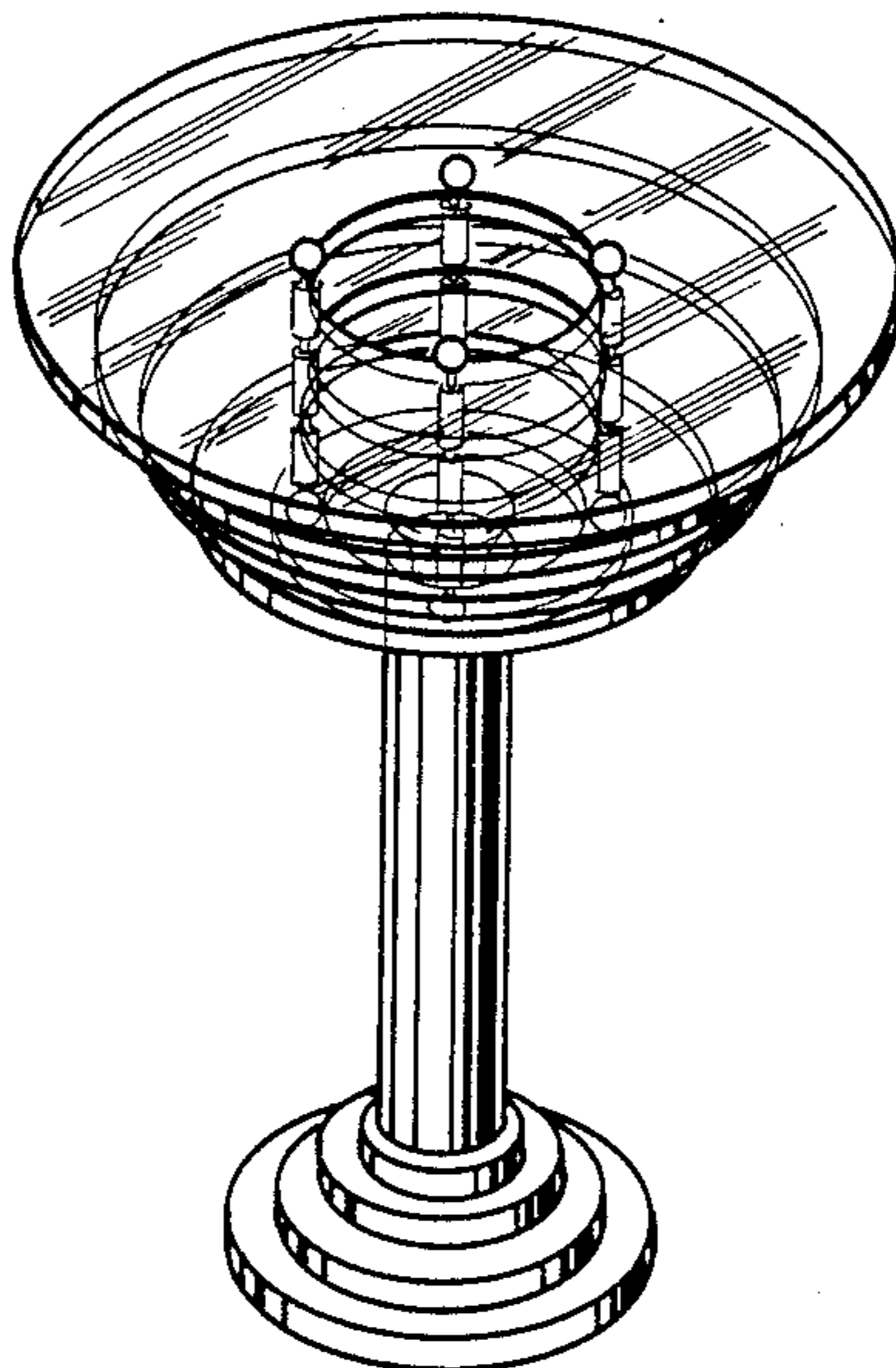
[57] **CLAIM**

The ornamental design for a lamp, as shown and described.

DESCRIPTION

FIG. 1 is a top perspective view of a lamp showing my new design as embodied in a table lamp;
FIG. 2 is a front elevational view thereof, on a reduced scale, the sides and rear being identical;
FIG. 3 is a bottom plan view thereof on a reduced scale;
FIG. 4 is a top perspective view of my design as embodied in a floor lamp, it being understood that the embodiment differs from the first only in the length of the standard which is broken away for convenience of illustration.

[56] **References Cited**
U.S. PATENT DOCUMENTS
D. 84,077 5/1931 Graff D26/104
D. 106,835 11/1937 Stewart D26/102
D. 109,599 5/1938 Anderson D26/110



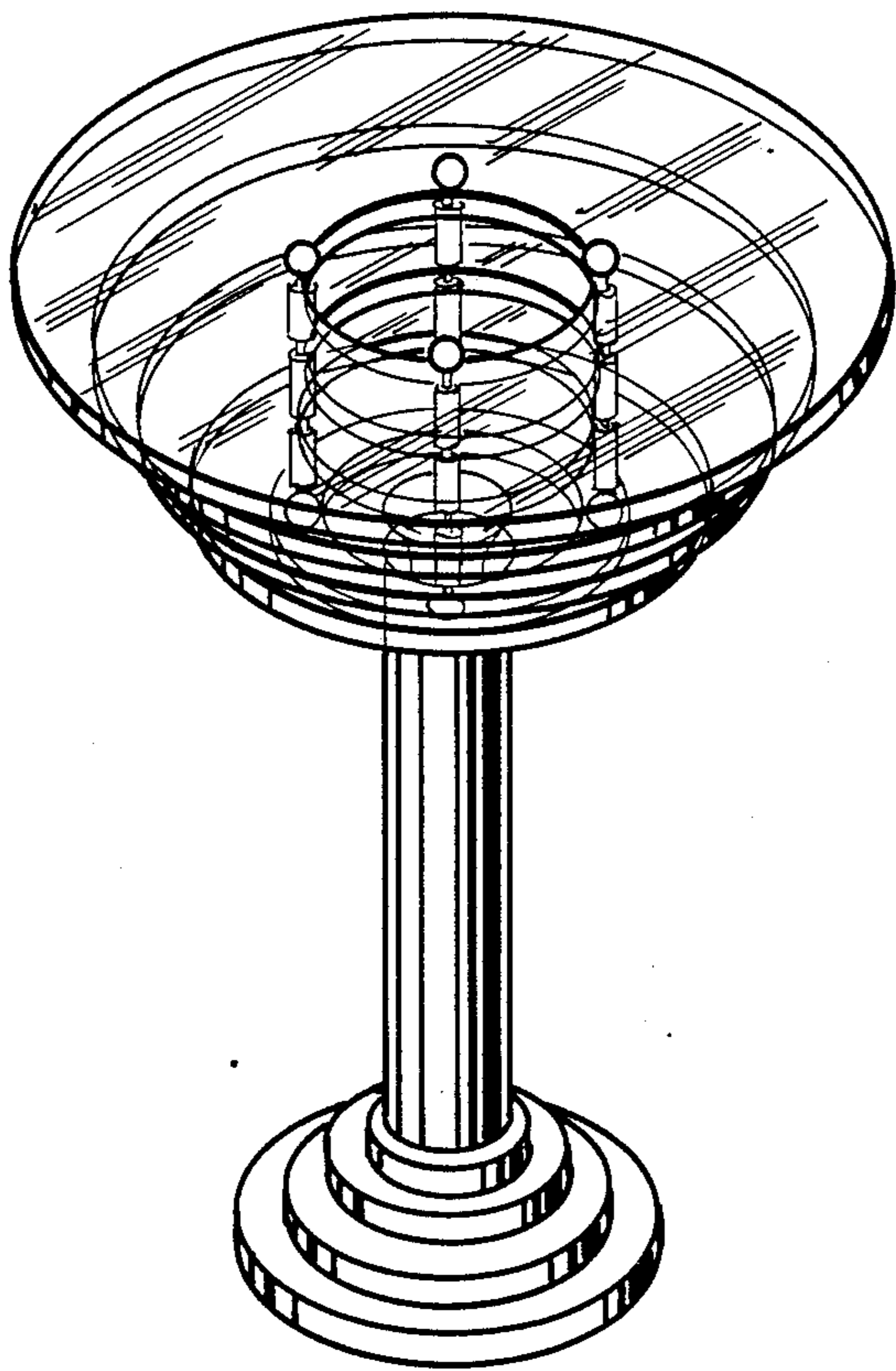


FIG. 1

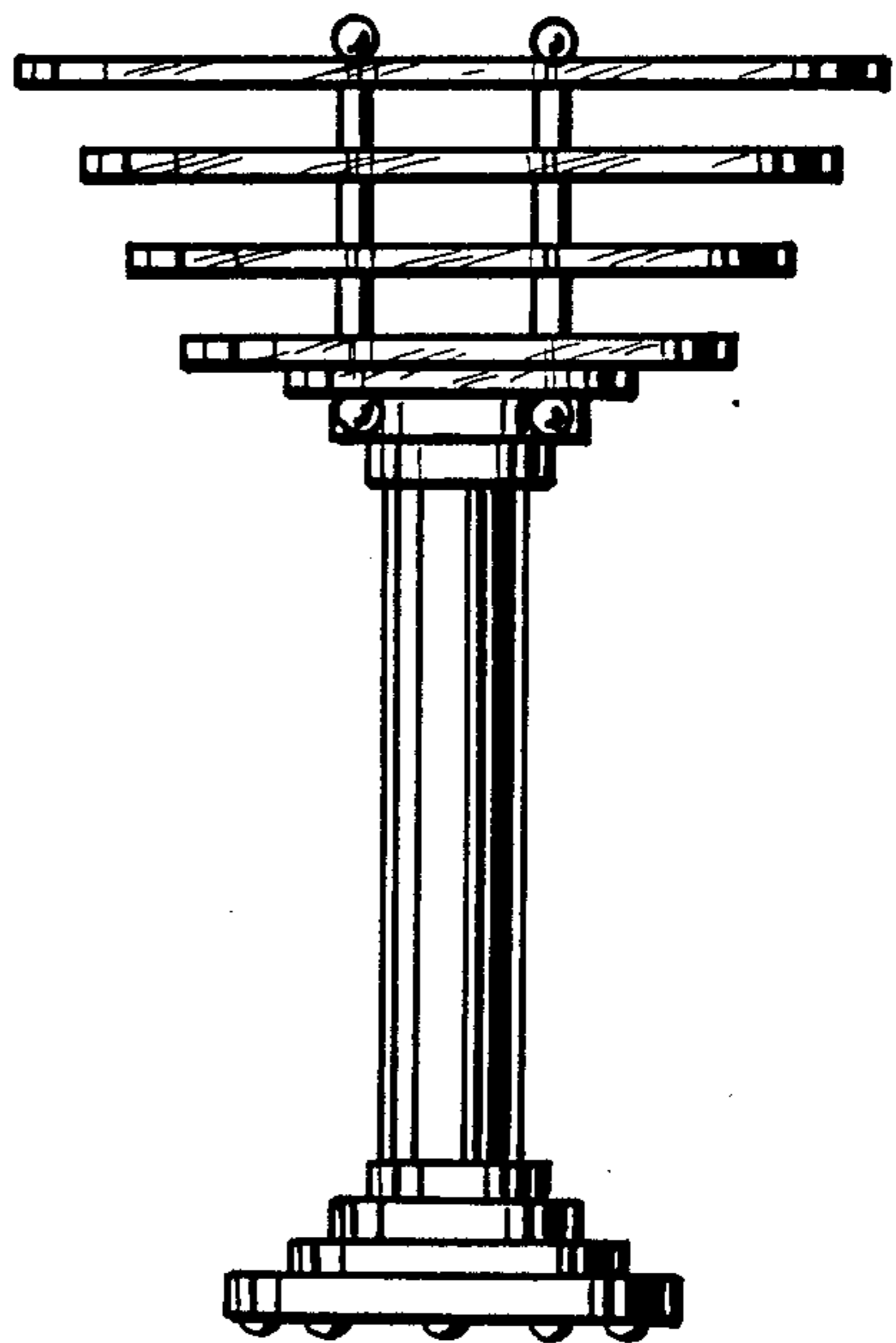


FIG. 2

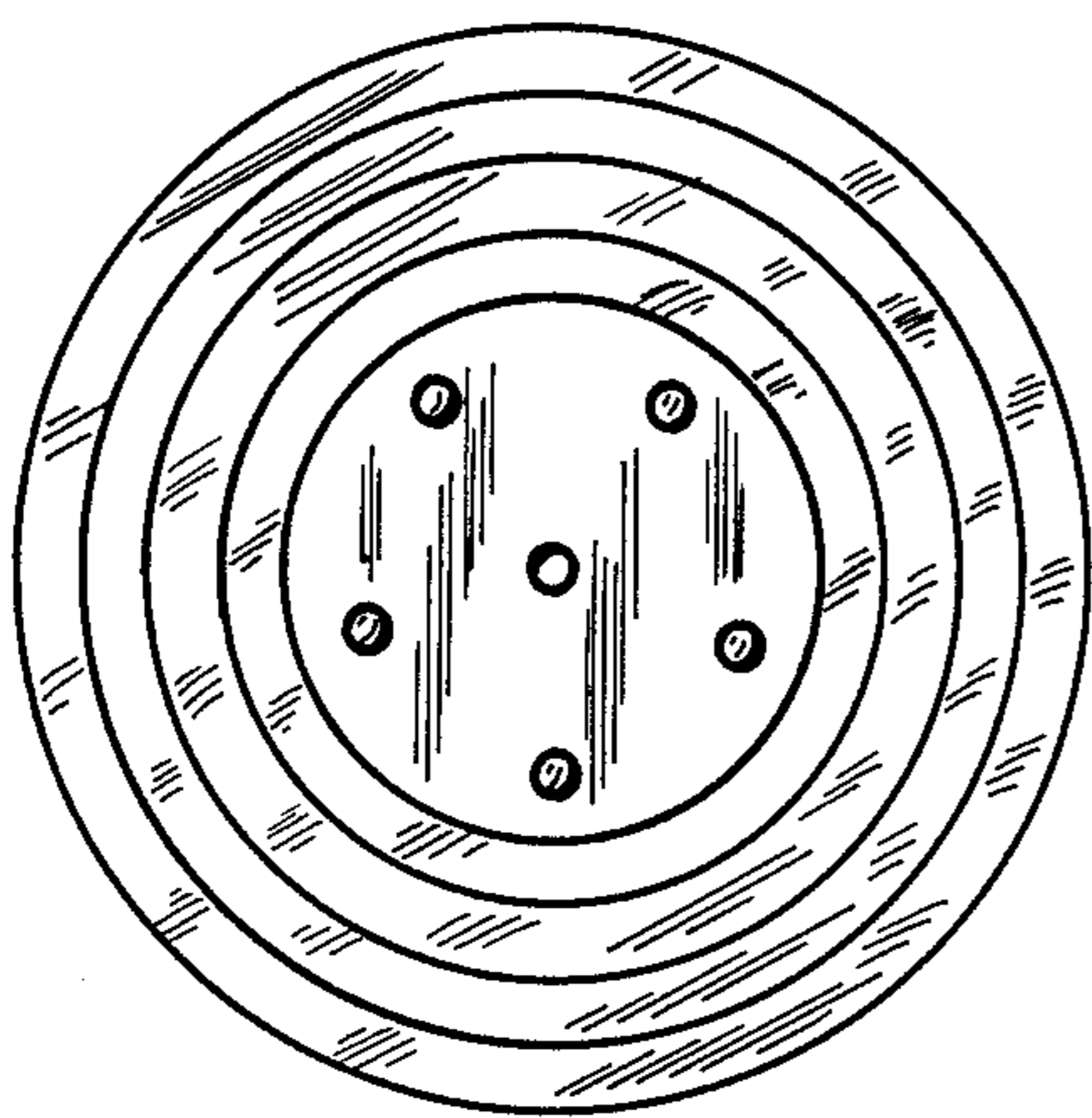


FIG. 3

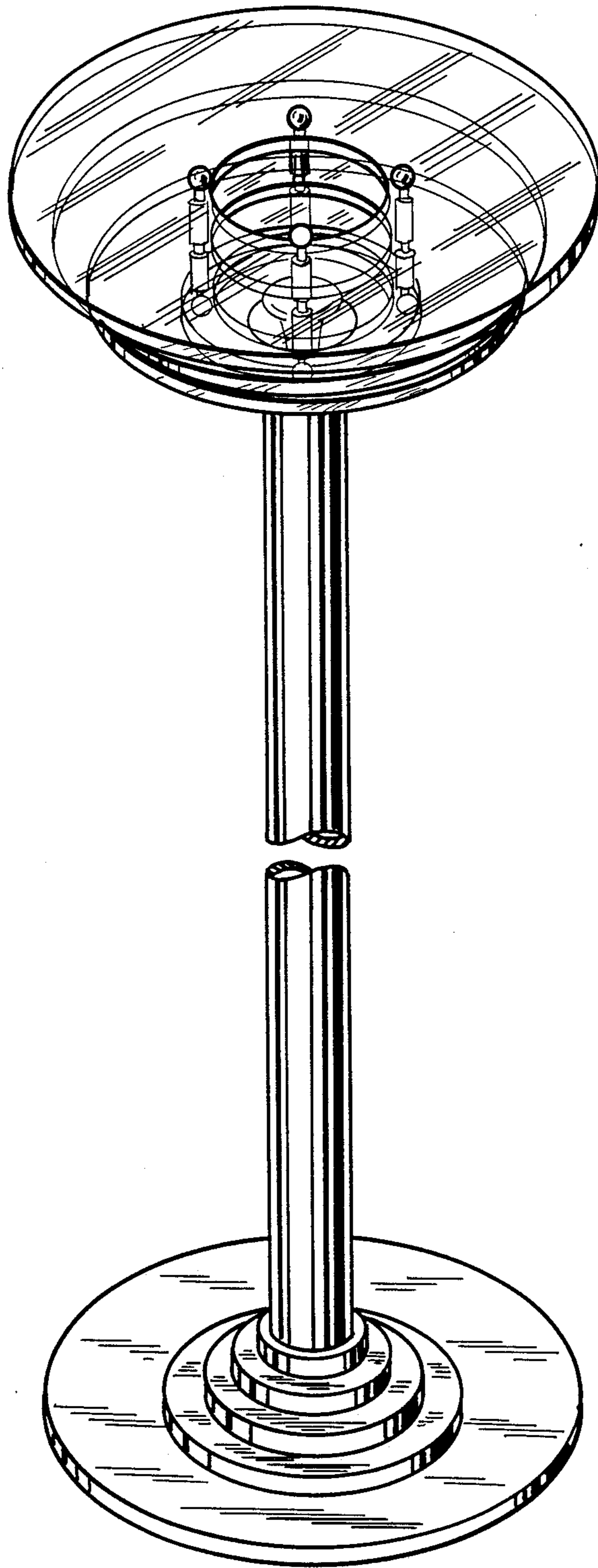


FIG. 4