

# United States Patent [19]

Clyde-Mason

[11] Patent Number: **Des. 302,332**

[45] Date of Patent: **\*\* Jul. 18, 1989**

[54] FLOOR LAMP

[75] Inventor: **Jean Clyde-Mason**, Hollywood, Calif.

[73] Assignee: **Casablanca Fan Company, Inc.**, City of Industry, Calif.

[\*\*] Term: **14 Years**

[21] Appl. No.: **15,337**

[22] Filed: **Feb. 17, 1987**

[52] U.S. Cl. .... **D26/110**

[58] Field of Search ..... **D26/93, 102-112; 362/410-414**

[56] **References Cited**

### U.S. PATENT DOCUMENTS

D. 78,602 5/1929 Arenberg ..... D26/105  
D. 84,077 5/1931 Graff ..... D26/104

D. 106,835 11/1937 Stewart ..... D26/102  
D. 109,599 5/1938 Anderson ..... D26/110  
D. 110,713 8/1938 Weiner ..... D26/102  
D. 112,741 12/1938 Di Figlia ..... D26/112

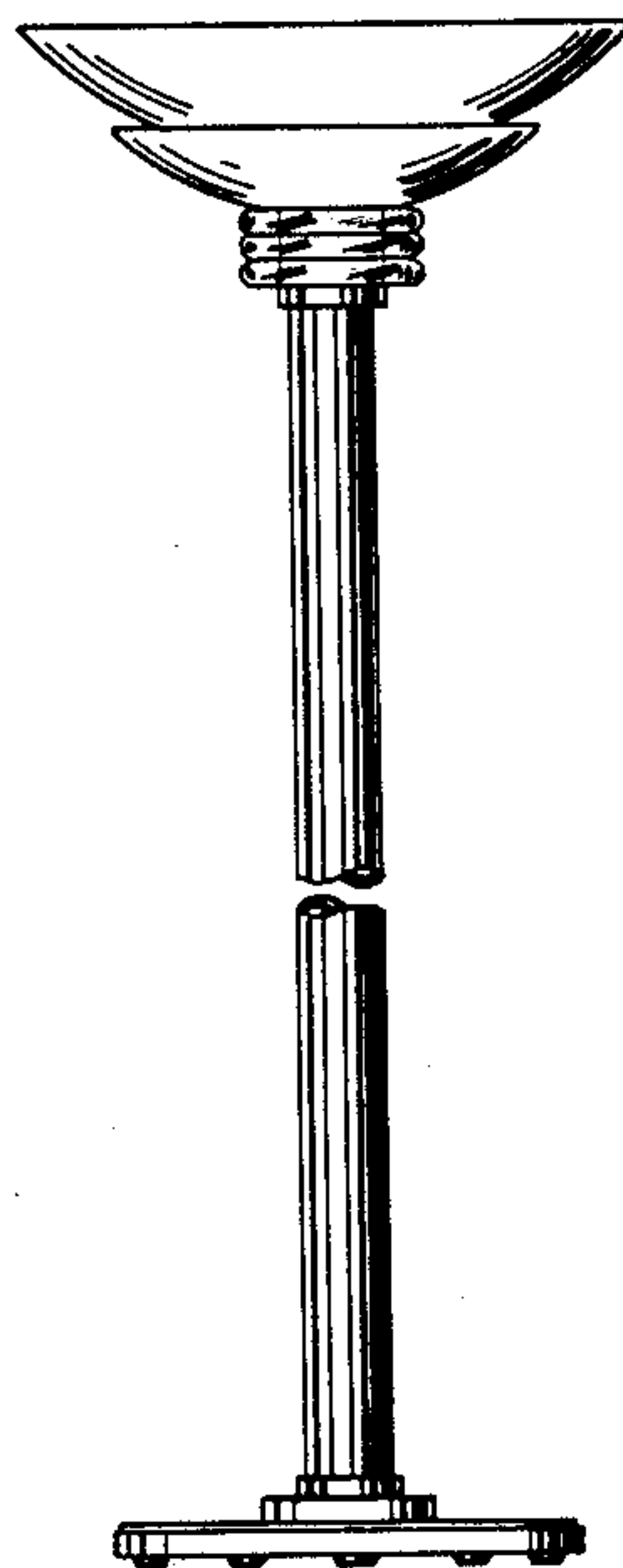
*Primary Examiner*—Susan J. Lucas  
*Attorney, Agent, or Firm*—Charles H. Schwartz;  
Ellsworth R. Roston

### [57] CLAIM

The ornamental design for a floor lamp, as shown and described.

### DESCRIPTION

FIG. 1 is a fragmentary top perspective view of a floor lamp showing my new design;  
FIG. 2 is a fragmentary front elevational view thereof, the sides and rear being identical; and  
FIG. 3 is a bottom plan view thereof.  
The standard is broken away in FIGS. 1 and 2 for convenience of illustration.



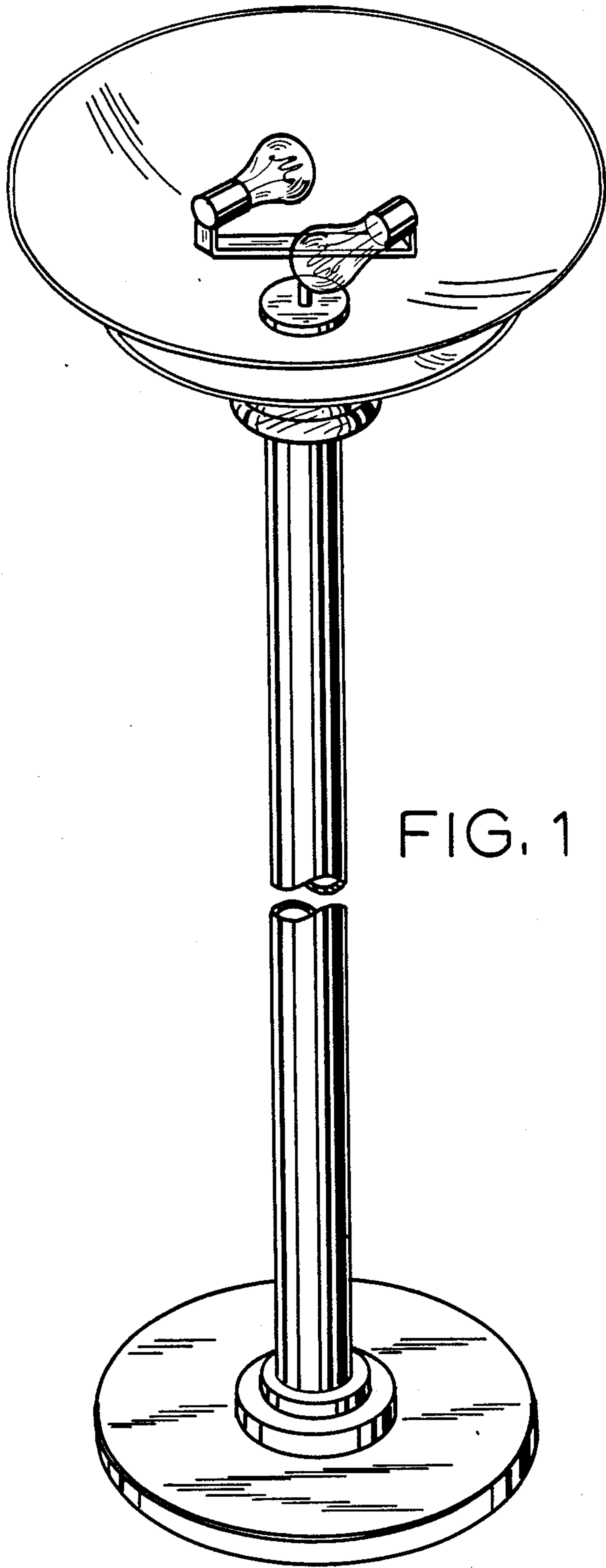


FIG. 1

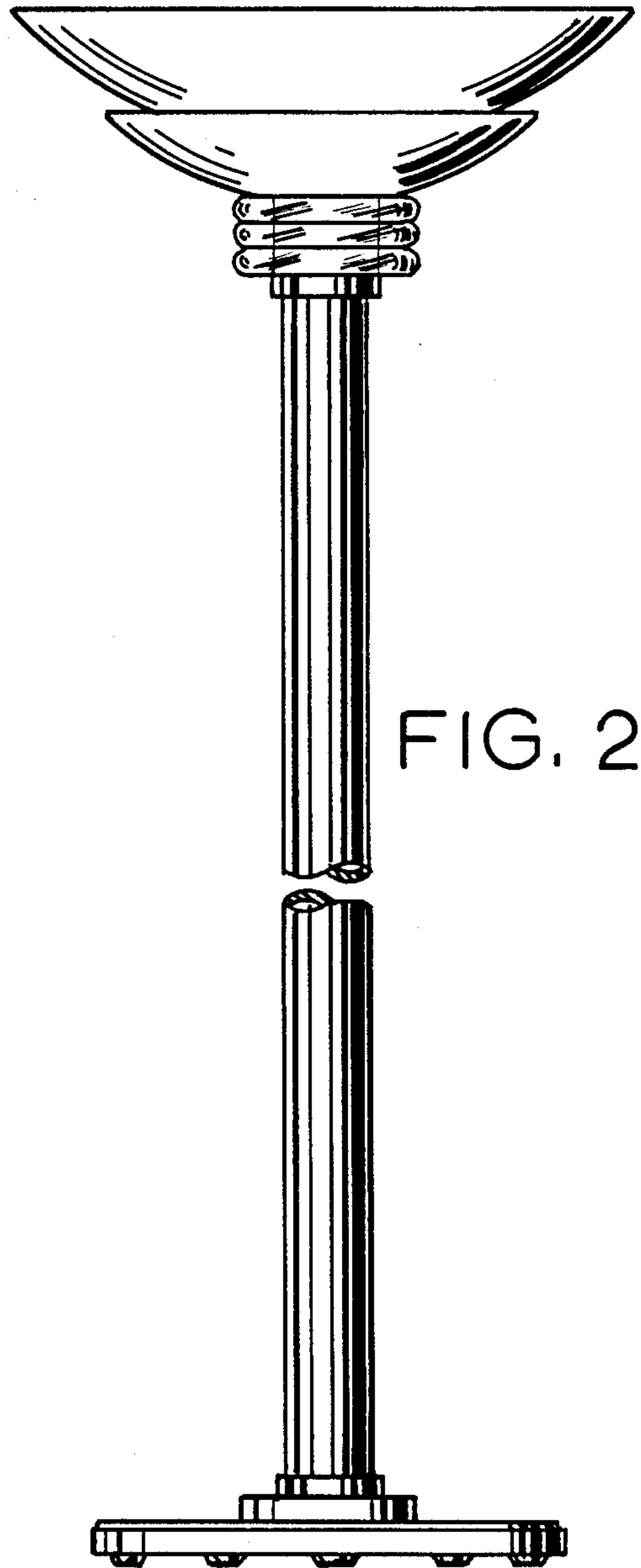


FIG. 2

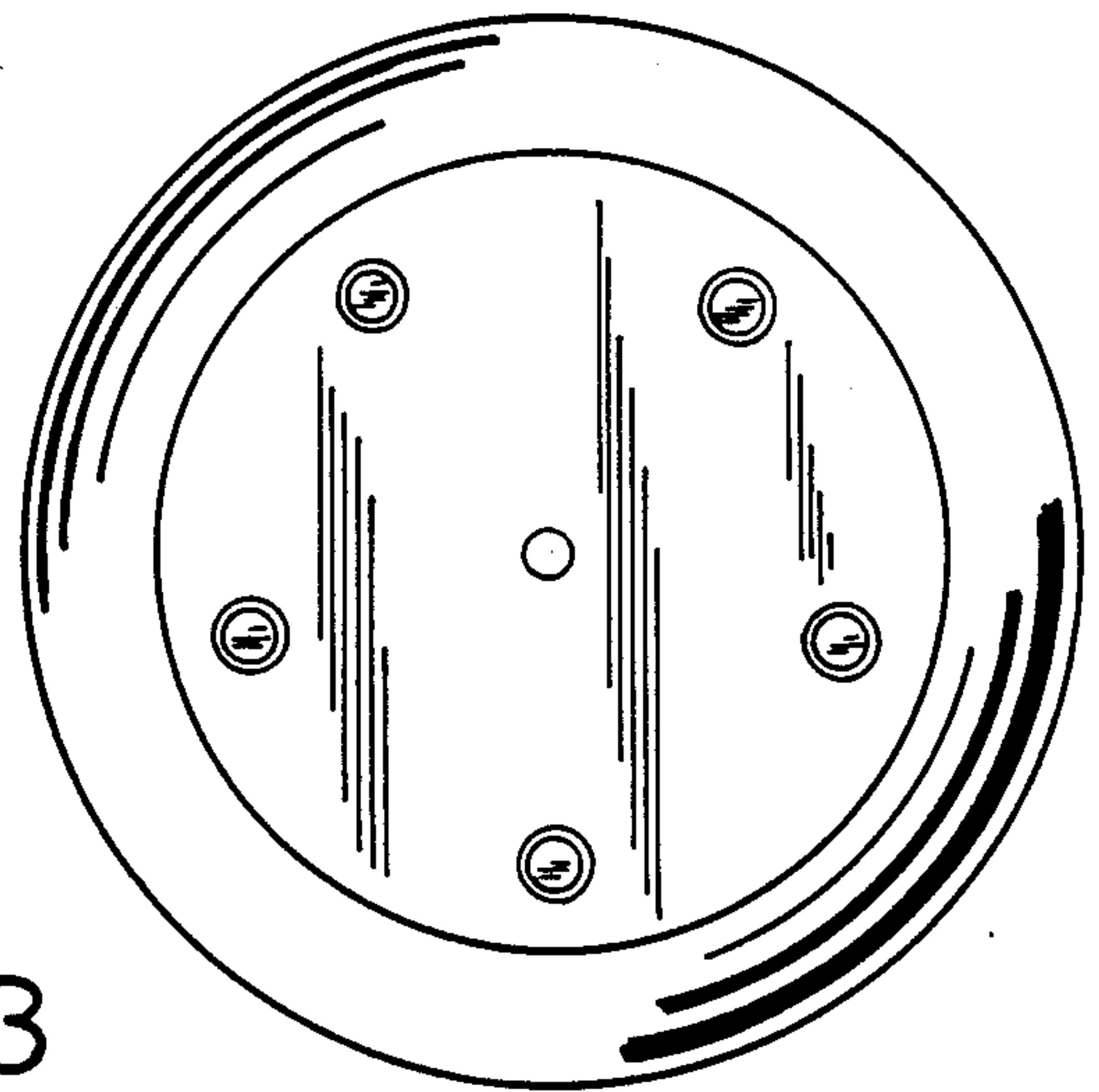


FIG. 3