

[54] LAMP OR THE LIKE

3,178,569 4/1965 Martin D26/87 X

[76] Inventor: Sergio Dolfi, 1233-1235 Colony House, 145 15th St., N.E., Atlanta, Ga. 30361

[**] Term: 14 Years

[21] Appl. No.: 69,613

[22] Filed: Jul. 2, 1987

[52] U.S. Cl. D26/103; D26/85; D26/128

[58] Field of Search D26/93, 102-112, D26/72, 80-92, 118, 128, 130, 137; 362/410, 411, 412, 413, 414, 806

[56] References Cited

U.S. PATENT DOCUMENTS

- D. 145,583 9/1946 Lolli .
- D. 162,723 4/1951 Gregg D26/85
- D. 197,379 1/1964 Rentz .
- D. 240,156 6/1976 von Serda .
- D. 245,368 8/1977 Mueller .
- D. 271,045 10/1983 Tamblyn .
- 2,358,347 9/1944 Paul .
- 2,566,672 9/1951 Nave et al. .
- 2,586,389 2/1952 Schear et al. 362/352 X

OTHER PUBLICATIONS

Domus, 9-1985, p. 64, lamp (bottom, right).

Primary Examiner—Susan J. Lucas

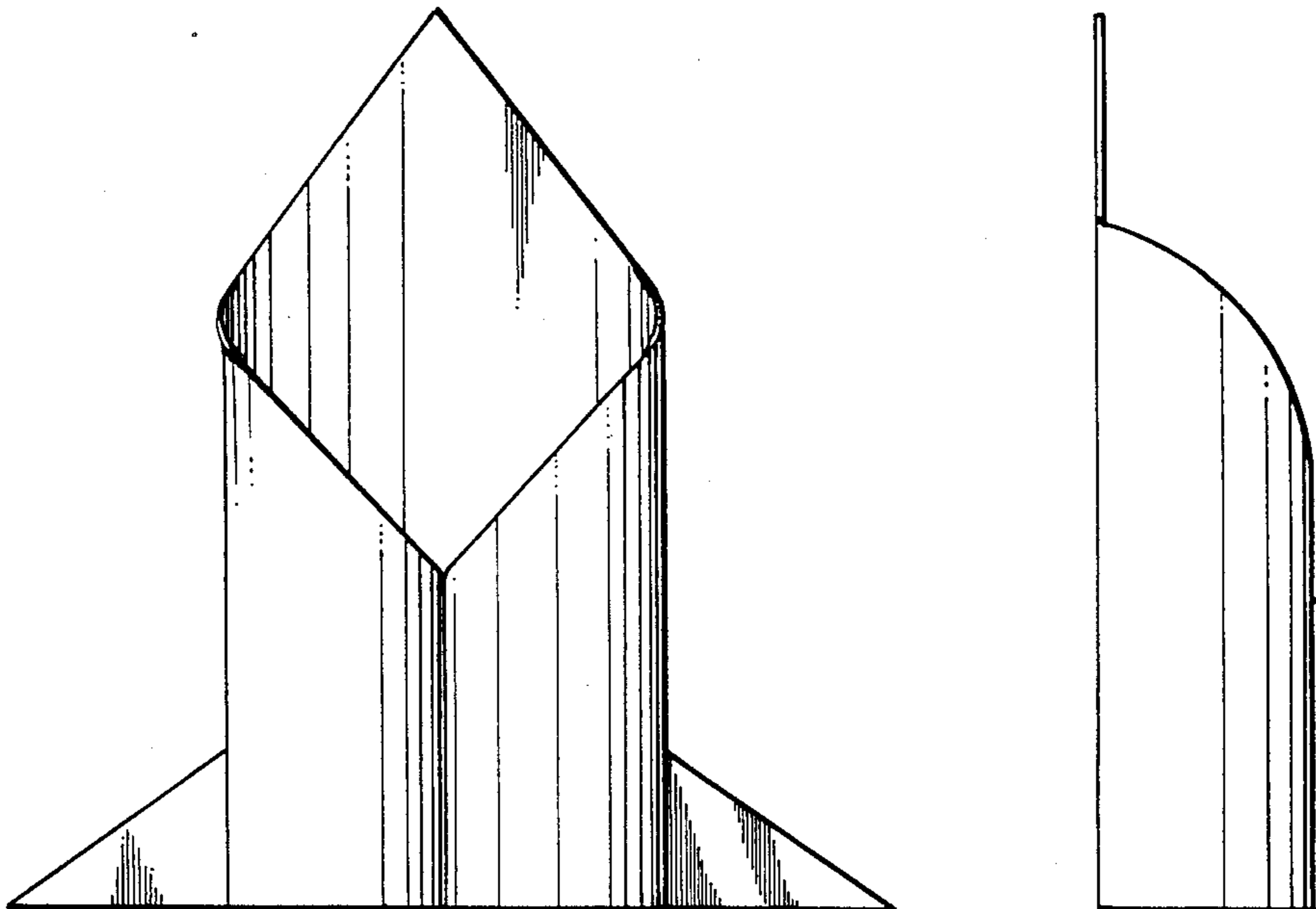
Attorney, Agent, or Firm—Birch, Stewart, Kolasch & Birch

[57] CLAIM

The ornamental design for a lamp or the like, as shown and described.

DESCRIPTION

FIG. 1 is a rear elevational view of a lamp or the like showing my new design;
 FIG. 2 is a left side elevational view thereof, the right side being a mirror image;
 FIG. 3 is a top plan view thereof;
 FIG. 4 is a bottom plan view thereof;
 FIG. 5 is a front elevational view thereof;
 FIG. 6 is a rear elevational view of a second embodiment of my new design;
 FIG. 7 is a left side elevational view thereof, the right side being a mirror image.
 FIG. 8 is a front elevational view thereof;
 FIG. 9 is a top plan view thereof; and
 FIG. 10 is a bottom plan view thereof.



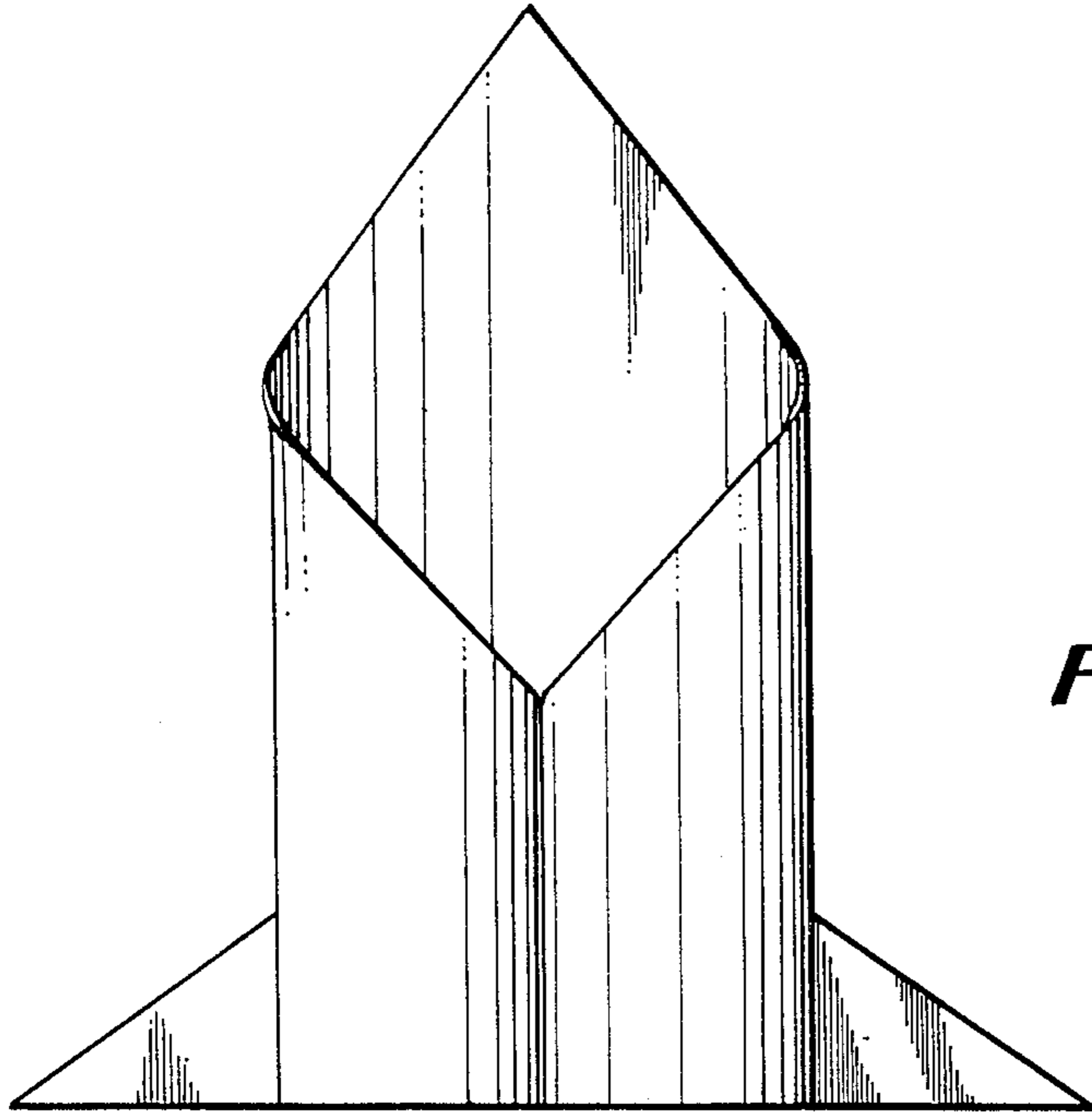


FIG. 5

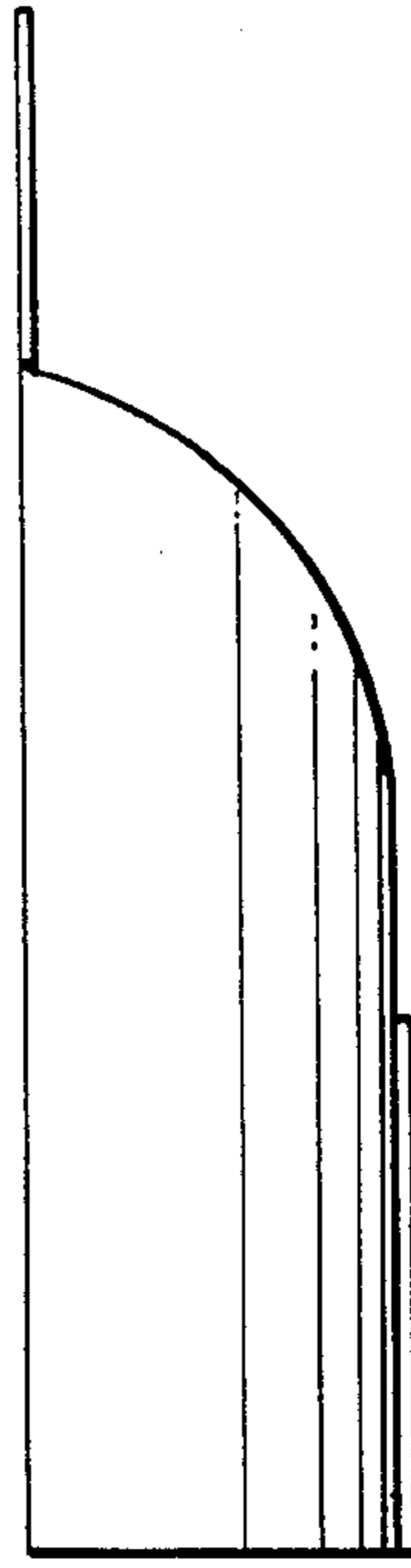


FIG. 2

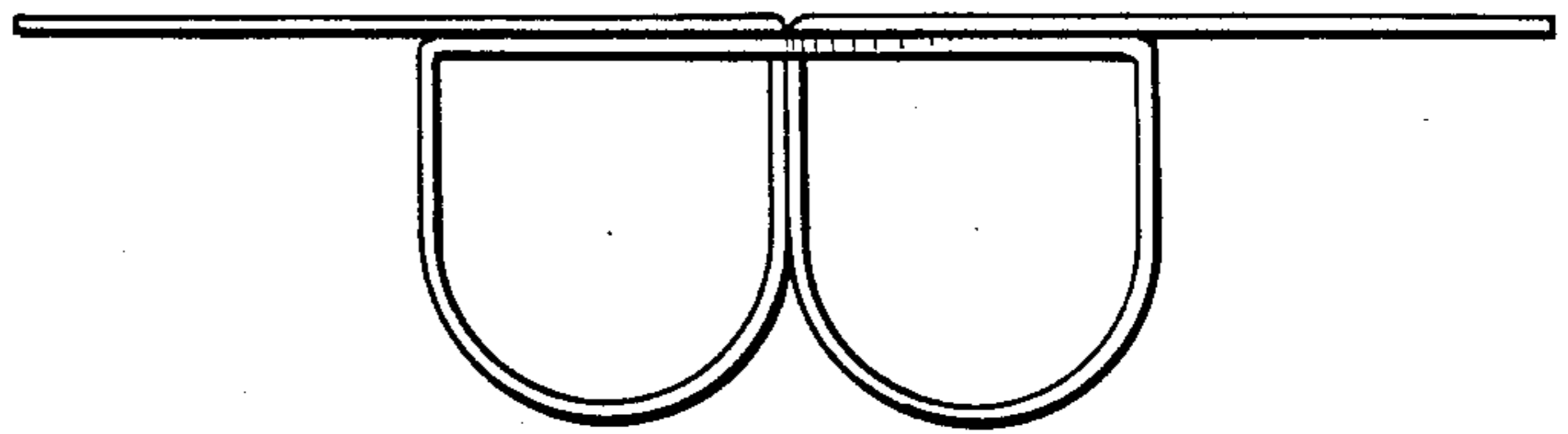


FIG. 3

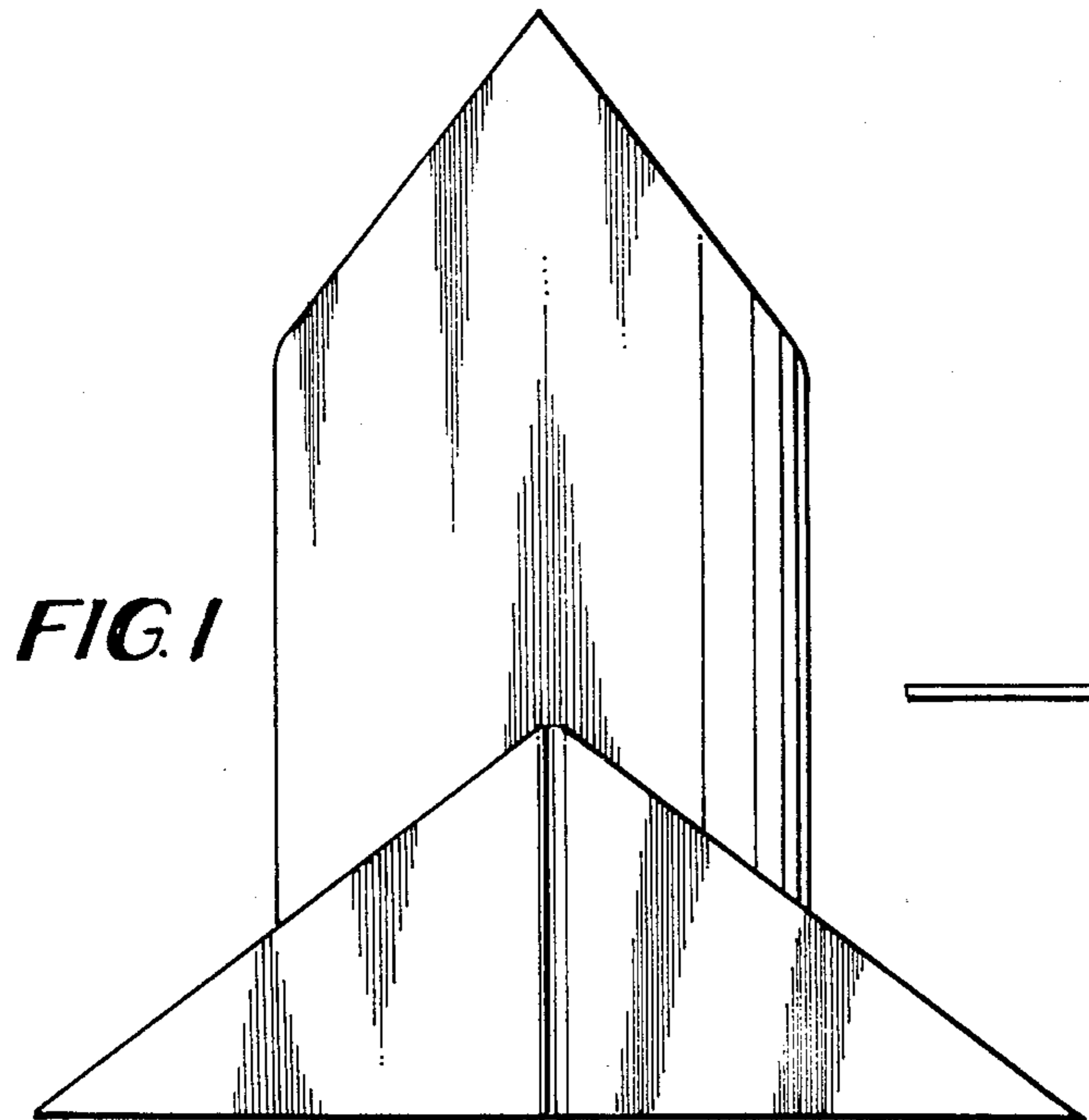


FIG. 1

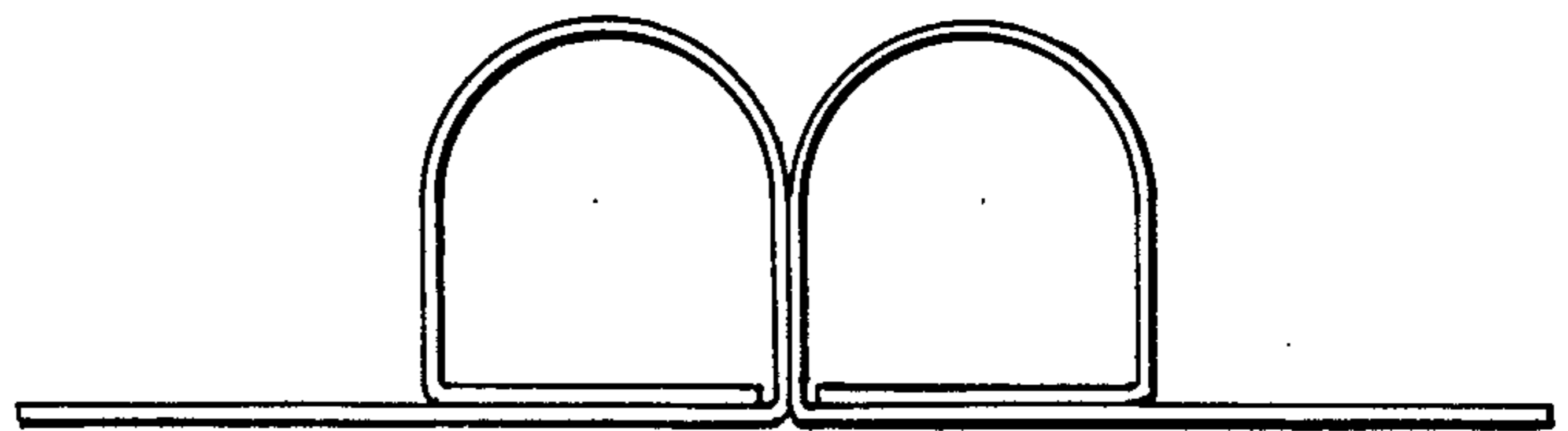


FIG. 4

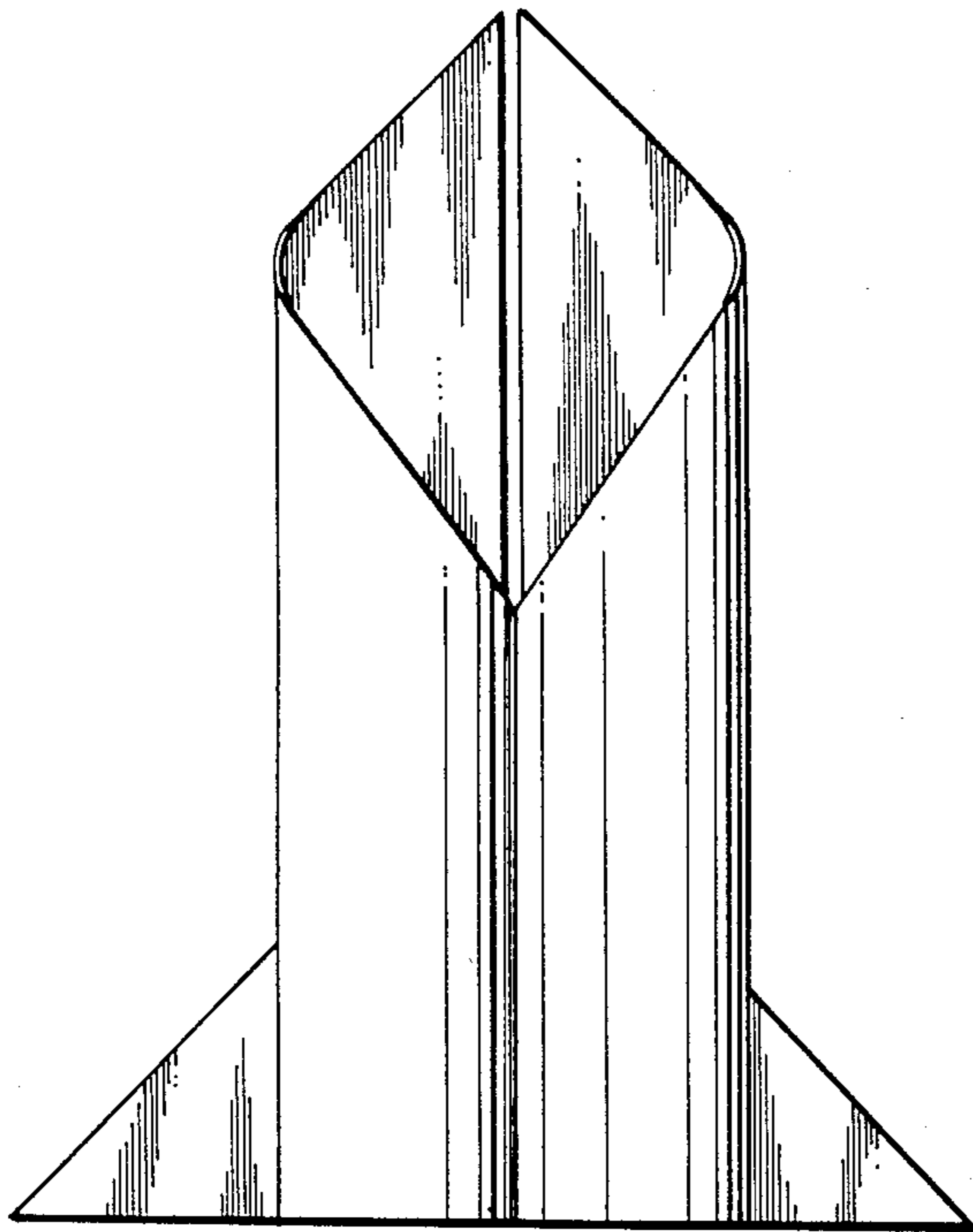


FIG. 8

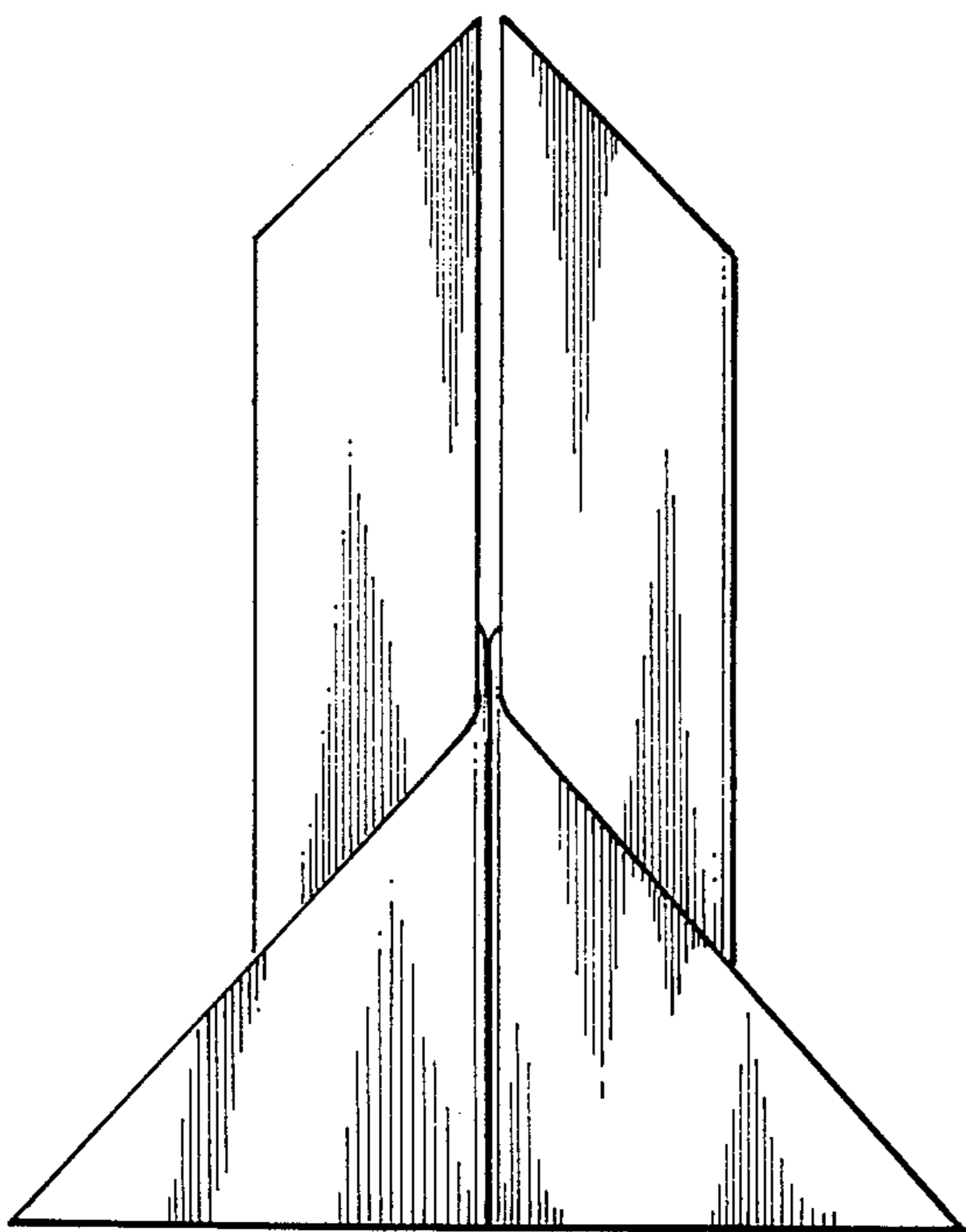


FIG. 6

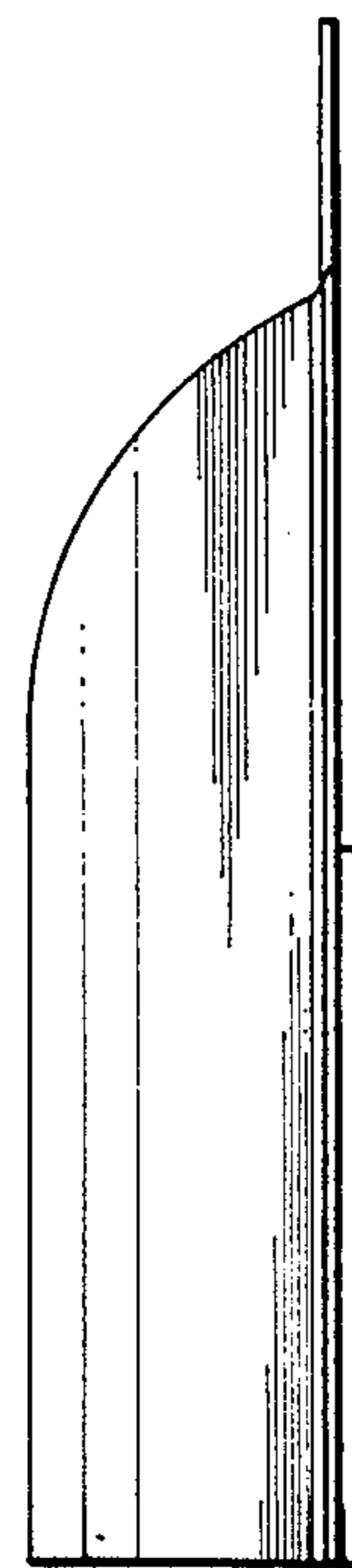


FIG. 7

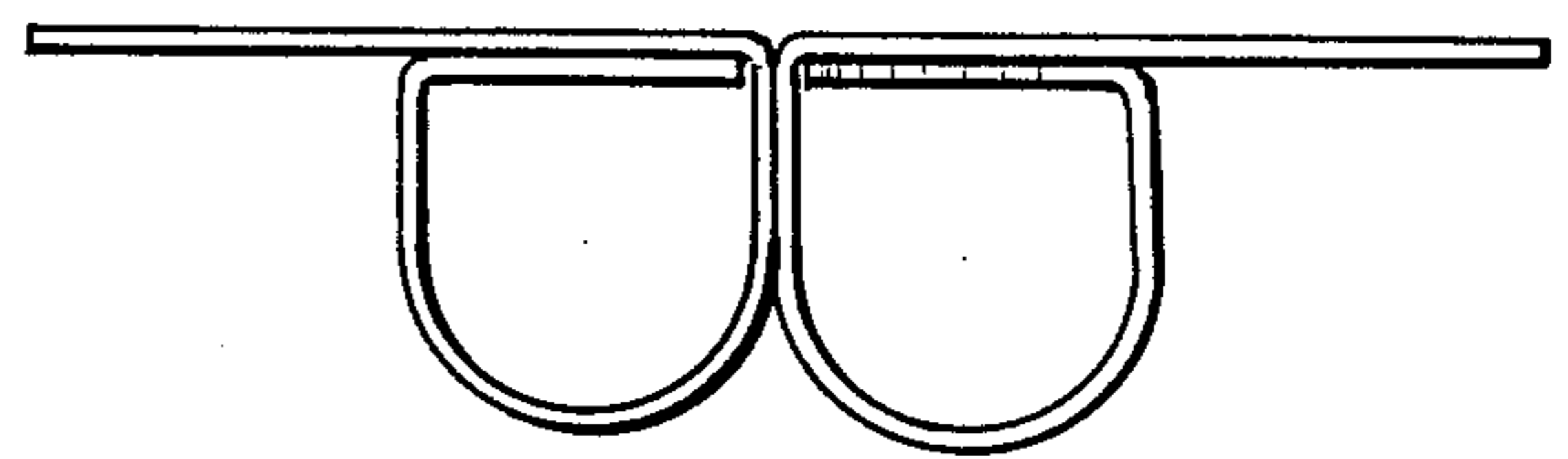


FIG. 9

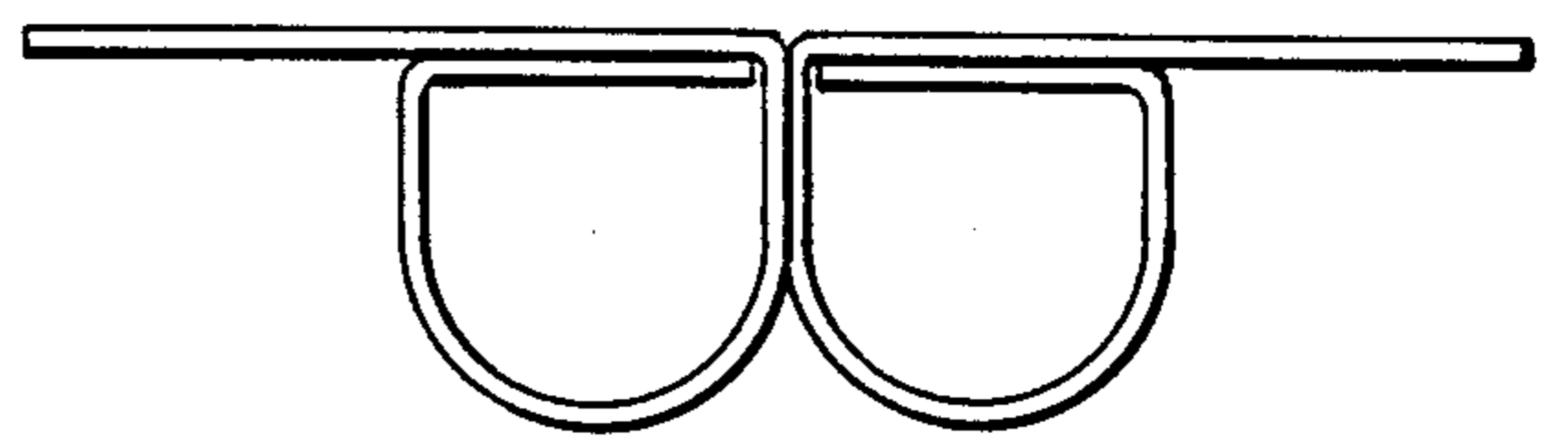


FIG. 10