

[54] **POST LANTERN OR THE LIKE**

[75] **Inventor: John Fretz, Huntingdon Valley, Pa.**

[73] **Assignee: Thomas Industries Inc., Louisville, Ky.**

[**] **Term: 14 Years**

[21] **Appl. No.: 69,956**

[22] **Filed: Jul. 6, 1987**

[52] **U.S. Cl. D26/67**

[58] **Field of Search D26/67-71;
362/431, 432, 362, 363, 310**

[56] **References Cited**

U.S. PATENT DOCUMENTS

D. 199,144 9/1964 Daum D26/67

OTHER PUBLICATIONS

Del-Val Lighting catalog #643, 1964, p. 19, post lantern #1160.

Emco Cubicone Luminaires catalog, ©1985, p. 3, Victorian Cubicone (cv) post lantern.

Viriden Light Idea catalog ©1963, p. 65, wall lantern #V-7131.

"Thomas 1975" Lighting catalog, hanging lantern.

Primary Examiner—Susan J. Lucas

Attorney, Agent, or Firm—Hill, Van Santen, Steadman & Simpson

[57] **CLAIM**

The ornamental design for a post lantern or the like, as shown and described.

DESCRIPTION

FIG. 1 is a front elevational view of a post lantern or the like showing my new design, the rear being identical; FIG. 2 is a side elevational view thereof, the opposite side being identical;

FIG. 3 is a top plan view thereof; and

FIG. 4 is a bottom plan view thereof.

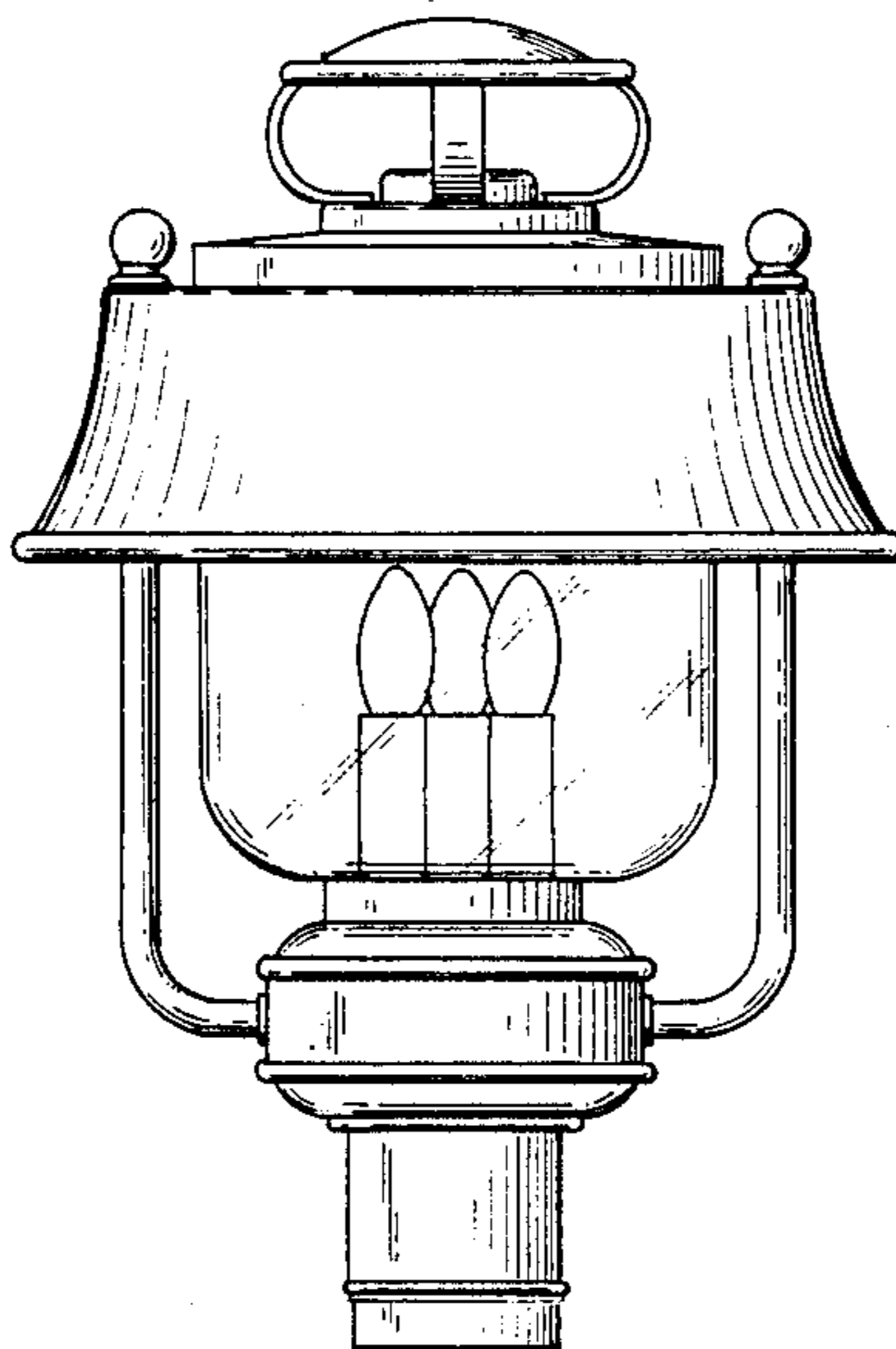


FIG. 1

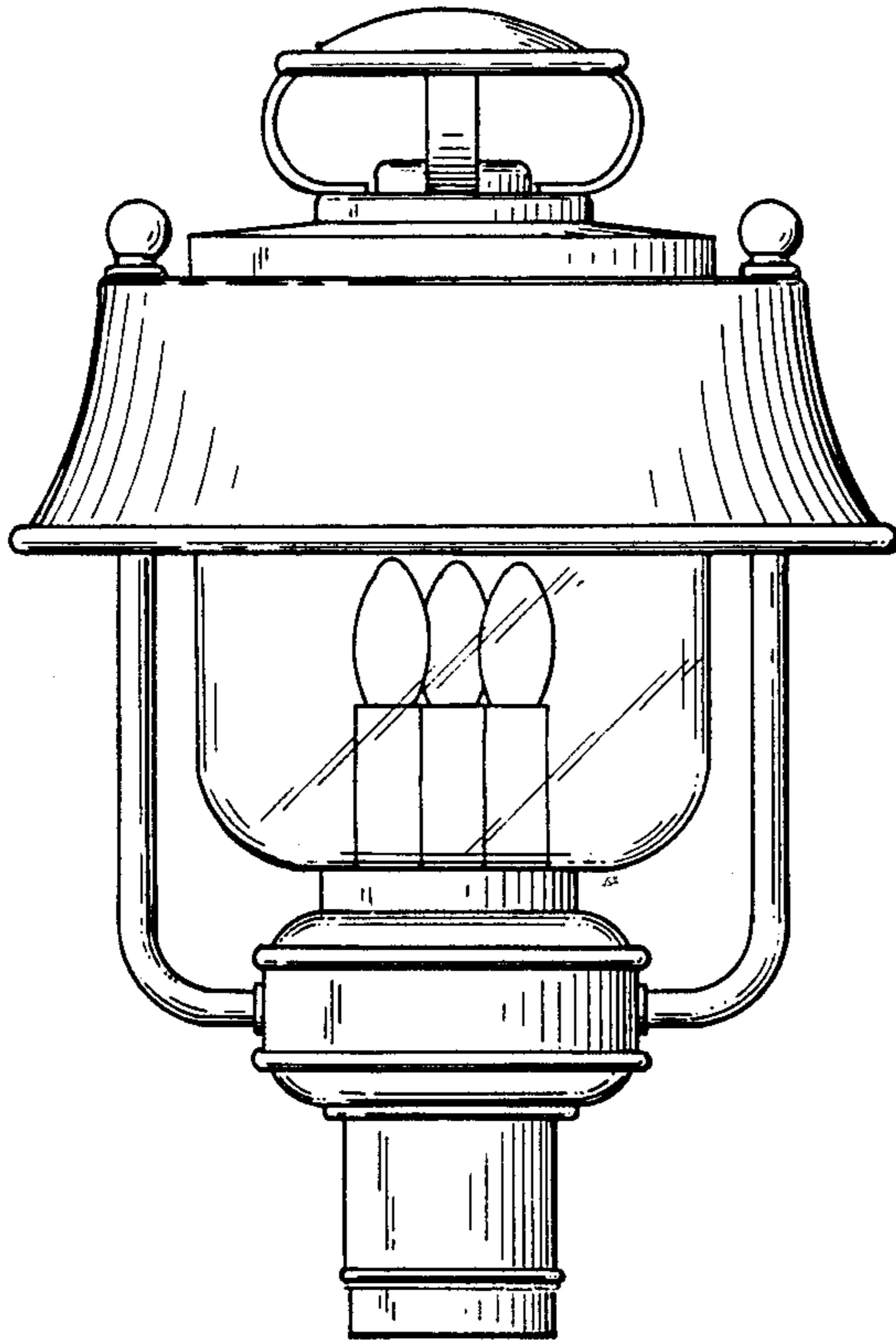


FIG. 2

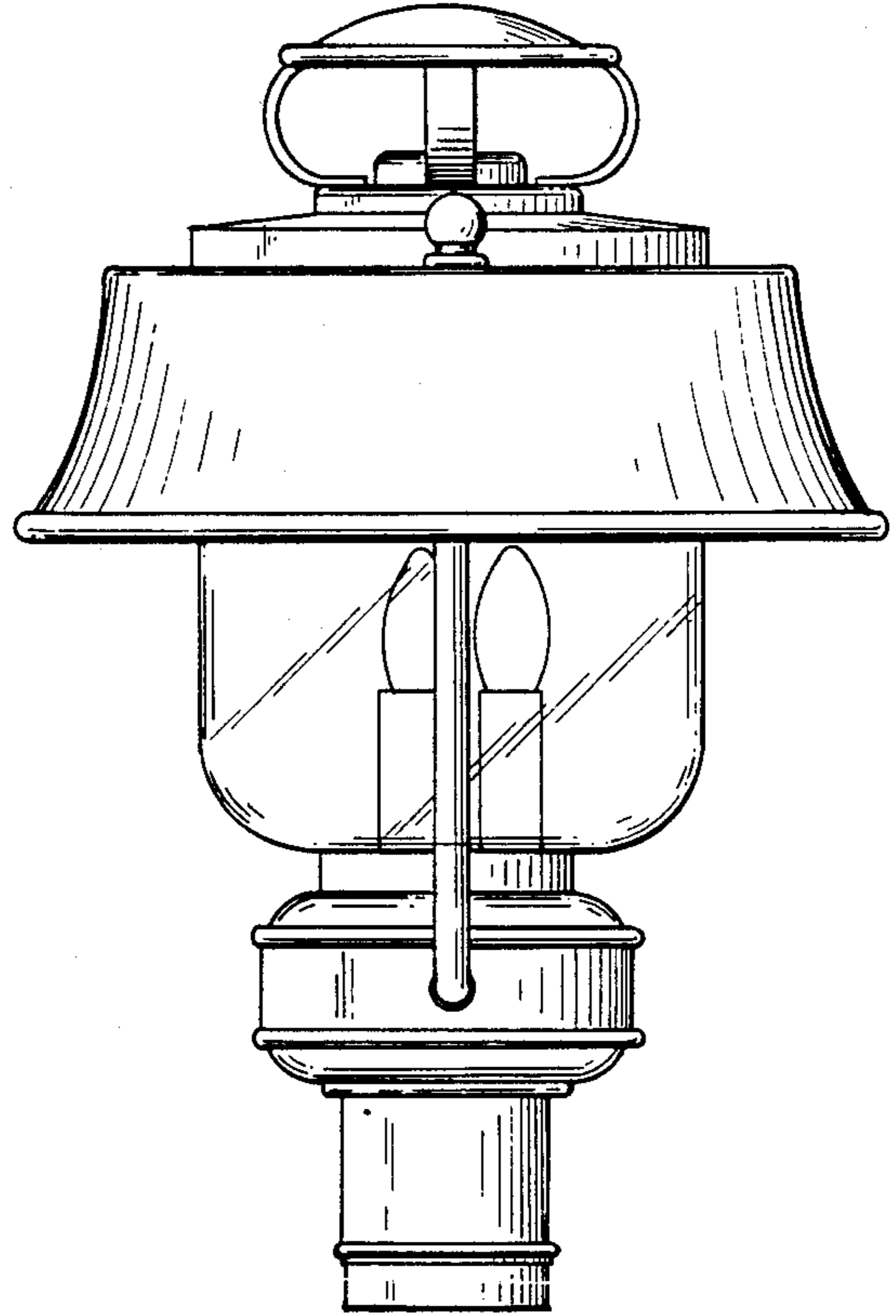


FIG. 3

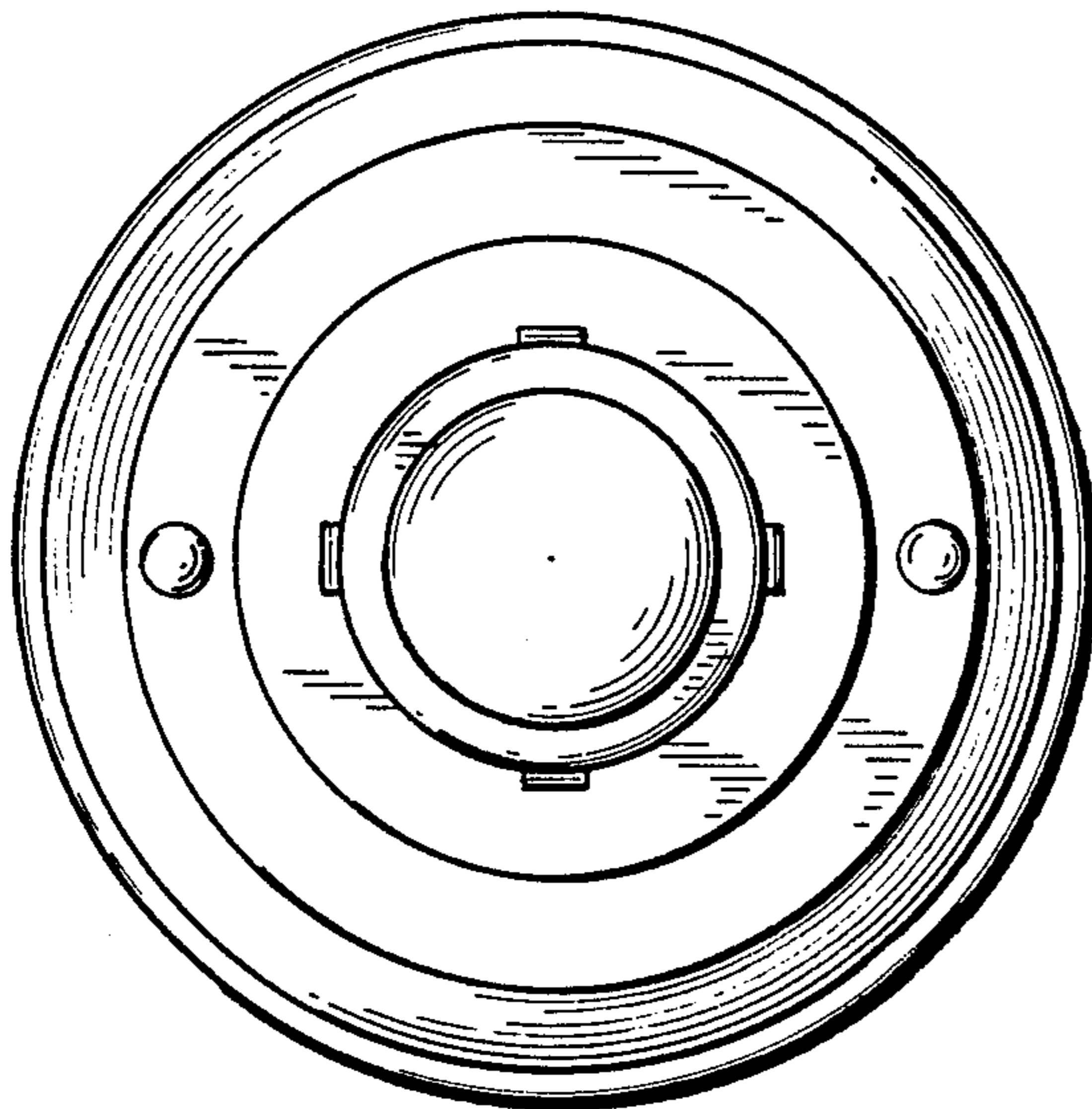


FIG. 4

