

[54] POST LANTERN OR THE LIKE

[75] Inventors: John Fretz, Huntington Valley, Pa.; Vince DiCola, Louisville, Ky.

[73] Assignee: Thomas Industries, Inc., Louisville, Ky.

[\*\*] Term: 14 Years

[21] Appl. No.: 69,953

[22] Filed: Jul. 6, 1987

[52] U.S. Cl. .... D26/67

[58] Field of Search ..... D26/67-71; 362/431, 433, 362, 363, 310

[56] References Cited

U.S. PATENT DOCUMENTS

D. 199,144 9/1964 Daum ..... D26/67  
1,545,711 7/1925 Townsend ..... D26/68 X

OTHER PUBLICATIONS

Del-Val Lighting catalog, #643, 1964, p. 19, post lantern #1160.

Emco Cubicone Luminaires catalog ©1985, p. 3, Victorian Cubicone (CV) post lantern.

Light & Lighting, 5-1954, p. XVII, post lantern.

"Thomas 1979" Lighting catalog, lanterns.

Primary Examiner—Susan J. Lucas

Attorney, Agent, or Firm—Hill, Van Santen, Steadman & Simpson

[57] CLAIM

The ornamental design for a post lantern or the like, as shown and described.

DESCRIPTION

FIG. 1 is a front elevational view of a post lantern or the like showing my new design, the rear being identical; FIG. 2 is a side elevational view thereof, the opposite side being identical.

FIG. 3 is a top plan view thereof; and FIG. 4 is a bottom plan view thereof.

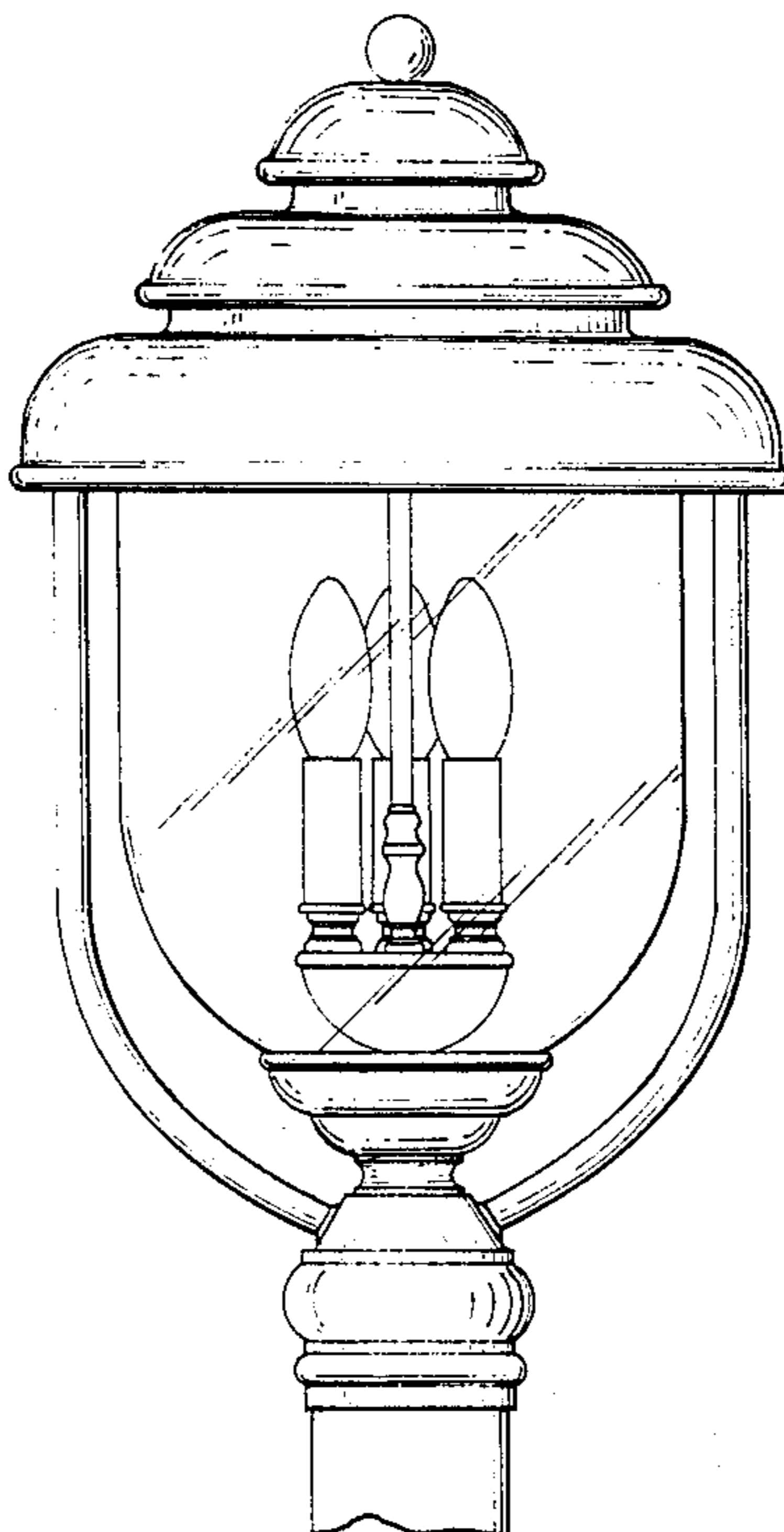


FIG. 1

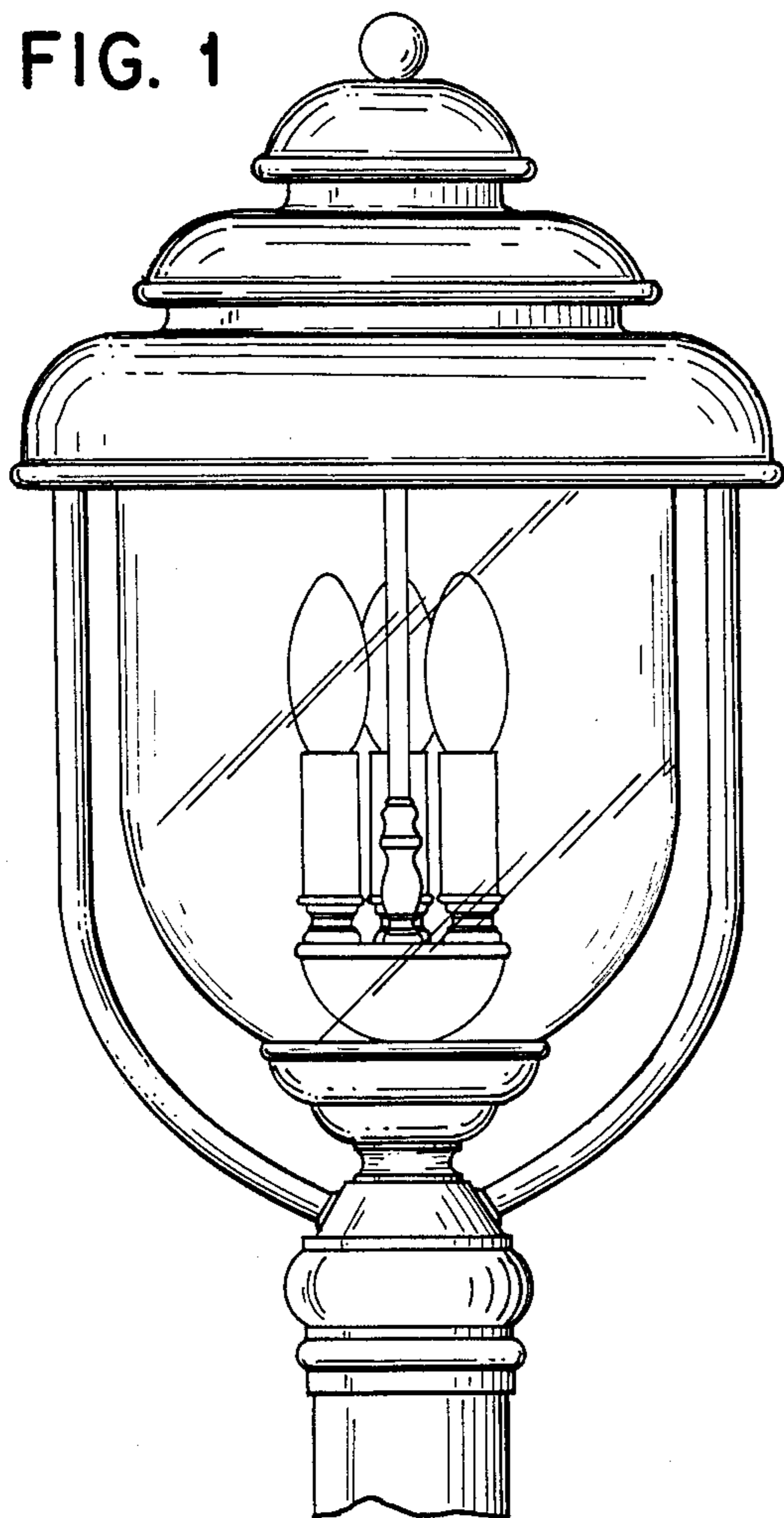


FIG. 2

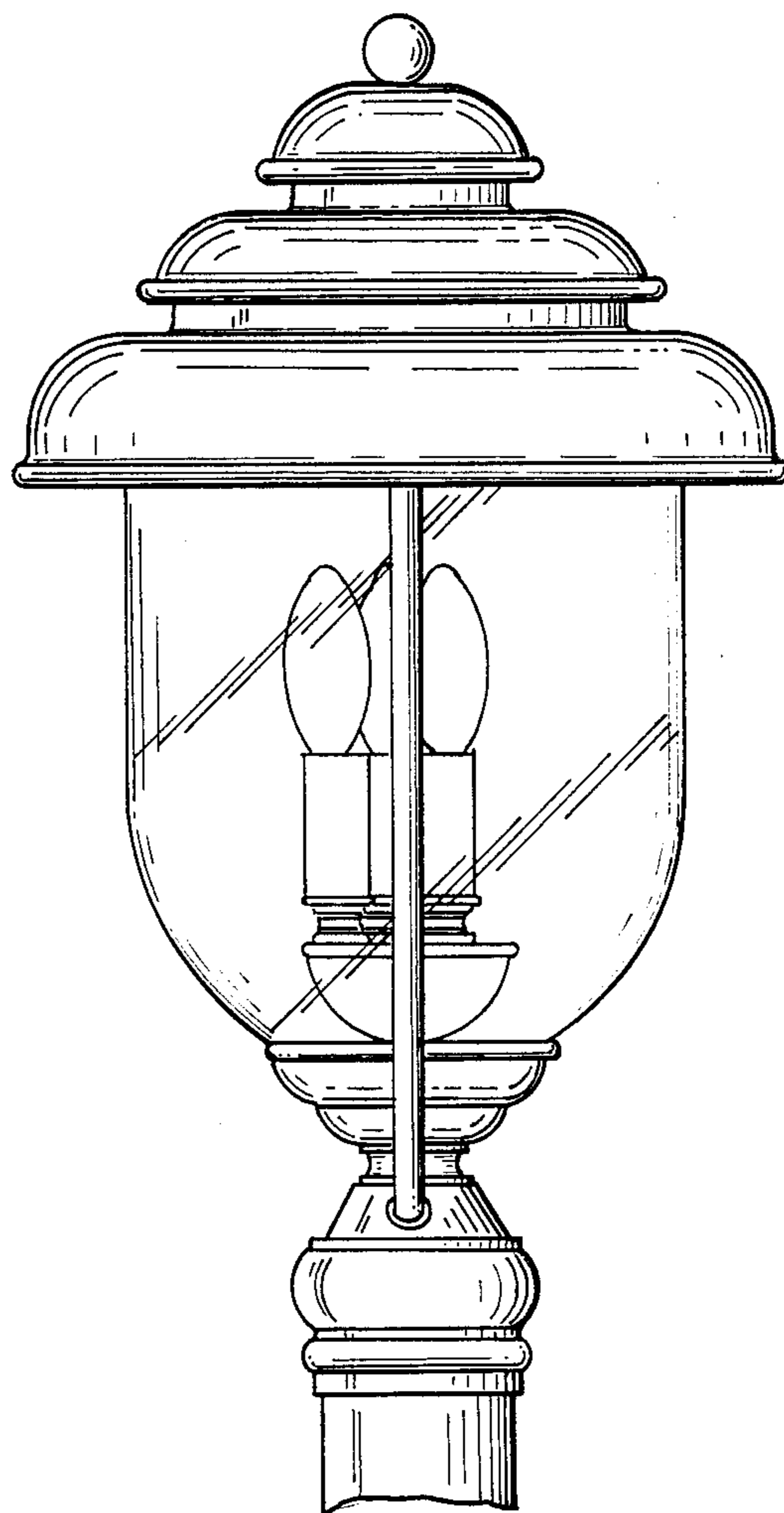


FIG. 3

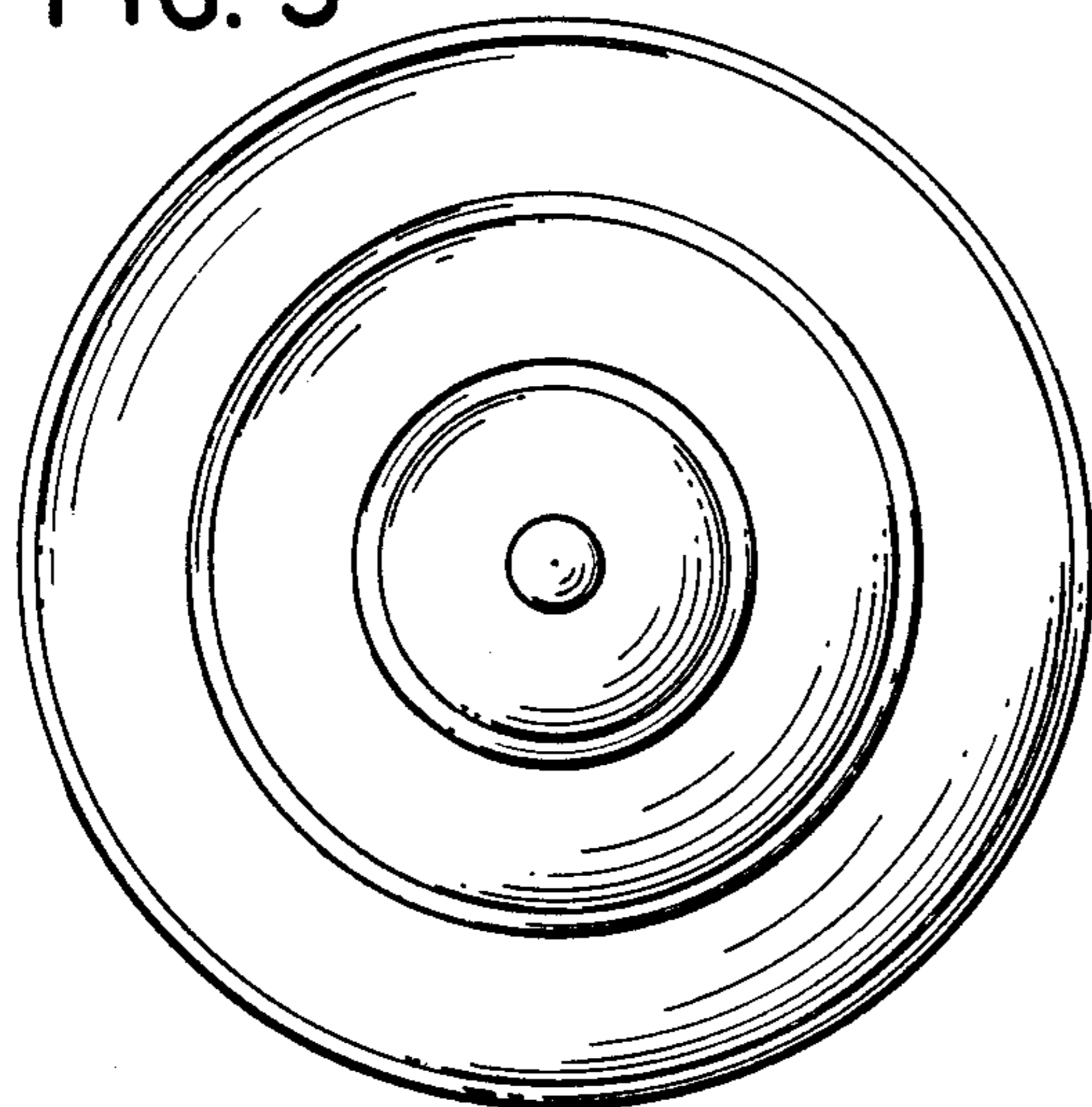


FIG. 4

